

US00D798291S

(12) **United States Design Patent** (10) **Patent No.:** **US D798,291 S**  
**Henderson et al.** (45) **Date of Patent:** **\*\* Sep. 26, 2017**

(54) **LAPTOP-TYPE COMPUTER**

- (71) Applicant: **EDAN INSTRUMENTS, INC.**,  
Shenzhen (CN)
- (72) Inventors: **Richard Henderson**, Sunnyvale, CA  
(US); **Sean Murphy**, Sunnyvale, CA  
(US)
- (73) Assignee: **EDAN INSTRUMENTS, INC.**,  
Shenzhen (CN)
- (\*\*) Term: **15 Years**
- (21) Appl. No.: **29/574,959**
- (22) Filed: **Aug. 19, 2016**

(56) **References Cited**

U.S. PATENT DOCUMENTS

D366,280 S	1/1996	Henderson	
6,067,224 A	5/2000	Nobuchi	
D456,398 S	4/2002	Horiki	
D558,754 S	1/2008	Takemasa et al.	
D572,479 S	7/2008	Buck et al.	
D606,990 S	12/2009	Chen et al.	
D613,734 S	4/2010	Sun et al.	
D627,342 S	11/2010	Lin et al.	
D631,043 S	1/2011	Kell	
D676,436 S	2/2013	Du et al.	
D682,347 S	5/2013	Haggins	
D702,679 S	4/2014	Li	
D764,454 S *	8/2016	Henderson	..... D14/324
2003/0090473 A1	5/2003	Joshi	

\* cited by examiner

**Related U.S. Application Data**

- (62) Division of application No. 29/499,429, filed on Aug. 14, 2014, now Pat. No. Des. 764,454.

(51) **LOC (10) Cl.** ..... **14-02**

(52) **U.S. Cl.**  
USPC ..... **D14/324**

(58) **Field of Classification Search**

USPC ..... D14/315-327; D18/1, 2, 7, 11;  
235/145 A, 145 R; 341/22, 23; 345/104,  
345/156, 168, 169, 173; 361/679.08,  
361/679.09, 679.11, 679.26, 679.27;  
D24/185, 186

CPC ..... G06F 1/16; G06F 1/1616; G06F 1/1626;  
G06F 1/1632; G06F 1/1613; G06F  
1/1601; G06F 1/1618; G06F 1/162; G06F  
1/166; G06F 1/1654; G06F 1/1681; G06F  
1/1637; G06F 1/1688; G06F 1/1656;  
H01R 35/02; H03M 11/00; G09B 13/04;  
H03K 17/94; G09G 5/00; F16M 11/10;  
H05K 5/00; H04M 1/0237; B41J 5/08

See application file for complete search history.

*Primary Examiner* — Freda S Nunn

(74) *Attorney, Agent, or Firm* — Gilberto M. Villacorta;  
Brett P. Belden; Foley & Lardner LLP

(57) **CLAIM**

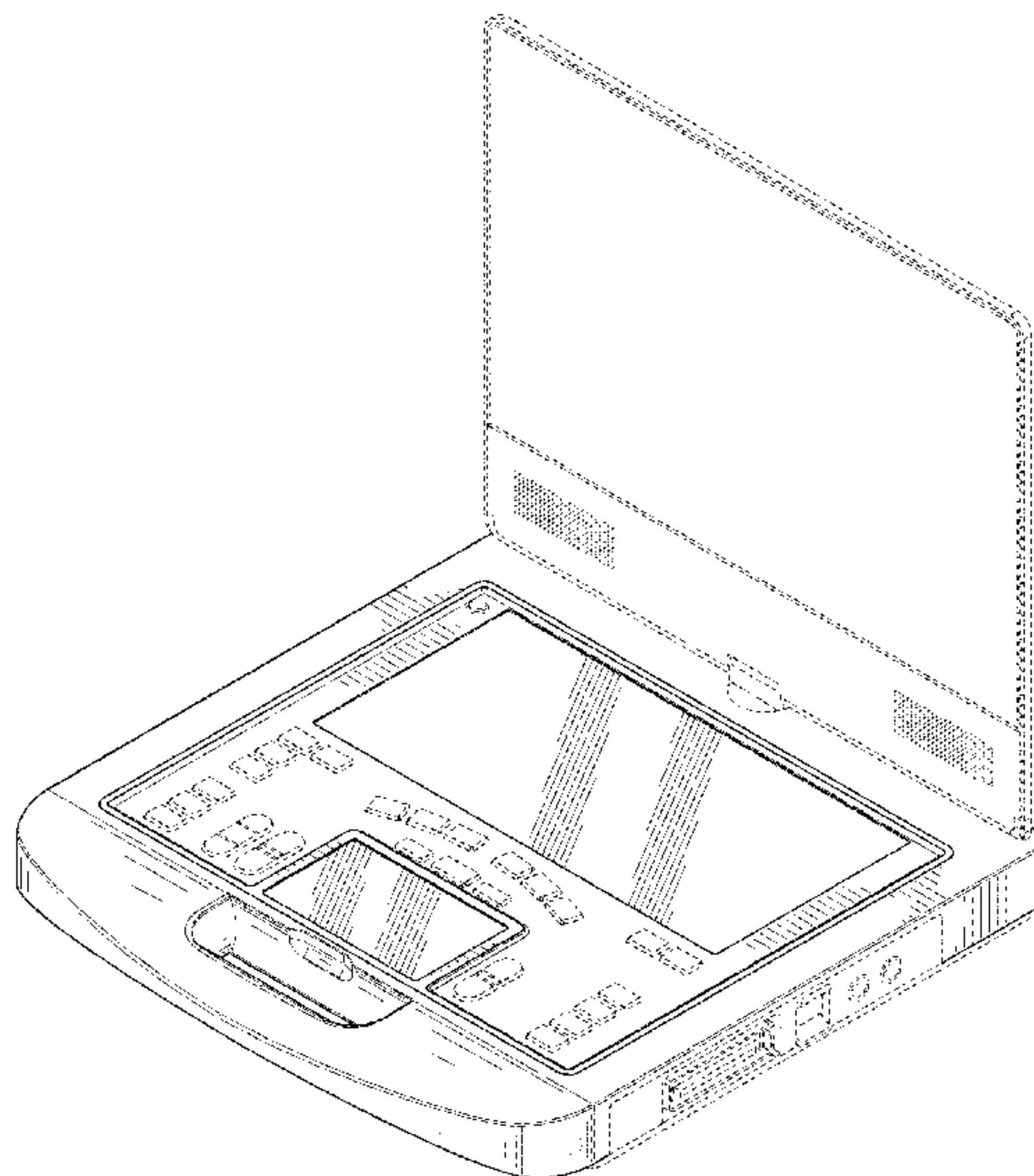
We claim the ornamental design for a laptop-type computer, as shown and described.

**DESCRIPTION**

FIG. 1 is a top, front, right perspective view of the claimed design;  
FIG. 2 is a front elevation view thereof;  
FIG. 3 is a rear elevation view thereof;  
FIG. 4 is a left elevation view thereof;  
FIG. 5 is a right elevation view thereof;  
FIG. 6 is a top plan view thereof; and,  
FIG. 7 is a bottom plan view thereof.

The ornamental design which is claimed is shown in solid lines in the drawings. Broken lines formed by equal length dashes show unclaimed portions of the design. While the dash-dot-dash lines show boundaries between the claimed and unclaimed portions of the design.

**1 Claim, 7 Drawing Sheets**



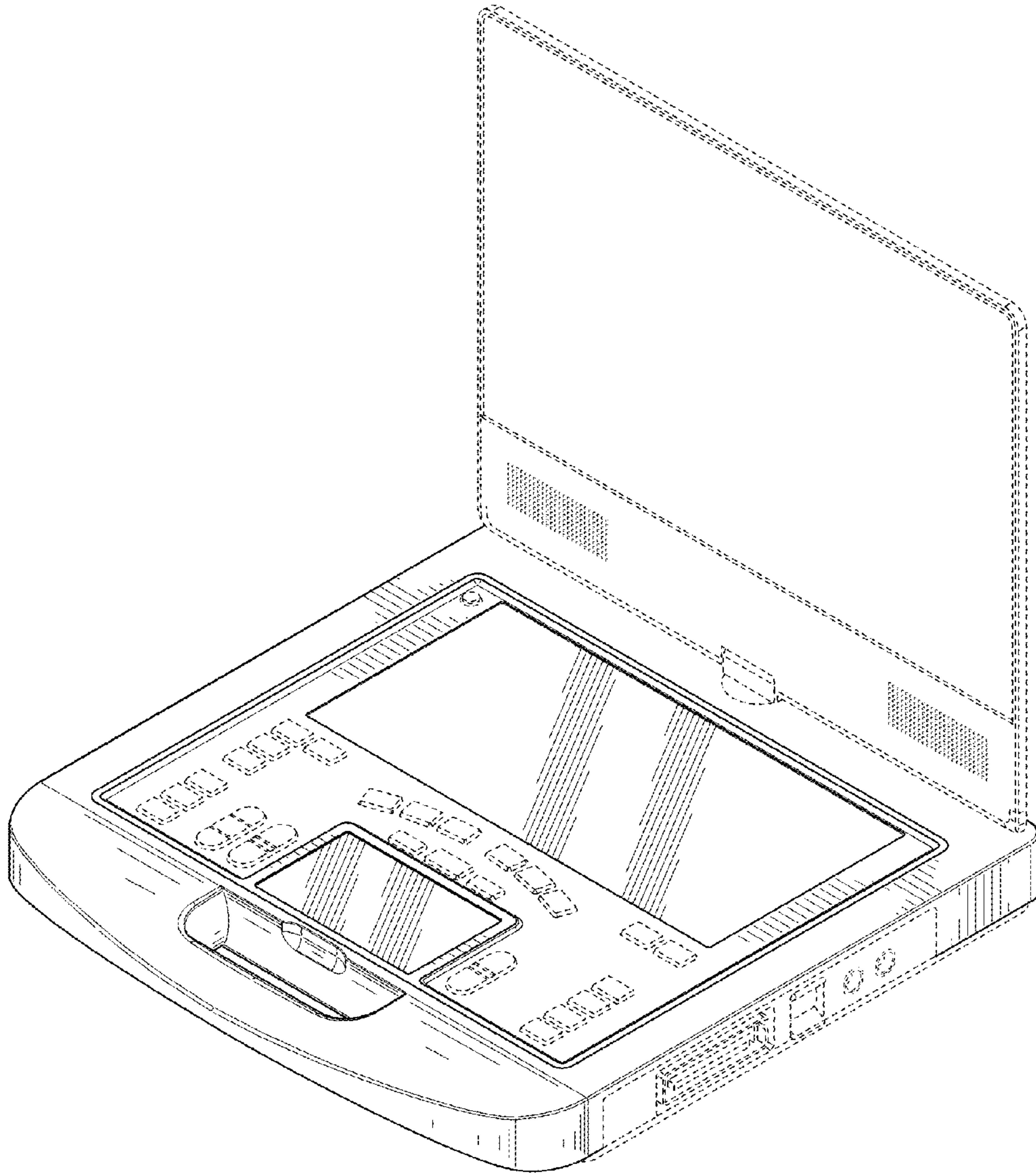


FIG. 1

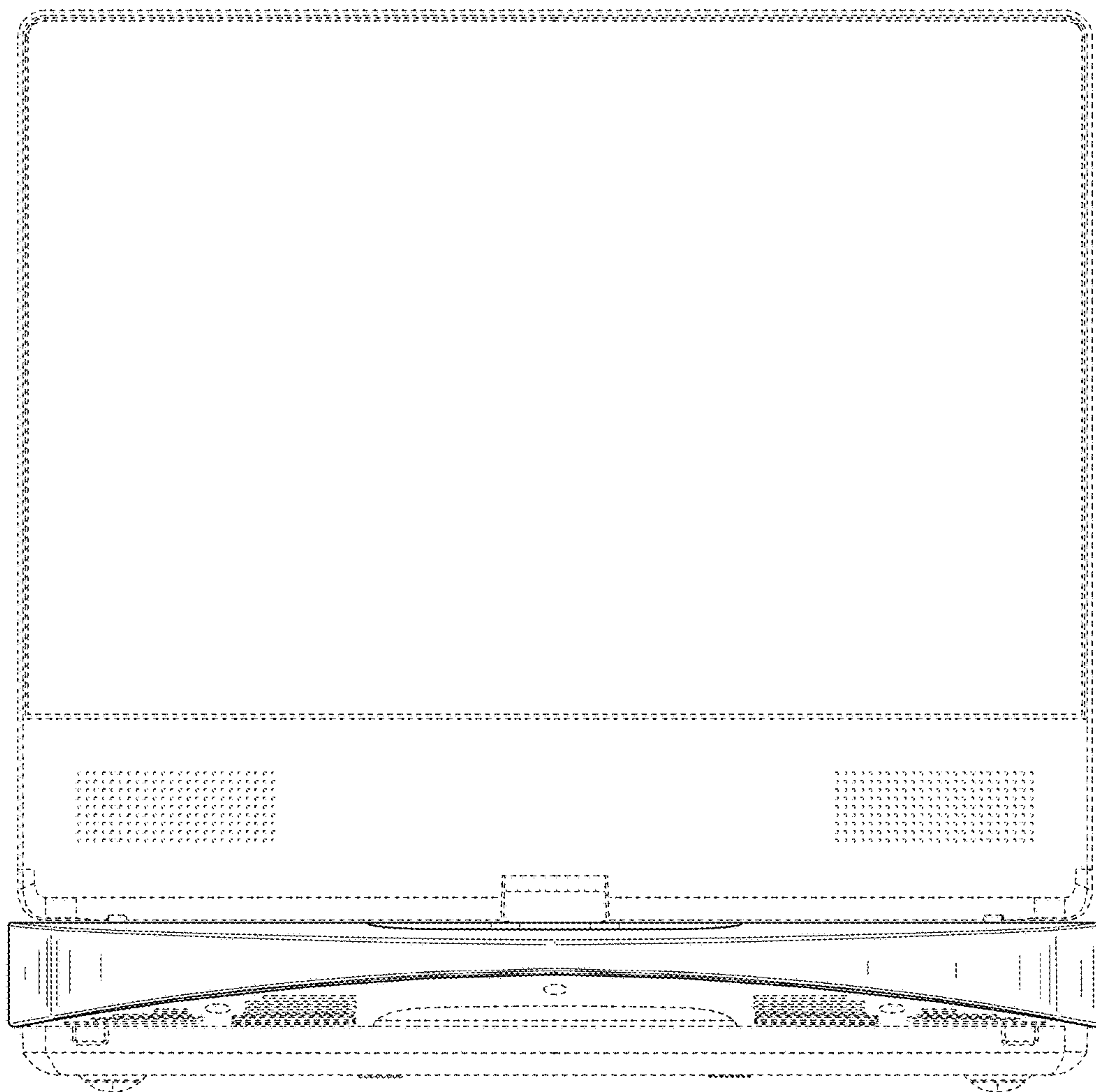


FIG. 2

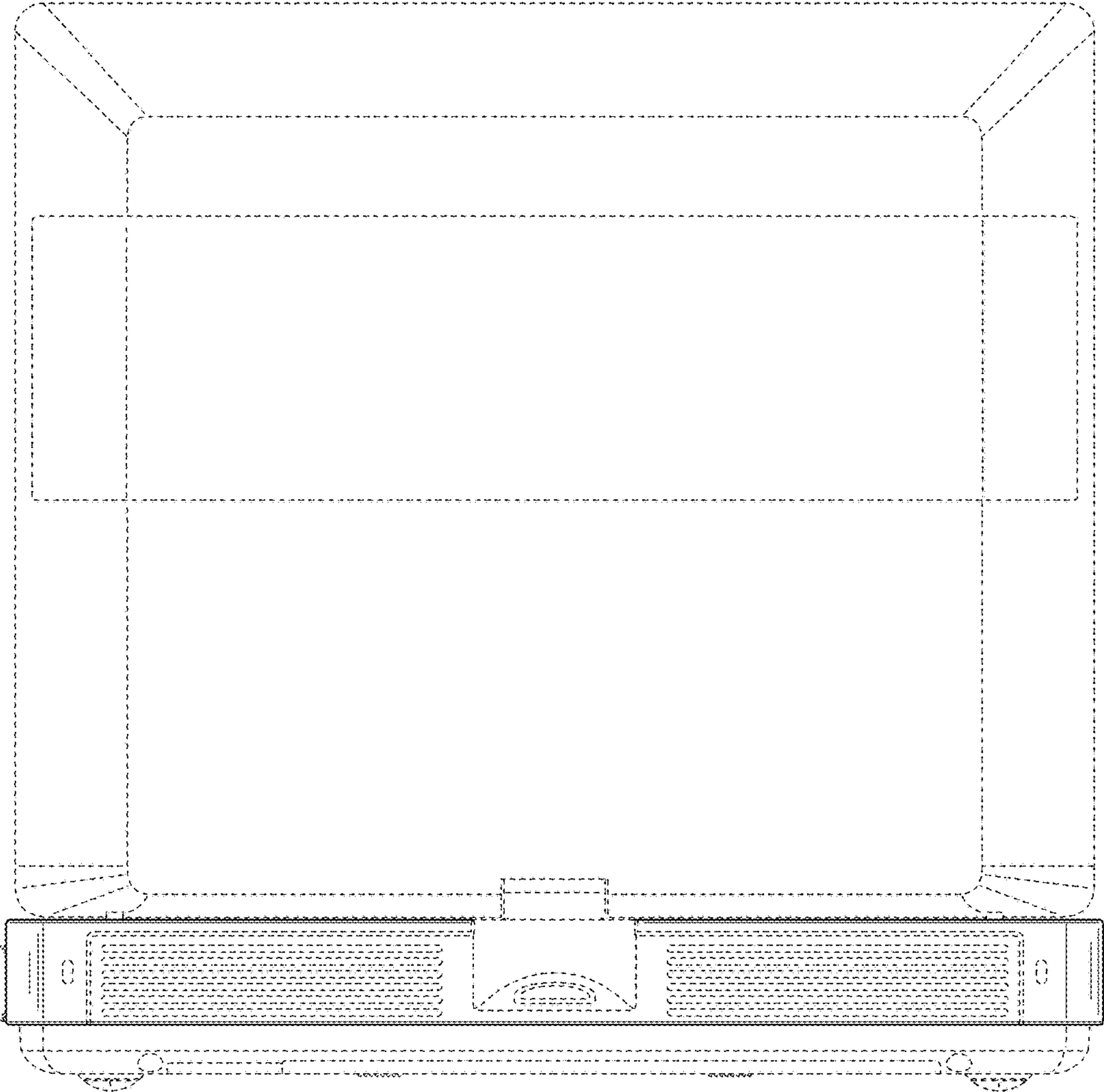


FIG. 3



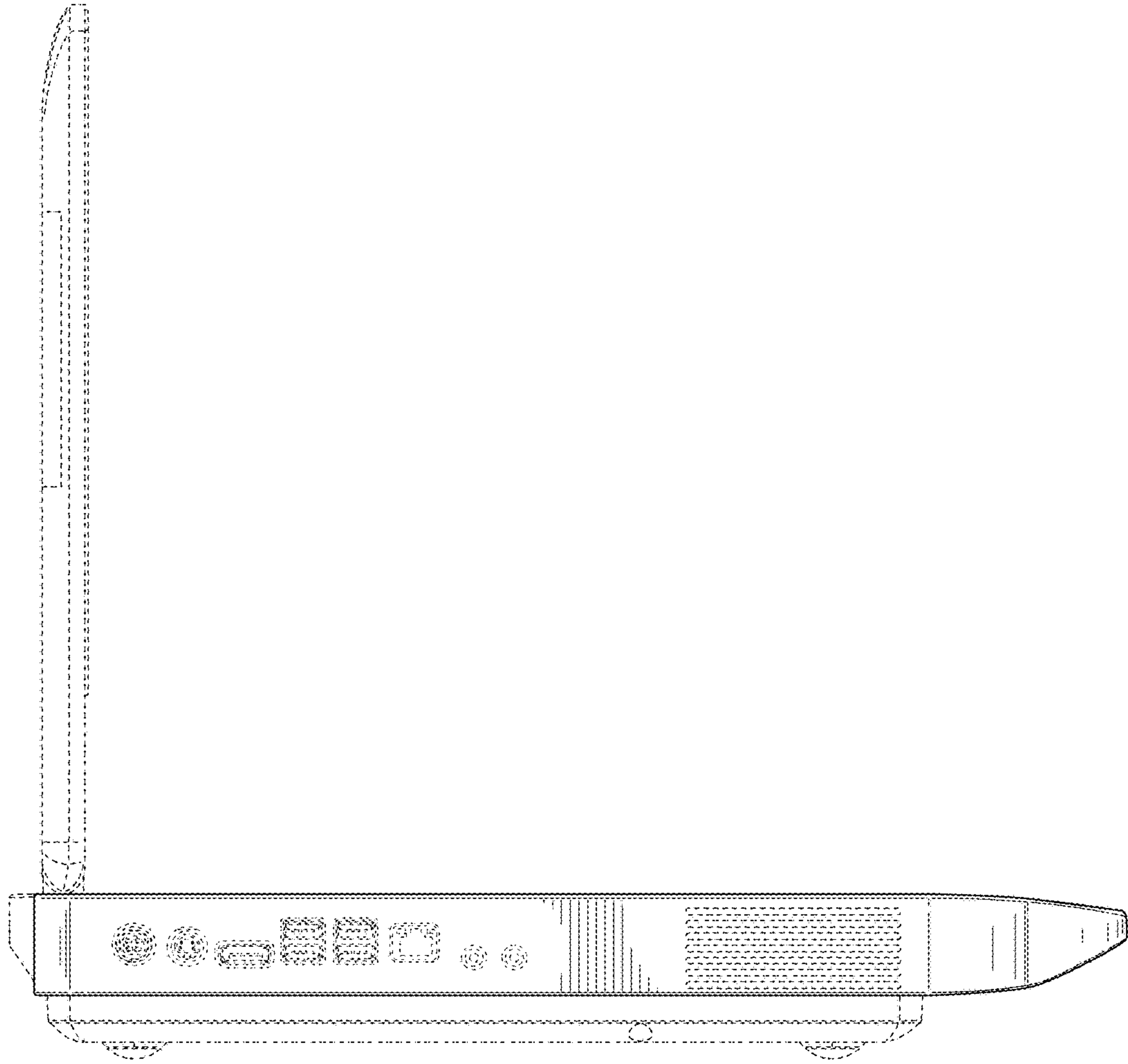


FIG. 4

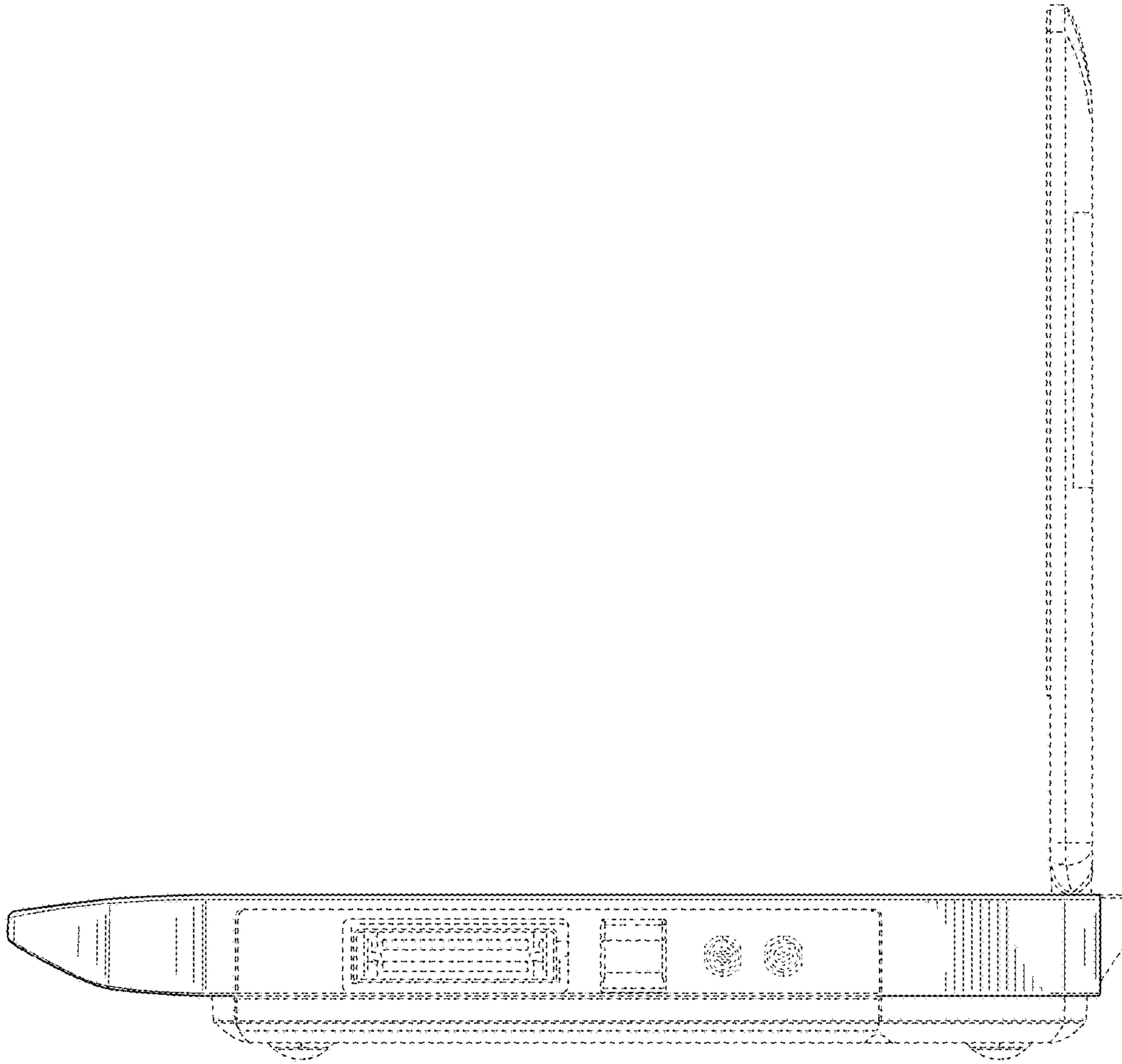


FIG. 5

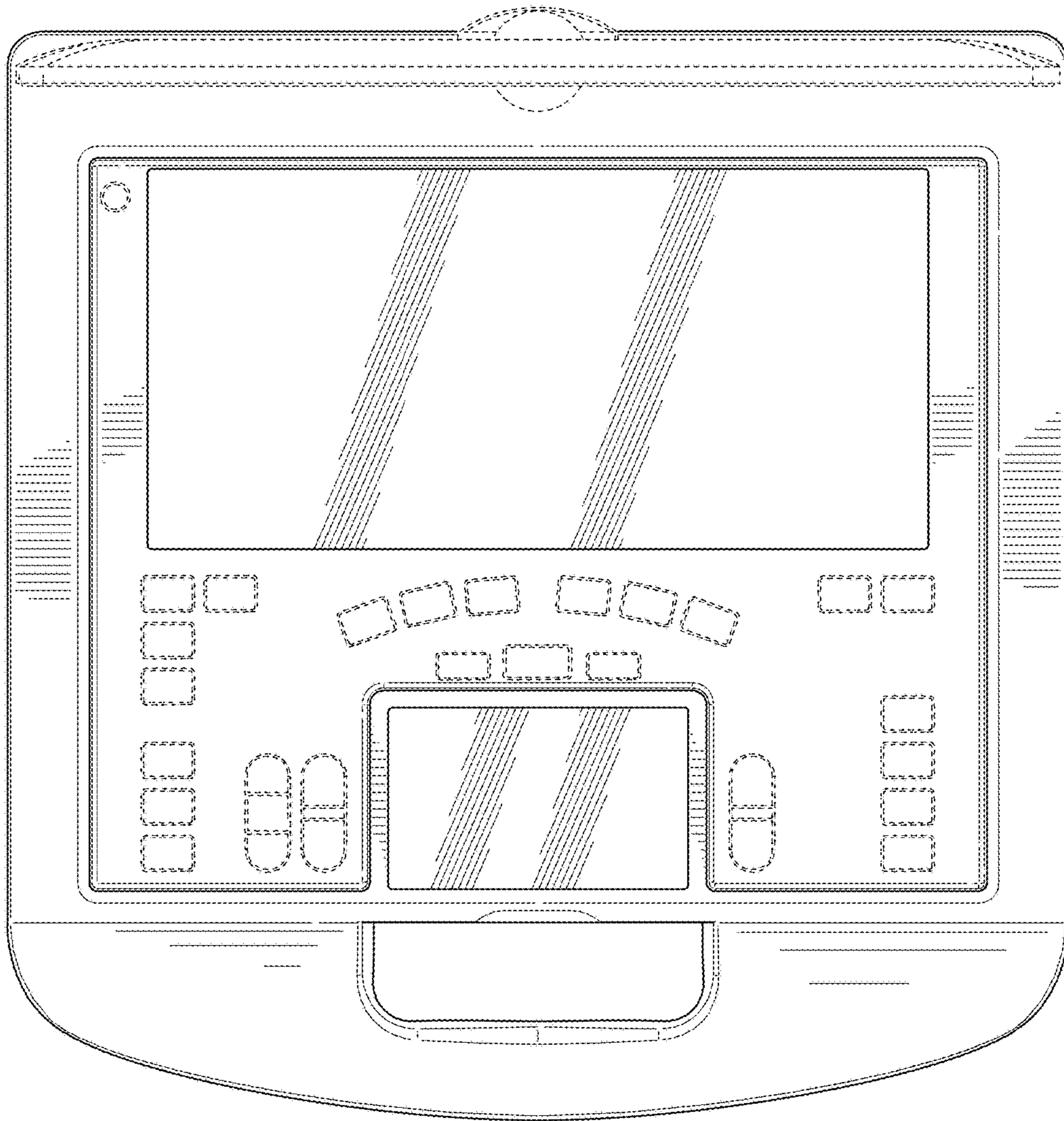


FIG. 6

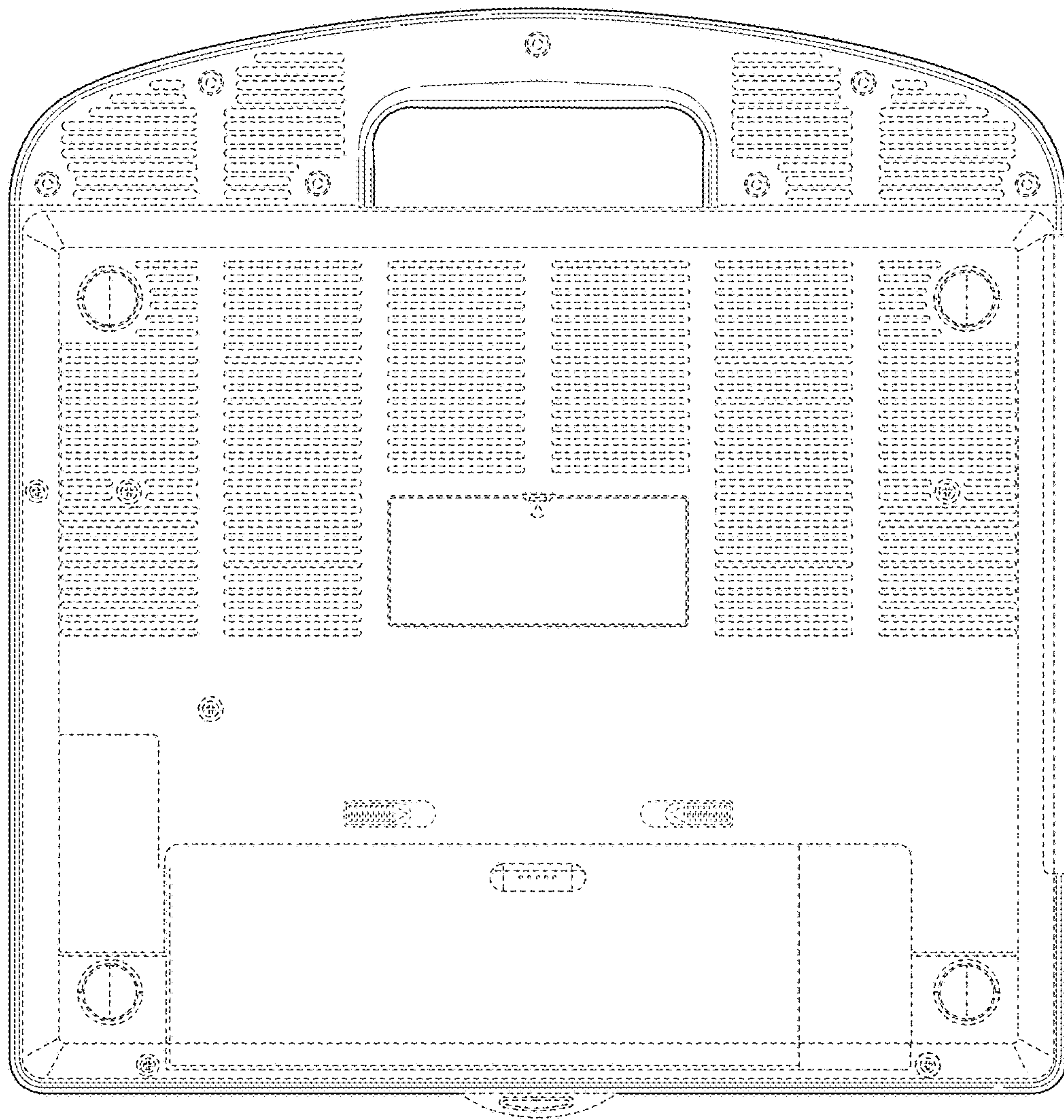


FIG. 7