



US00D798290S

(12) **United States Design Patent** (10) **Patent No.:** **US D798,290 S**
Henderson et al. (45) **Date of Patent:** **** Sep. 26, 2017**

(54) **LAPTOP-TYPE COMPUTER**

H03K 17/94; G09G 5/00; F16M 11/10;
H05K 5/00; H04M 1/0237; B41J 5/08

See application file for complete search history.

(71) Applicant: **EDAN INSTRUMENTS, INC.**,
Shenzhen (CN)

(56) **References Cited**

(72) Inventors: **Richard Henderson**, Sunnyvale, CA
(US); **Sean Murphy**, Sunnyvale, CA
(US)

U.S. PATENT DOCUMENTS

D366,280 S	1/1996	Henderson
6,067,224 A	5/2000	Nobuchi
D606,990 S	12/2009	Chen et al.
D627,342 S	11/2010	Lin et al.
D631,043 S	1/2011	Kell
D676,436 S	2/2013	Du et al.

(Continued)

(73) Assignee: **EDAN INSTRUMENTS, INC.**,
Shenzhen (CN)

(**) Term: **15 Years**

OTHER PUBLICATIONS

(21) Appl. No.: **29/565,073**

U.S. Appl. No. 29/499,429, filed Aug. 14, 2014, Henderson et al.

(22) Filed: **May 17, 2016**

Primary Examiner — Freda S Nunn

(74) *Attorney, Agent, or Firm* — Gilberto M. Villacorta;
Brett P. Belden; Foley & Lardner LLP

Related U.S. Application Data

(62) Division of application No. 29/499,431, filed on Aug.
14, 2014, now Pat. No. Des. 757,711.

(57) **CLAIM**

We claim the ornamental design for a laptop-type computer,
as shown and described.

(51) **LOC (10) Cl.** **14-02**

DESCRIPTION

(52) **U.S. Cl.**

USPC **D14/324**

(58) **Field of Classification Search**

USPC D14/315-327; D18/1, 2, 7, 11;
235/145 A, 145 R; 341/22, 23; 345/104,
345/156, 168, 169, 173; 361/679.08,
361/679.09, 679.11, 679.26, 679.27;
D24/185, 186

FIG. 1 is a top, front, right perspective view of the claimed
design;

FIG. 2 is a front elevation view thereof;

FIG. 3 is a rear elevation view thereof;

FIG. 4 is a left elevation view thereof;

FIG. 5 is a right elevation view thereof;

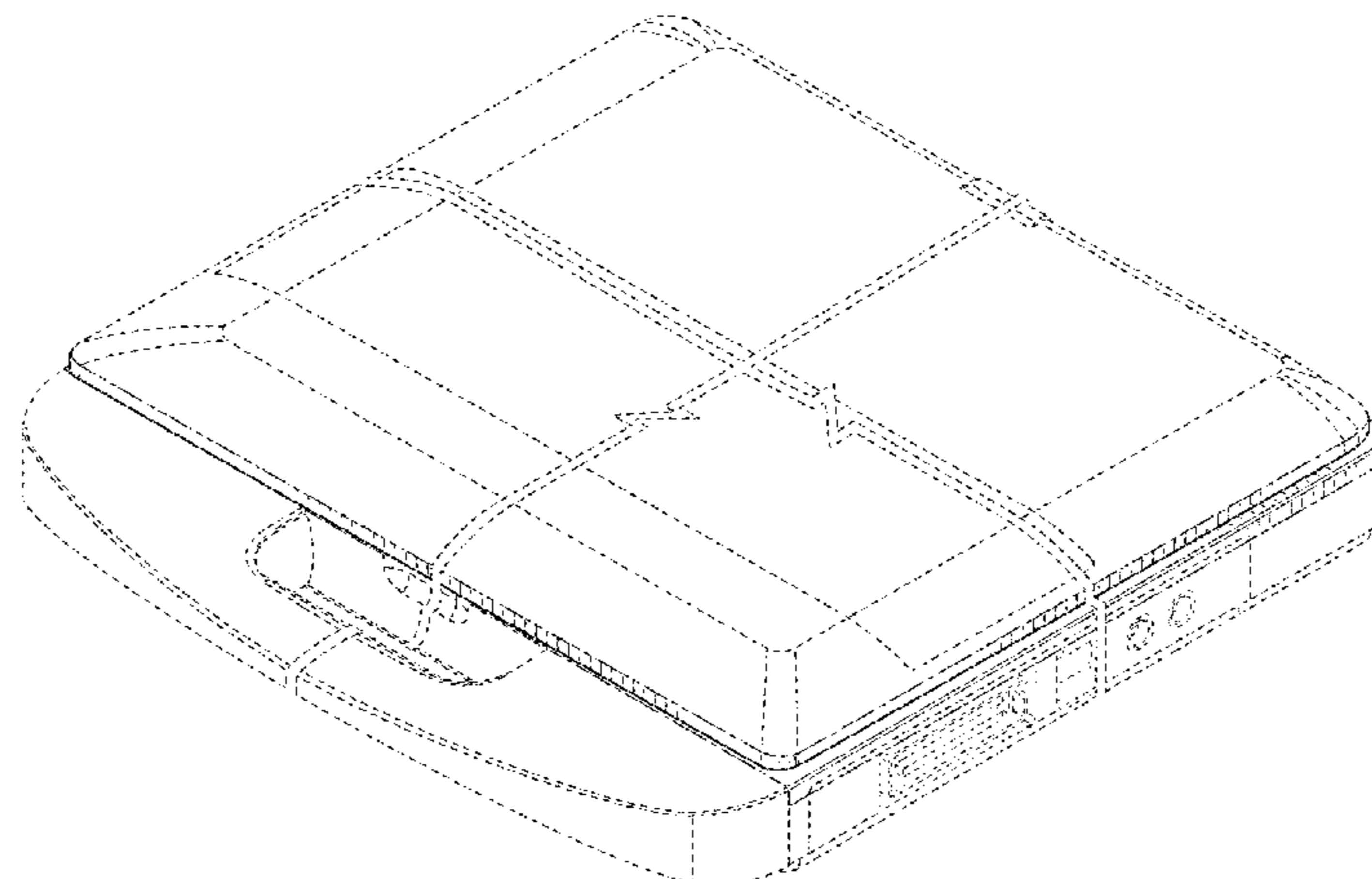
FIG. 6 is a top plan view thereof; and,

FIG. 7 is a bottom plan view thereof.

The ornamental design which is claimed is shown in solid
lines in the drawings. Broken lines formed by equal length
dashes show unclaimed portions of the design. While the
dash-dot-dash lines show boundaries between the claimed
and unclaimed portions of the design. The pairs of closely
adjacent, spaced jagged broken lines form no part of the
claimed design and the portions between such pairs of

(Continued)

CPC G06F 1/16; G06F 1/1616; G06F 1/1626;
G06F 1/1632; G06F 1/1613; G06F
1/1601; G06F 1/1618; G06F 1/162; G06F
1/166; G06F 1/1654; G06F 1/1681; G06F
1/1637; G06F 1/1688; G06F 1/1656;
H01R 35/02; H03M 11/00; G09B 13/04;



jagged broken lines are broken away to disclose an indeterminate length. And portions of the design that may be visible between the jagged lines have been removed for clarity.

1 Claim, 7 Drawing Sheets

(56)

References Cited

U.S. PATENT DOCUMENTS

D682,347 S	5/2013	Haggins	
D757,711 S *	5/2016	Henderson D14/324
2003/0090473 A1	5/2003	Joshi	

* cited by examiner

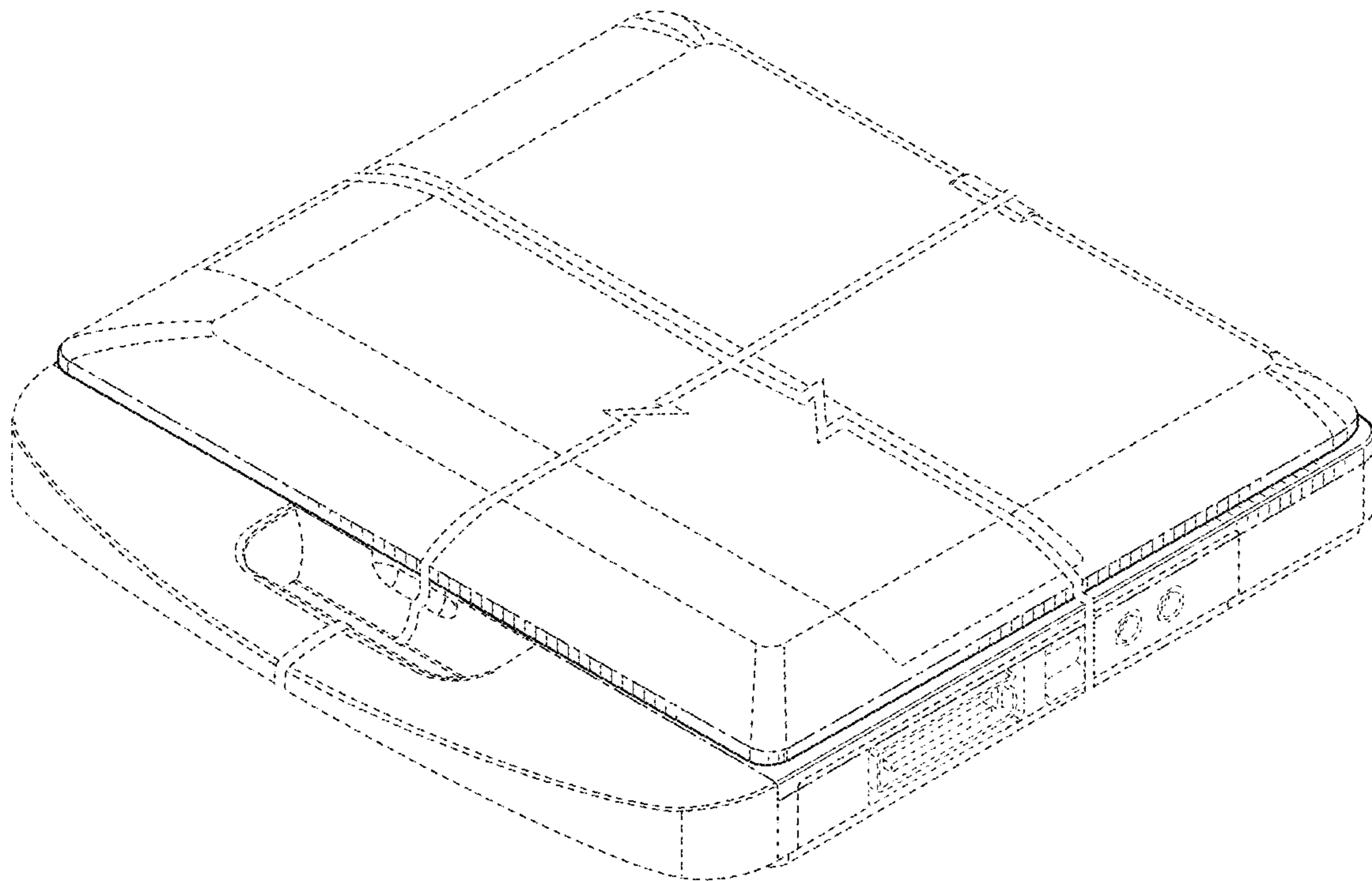


FIG. 1

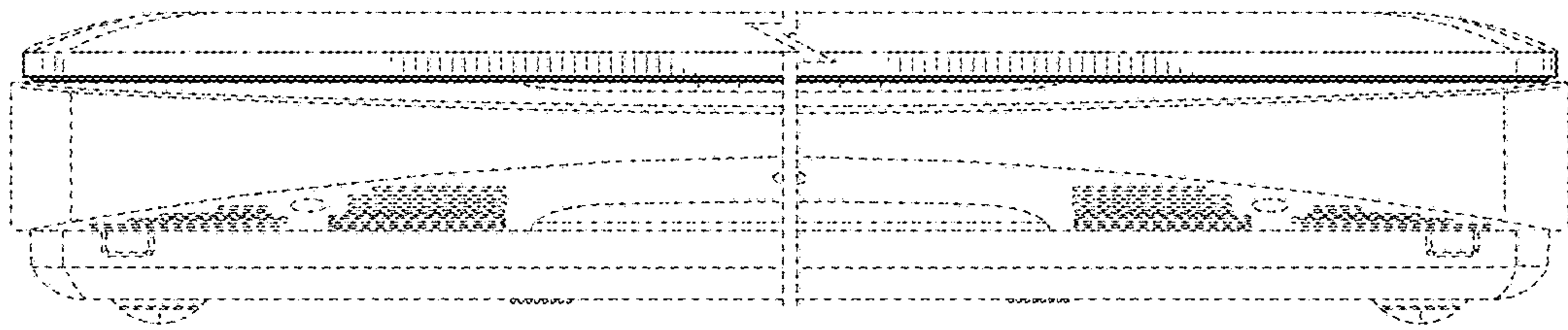


FIG. 2

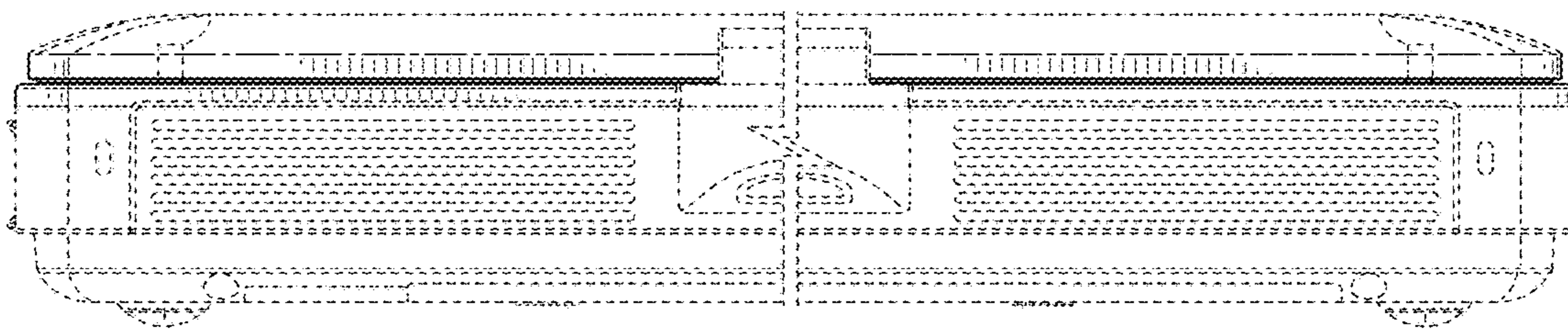


FIG. 3

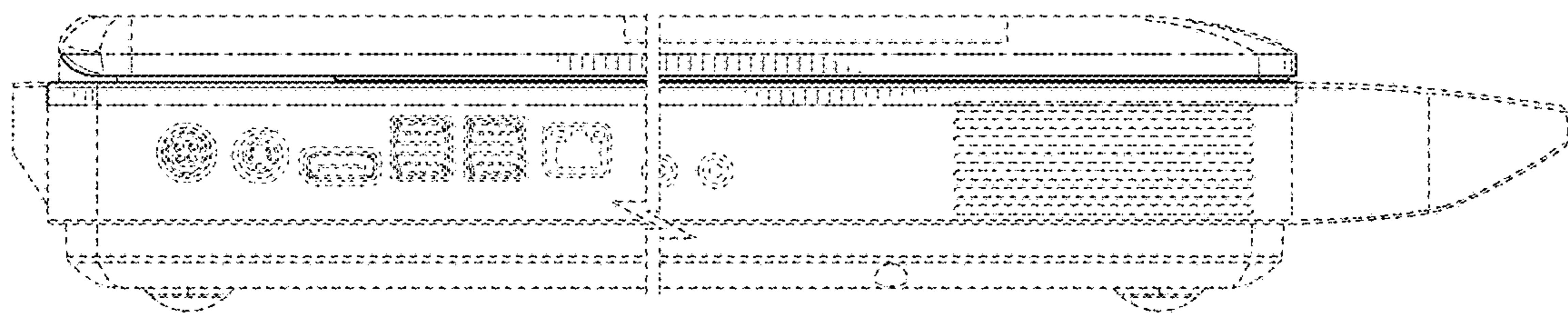


FIG. 4

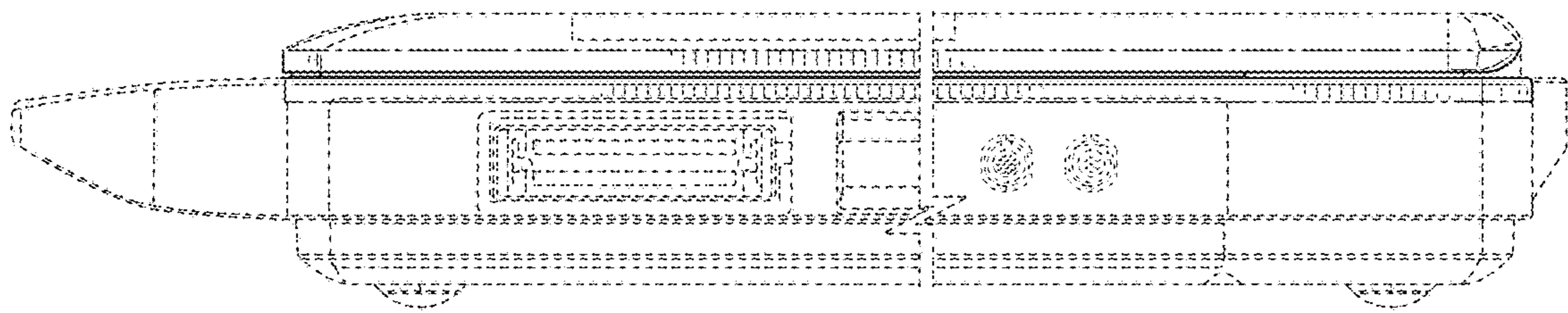


FIG. 5

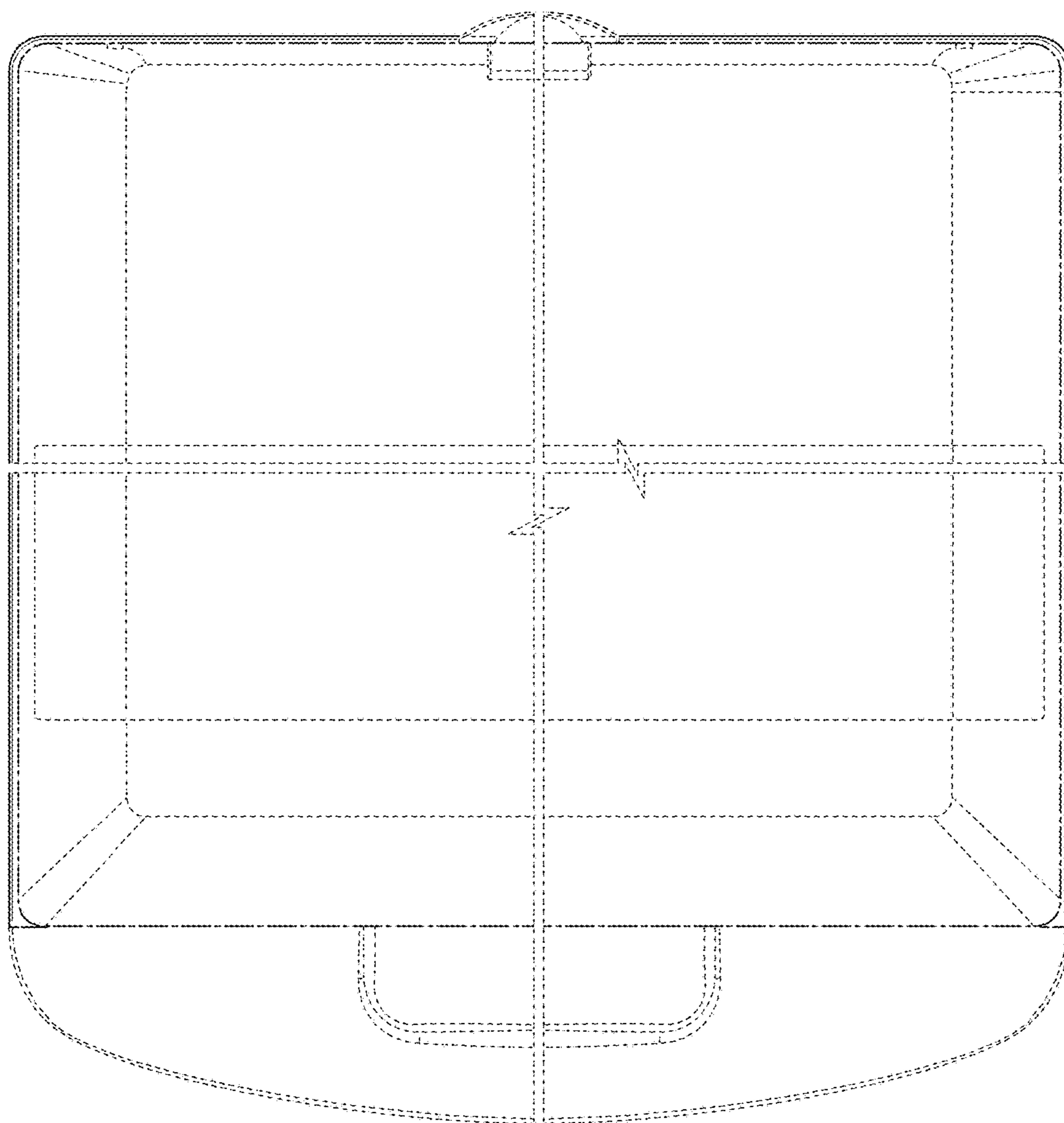


FIG. 6

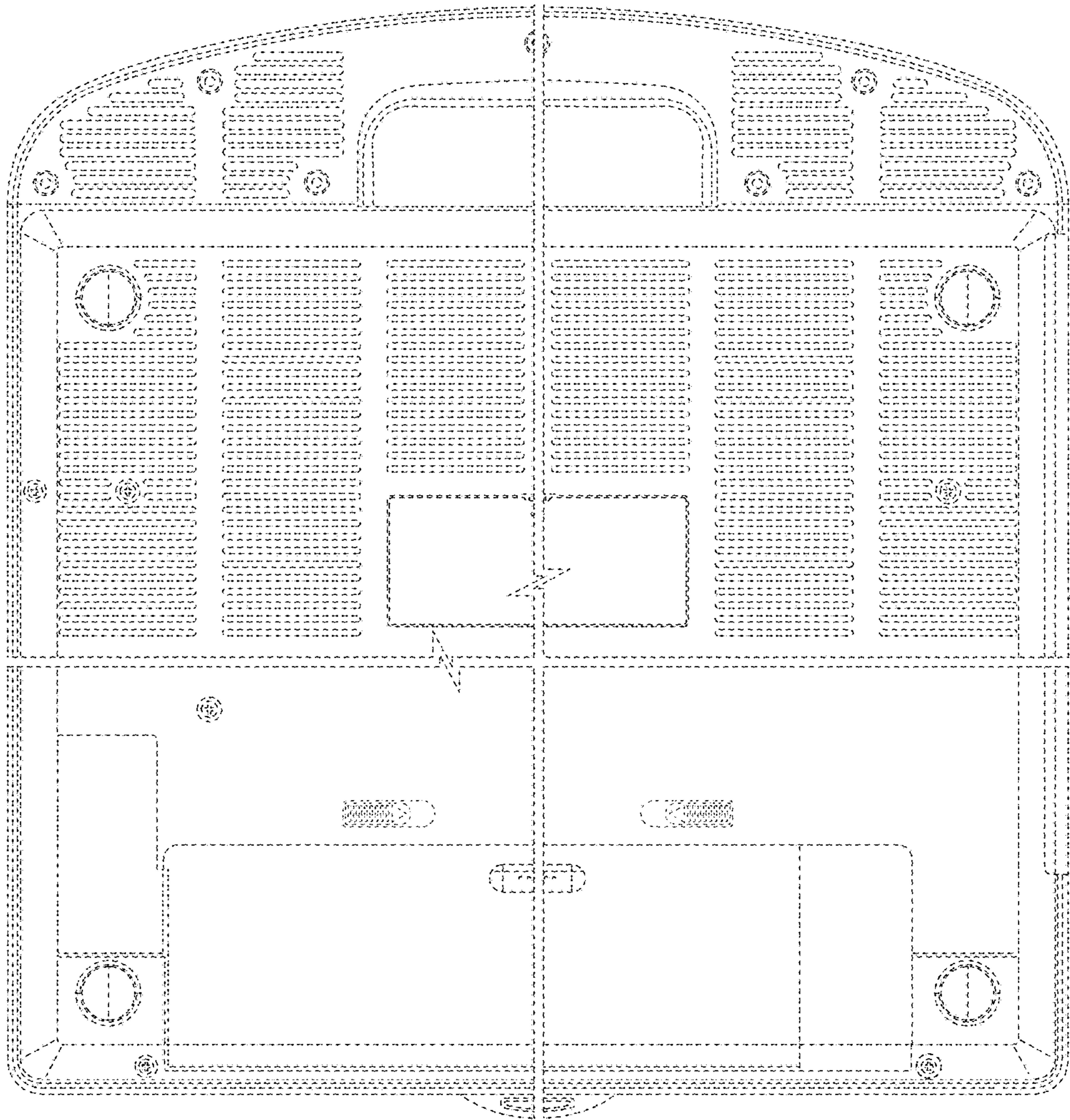


FIG. 7