



US00D798289S

(12) **United States Design Patent** (10) **Patent No.:** **US D798,289 S**  
**Henderson et al.** (45) **Date of Patent:** **\*\* Sep. 26, 2017**

(54) **LAPTOP-TYPE COMPUTER**

H03K 17/94; G09G 5/00; F16M 11/10;  
H05K 5/00; H04M 1/0237; B41J 5/08

See application file for complete search history.

(71) Applicant: **EDAN INSTRUMENTS, INC.**,  
Shenzhen (CN)

(56) **References Cited**

(72) Inventors: **Richard Henderson**, Sunnyvale, CA  
(US); **Sean Murphy**, Sunnyvale, CA  
(US)

U.S. PATENT DOCUMENTS

(73) Assignee: **EDAN INSTRUMENTS, INC.**,  
Shenzhen (CN)

|                 |         |             |               |
|-----------------|---------|-------------|---------------|
| D366,280 S      | 1/1996  | Henderson   |               |
| 6,067,224 A     | 5/2000  | Nobuchi     |               |
| D606,990 S      | 12/2009 | Chen et al. |               |
| D627,342 S      | 11/2010 | Lin et al.  |               |
| D631,043 S      | 1/2011  | Kell        |               |
| D676,436 S      | 2/2013  | Du et al.   |               |
| D682,347 S      | 5/2013  | Haggins     |               |
| D757,711 S *    | 5/2016  | Henderson   | ..... D14/324 |
| 2003/0090473 A1 | 5/2003  | Joshi       |               |

(\*\*) Term: **15 Years**

(21) Appl. No.: **29/565,072**

OTHER PUBLICATIONS

(22) Filed: **May 17, 2016**

U.S. Appl. No. 29/499,429, filed Aug. 14, 2014, Henderson et al.

\* cited by examiner

**Related U.S. Application Data**

(62) Division of application No. 29/499,431, filed on Aug.  
14, 2014, now Pat. No. Des. 757,711.

*Primary Examiner* — Freda S Nunn

(74) *Attorney, Agent, or Firm* — Gilberto M. Villacorta;  
Brett P. Belden; Foley & Lardner LLP

(51) **LOC (10) Cl.** ..... **14-02**

(57) **CLAIM**

(52) **U.S. Cl.**  
USPC ..... **D14/324**

We claim the ornamental design for a laptop-type computer,  
as shown and described.

(58) **Field of Classification Search**

**DESCRIPTION**

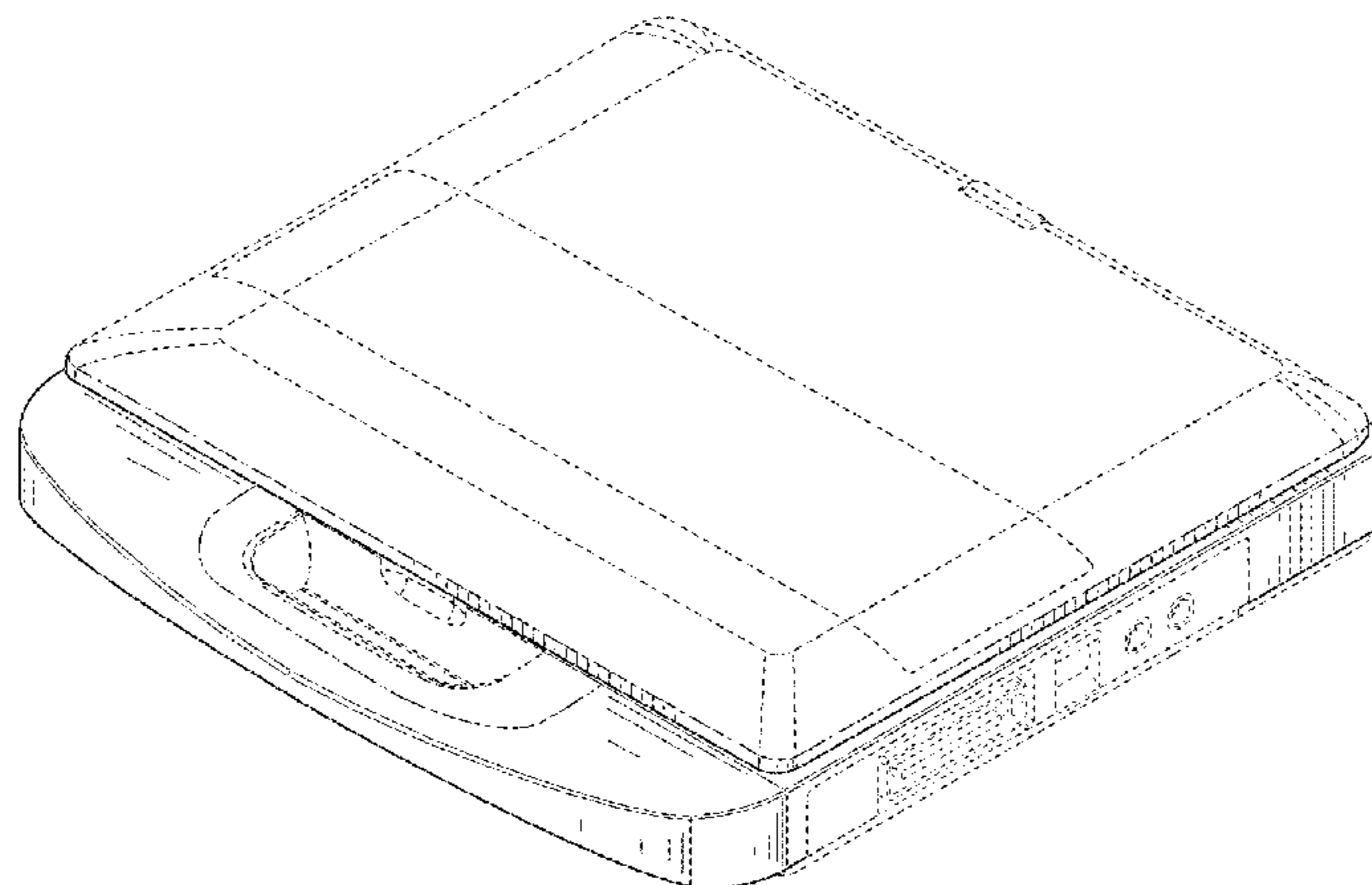
USPC ..... D14/315-327; D18/1, 2, 7, 11;  
235/145 A, 145 R; 341/22, 23; 345/104,  
345/156, 168, 169, 173; 361/679.08,  
361/679.09, 679.11, 679.26, 679.27;  
D24/185, 186

CPC ..... G06F 1/16; G06F 1/1616; G06F 1/1626;  
G06F 1/1632; G06F 1/1613; G06F  
1/1601; G06F 1/1618; G06F 1/162; G06F  
1/166; G06F 1/1654; G06F 1/1681; G06F  
1/1637; G06F 1/1688; G06F 1/1656;  
H01R 35/02; H03M 11/00; G09B 13/04;

FIG. 1 is a top, front, right perspective view of the claimed design;  
FIG. 2 is a front elevation view thereof;  
FIG. 3 is a rear elevation view thereof;  
FIG. 4 is a left elevation view thereof;  
FIG. 5 is a right elevation view thereof;  
FIG. 6 is a top plan view thereof; and,  
FIG. 7 is a bottom plan view thereof.

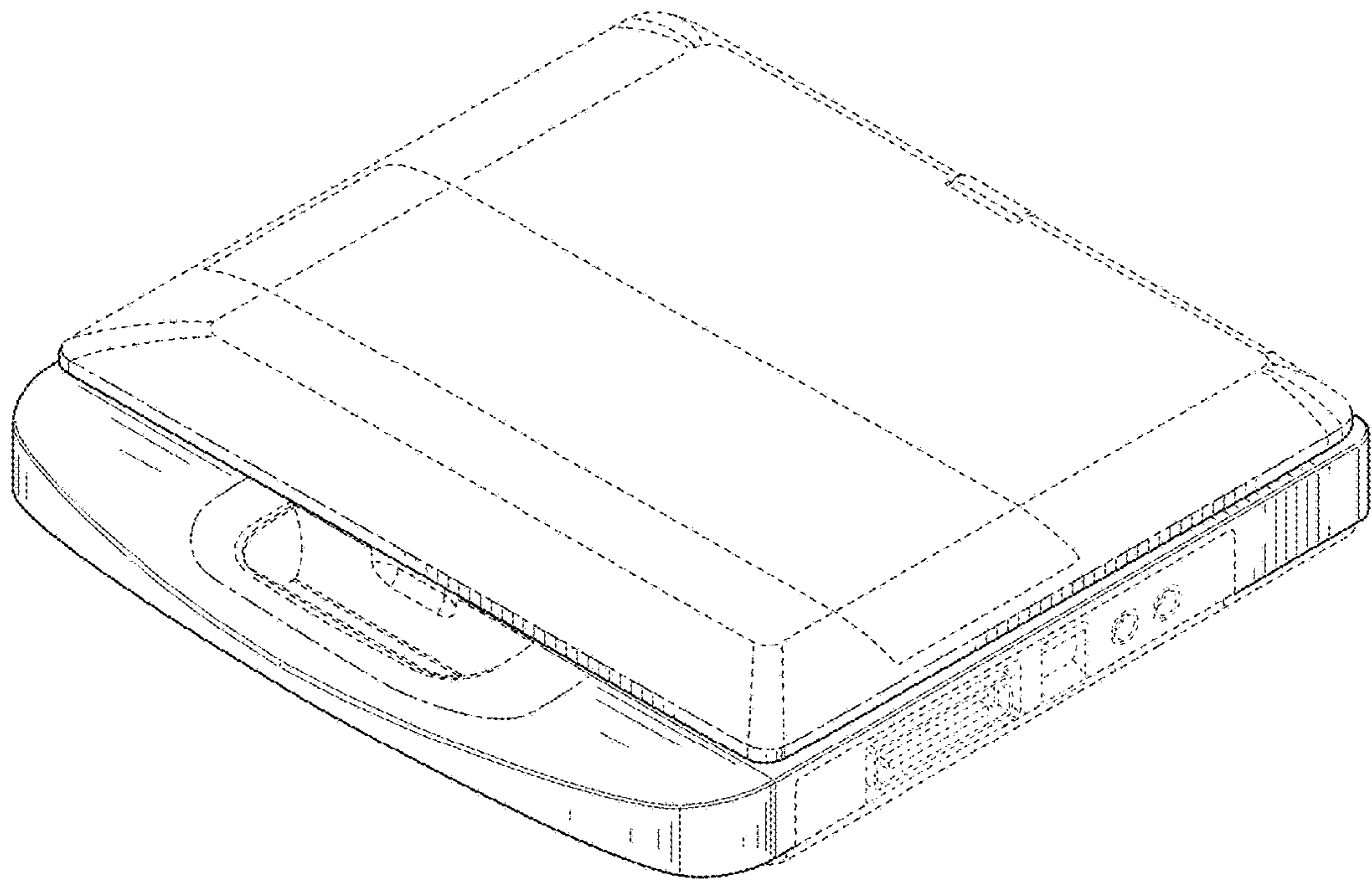
The ornamental design which is claimed is shown in solid lines in the drawings. Broken lines formed by equal length dashes show unclaimed portions of the design. While the

(Continued)



dash-dot-dash lines show boundaries between the claimed and unclaimed portions of the design.

**1 Claim, 7 Drawing Sheets**



**FIG. 1**

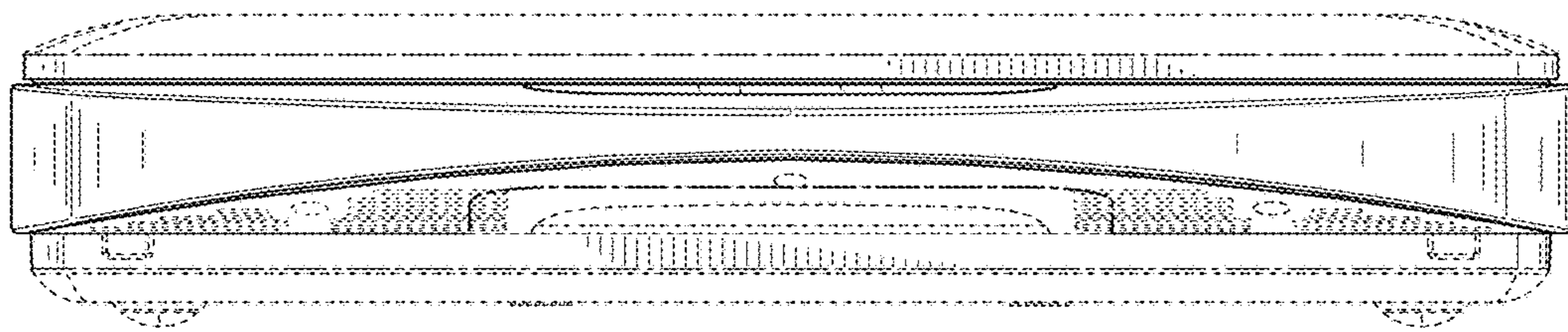


FIG. 2

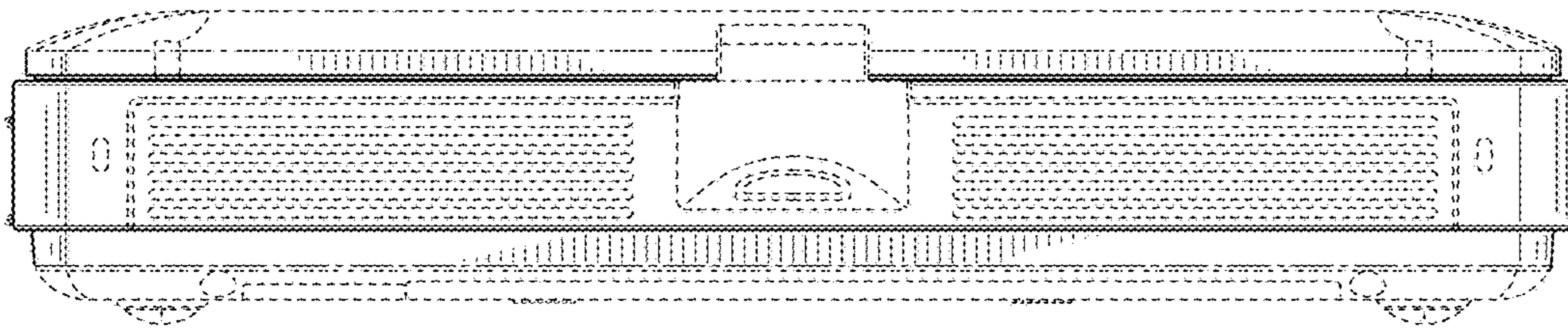


FIG. 3

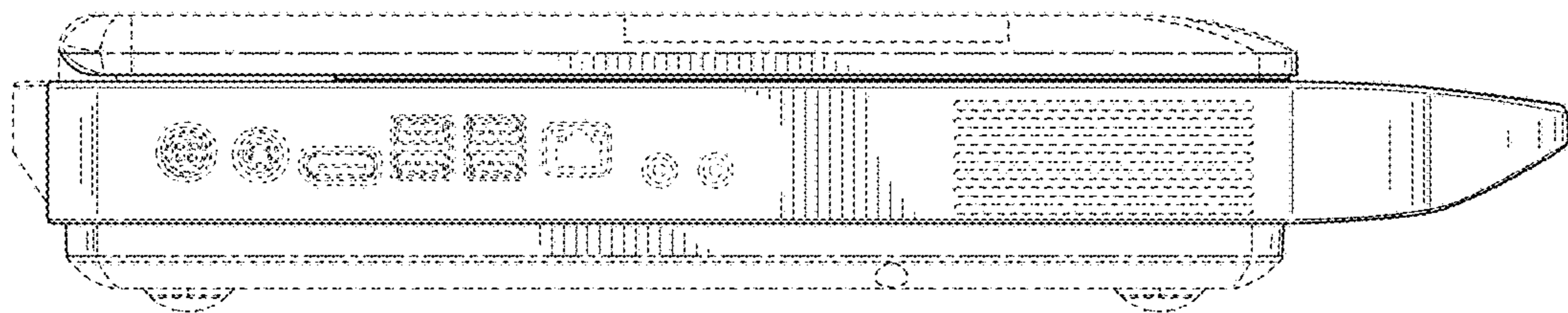


FIG. 4

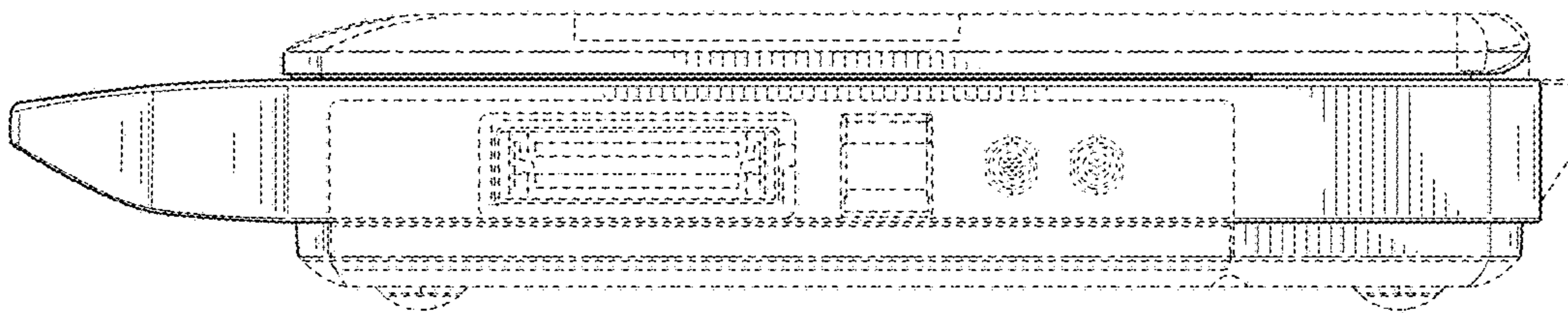


FIG. 5

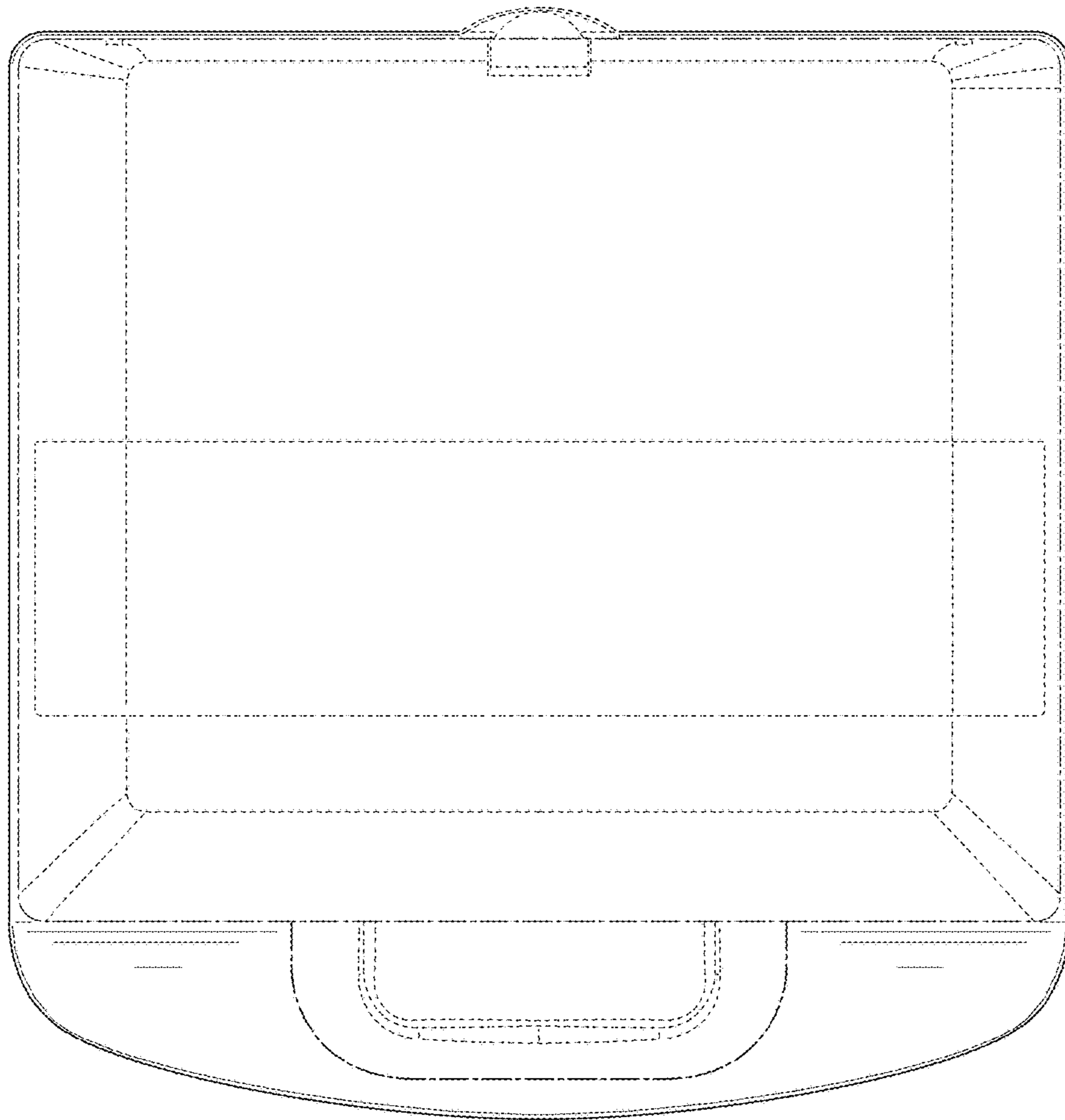


FIG. 6



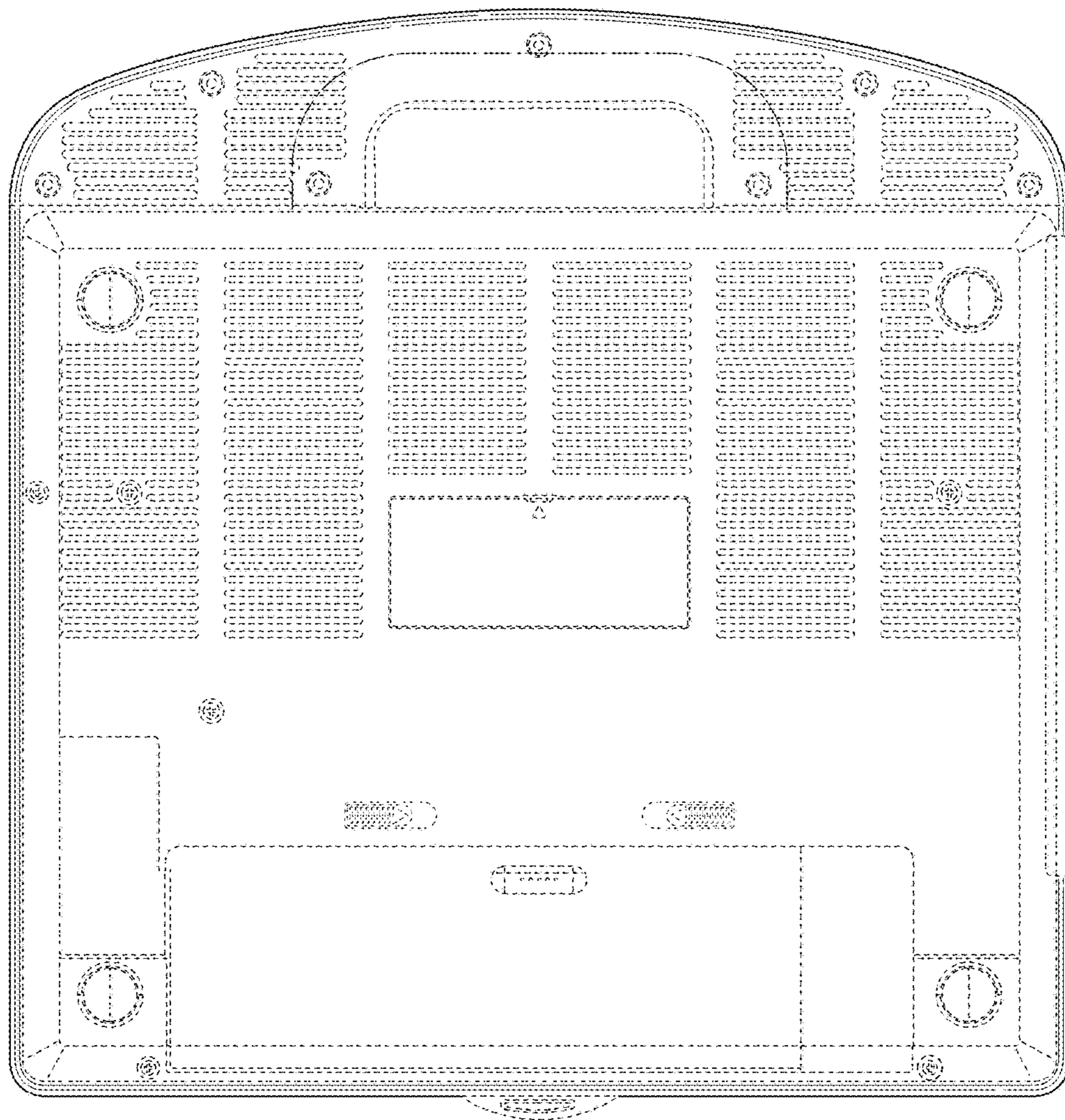


FIG. 7