



US00D798287S

(12) **United States Design Patent**
Wright et al.

(10) **Patent No.:** **US D798,287 S**

(45) **Date of Patent:** **** *Sep. 26, 2017**

(54) **PHONE CASE**

(71) Applicant: **CATALYST LIFESTYLE LIMITED,**
Hong Kong (CN)

(72) Inventors: **Joshua Wright,** Hong Kong (CN);
June Lai, Hong Kong (CN)

(73) Assignee: **CATALYST LIFESTYLE LIMITED,**
North Point, Hong Kong (CN)

(*) Notice: This patent is subject to a terminal disclaimer.

(**) Term: **15 Years**

(21) Appl. No.: **29/583,029**

(22) Filed: **Nov. 1, 2016**

(51) **LOC (10) Cl.** **14-03**

(52) **U.S. Cl.**
USPC **D14/250**

(58) **Field of Classification Search**
USPC D14/238.1, 440, 203.3-203.7, 217, 240,
D14/447, 250, 248, 251-253; D3/201,
D3/218, 247, 269, 273, 301, 303;
D13/103, 107-108, 119
CPC H04B 1/3888; H04M 1/0283; H04M
1/0202; A45C 1/06; A45C 2011/002;
A45C 11/00; A45C 13/02; A45F
2005/026; A45F 2200/0525; A45F
2200/0516

See application file for complete search history.

(56) **References Cited**

U.S. PATENT DOCUMENTS

1,195,299 A	8/1916	Watcher
1,205,217 A	11/1916	Kaufman
1,986,328 A	1/1935	Dreyfus
2,136,625 A	11/1938	Lasko
2,392,787 A	1/1946	Vermot
D157,606 S	3/1950	Lachman
3,789,601 A	2/1974	Bergey

3,800,525 A	4/1974	Bergey
3,992,874 A	11/1976	Collins
4,236,239 A	11/1980	Imgruth et al.
4,390,288 A	6/1983	Arnoux

(Continued)

OTHER PUBLICATIONS

Review: Catalyst Introduces Waterproof Cases for iPhone 7 and Apple Watch 2, published Nov. 16, 2016, URL: <http://beantownreview.com/catalyst-waterproof-case-iphone-7-apple-watch/>, retrieved from internet on Jul. 11, 2017.*

Primary Examiner — Carla Jobe Wright

(74) *Attorney, Agent, or Firm* — Dinsmore & Shohl LLP

(57) **CLAIM**

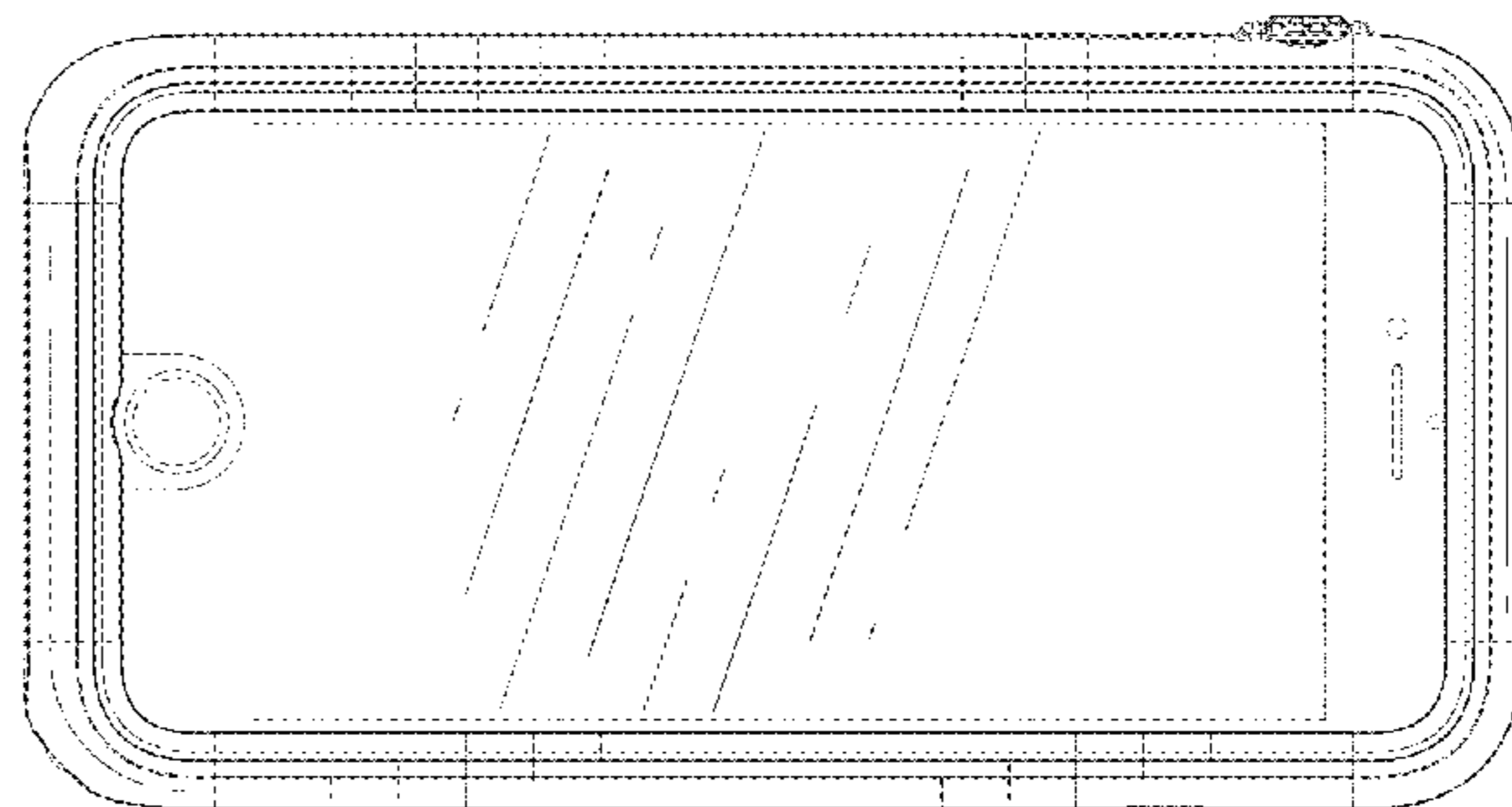
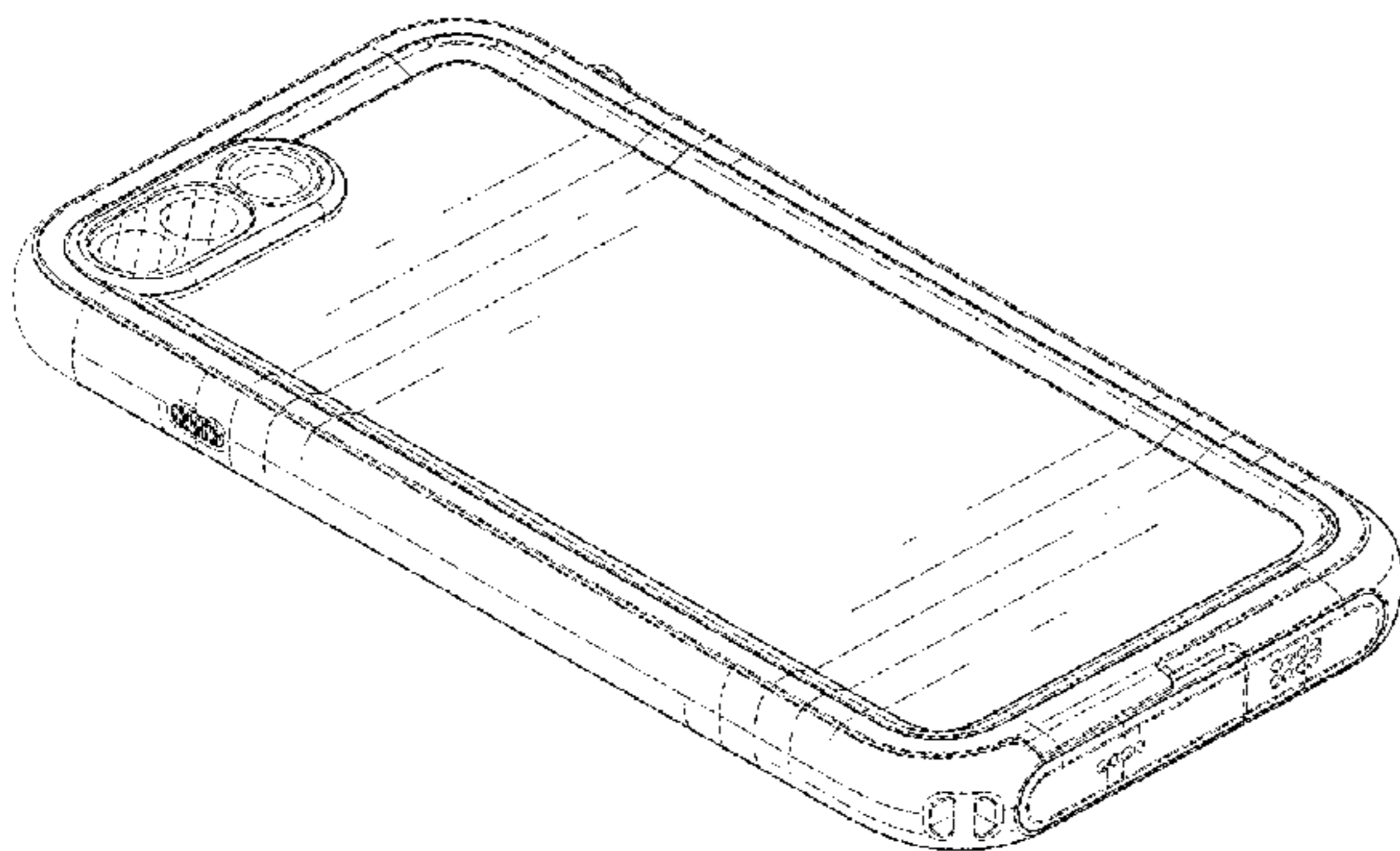
The ornamental design for a phone case, as shown and described.

DESCRIPTION

FIG. 1 is a top, rear, and right-side perspective view of a phone case showing our new design; FIG. 2 is a top, front, and left-side perspective view of the phone case of FIG. 1; FIG. 3 is a bottom, rear, and left-side perspective view of the phone case of FIG. 1; FIG. 4 is a bottom, front, and right-side perspective view of the phone case of FIG. 1; FIG. 5 is a top plan view of the phone case of FIG. 1; FIG. 6 is a bottom plan view of the phone case of FIG. 1; FIG. 7 is a left-side elevation view of the phone case of FIG. 1; FIG. 8 is a right-side elevation view of the phone case of FIG. 1; FIG. 9 is a front elevation view of the phone case of FIG. 1; and, FIG. 10 is a rear elevation view of the phone case of FIG. 1.

The broken lines in FIGS. 1-2 and 5 depict an environmental phone that forms no part of the claimed design.

1 Claim, 4 Drawing Sheets



(56)

References Cited

U.S. PATENT DOCUMENTS

D278,685 S 5/1985 Suzuki et al.
 D279,081 S 6/1985 Suzuki et al.
 D283,014 S 3/1986 Suzuki et al.
 D290,234 S 6/1987 Komatsu
 D293,417 S 12/1987 Sakamaki
 D341,092 S 11/1993 Wild
 D351,799 S 10/1994 Bulgari
 5,477,508 A 12/1995 Will
 D386,094 S 11/1997 Ventrella
 D465,163 S 11/2002 Bodino
 D507,975 S 8/2005 Dreyfuss
 D517,430 S 3/2006 TerMeer et al.
 D528,440 S 9/2006 Lovegrove
 D528,441 S 9/2006 Burton
 D528,928 S 9/2006 Burton
 D539,671 S 4/2007 Lassigne
 D564,367 S 3/2008 Molyneux
 D603,827 S 11/2009 Tompkin et al.
 D638,312 S 5/2011 Jacobs
 D638,324 S 5/2011 Tang
 7,946,758 B2 5/2011 Mooring
 D645,031 S 9/2011 Richardson et al.
 D657,262 S 4/2012 Pulli
 D666,924 S 9/2012 Ahlstrom
 D672,255 S 12/2012 Zanella et al.
 D672,265 S 12/2012 Pulli
 D673,477 S 1/2013 Szellos
 8,345,412 B2 1/2013 Maravilla et al.
 D677,251 S * 3/2013 Melanson D14/250
 D683,338 S 5/2013 Wilson et al.
 D688,582 S 8/2013 Wilson
 D688,967 S 9/2013 Wilson
 D691,124 S * 10/2013 Yang D14/250
 D692,419 S * 10/2013 Rayner D14/250
 D693,251 S 11/2013 Anderssen et al.
 D693,801 S * 11/2013 Rayner D14/250
 D697,504 S * 1/2014 Yang D14/250
 D703,652 S * 4/2014 Melanson D14/250
 D709,057 S 7/2014 Wilson et al.
 D709,059 S * 7/2014 Kim D14/250
 8,787,009 B2 7/2014 Wilson et al.
 D714,771 S * 10/2014 Rayner D14/250
 D716,786 S 11/2014 Wilson et al.
 D717,678 S 11/2014 Anderssen et al.
 8,967,437 B2 3/2015 Wilson

D727,194 S 4/2015 Wilson
 9,007,758 B2 4/2015 Wilson et al.
 D729,218 S 5/2015 Wilson et al.
 D737,159 S 8/2015 Akana et al.
 9,101,184 B2 8/2015 Wilson
 D739,768 S 9/2015 Hanshew et al.
 D740,798 S * 10/2015 Poon D14/250
 D741,726 S 10/2015 Akana et al.
 D742,254 S 11/2015 Greusel et al.
 D742,761 S 11/2015 Grazian et al.
 D744,356 S 12/2015 Akana et al.
 D745,421 S 12/2015 Akana et al.
 9,223,346 B2 12/2015 Wilson
 D746,707 S 1/2016 Akana et al.
 9,264,089 B2 * 2/2016 Tages H04M 1/185
 D751,067 S 3/2016 Nousiainen
 D751,550 S 3/2016 Solomon et al.
 D751,558 S 3/2016 Lee
 D752,044 S 3/2016 Akana et al.
 D752,579 S 3/2016 Lee
 9,301,414 B2 * 3/2016 Chao H05K 5/065
 D752,996 S 4/2016 Ebersold
 D756,357 S 5/2016 Akana et al.
 D757,702 S * 5/2016 Kanazawa D14/250
 D757,703 S * 5/2016 Kanazawa D14/250
 D759,641 S * 6/2016 Lai D14/250
 D759,644 S * 6/2016 Penn D14/250
 D759,645 S * 6/2016 Penn D14/250
 D759,725 S 6/2016 Akana et al.
 D765,627 S * 9/2016 Watt D14/250
 D765,629 S * 9/2016 Watt D14/250
 D768,612 S * 10/2016 Wright D14/250
 D772,855 S * 11/2016 Ju D14/250
 D777,715 S * 1/2017 Sawaya D14/250
 2012/0073093 A1 3/2012 Szellos
 2012/0118773 A1 * 5/2012 Rayner G06F 1/1626
 206/320
 2013/0001263 A1 1/2013 Kai
 2014/0048574 A1 * 2/2014 Kimble A45F 5/00
 224/257
 2014/0339104 A1 * 11/2014 Magness A45C 11/00
 206/37
 2014/0356495 A1 12/2014 Teuscher
 2015/0068935 A1 * 3/2015 Kay A45C 13/36
 206/320
 2015/0189963 A1 * 7/2015 Lai A45C 13/008
 224/191

* cited by examiner

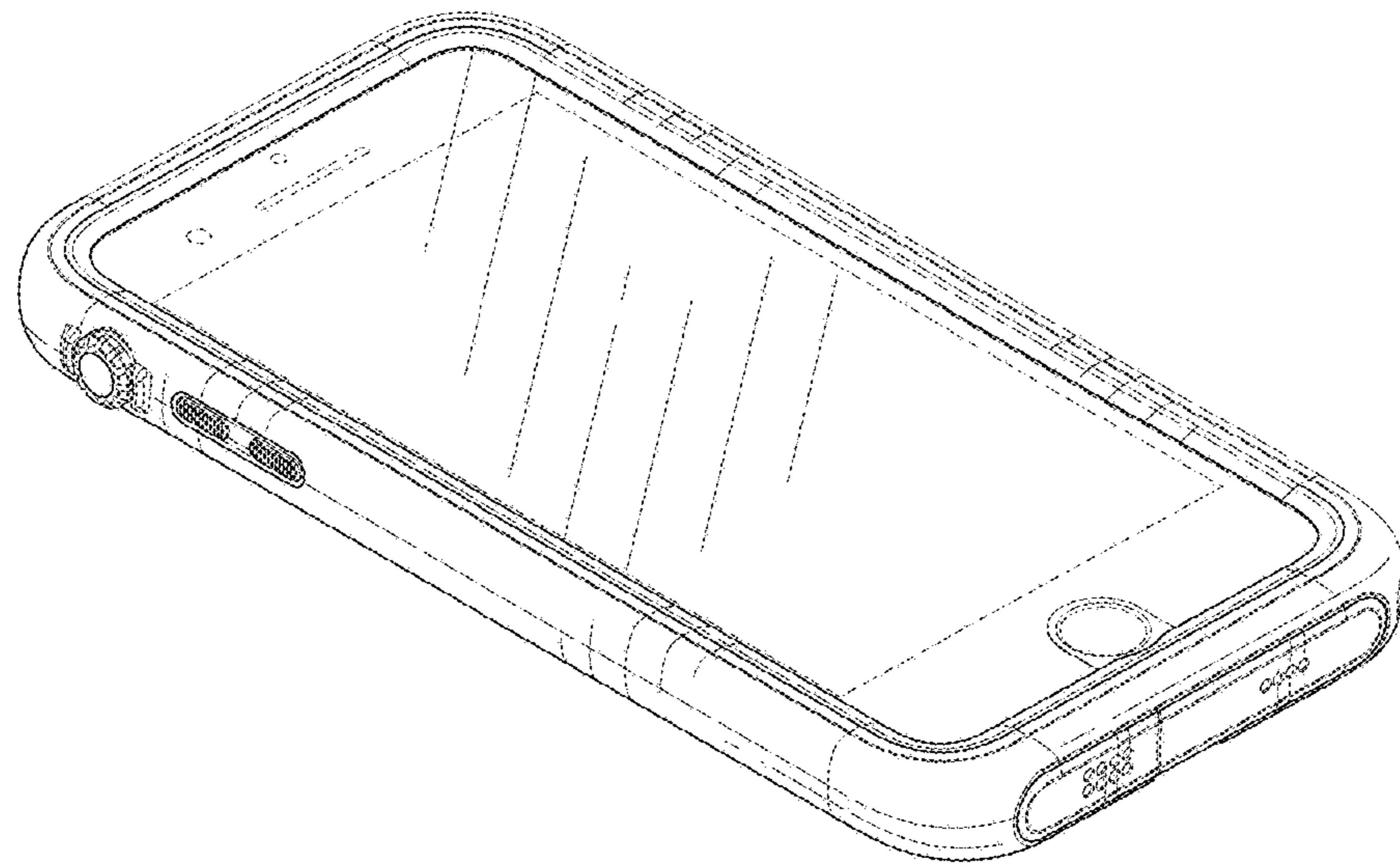


FIG. 1

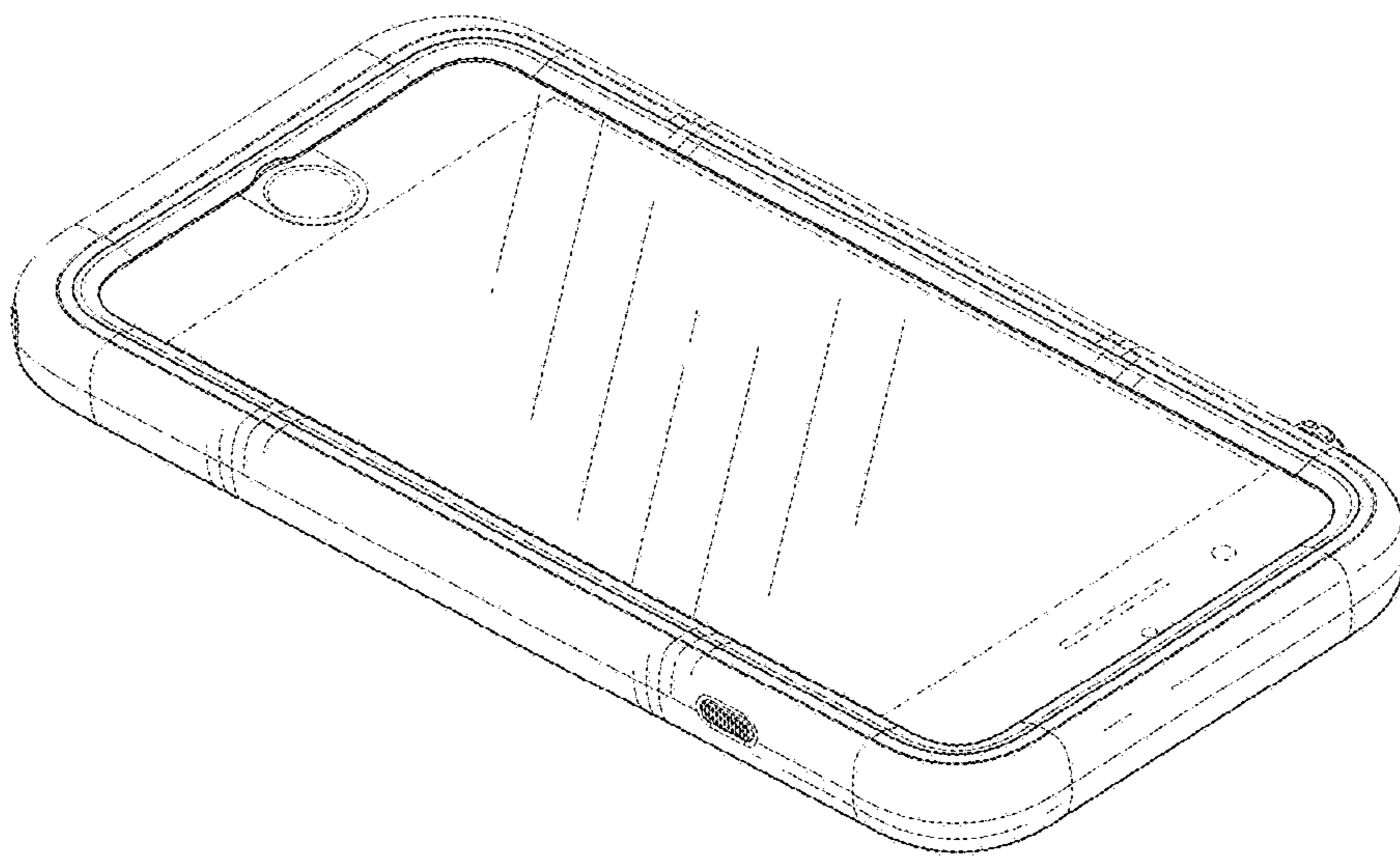


FIG. 2

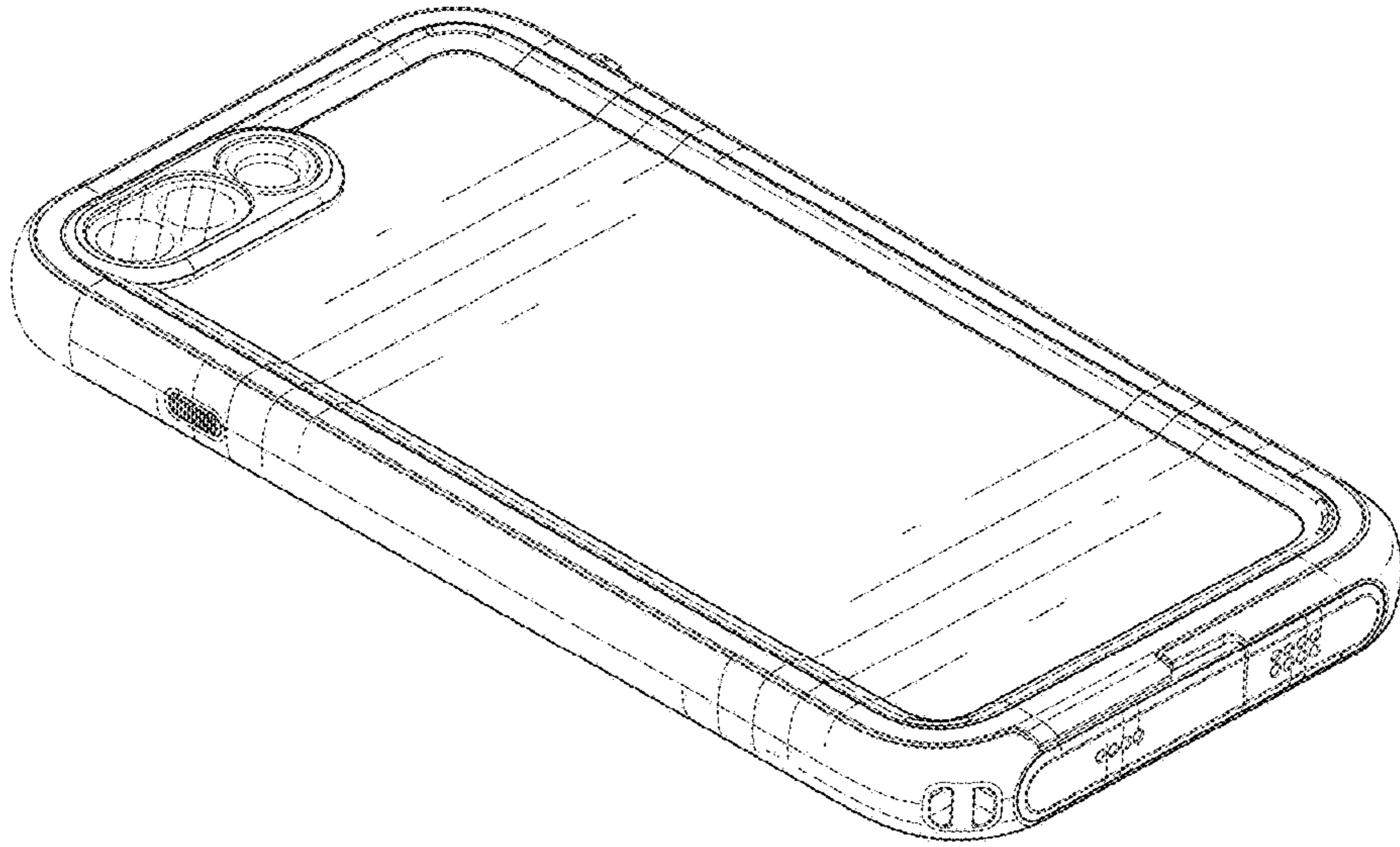


FIG. 3

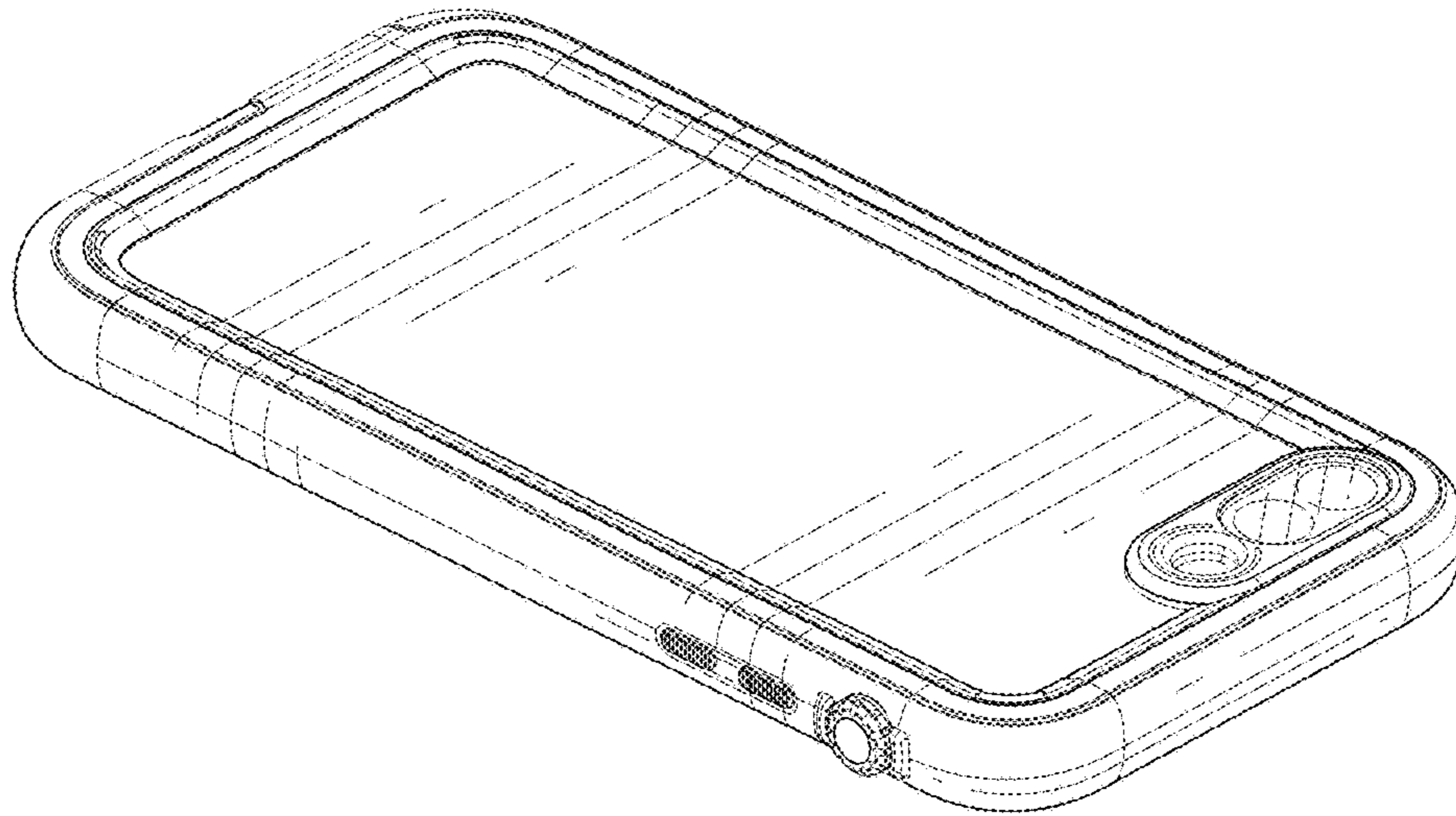


FIG. 4

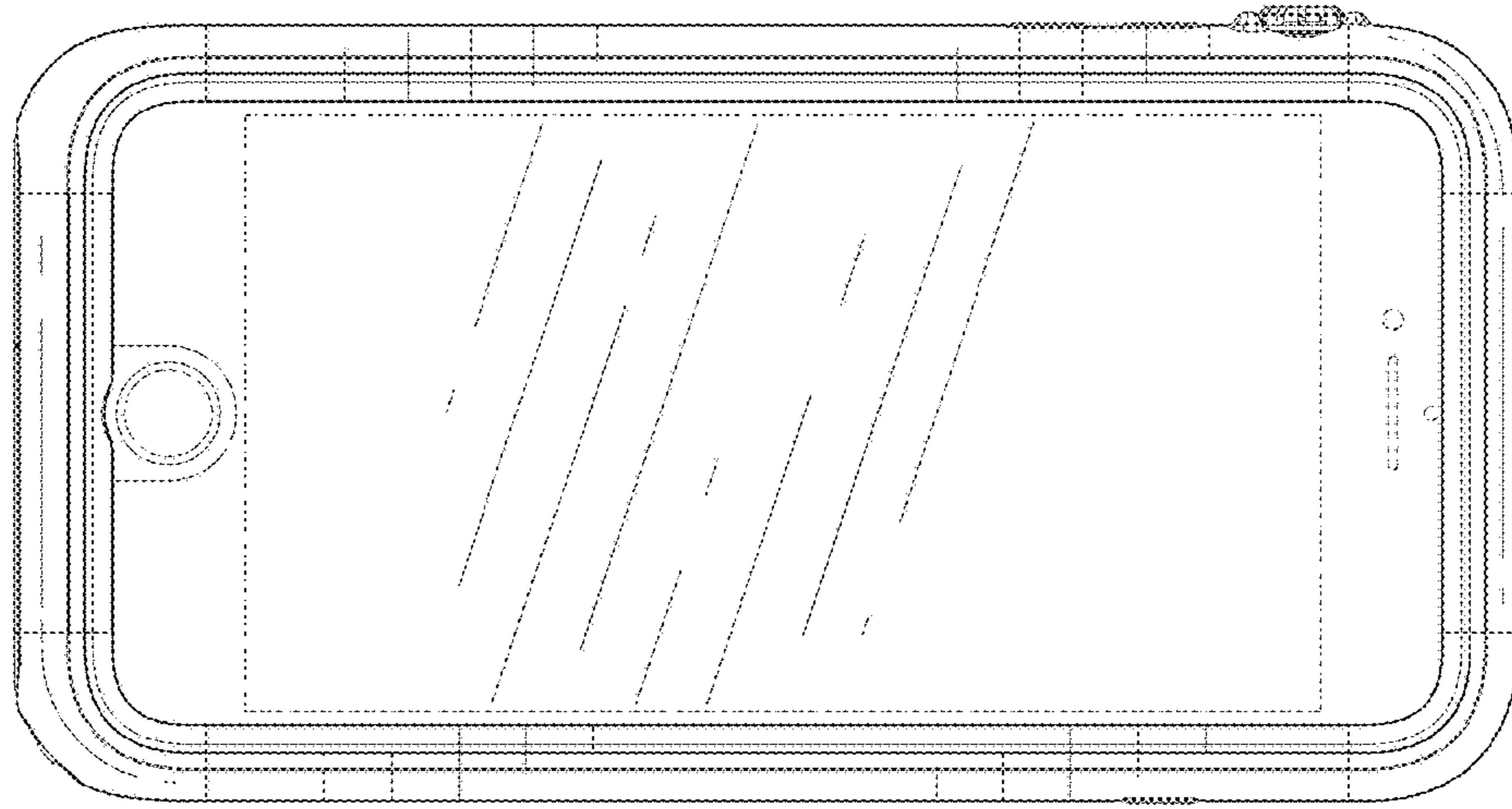


FIG. 5

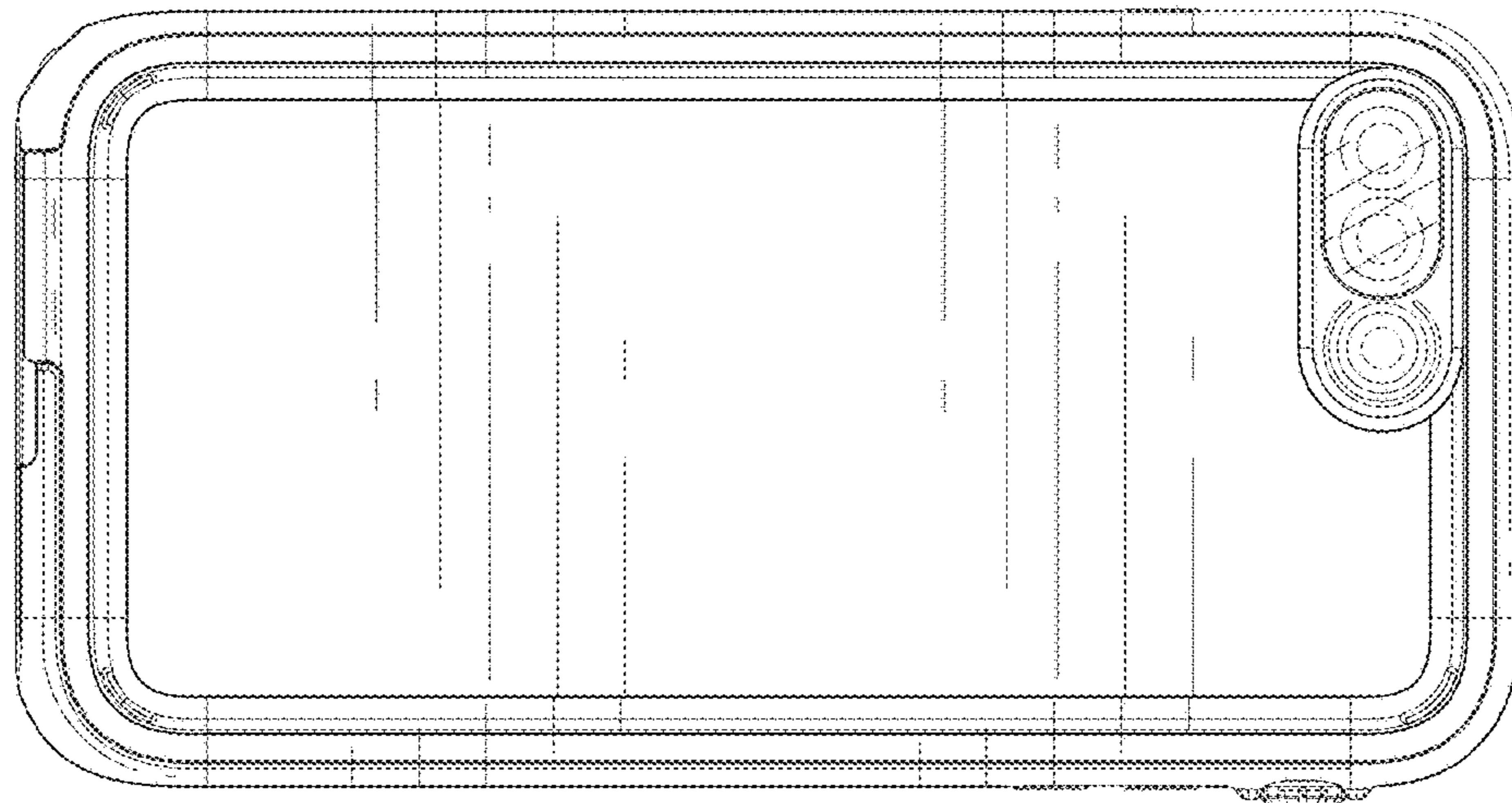


FIG. 6

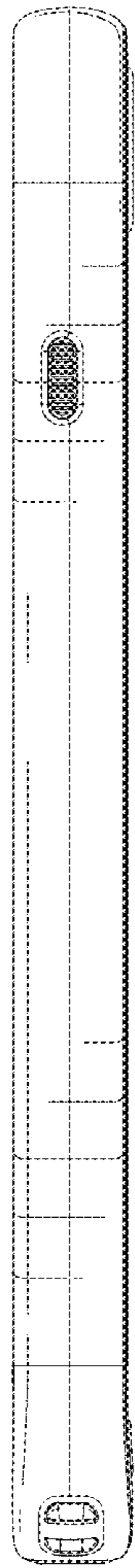


FIG. 7

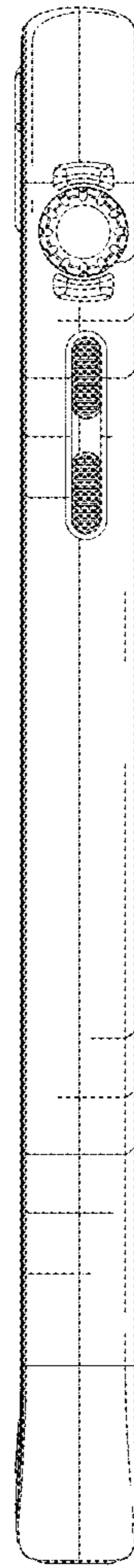


FIG. 8

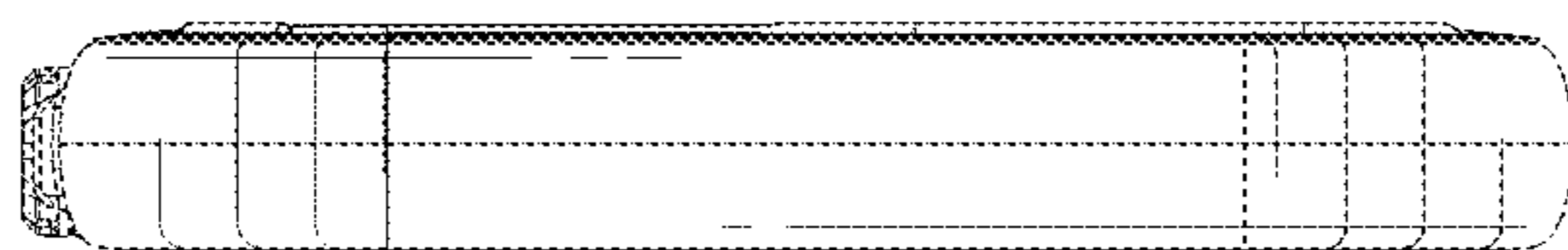


FIG. 9

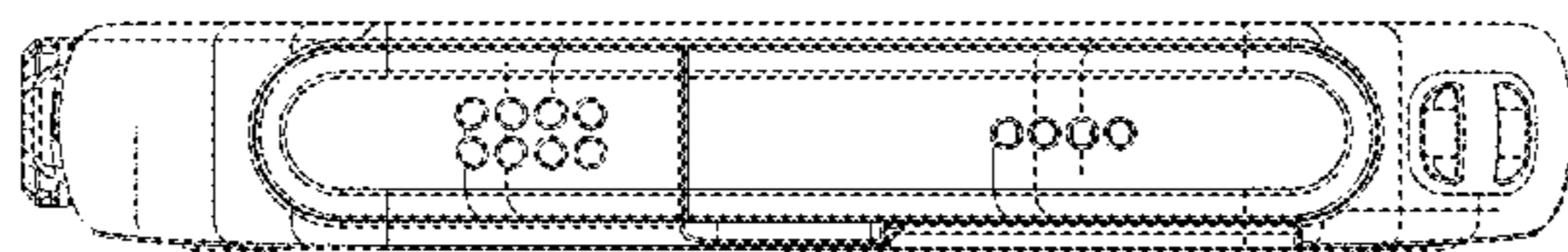


FIG. 10