



US00D798286S

(12) **United States Design Patent** (10) **Patent No.:** **US D798,286 S**
Roberts et al. (45) **Date of Patent:** **** Sep. 26, 2017**

(54) **MOBILE COMMUNICATIONS DEVICE COVER**

(71) Applicant: **Tech 21 Licensing Limited**,
Twickenham (GB)

(72) Inventors: **Jason Roberts**, Twickenham (GB);
Wilhelm Marschall, East Twickenham
(GB); **Benjamin Thorpe**, London (GB)

(73) Assignee: **TECH 21 LICENSING LIMITED**,
Twickenham, Middlesex (GB)

(**) Term: **15 Years**

(21) Appl. No.: **29/562,365**

(22) Filed: **Apr. 25, 2016**

(30) **Foreign Application Priority Data**

Feb. 19, 2016 (EM) 002993410

(51) **LOC (10) Cl.** **14-03**

(52) **U.S. Cl.**
USPC **D14/250**

(58) **Field of Classification Search**
USPC D14/238.1, 440, 203.3–203.7, 217, 240,
D14/447, 250, 251–253, 248, 496;
D3/201, 218, 247, 269, 273, 301, 303;
D13/103, 107–108, 119
CPC H04B 1/3888; H04M 1/0283;
H04M 1/0202; A45C 1/06;
A45C 2011/002; A45C 11/00;
A45C 13/02; A45F 2005/026;
A45F 2200/0525; A45F 2200/0516
See application file for complete search history.

(56) **References Cited**

U.S. PATENT DOCUMENTS

D574,819 S * 8/2008 Andre D3/269
D619,361 S * 7/2010 Andre D3/269

D621,821 S * 8/2010 Richardson D14/250
D624,064 S * 9/2010 Esposito D14/250
D643,029 S * 8/2011 Feng D14/250
D644,216 S * 8/2011 Richardson D14/250
D675,198 S * 1/2013 Andre D14/250
D676,036 S * 2/2013 Chang D14/250
D697,902 S * 1/2014 Fathollahi D14/250
D706,254 S * 6/2014 Chang D14/217
D712,890 S * 9/2014 McCormac D14/250
D714,276 S * 9/2014 Hu D14/250
D718,759 S * 12/2014 Barfoot D14/250
D721,360 S * 1/2015 Laffon de Mazieres D14/250
D723,531 S * 3/2015 Katzke D14/250
D746,805 S * 1/2016 Kim D14/250

(Continued)

Primary Examiner — Carla Jobe Wright

(74) *Attorney, Agent, or Firm* — Stephen J. Weyer, Esq.;
Stites & Harbison, PLLC.

(57) **CLAIM**

The ornamental design for a mobile communications device cover, as shown and described.

DESCRIPTION

FIG. 1 is a front and left-side perspective view of a mobile communications device cover showing our new design.
FIG. 2 is a rear and left-side perspective view of the mobile communications device cover of FIG. 1.
FIG. 3 is a front elevation view of the mobile communications device cover of FIG. 1.
FIG. 4 is a rear elevation view of the mobile communications device cover of FIG. 1.
FIG. 5 is a left side elevation view of the mobile communications device cover of FIG. 1.
FIG. 6 is a right side elevation view of the mobile communications device cover of FIG. 1.
FIG. 7 is a bottom plan view of the mobile communications device cover of FIG. 1; and,
FIG. 8 is a top plan view of the mobile communications device cover of FIG. 1.

1 Claim, 6 Drawing Sheets



(56)

References Cited

U.S. PATENT DOCUMENTS

D747,708	S	*	1/2016	Roberts	D14/250
D750,610	S	*	3/2016	Chen	D14/250
9,293,808	B1	*	3/2016	Roberts	H01Q 1/243
D753,641	S	*	4/2016	Roberts	D14/250
D763,842	S	*	8/2016	Chang	D14/250
D765,645	S	*	9/2016	Kim	D14/250
D771,611	S	*	11/2016	Chang	D14/250
D771,612	S	*	11/2016	Roberts	D14/250
D772,210	S	*	11/2016	Igarashi	D14/250
D772,854	S	*	11/2016	Igarashi	D14/250

* cited by examiner

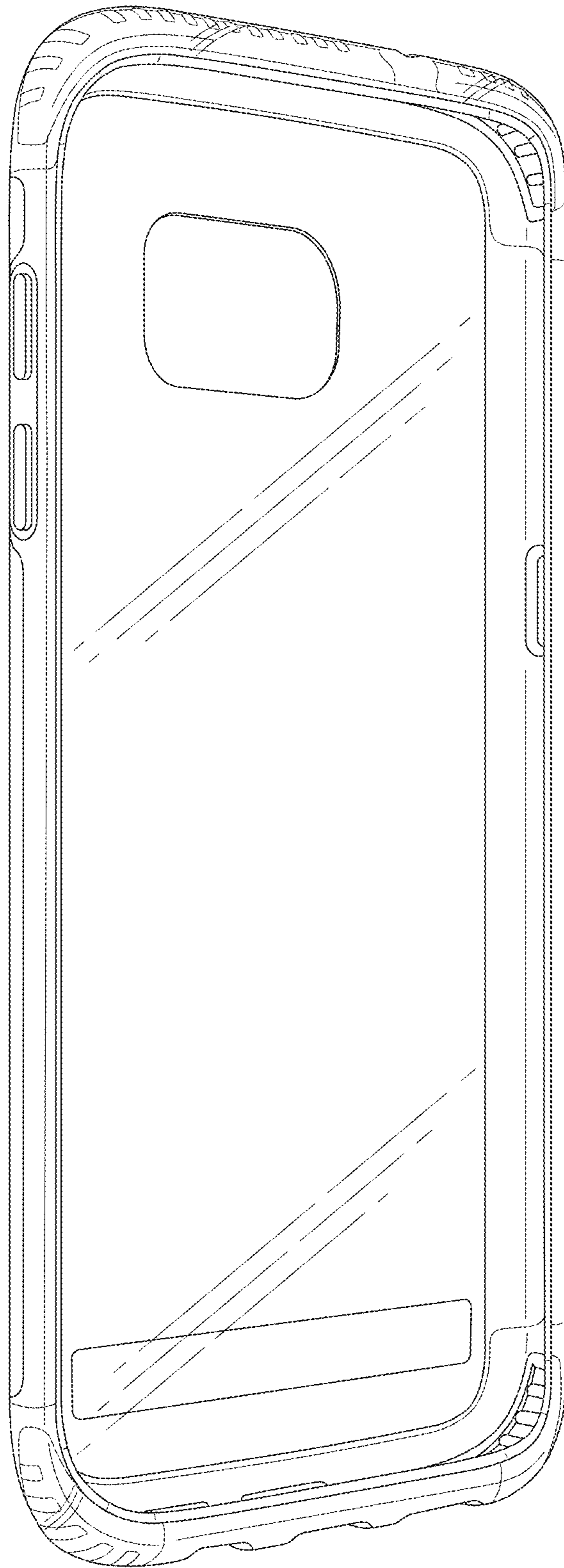


FIG. 1

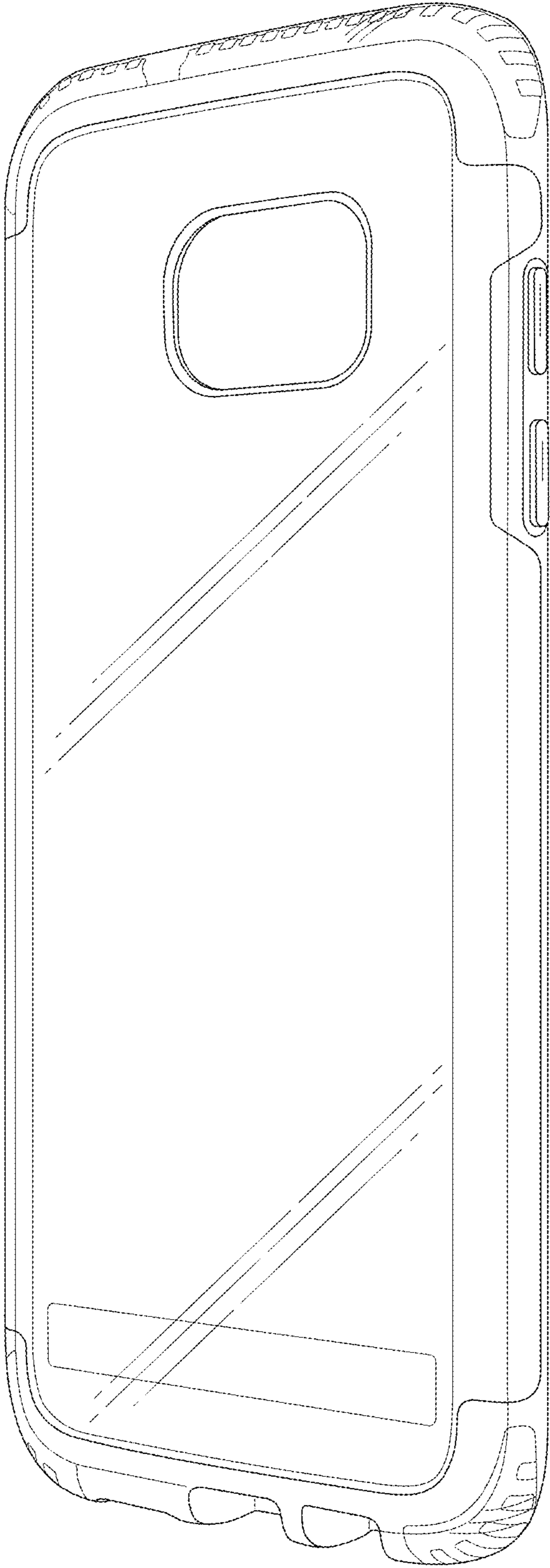


FIG. 2

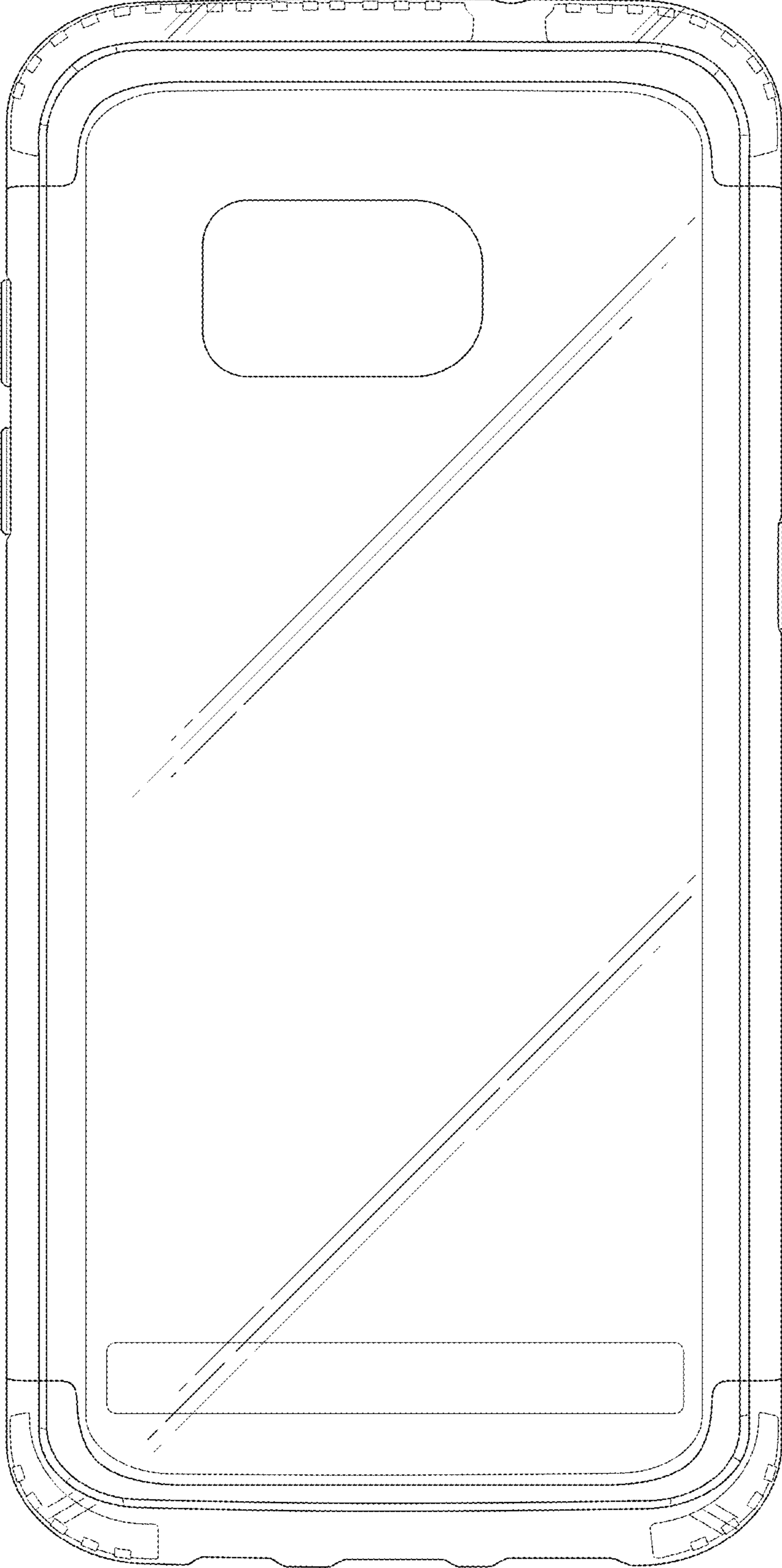


FIG. 3

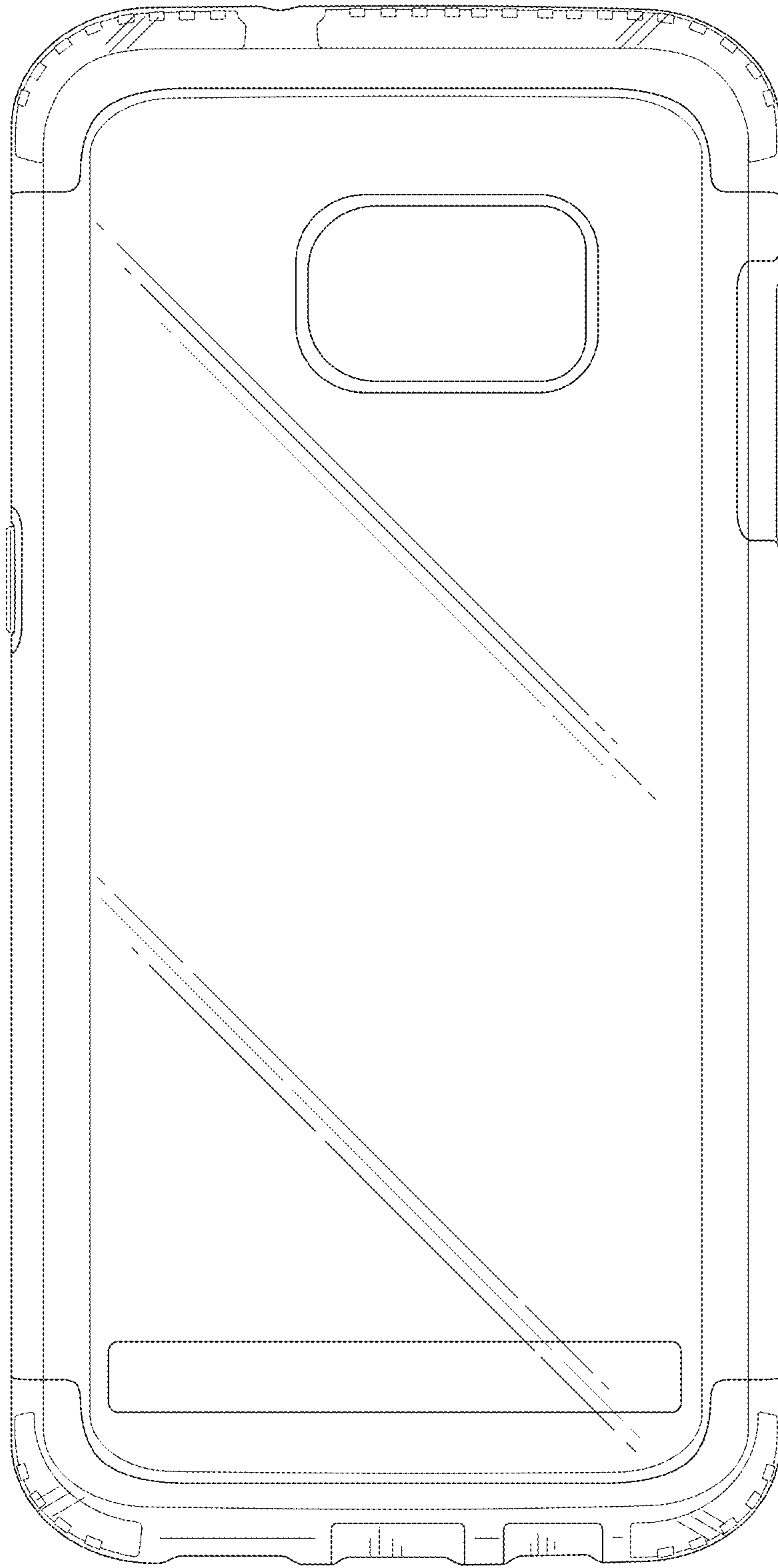


FIG. 4

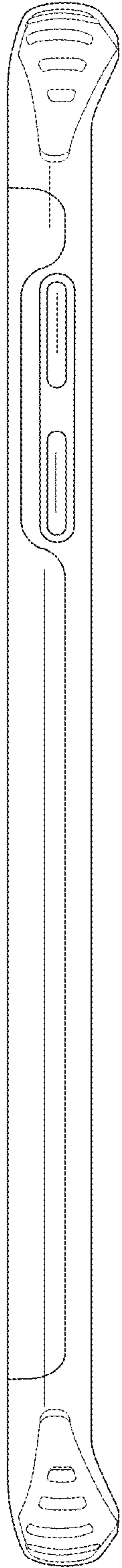


FIG. 5

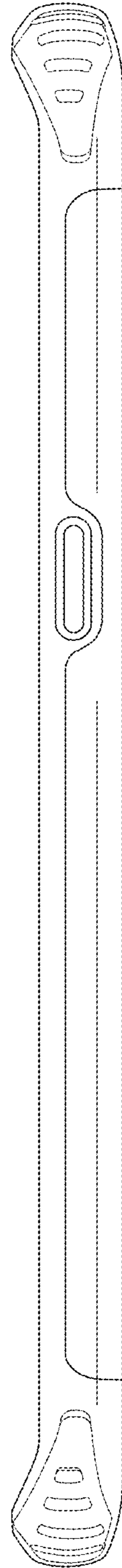


FIG. 6

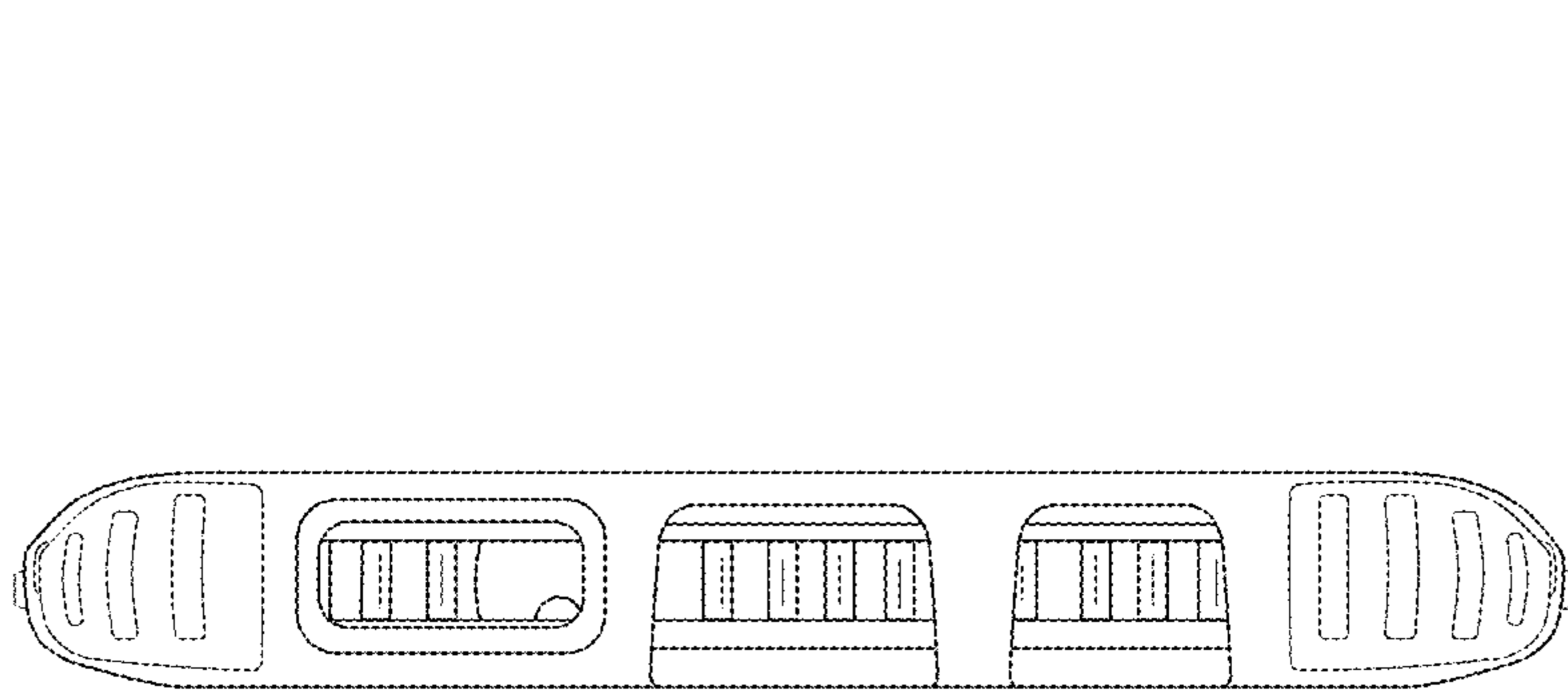


FIG. 7

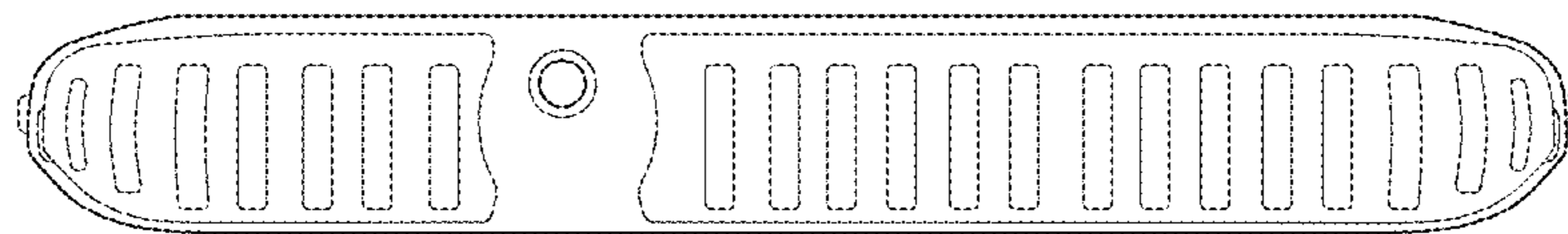


FIG. 8