



US00D798284S

(12) **United States Design Patent** (10) **Patent No.:** **US D798,284 S**
Kim (45) **Date of Patent:** **** Sep. 26, 2017**

(54) **CASE FOR ELECTRONIC DEVICE**

(71) Applicant: **Dae-Young Kim**, Seoul (KR)

(72) Inventor: **Dae-Young Kim**, Seoul (KR)

(73) Assignee: **SPIGEN KOREA CO., LTD.**,
Geumcheon-Gu, Seoul (KR)

(**) Term: **14 Years**

(21) Appl. No.: **29/506,115**

(22) Filed: **Oct. 13, 2014**

(51) **LOC (10) Cl.** **14-01**

(52) **U.S. Cl.**
USPC **D14/250**

(58) **Field of Classification Search**

USPC D14/250–253, 440, 203.3–203.7, 217,
D14/496, 248, 238.1, 240, 447, 230, 247,
D14/341, 345, 346, 439; D3/201, 218,
D3/269, 301, 273, 303; D13/103,
D13/107–108; 220/4.02; 248/309.1;
361/679.56; 379/426, 433.11, 455;
455/575.1, 575.8; 190/100; 206/305,
206/320
CPC . A45C 2011/002; A45C 11/00; A45C 13/002;
A45C 2011/003; H04M 1/0283; H04M
1/0202; H04M 1/185; H04B 1/3888
See application file for complete search history.

(56) **References Cited**

U.S. PATENT DOCUMENTS

D663,263 S * 7/2012 Gupta D13/103
D676,434 S * 2/2013 Chang D14/250
D679,271 S * 4/2013 Liu D13/103
D681,615 S * 5/2013 Fathollahi D14/250

(Continued)

OTHER PUBLICATIONS

Spigen, Slim Armor Cover Case for Galaxy Note 4, “<https://www.amazon.co.uk/Spigen-Slim-Armor-Cover-Galaxy/dp/>”

B00MAWQAA0/ref=sr_1_32?ie=UTF8&qid=1470422170
&sr=8-32&keywords=spigen+Samsung+Galaxy+Note+4”,
available Aug. 13, 2014 (retrieved online Aug. 5, 2016).*

Primary Examiner — Sandra Snapp

Assistant Examiner — Holly E Thurman

(74) *Attorney, Agent, or Firm* — East West Law Group;
Heedong Chae

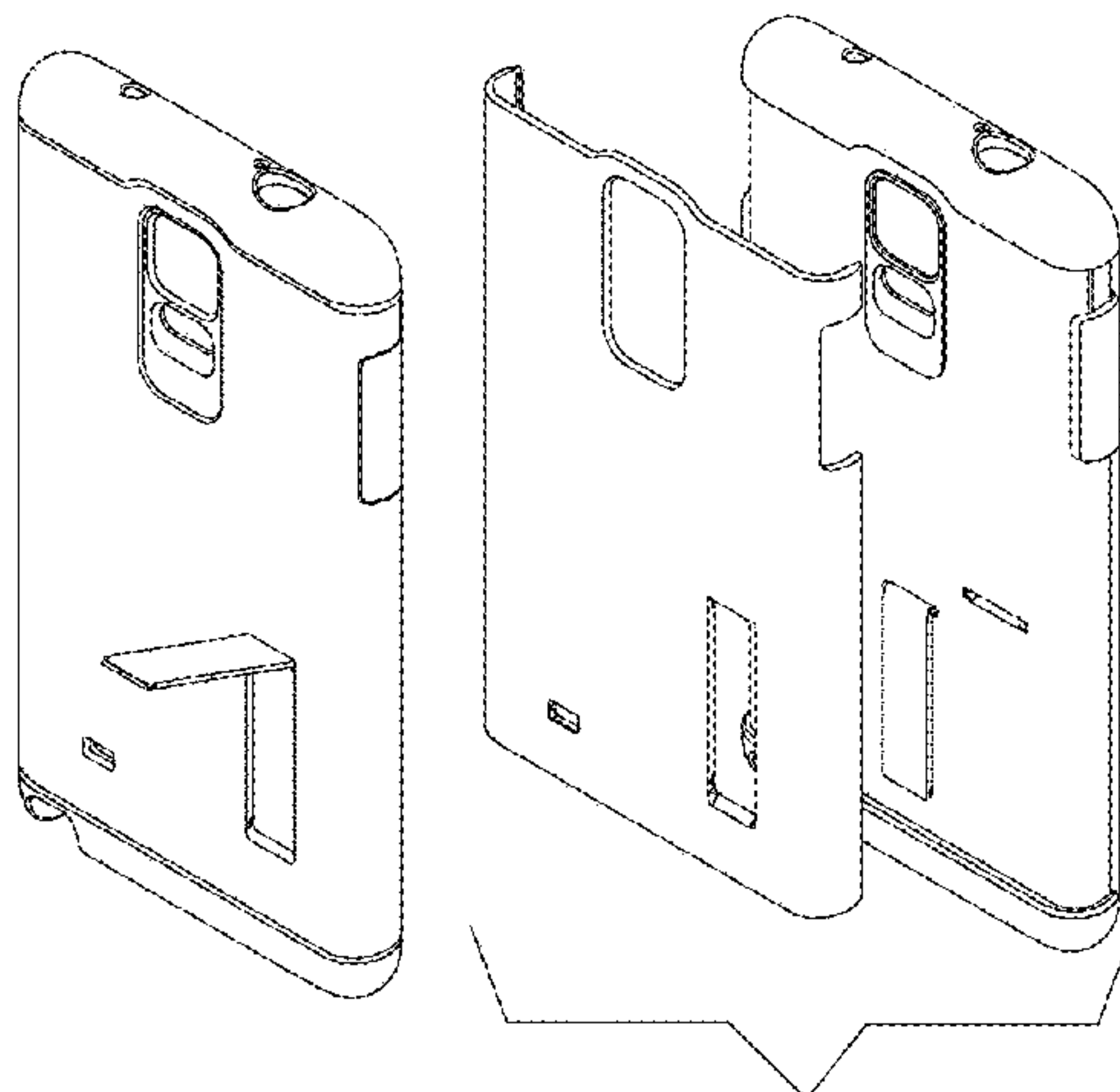
(57) **CLAIM**

The ornamental design for a case for electronic device, as shown and described.

DESCRIPTION

FIG. 1 is a front perspective view of a case for electronic device, comprised of inner shell, outer frame, and support leg, showing my new design in an assembled state; FIG. 2 is a rear perspective view thereof; FIG. 3 is a front elevational view thereof; FIG. 4 is a rear elevational view thereof; FIG. 5 is a left side elevational view thereof; FIG. 6 is a right side elevational view thereof; FIG. 7 is a top plan view thereof; FIG. 8 is a bottom plan view thereof; FIG. 9 is a rear perspective view thereof, showing the support leg in an open position; FIG. 10 is an exploded rear perspective view thereof showing the inner shell, outer frame, and support leg of the case for electronic device separated for clarity of disclosure; FIG. 11 is a front perspective view of the inner shell only shown separately for clarity of disclosure; FIG. 12 is a rear perspective view thereof; FIG. 13 is a front perspective view of the support leg only shown separately for clarity of disclosure; FIG. 14 is a rear perspective view thereof; FIG. 15 is a front perspective view of the outer frame only shown separately for clarity of disclosure; and, FIG. 16 is a rear perspective view thereof. The broken line showing of environment is for illustrative purposes only and forms no part of the claimed design.

1 Claim, 16 Drawing Sheets



(56)

References Cited

U.S. PATENT DOCUMENTS

D689,852 S *	9/2013	Azoulay	D14/250
D695,735 S *	12/2013	Kitchen	D14/341
D698,773 S *	2/2014	Wildner	D14/250
D700,583 S *	3/2014	Bacchus	D13/168
D703,655 S *	4/2014	Melanson	D14/250
D706,254 S *	6/2014	Chang	D14/217
D721,071 S *	1/2015	Nelson	D14/250
D723,019 S *	2/2015	Chan	D14/250
D724,572 S *	3/2015	Wildner	D14/250
D727,304 S *	4/2015	Lee	D14/248
D729,781 S *	5/2015	Lee	D14/248
D733,693 S *	7/2015	Wang	D14/248
D736,205 S *	8/2015	Park	D14/138 R
D739,391 S *	9/2015	Chen	D14/248
D741,279 S *	10/2015	Tai	D14/138 G
D746,275 S *	12/2015	Mohammad	D14/250

* cited by examiner

FIG. 1

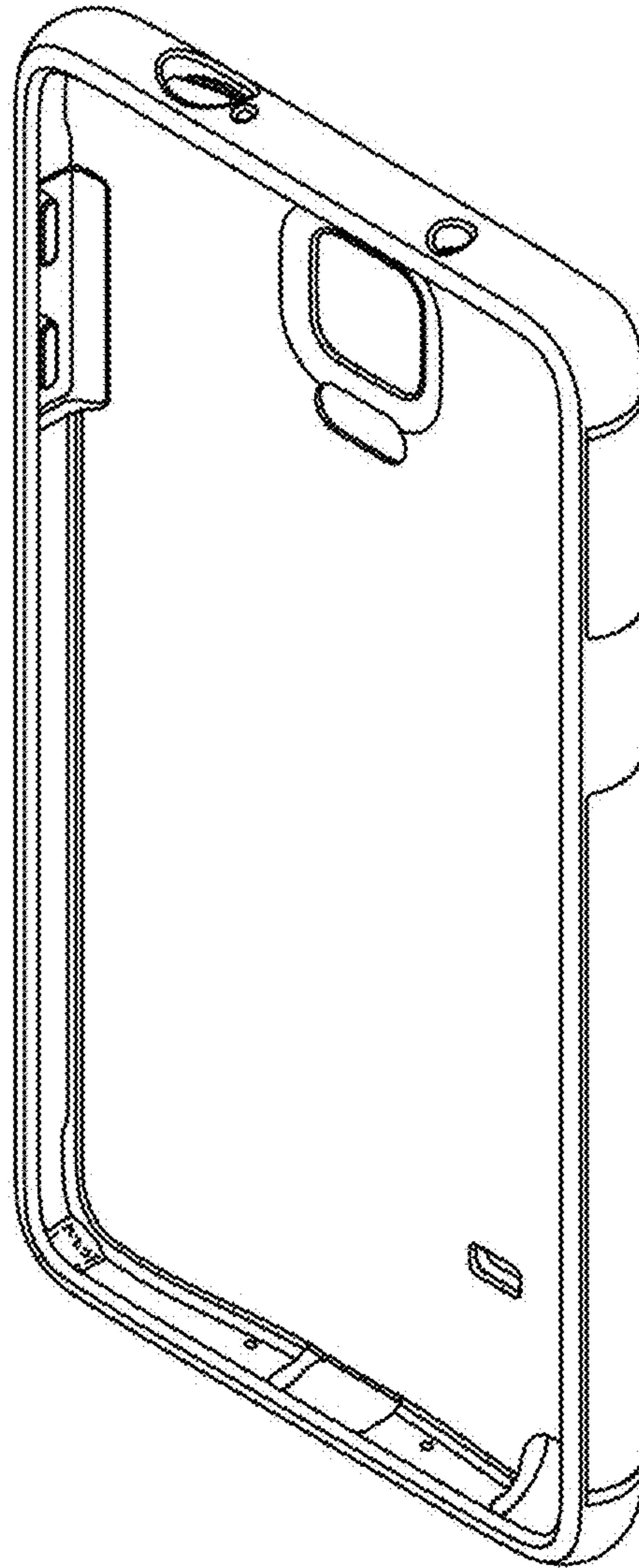


FIG. 2

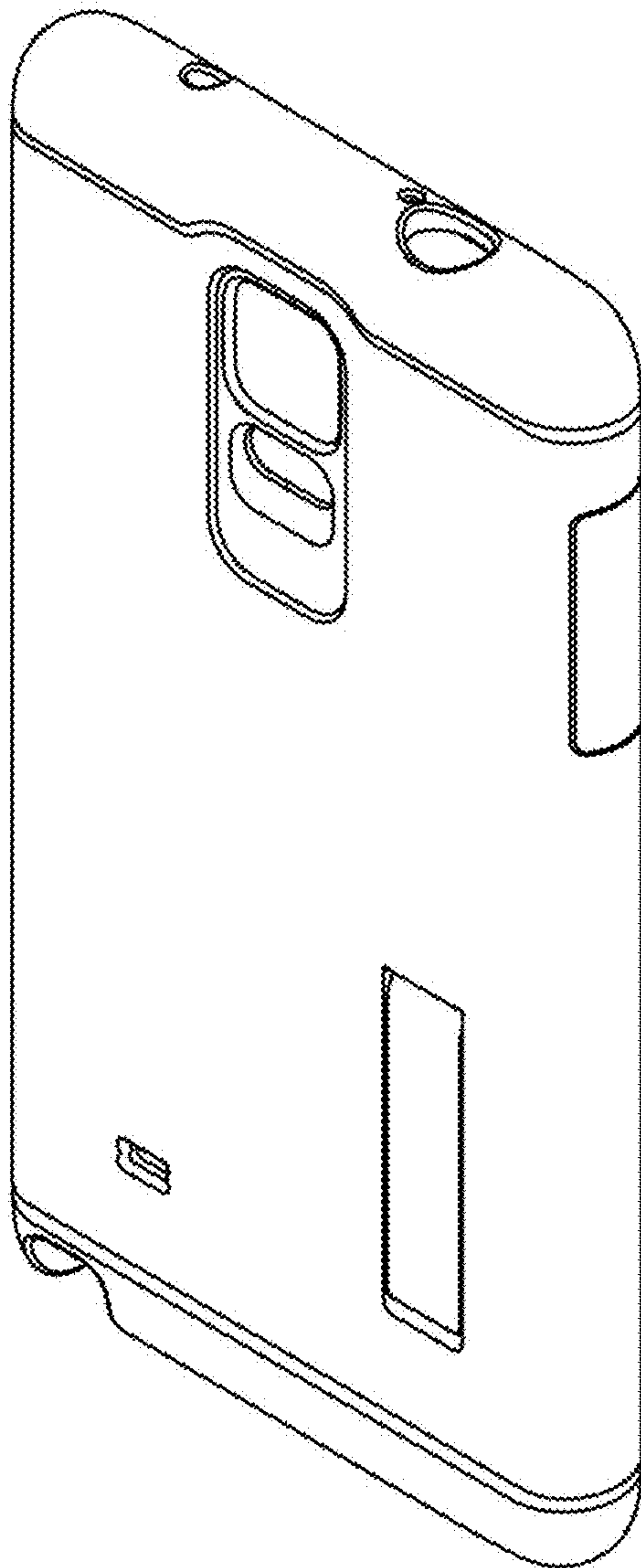


FIG. 3

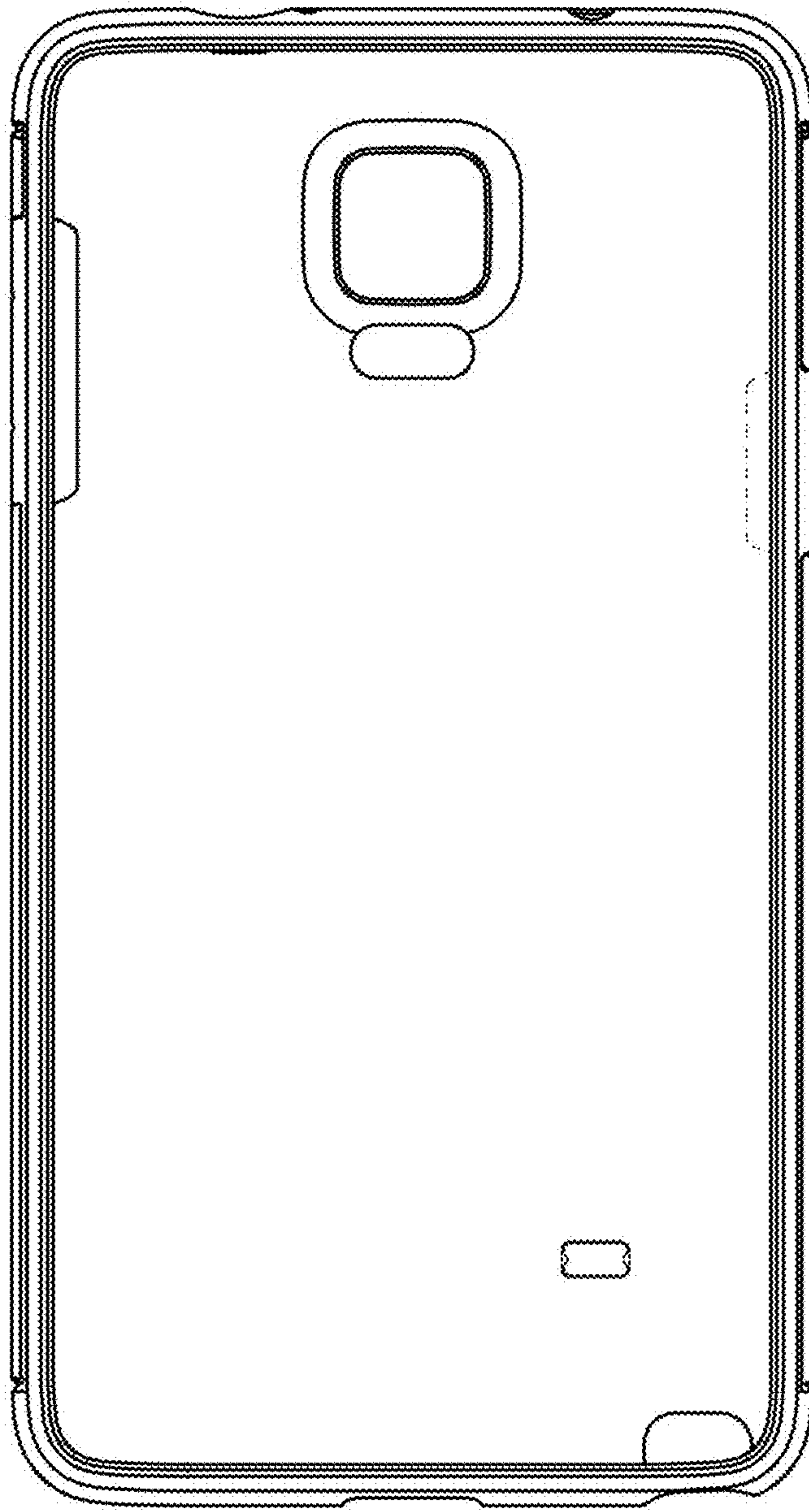


FIG. 4

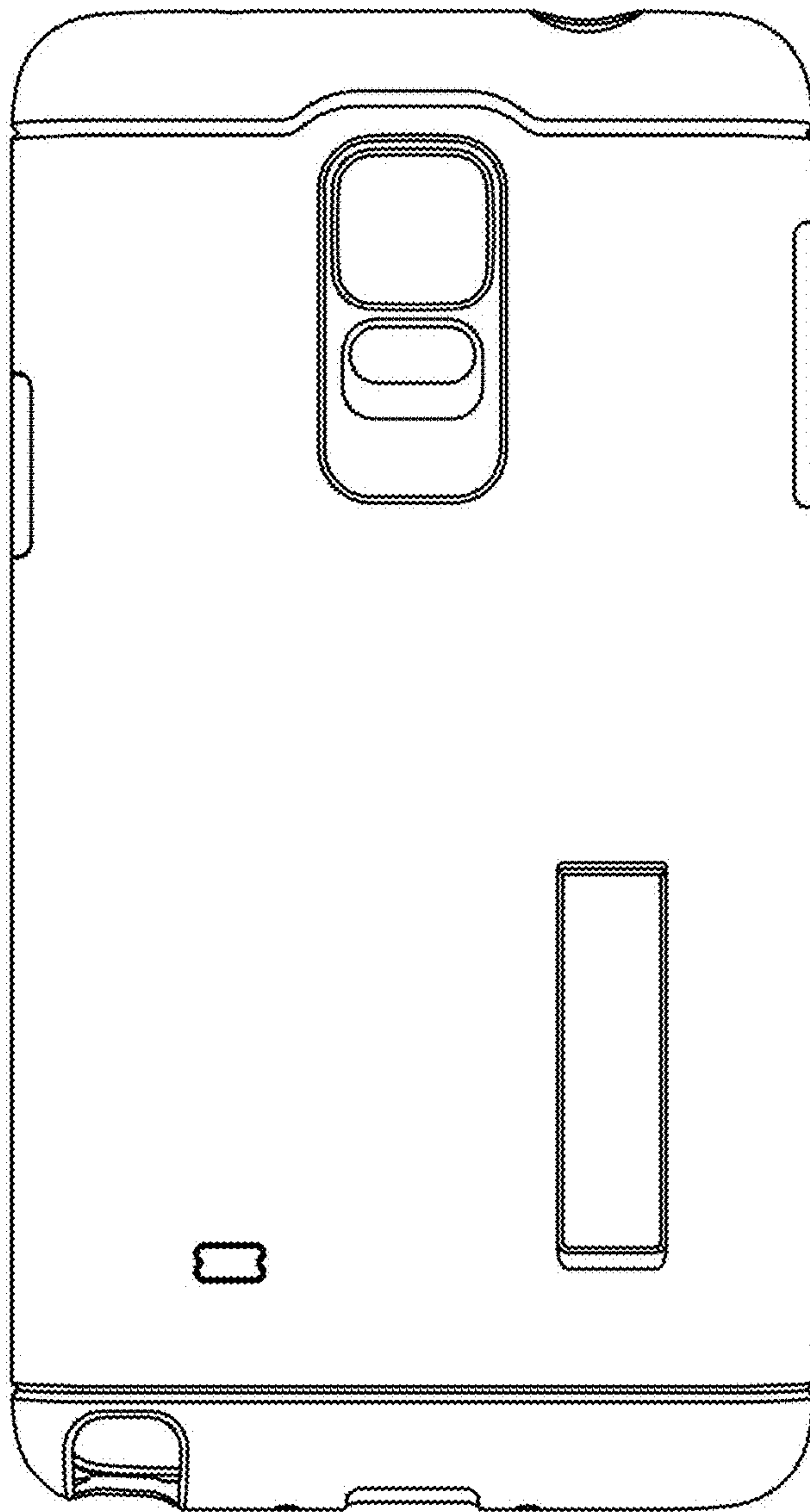


FIG. 5

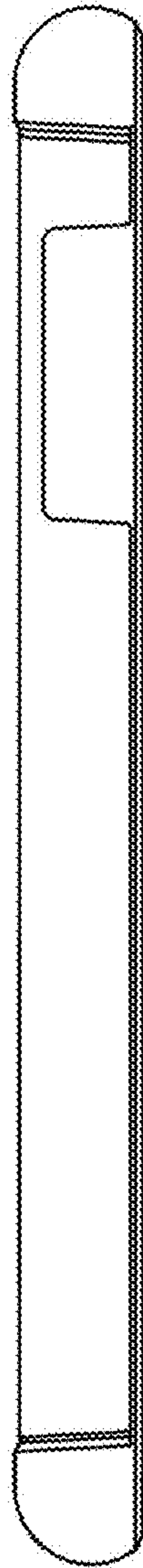


FIG. 6

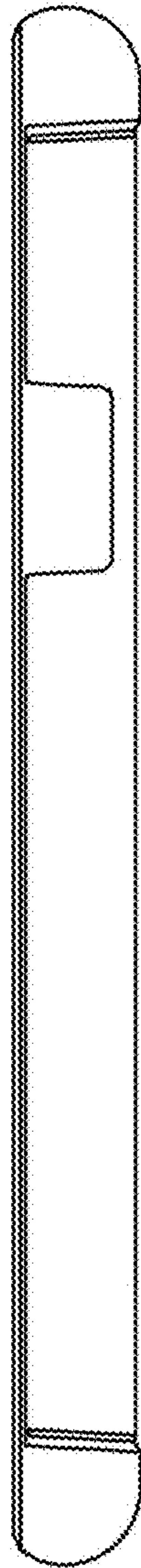


FIG. 7



FIG. 8

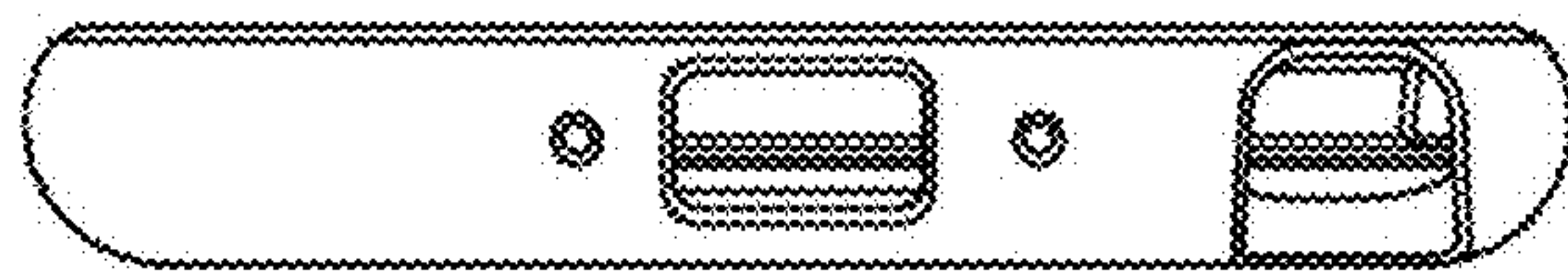


FIG. 9

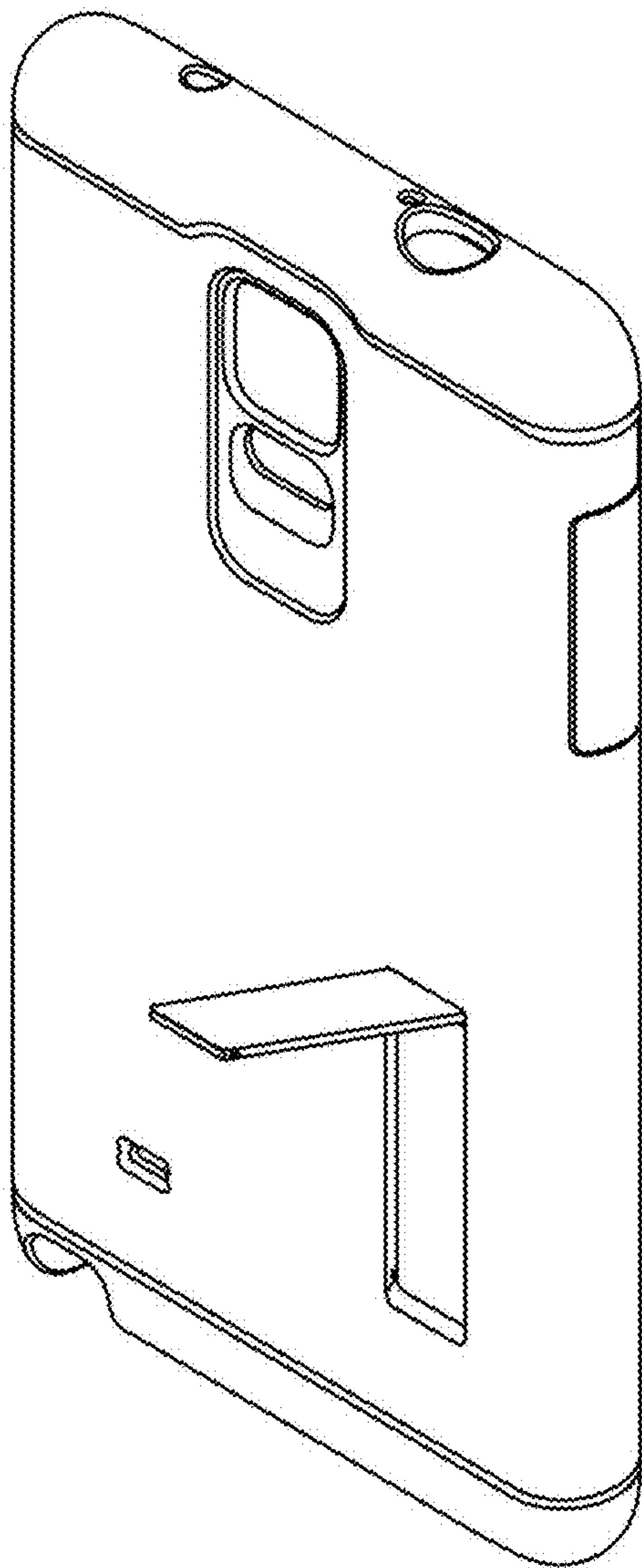


FIG. 10

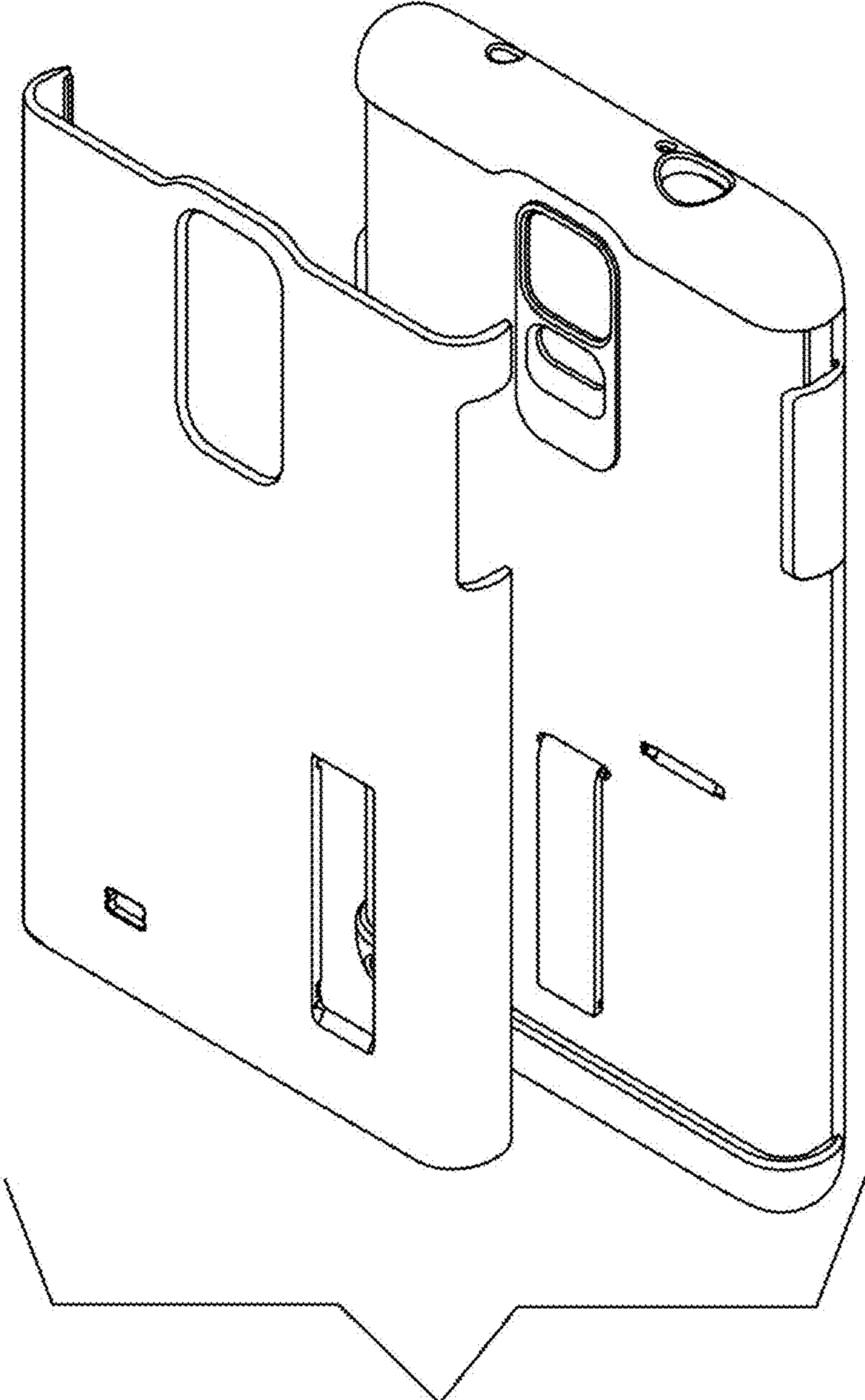


FIG. 11

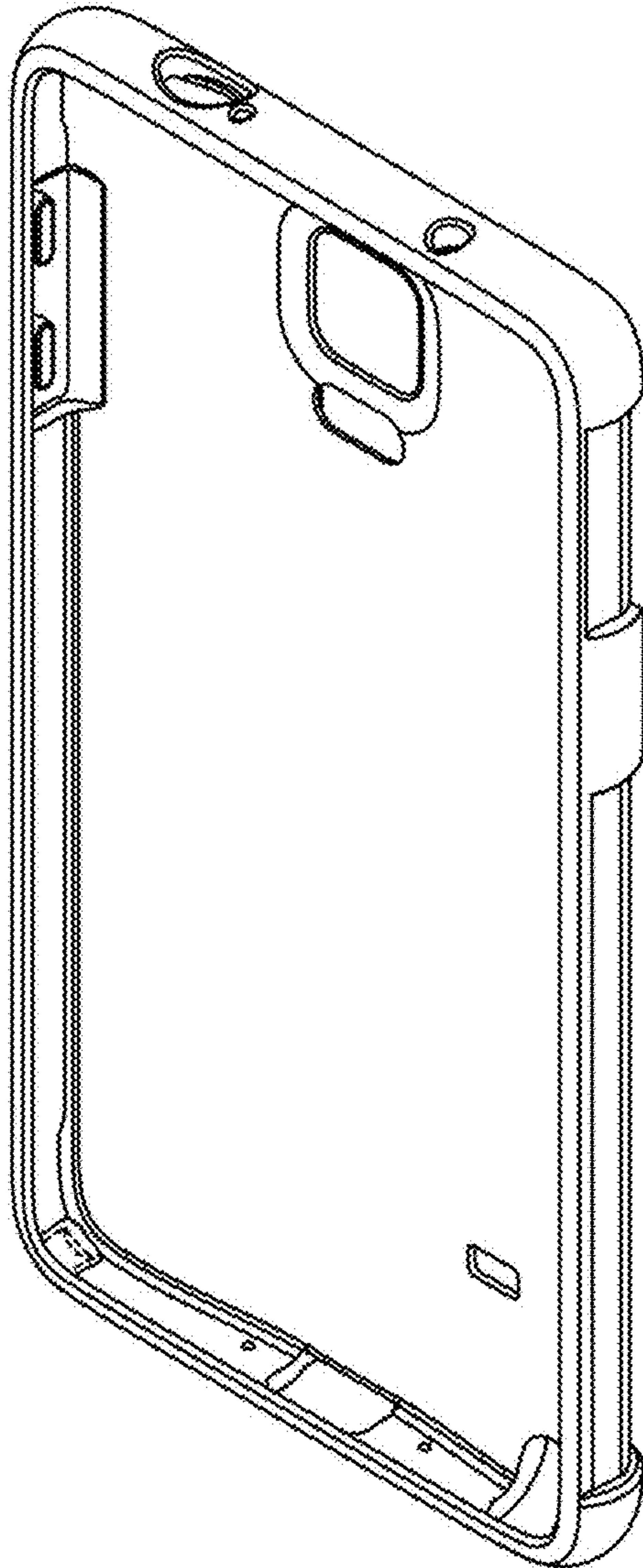


FIG. 12

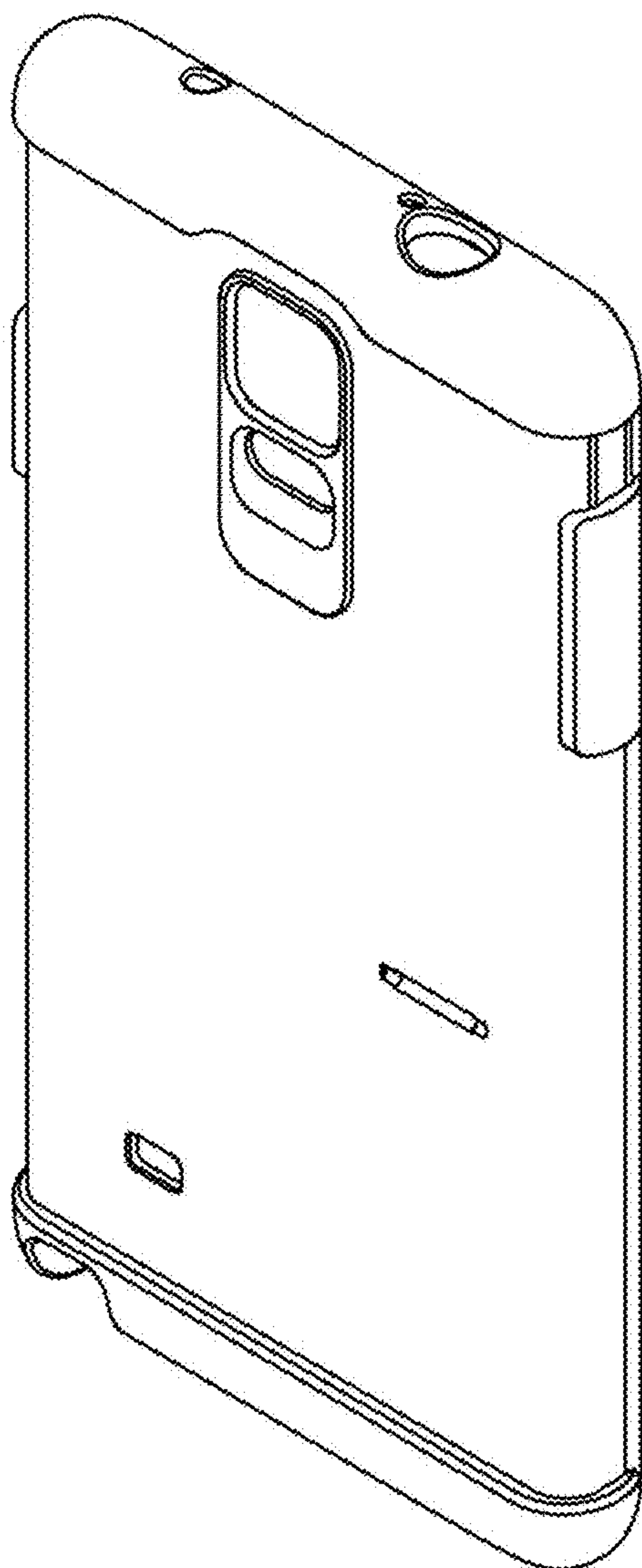


FIG. 13

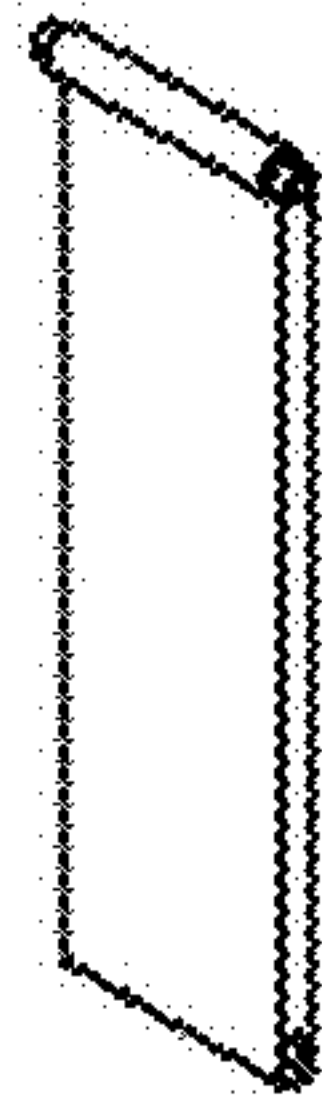


FIG. 14

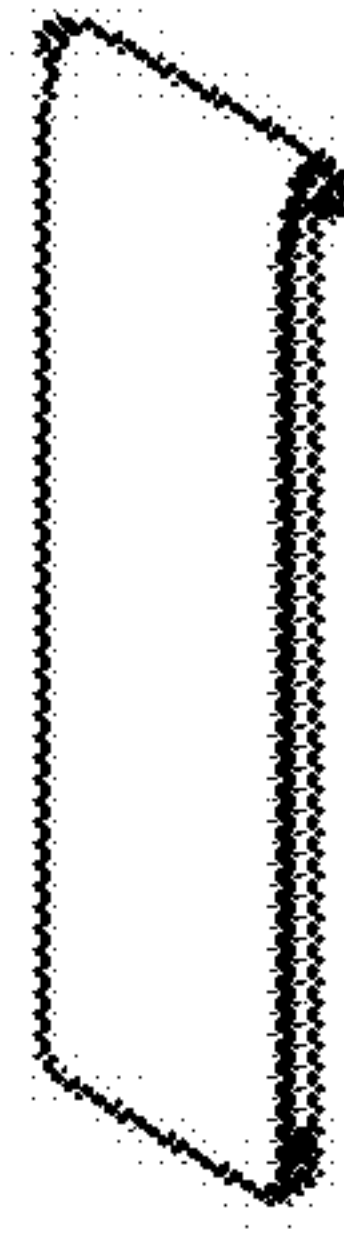


FIG. 15

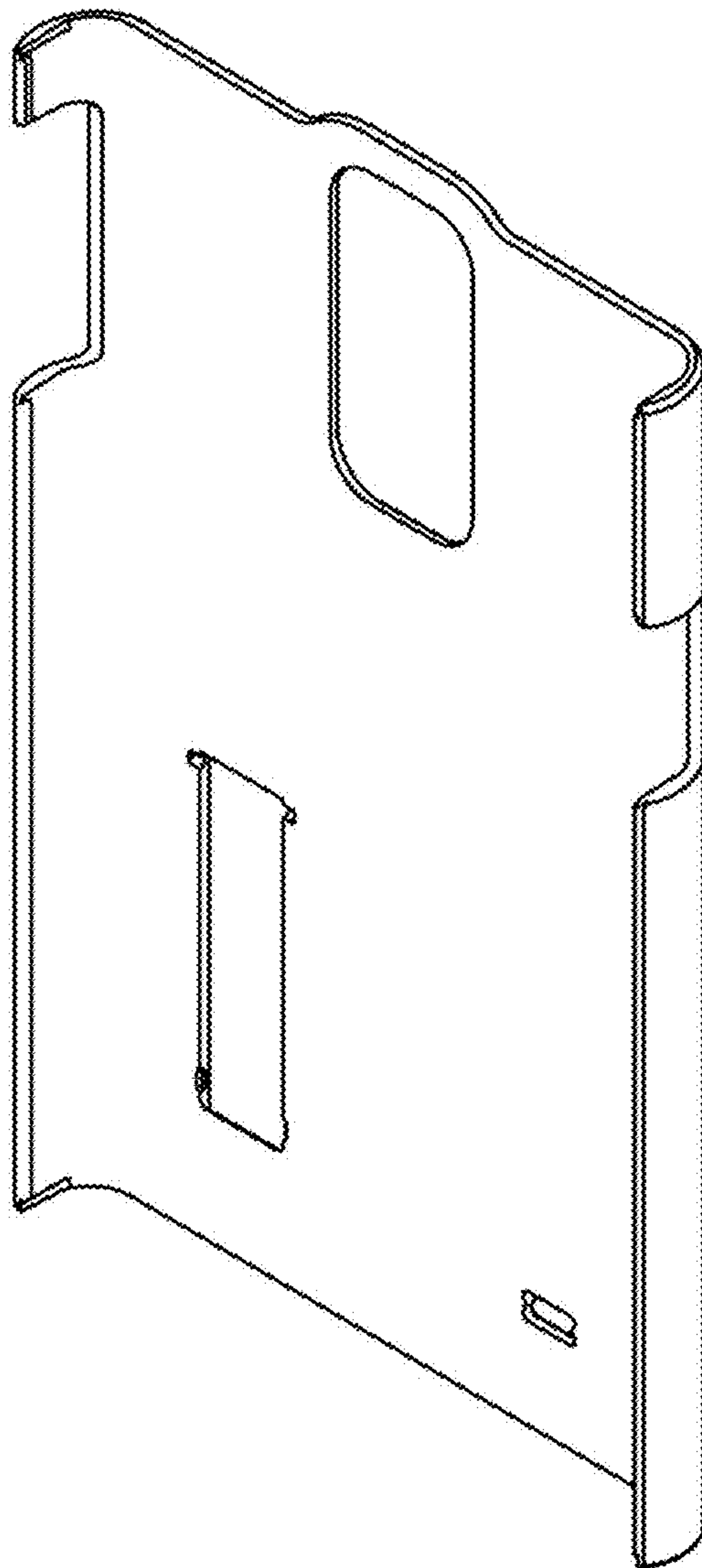


FIG. 16

