



US00D798277S

(12) **United States Design Patent** (10) **Patent No.:** **US D798,277 S**  
**Chang et al.** (45) **Date of Patent:** **\*\* Sep. 26, 2017**

- (54) **ANTENNA**
- (71) Applicant: **Airgain Incorporated**, San Diego, CA (US)
- (72) Inventors: **Wei Chang**, Zhang Jia Gang (CN); **Bei Zheng**, Zhang Jia Gang (CN); **Ziming He**, Irvine, CA (US); **Xiaowei Wu**, Zhang Jia Gang (CN); **Simon Yang**, Carlsbad, CA (US)
- (73) Assignee: **Airgain Incorporated**, San Diego, CA (US)
- (\*\*) Term: **15 Years**
- (21) Appl. No.: **29/536,048**
- (22) Filed: **Aug. 12, 2015**
- (51) **LOC (10) Cl.** ..... **14-03**
- (52) **U.S. Cl.**  
USPC ..... **D14/230**
- (58) **Field of Classification Search**  
USPC ..... D14/230, 231, 232, 233, 234, 235, 236, D14/237, 238, 138, 299, 358; D12/42, D12/43

(Continued)

(56) **References Cited**

U.S. PATENT DOCUMENTS

- D492,670 S \* 7/2004 Hung ..... D14/230
- D706,247 S \* 6/2014 Zheng ..... D14/230
- D706,750 S \* 6/2014 Bringuier ..... D14/230

(Continued)

*Primary Examiner* — Karen S Acker

*Assistant Examiner* — Jerry Hsu

(74) *Attorney, Agent, or Firm* — Clause Eight IPS; Michael Catania

(57) **CLAIM**

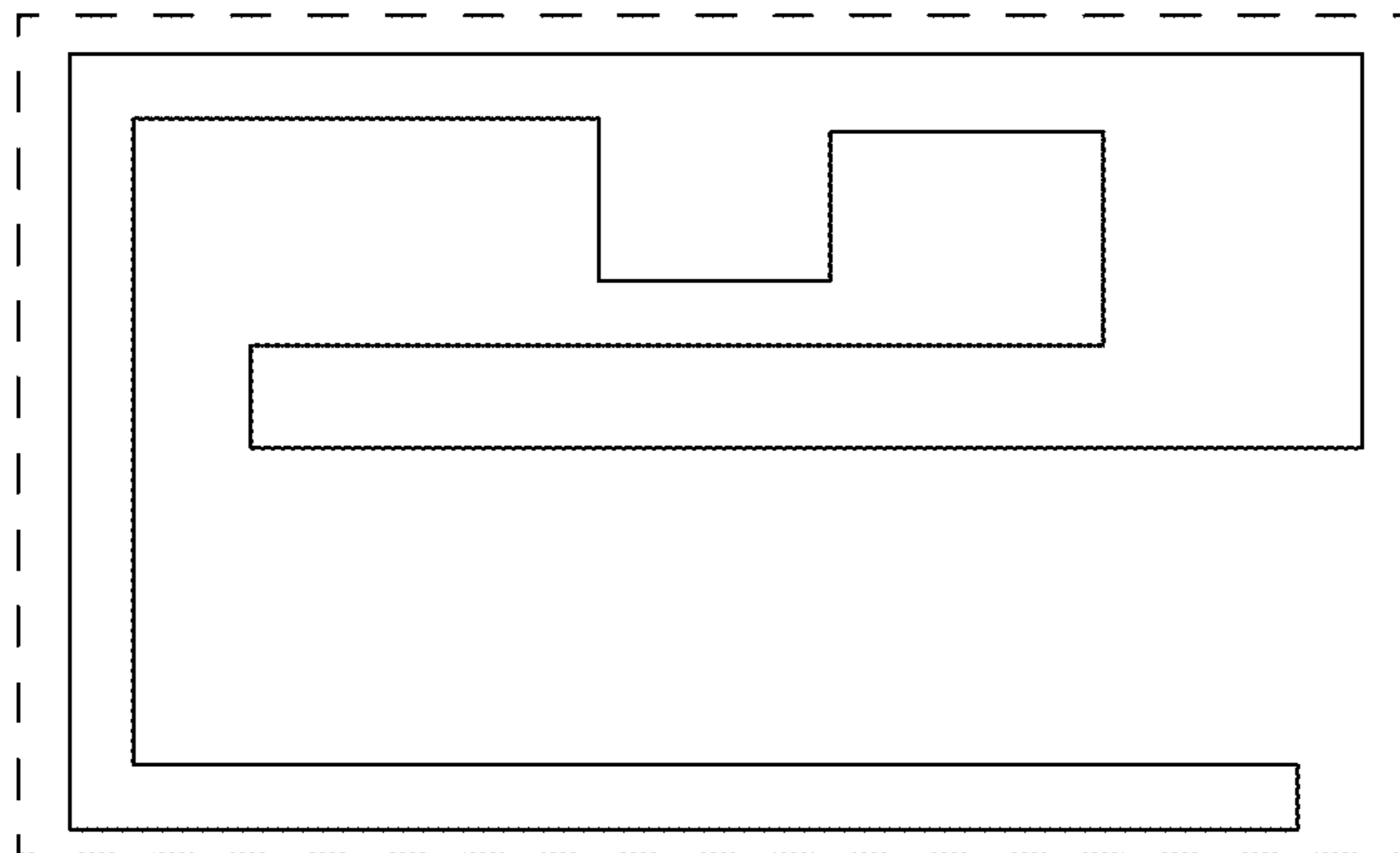
The ornamental design for an antenna, as shown and described.

**DESCRIPTION**

FIG. 1 is a front elevation view of a first embodiment of an antenna;

FIG. 2 is a top plan view.  
 FIG. 3 is a rear elevation view thereof;  
 FIG. 4 is a bottom perspective view thereof;  
 FIG. 5 is a front elevation view thereof, with the base in broken line removed;  
 FIG. 6 is a top plan view thereof;  
 FIG. 7 is a front elevation view of a second embodiment of an antenna;  
 FIG. 8 is a top plan view thereof;  
 FIG. 9 is a rear elevation view thereof;  
 FIG. 10 is a bottom perspective view thereof;  
 FIG. 11 is a front elevation view thereof, with the base in broken line removed;  
 FIG. 12 is a top plan view thereof;  
 FIG. 13 is a front elevation view of a third embodiment of an antenna;  
 FIG. 14 is a top plan view thereof;  
 FIG. 15 is a rear elevation view thereof;  
 FIG. 16 is a bottom perspective view thereof;  
 FIG. 17 is a front elevation view thereof, with the base in broken line removed;  
 FIG. 18 is a top plan view thereof;  
 FIG. 19 is a front elevation view of a fourth embodiment of an antenna;  
 FIG. 20 is a top plan view thereof;  
 FIG. 21 is a rear elevation view thereof;  
 FIG. 22 is a bottom perspective view thereof;  
 FIG. 23 is a front elevation view thereof, with the base in broken line removed;  
 FIG. 24 is a top plan view thereof;  
 FIG. 25 is a front elevation view of a fifth embodiment of an antenna;  
 FIG. 26 is a top plan view thereof;  
 FIG. 27 is a rear elevation view thereof;  
 FIG. 28 is a bottom perspective view thereof;  
 FIG. 29 is a front elevation view thereof, with the base in broken line removed; and,  
 FIG. 30 is a top plan view thereof.  
 The broken lines showing a base represent environment and form no part of the claimed design.

**1 Claim, 15 Drawing Sheets**



(58) **Field of Classification Search**

CPC ..... H01Q 7/00; H01Q 13/10; H01Q 9/285;  
H01Q 19/30; H01Q 19/12; H01Q 1/38;  
H01Q 1/36; H01Q 1/42; H01Q 1/242;  
H01Q 1/243; H01Q 1/2266

See application file for complete search history.

(56) **References Cited**

U.S. PATENT DOCUMENTS

D716,775 S *	11/2014	Bidermann	.....	D14/230
D763,834 S *	8/2016	Zheng	.....	D14/230
D766,883 S *	9/2016	Yang	.....	D14/230
D767,544 S *	9/2016	Yang	.....	D14/230
D768,118 S *	10/2016	Chang	.....	D14/230
D773,444 S *	12/2016	He	.....	D14/230
2004/0222936 A1 *	11/2004	Hung	.....	H01Q 1/38 343/795
2008/0088522 A1 *	4/2008	Huang	.....	H01Q 1/38 343/846
2010/0085262 A1 *	4/2010	Wolf	.....	H01Q 3/24 343/768
2012/0038514 A1 *	2/2012	Bang	.....	H05K 1/16 343/700 MS

\* cited by examiner

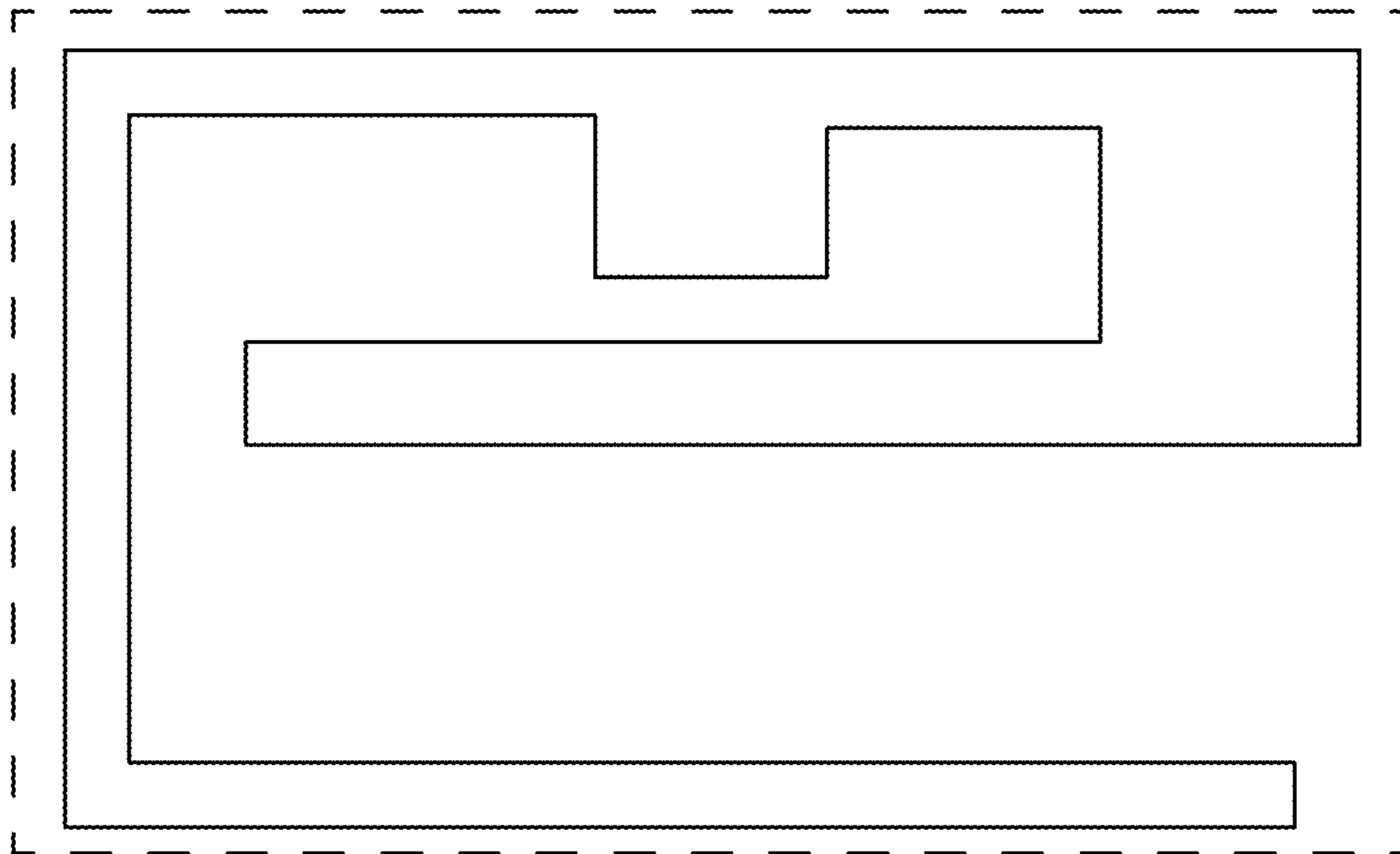


FIG. 1

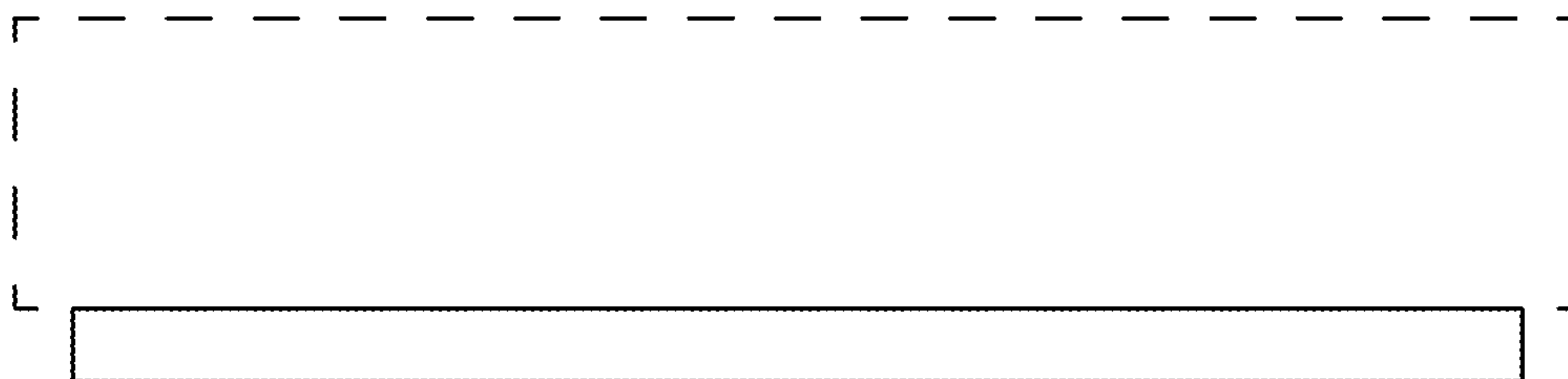


FIG. 2



FIG. 3

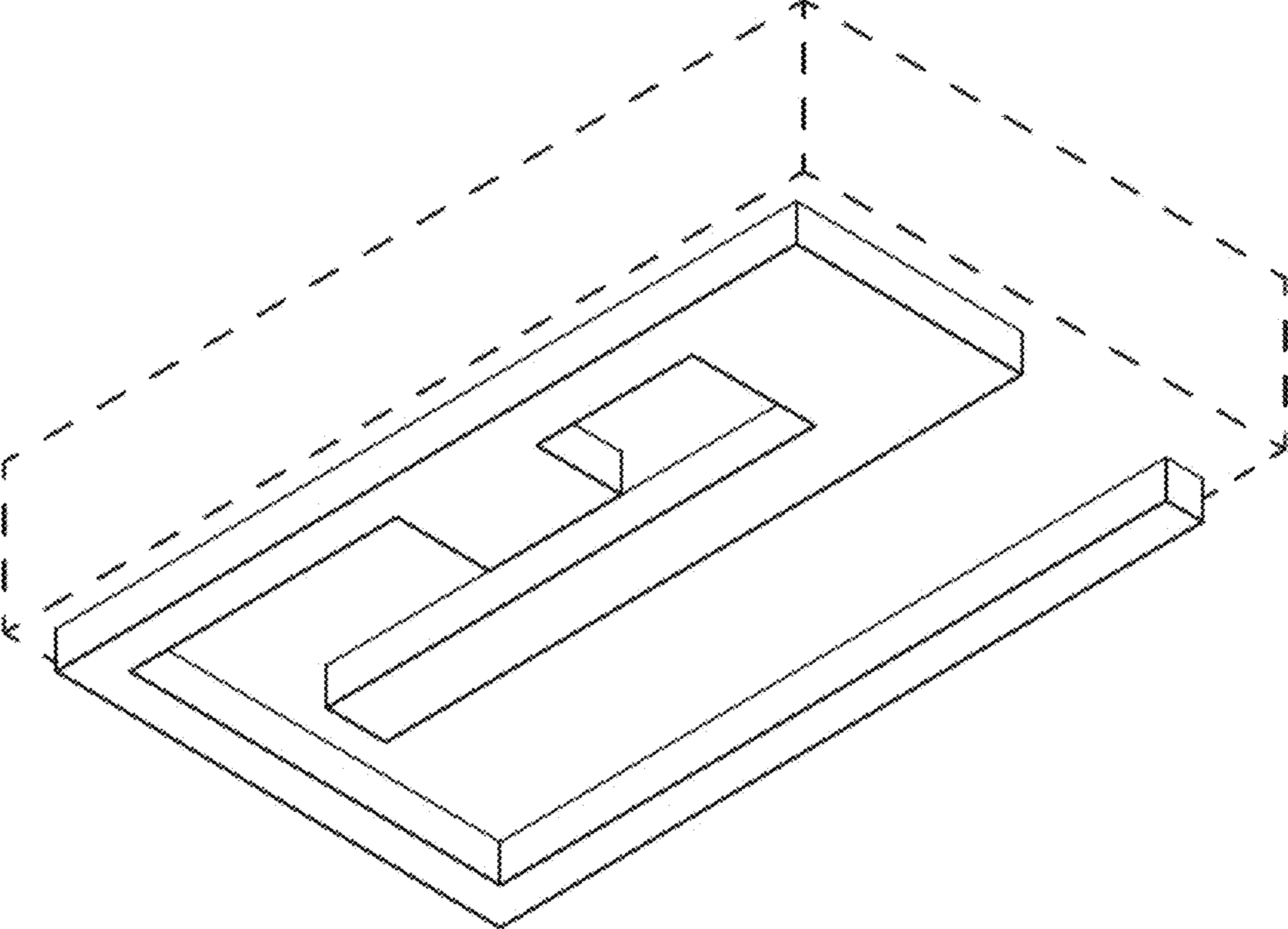


FIG. 4

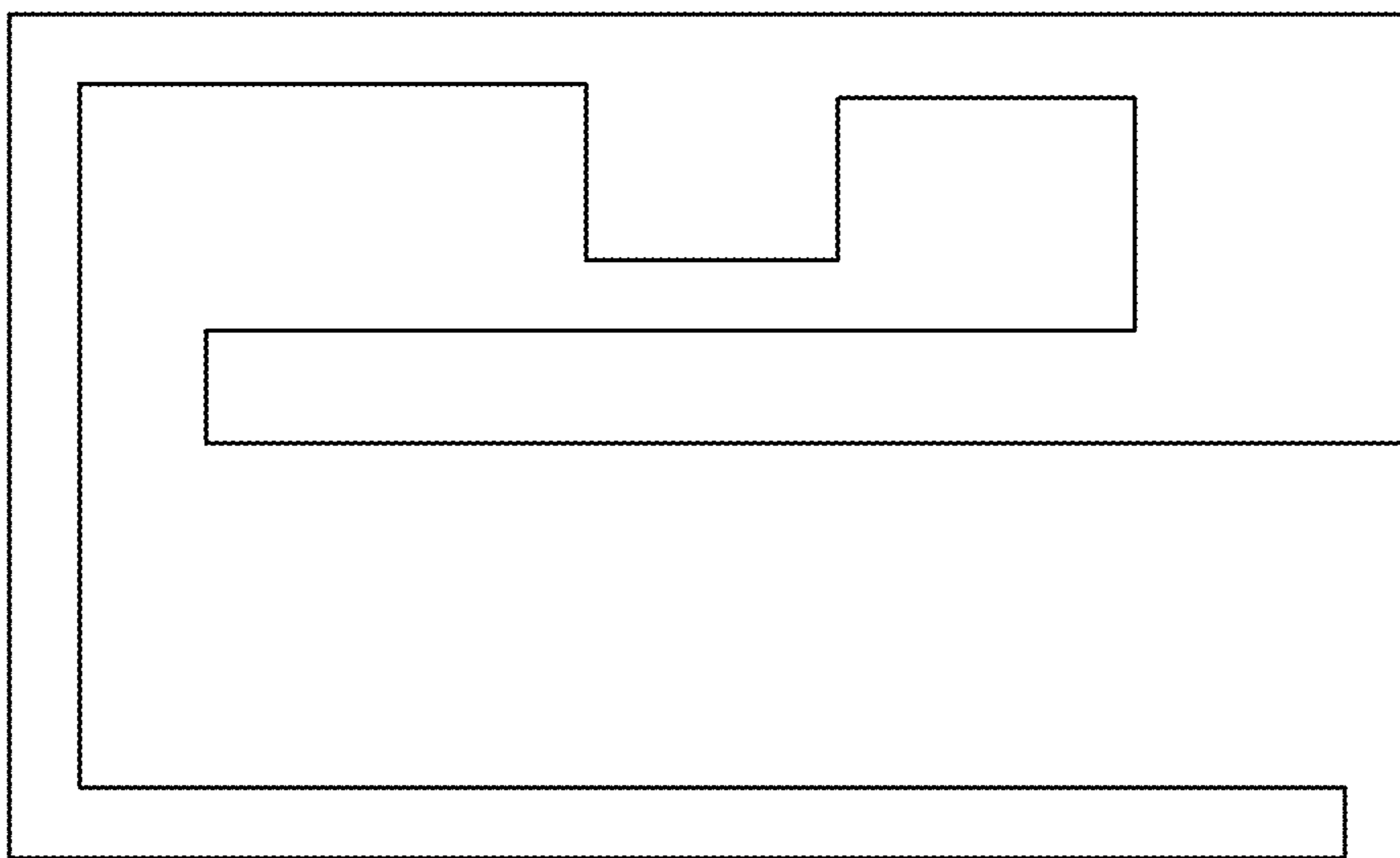


FIG. 5

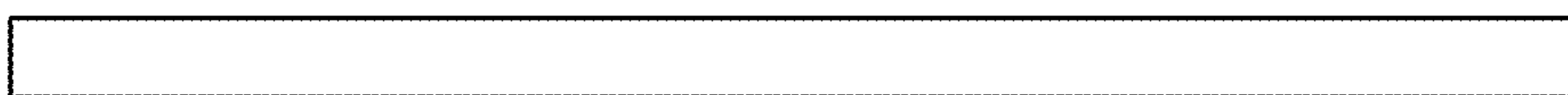


FIG. 6



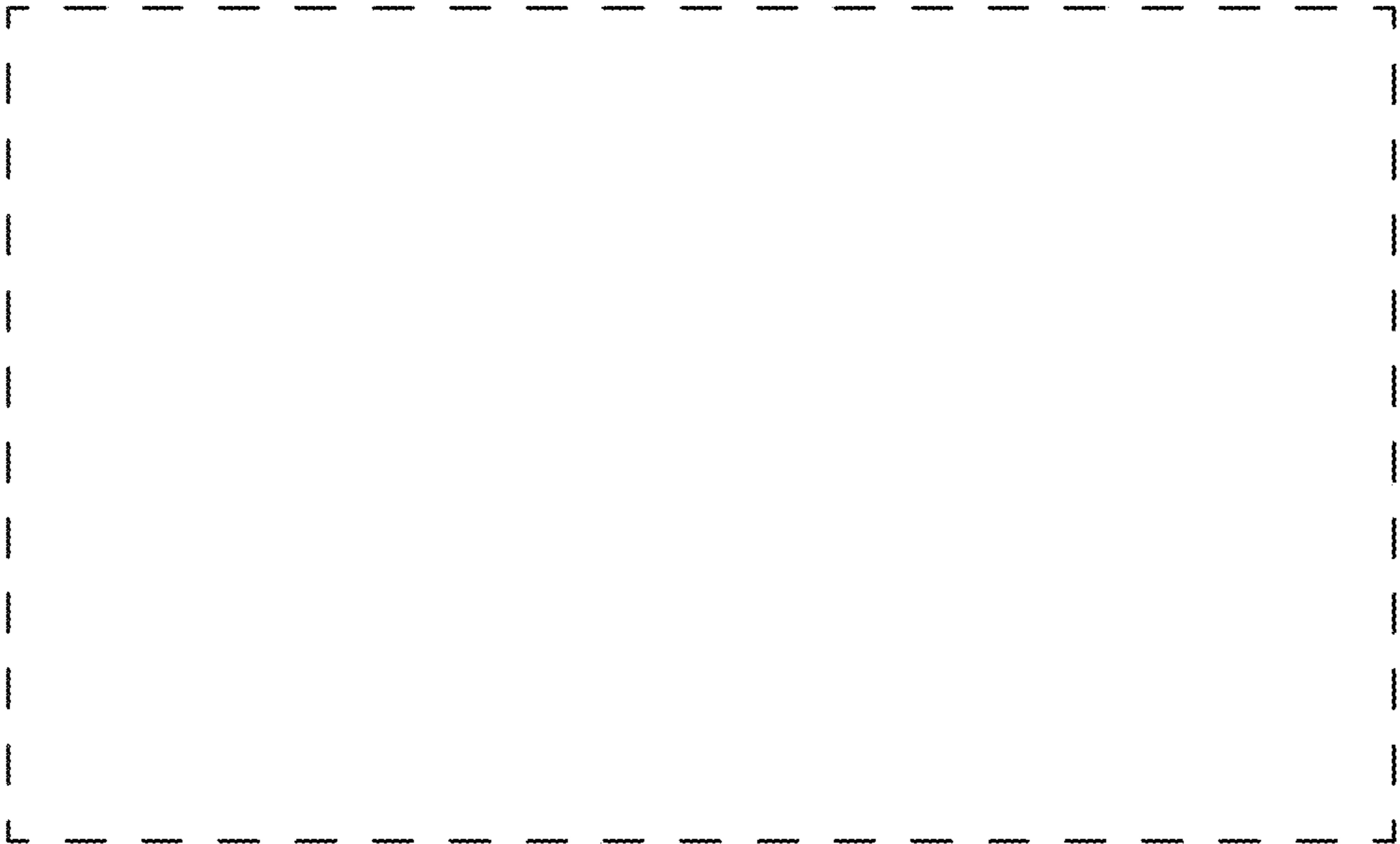


FIG. 9

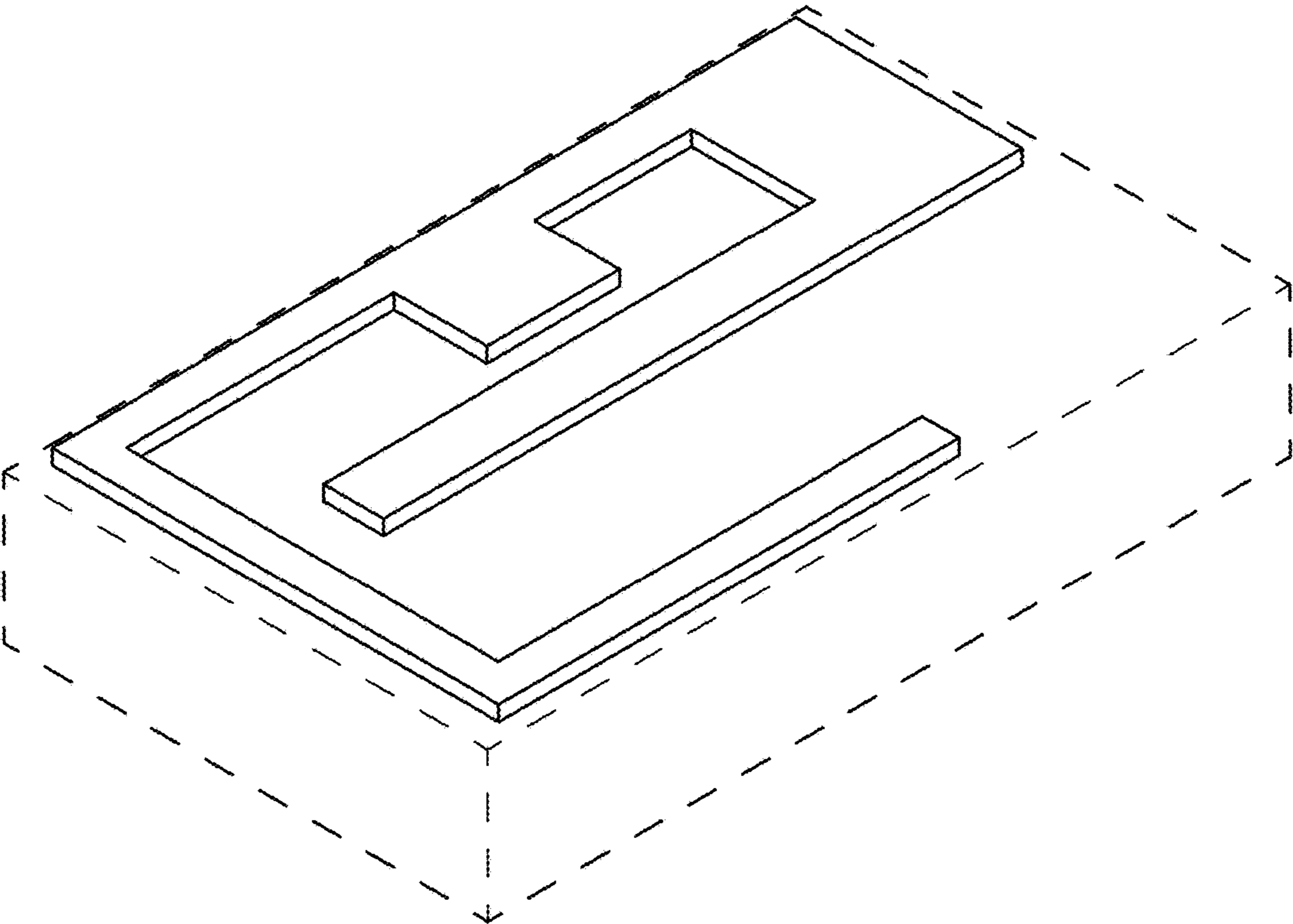


FIG. 10

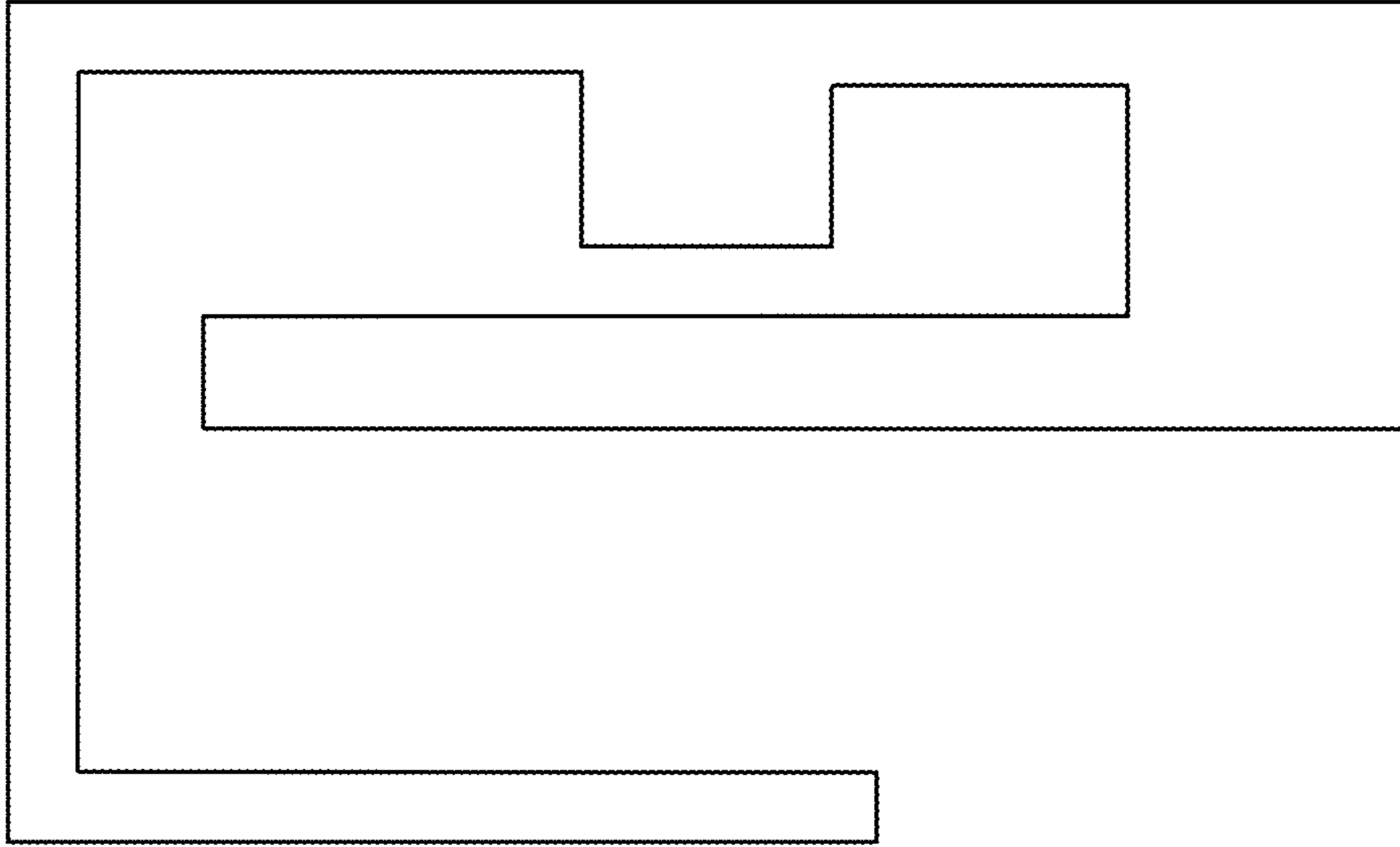


FIG. 11

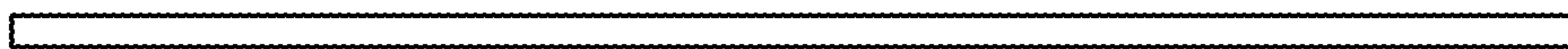


FIG. 12



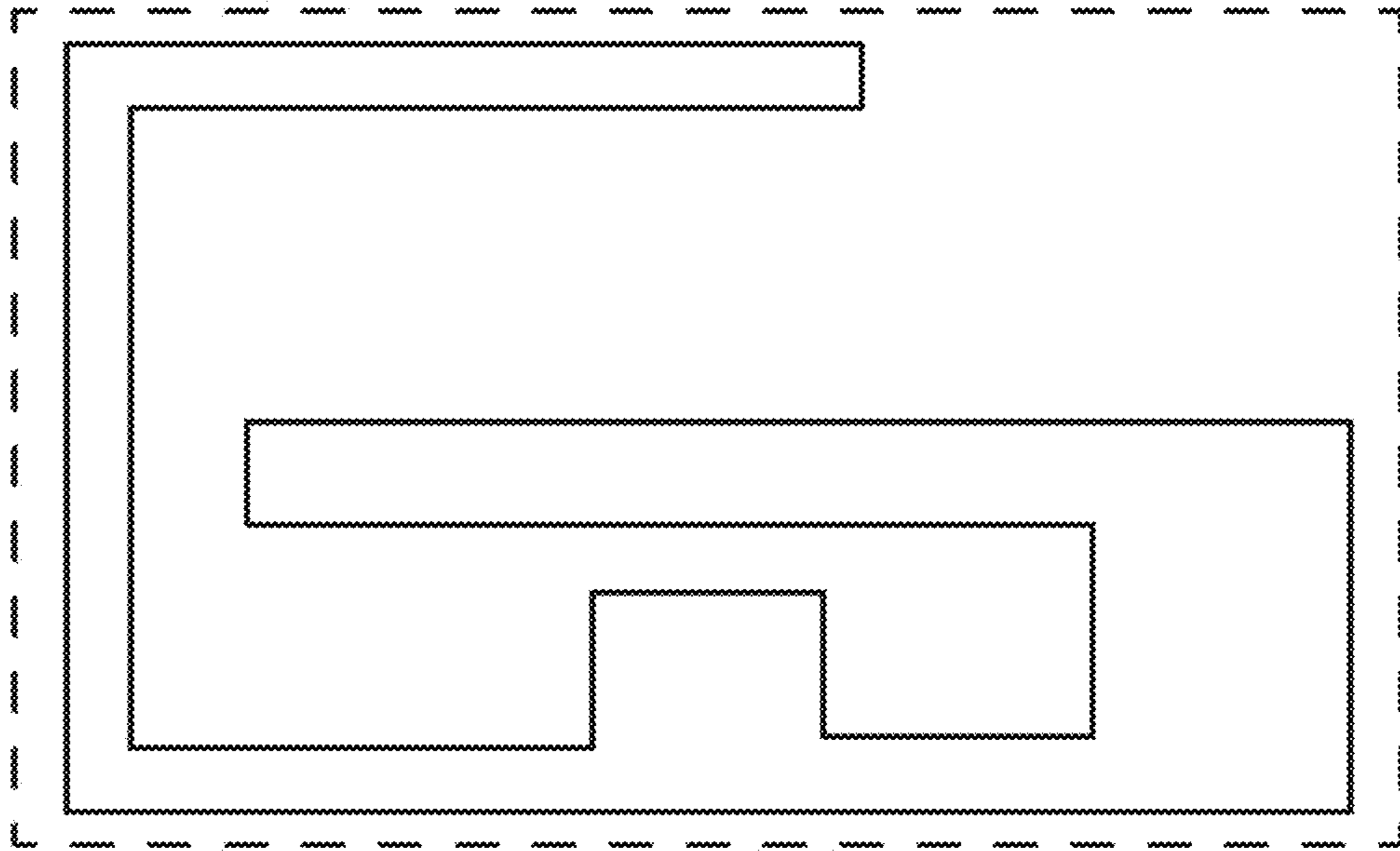


FIG. 13



FIG. 14

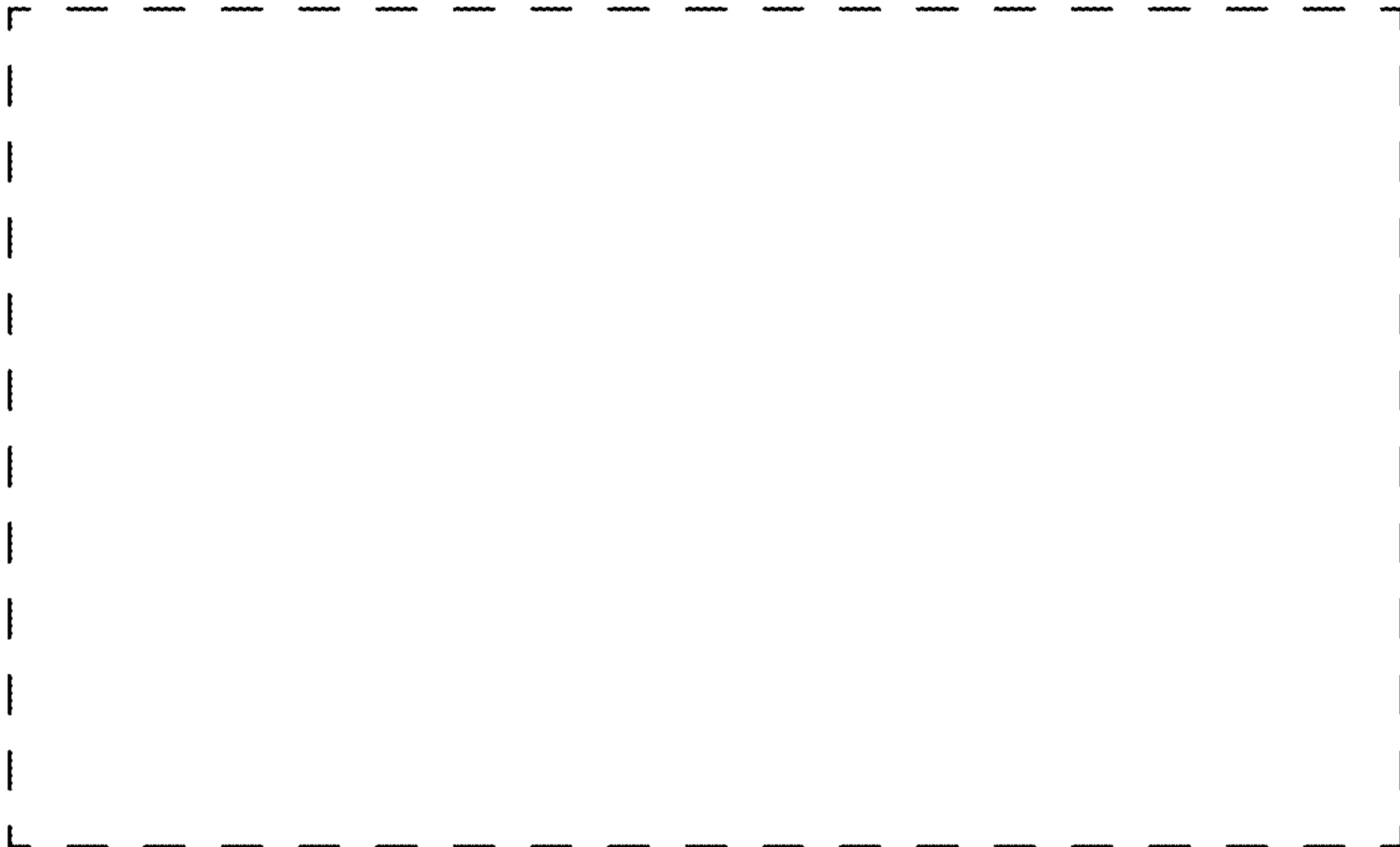


FIG. 15

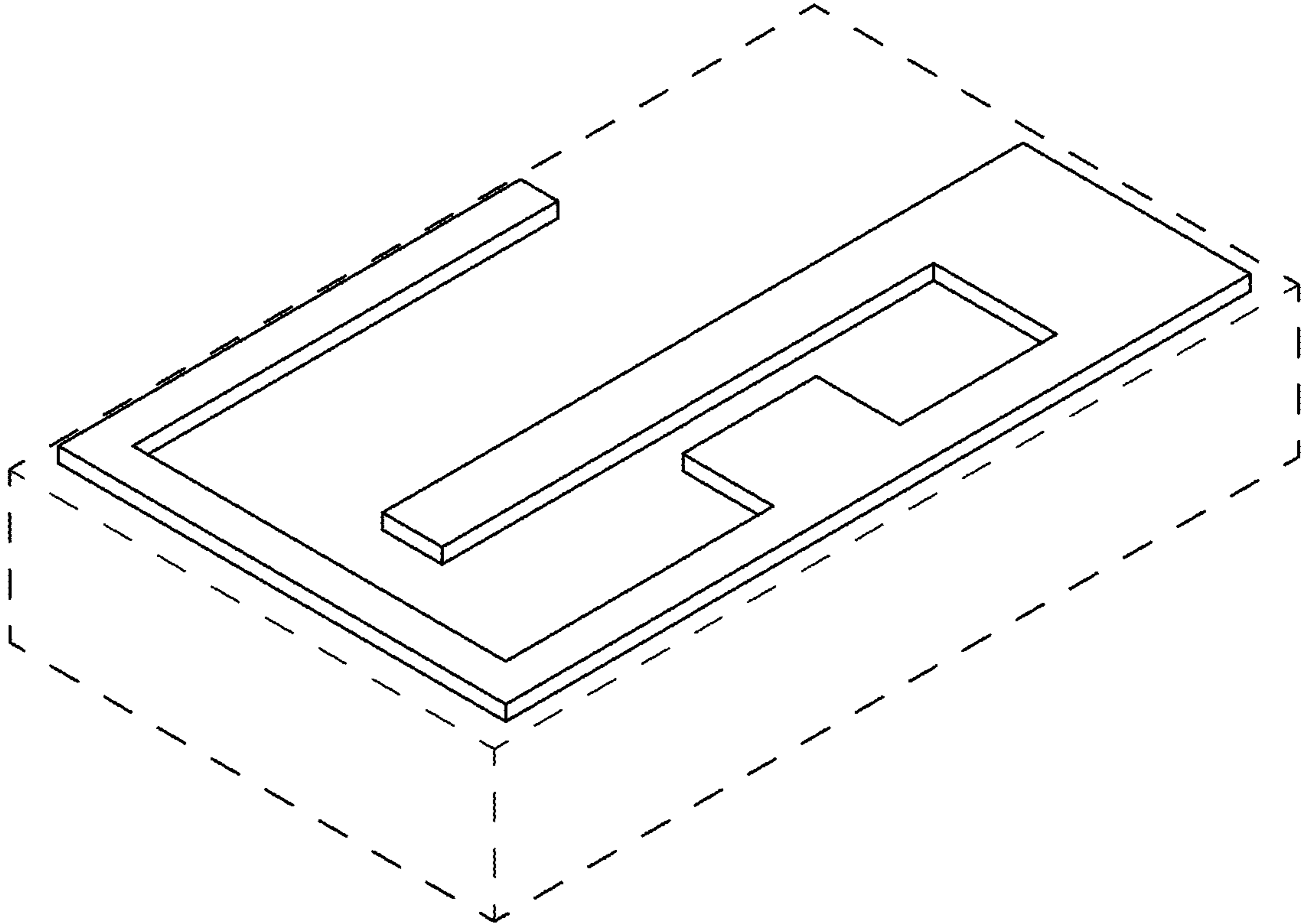


FIG. 16



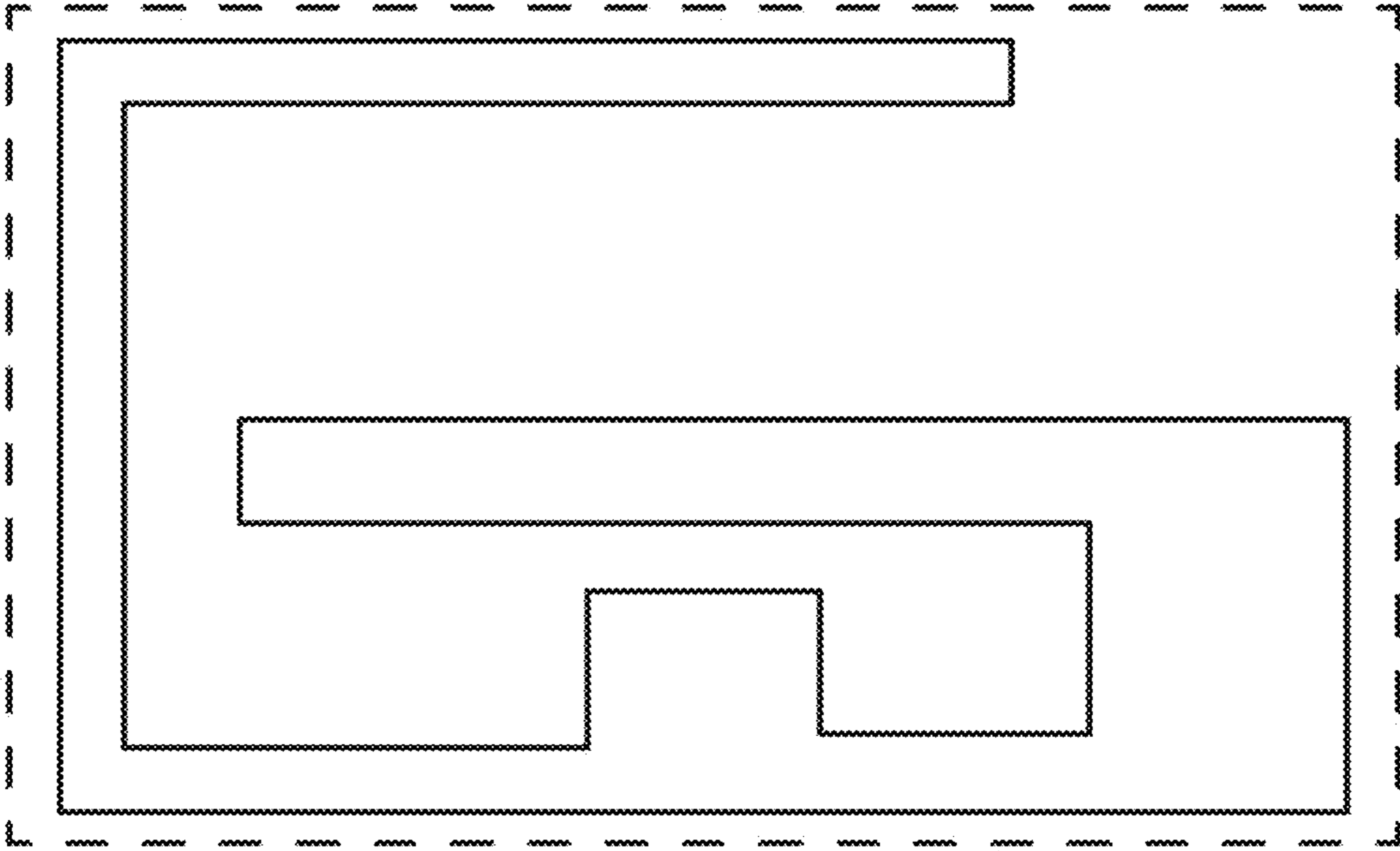


FIG. 19

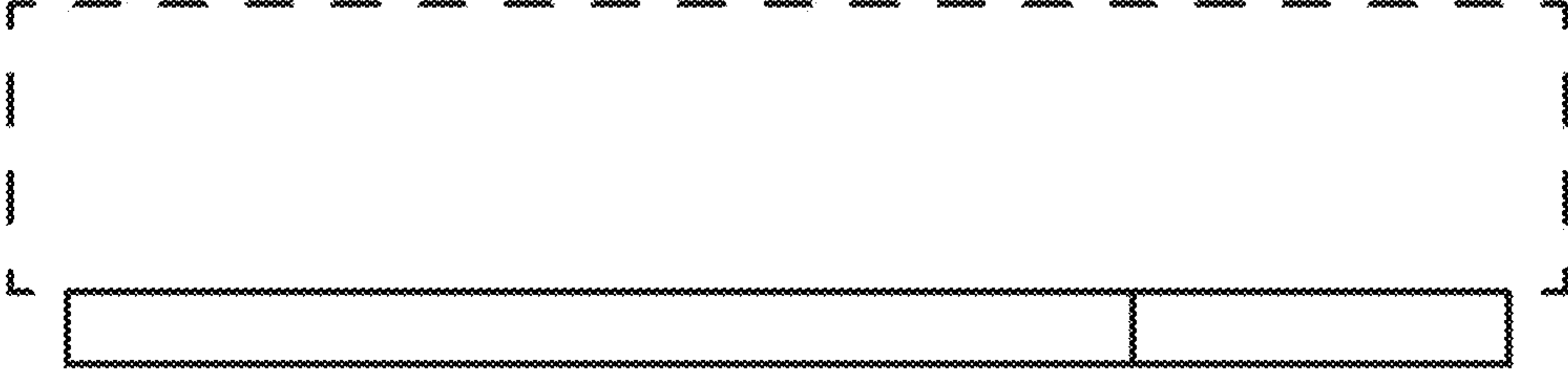


FIG. 20

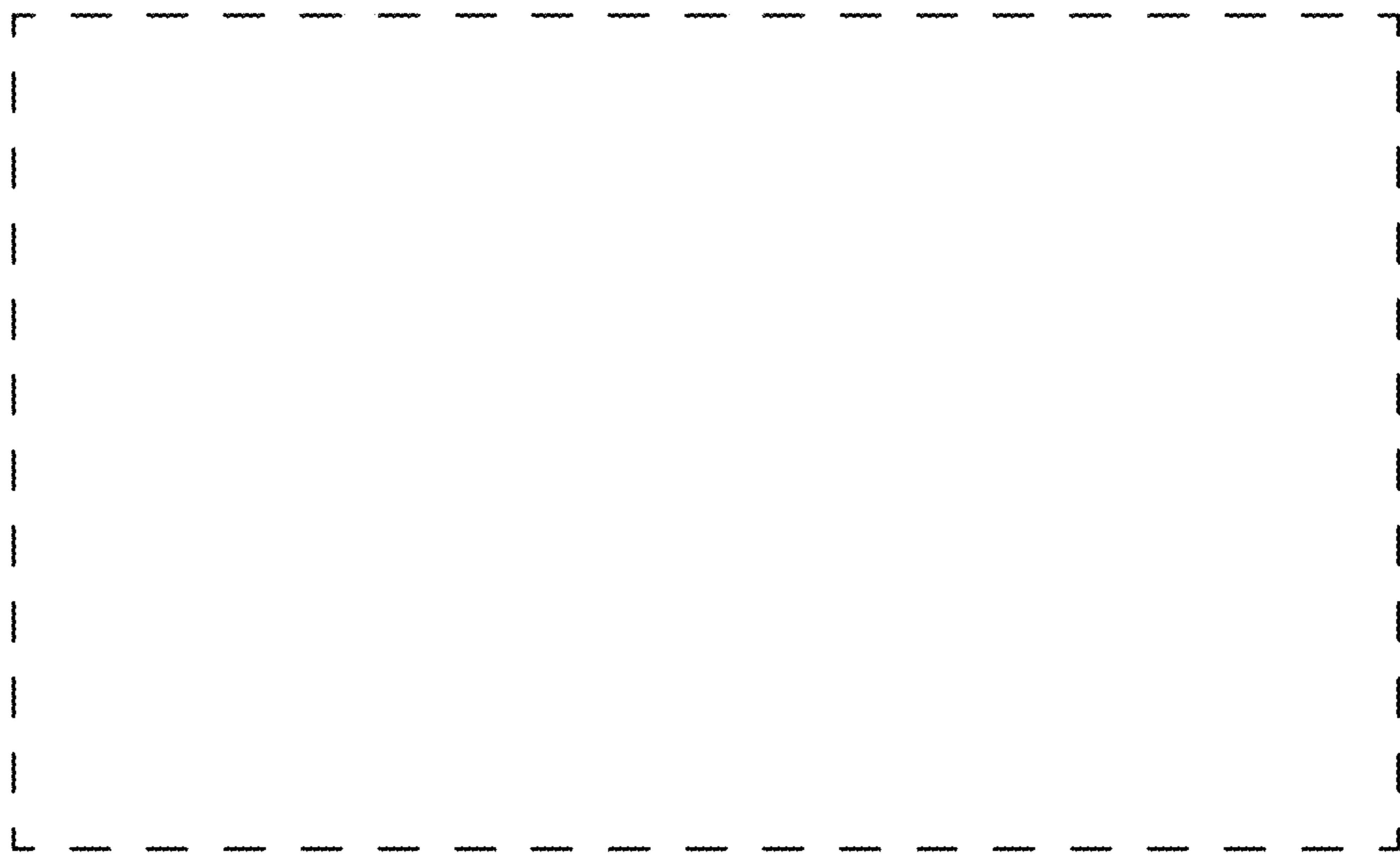


FIG. 21

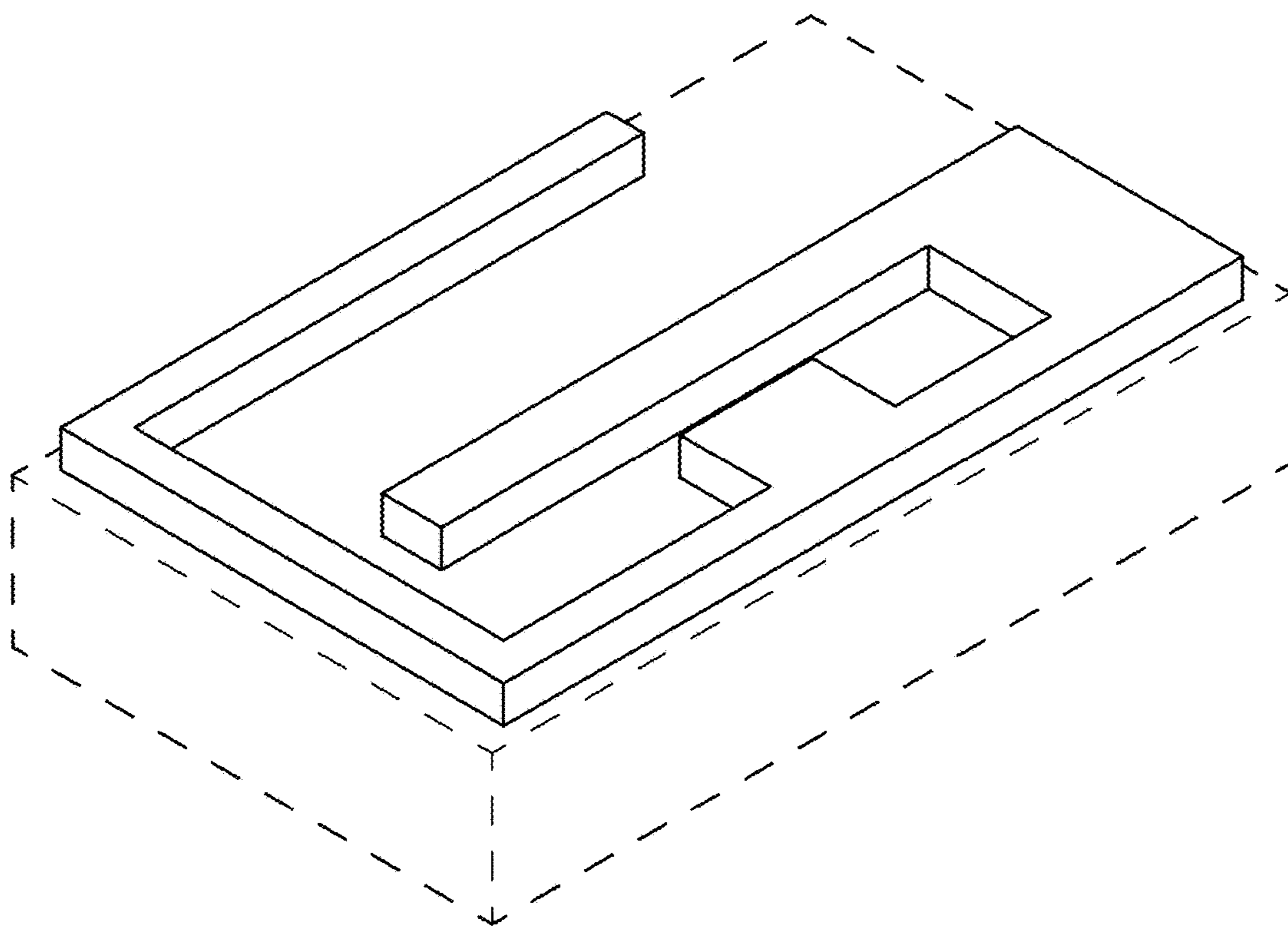


FIG. 22

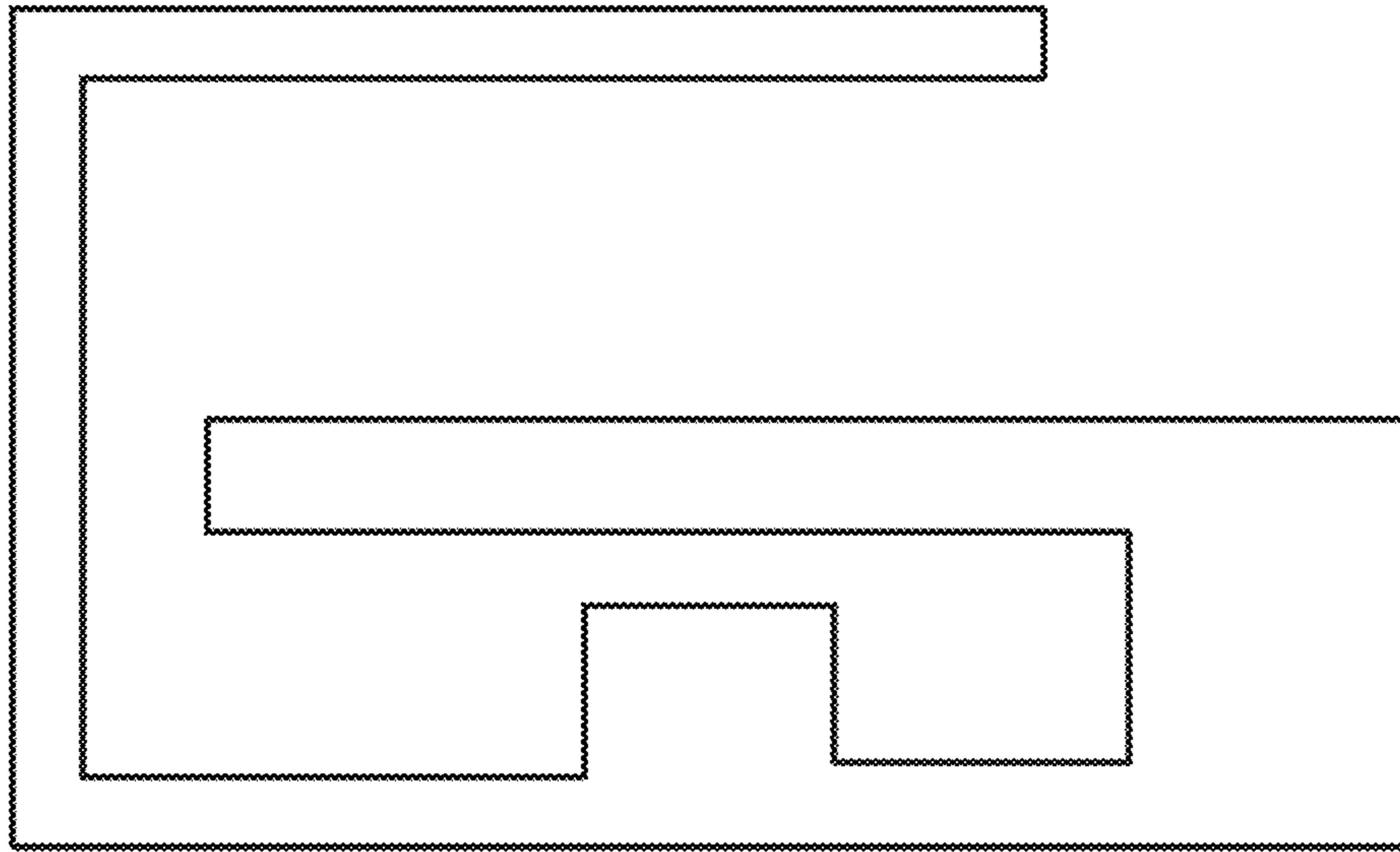


FIG. 23



FIG. 24

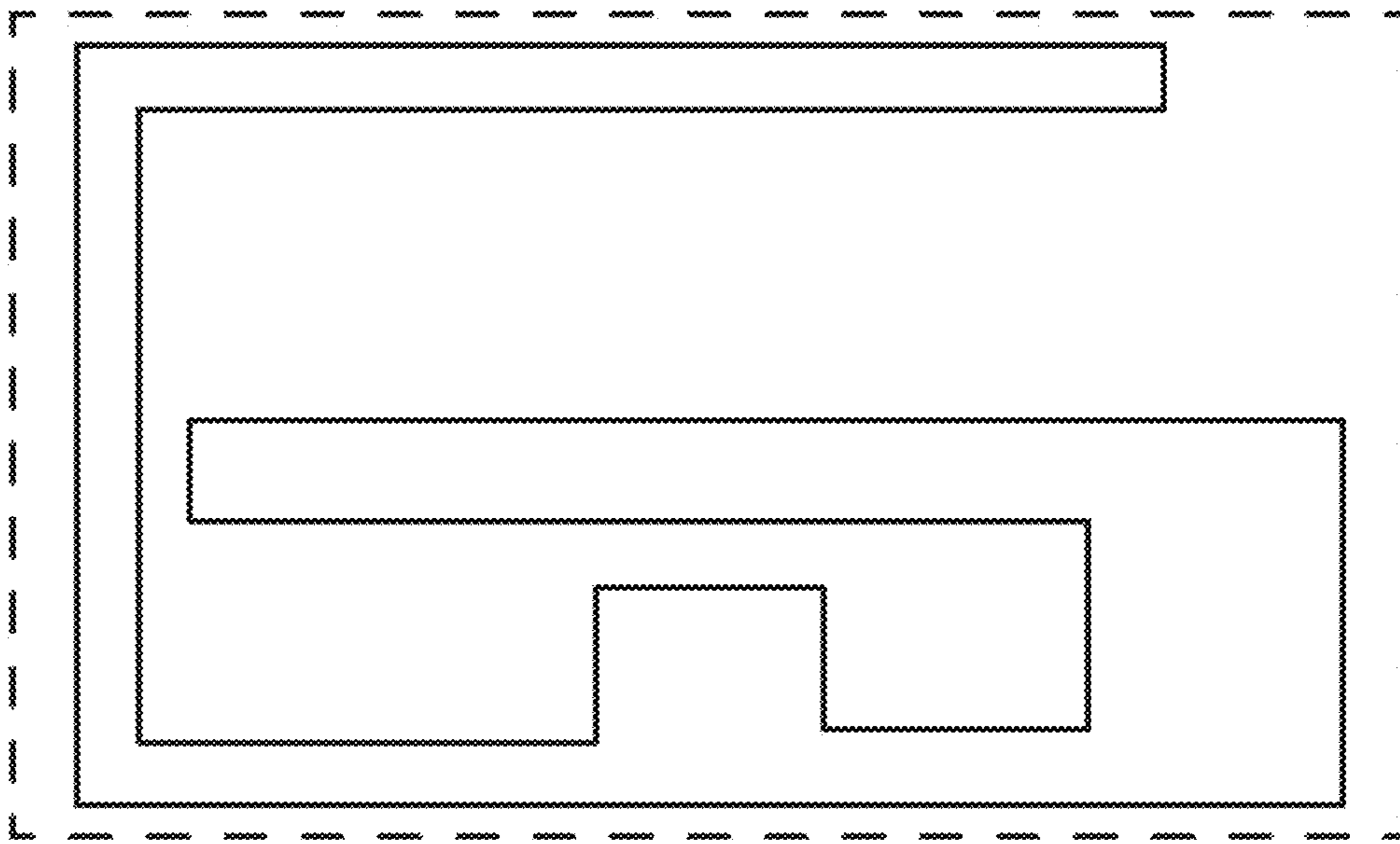


FIG. 25



FIG. 26

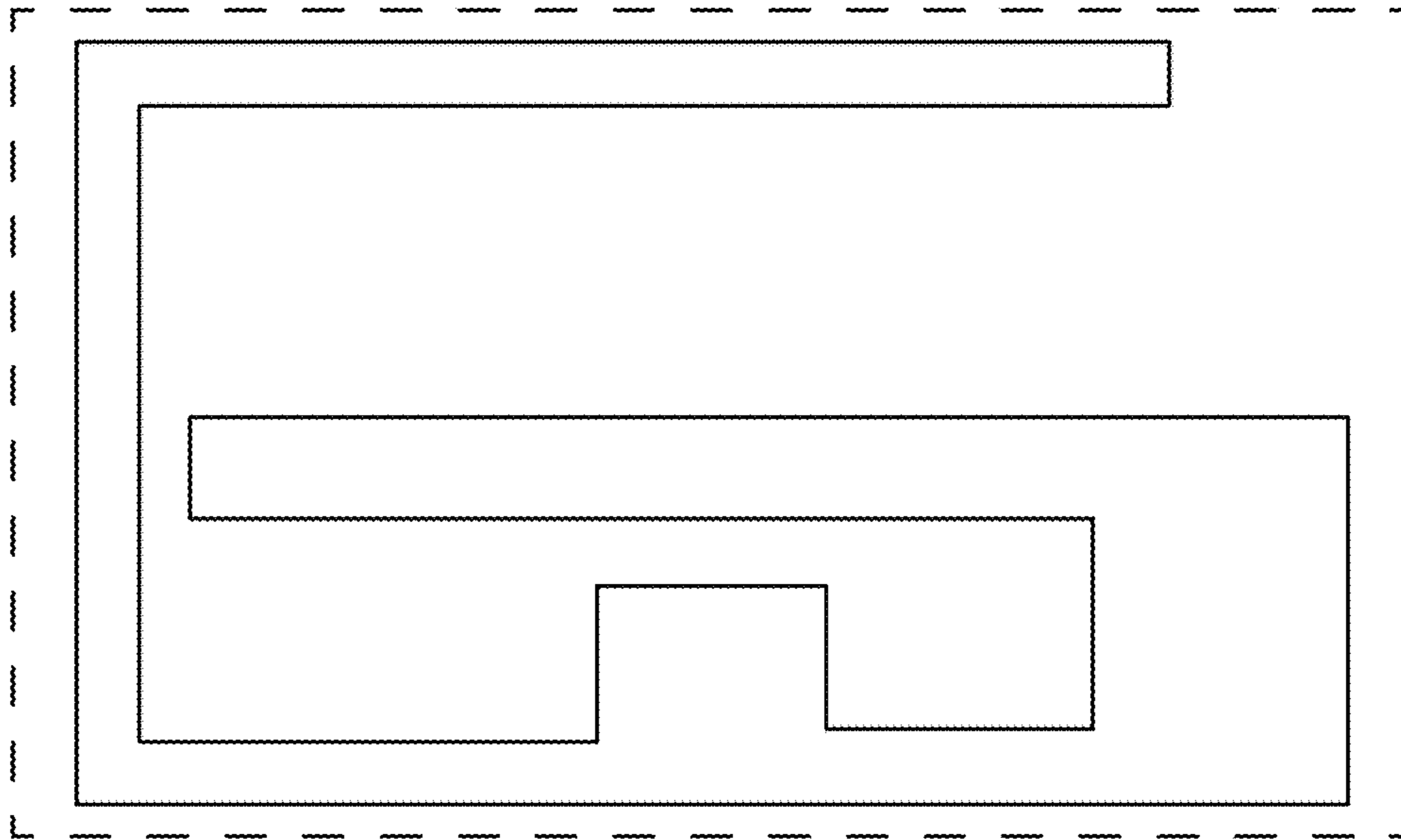


FIG. 27

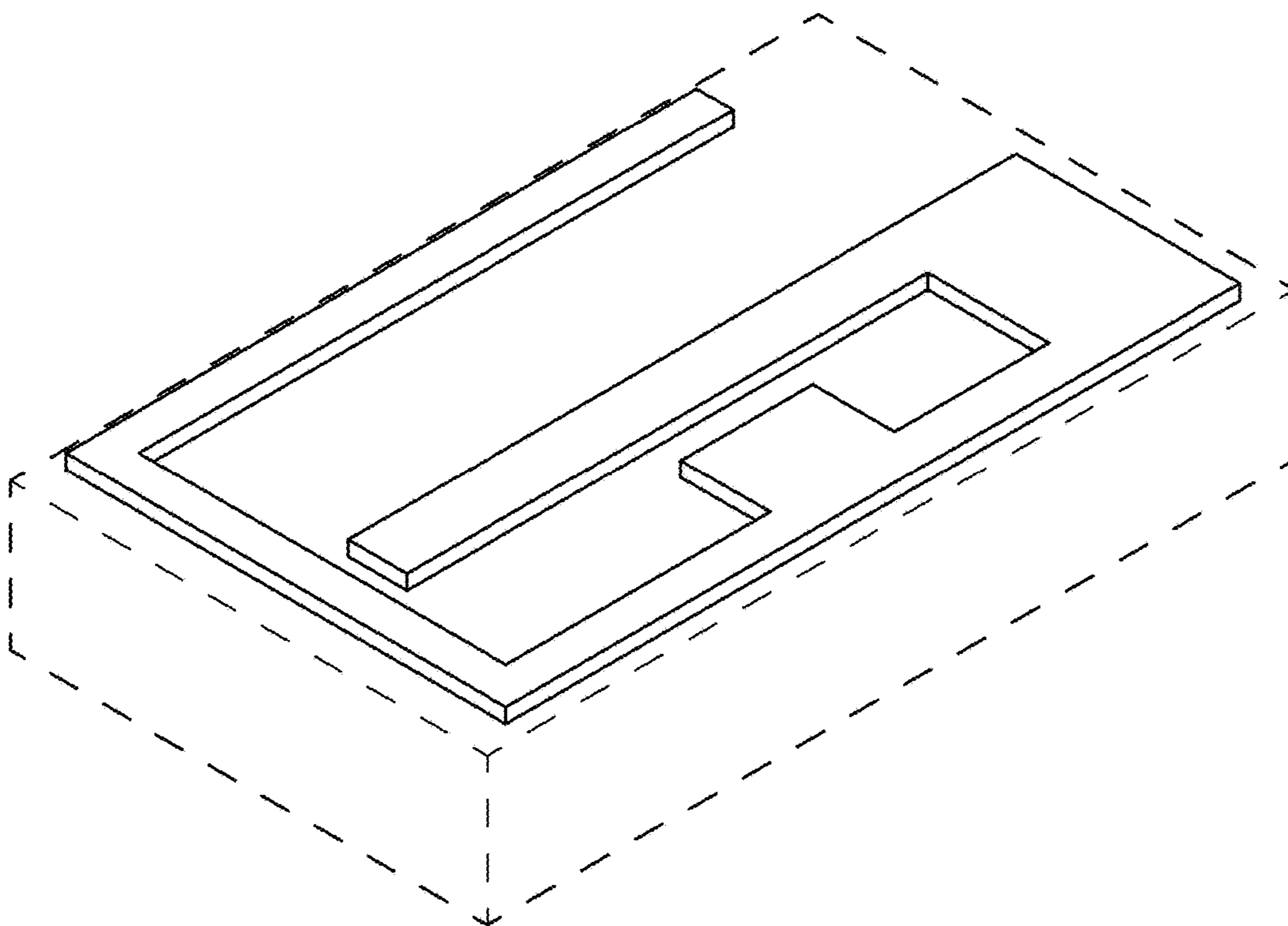


FIG. 28



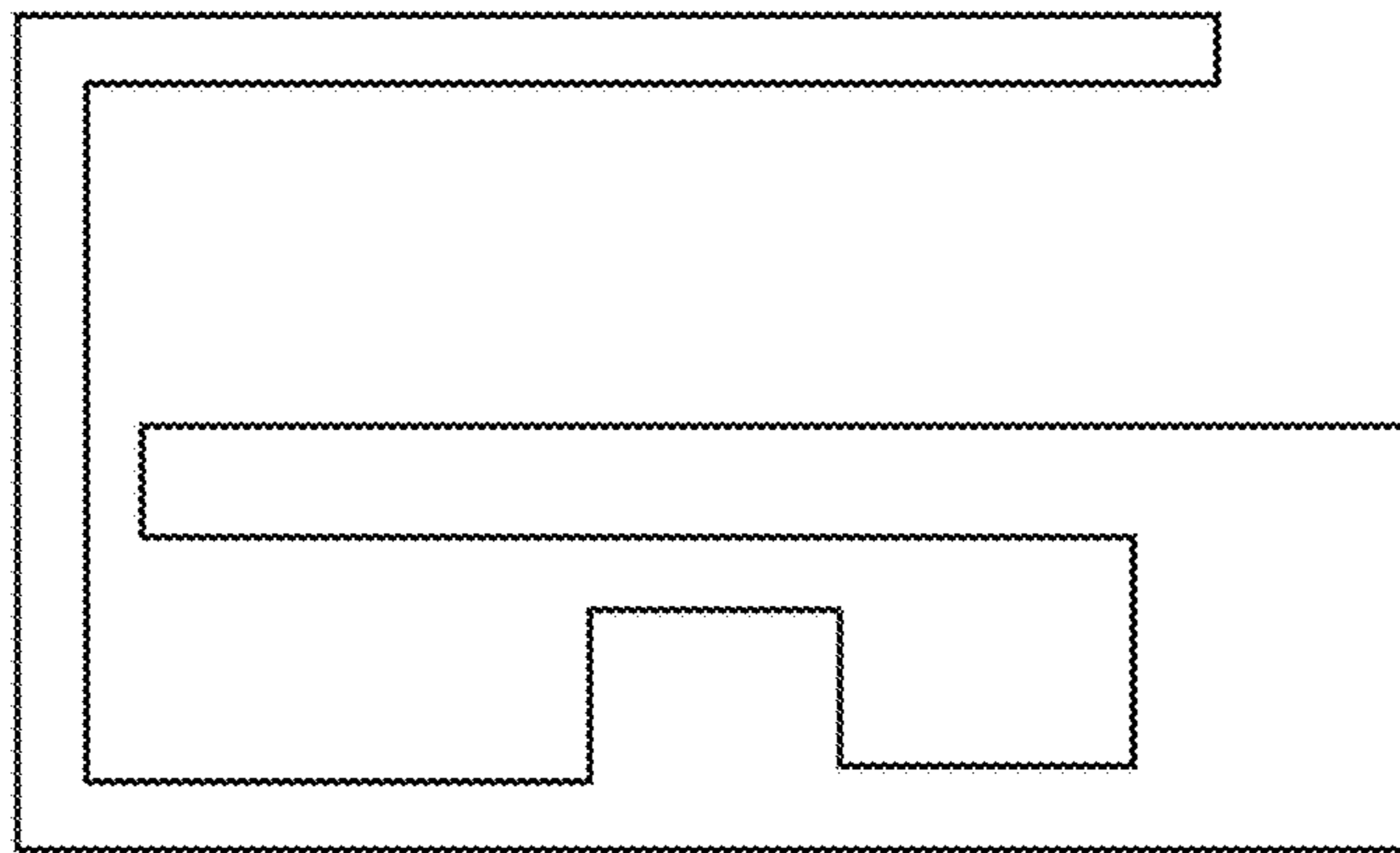


FIG. 29



FIG. 30