



US00D798272S

(12) **United States Design Patent** (10) **Patent No.:** **US D798,272 S**
Desagre et al. (45) **Date of Patent:** **** Sep. 26, 2017**

(54) **REMOTE CONTROL**

D593,999 S * 6/2009 Mauritzsson D14/223
D595,669 S * 7/2009 Endo D13/168
D602,919 S * 10/2009 Bodley D14/225

(71) Applicant: **SOMFY SAS**, Cluses (FR)

(Continued)

(72) Inventors: **Thomas Desagre**, Lyons (FR);
Frederic Strubi, Lyons (FR); **Philippe Bajard**, Lyons (FR)

FOREIGN PATENT DOCUMENTS

EM 000483532-001 * 3/2006
WO WO D061262-002 * 10/2002

(Continued)

(73) Assignee: **SOMFY SAS**, Cluses (FR)

(**) Term: **15 Years**

OTHER PUBLICATIONS

(21) Appl. No.: **29/539,963**

Amazon.com: Panasonic ErgoFit In-Ear Earbuds Headphones with Mic/Controller, review date Nov. 18, 2013, https://www.amazon.com/...nasonic-Headphones-Controller-RP-TCM125-W-Compatible/dp/B00E4LGUIY/ref=sr_1_136?ie=UTF8&qid=1473816589&sr=8-136&keywords=audio+controller, [site visited Sep. 13, 2016 9:32:39 PM].*

(22) Filed: **Sep. 18, 2015**

(30) **Foreign Application Priority Data**

Mar. 20, 2015 (WO) DM/085946

(51) **LOC (10) Cl.** **14-03**

(52) **U.S. Cl.**
USPC **D14/218**

(58) **Field of Classification Search**
USPC D14/218, 188, 225, 205, 155; D13/168;
D21/566, 333; D10/104.1, 106.2;
D15/199

CPC .. A61L 2/10; G06F 3/033; G09G 5/08; G08C
19/12; G08C 17/02; G08G 5/08; H05K
5/03; H04B 10/00; H01H 9/02

See application file for complete search history.

Primary Examiner — John Windmuller

Assistant Examiner — John R Yeh

(74) *Attorney, Agent, or Firm* — Haug Partners LLP;
William S. Frommer

(57) **CLAIM**

The ornamental design for a remote control, as shown and described.

DESCRIPTION

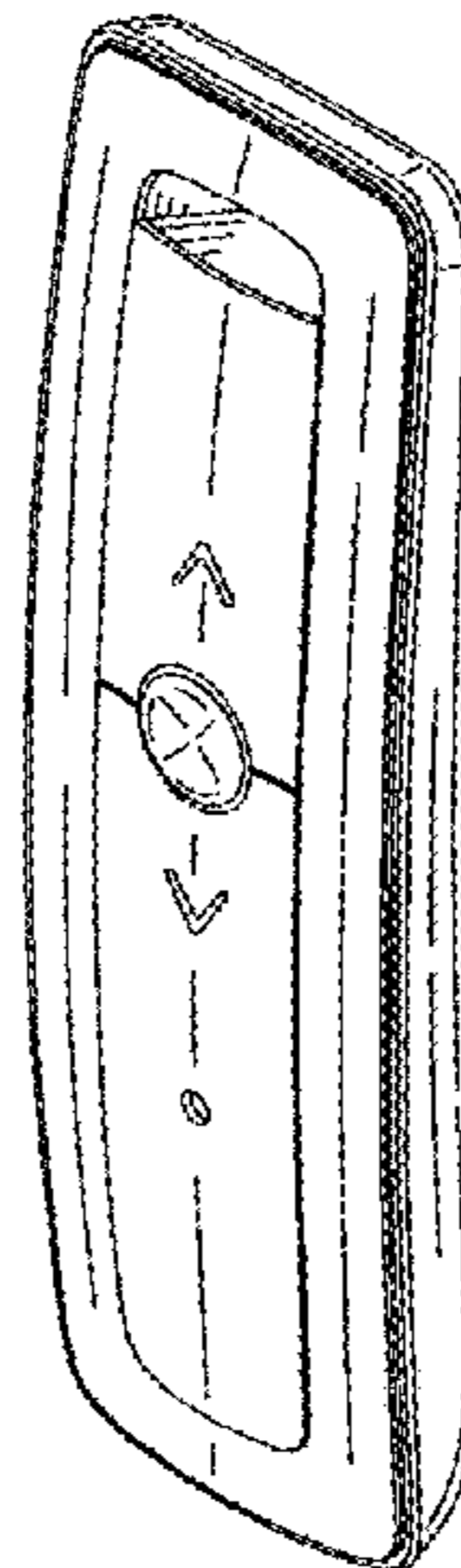
FIG. 1 is a perspective view of the first embodiment of a remote control, according to our invention;
FIG. 2 is a front view of the first embodiment thereof;
FIG. 3 is a left side view of the first embodiment thereof;
FIG. 4 is a right side view of the first embodiment thereof;
FIG. 5 is a back view of the first embodiment thereof;
FIG. 6 is a top view of the first embodiment thereof;
FIG. 7 is a bottom view of the first embodiment thereof; and,
FIG. 8 is a back view of the first embodiment thereof.
The broken lines in the figures represent portions of the remote control which form no part of the claimed design.

(56) **References Cited**

U.S. PATENT DOCUMENTS

D271,302 S * 11/1983 Manning D13/168
D278,333 S * 4/1985 Takata D14/225
D385,541 S * 10/1997 Taylor D13/168
5,949,407 A * 9/1999 Sato H03J 1/0025
345/169
D433,404 S * 11/2000 Thakur D14/218
D548,195 S * 8/2007 Poulet D13/168
D560,617 S * 1/2008 Poulet D13/158
D569,813 S * 5/2008 Charleux D13/168

1 Claim, 3 Drawing Sheets



(56)

References Cited

U.S. PATENT DOCUMENTS

D606,980 S * 12/2009 Bradford D14/218
D629,764 S * 12/2010 de Swarte D13/168
7,962,040 B2 * 6/2011 Yoshikawa G08C 23/04
398/106
D666,561 S * 9/2012 Sun D13/168
D670,659 S * 11/2012 Ishikawa D13/168
D688,214 S * 8/2013 Ducret D13/168
D709,837 S * 7/2014 Charleux D13/168
D710,808 S * 8/2014 Charleux D13/168
D712,873 S * 9/2014 Krauss D14/205
D716,268 S * 10/2014 Yamamoto D14/218
D719,935 S * 12/2014 Diamond D14/218
D729,209 S * 5/2015 McManigal D14/218
2014/0254848 A1 * 9/2014 Petterson H04R 1/1041
381/334

FOREIGN PATENT DOCUMENTS

WO WO D085580-001 * 8/2015
WO WO D085580-002 * 8/2015

* cited by examiner

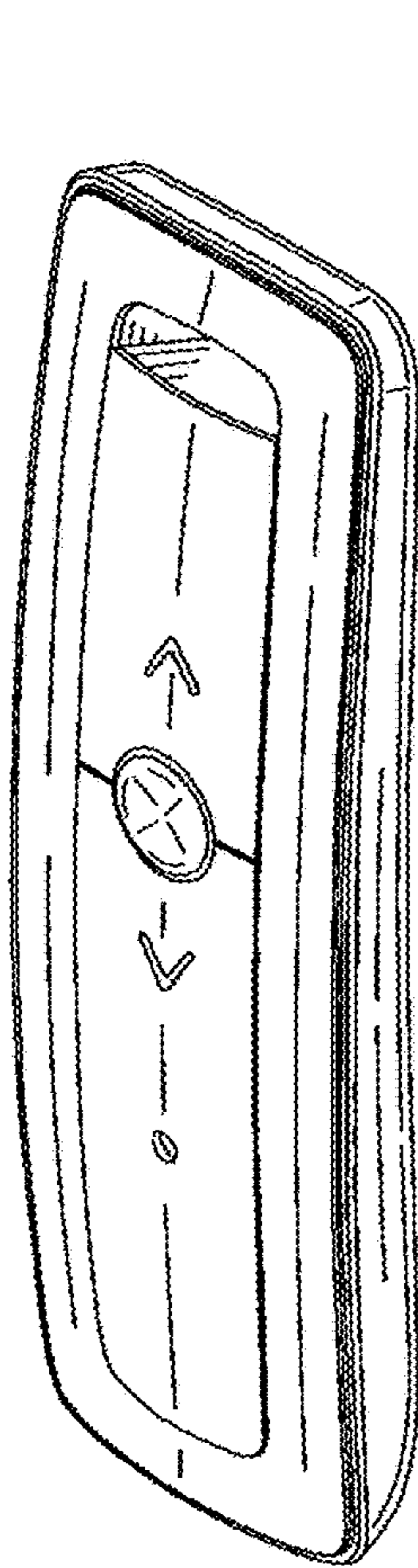


FIG. 1

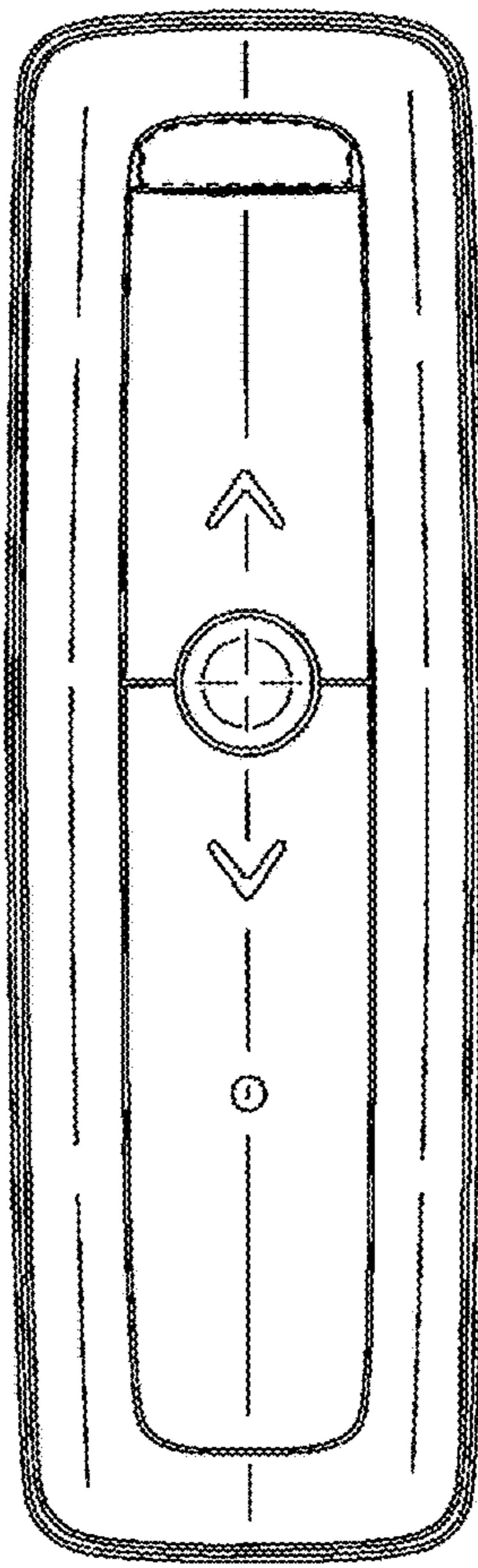


FIG. 2

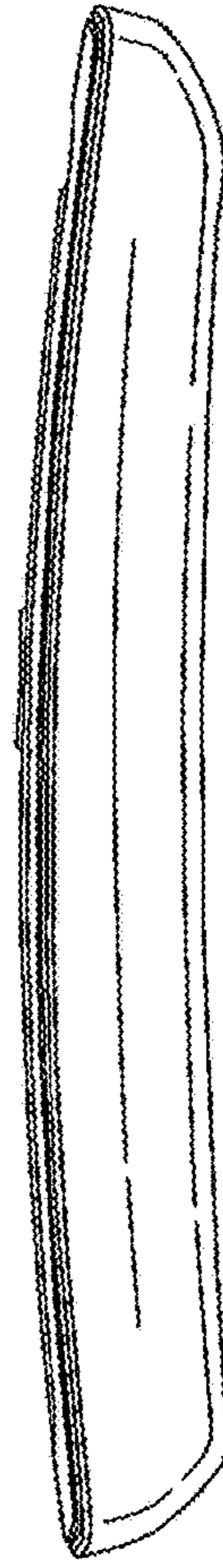


FIG. 3

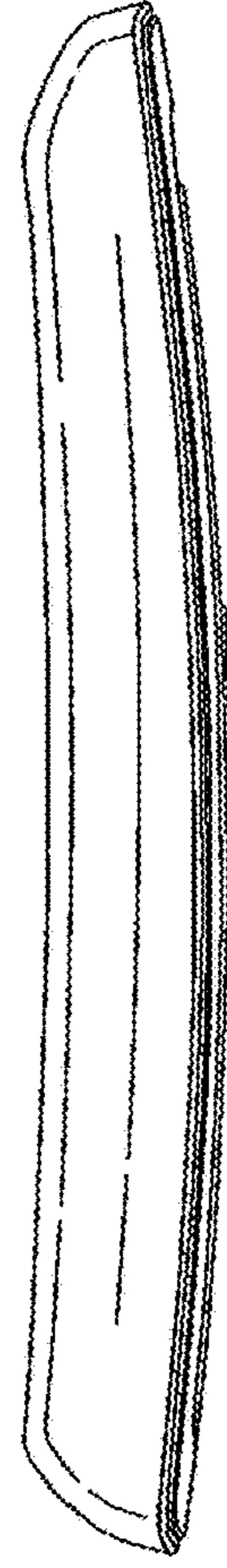


FIG. 4

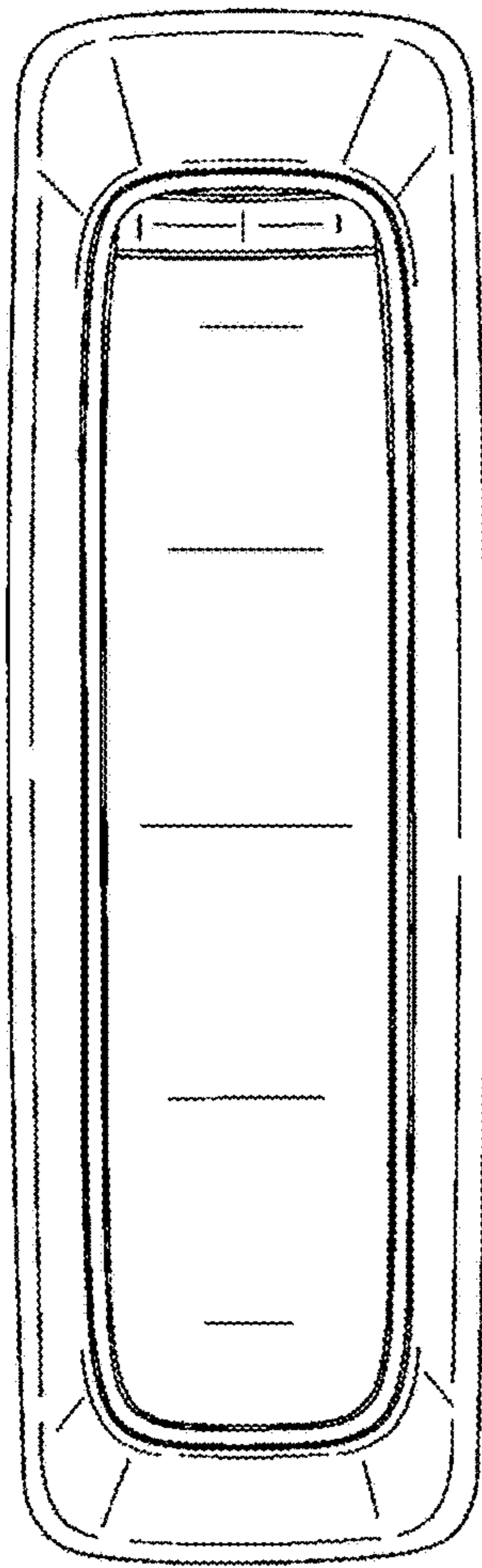


FIG. 5

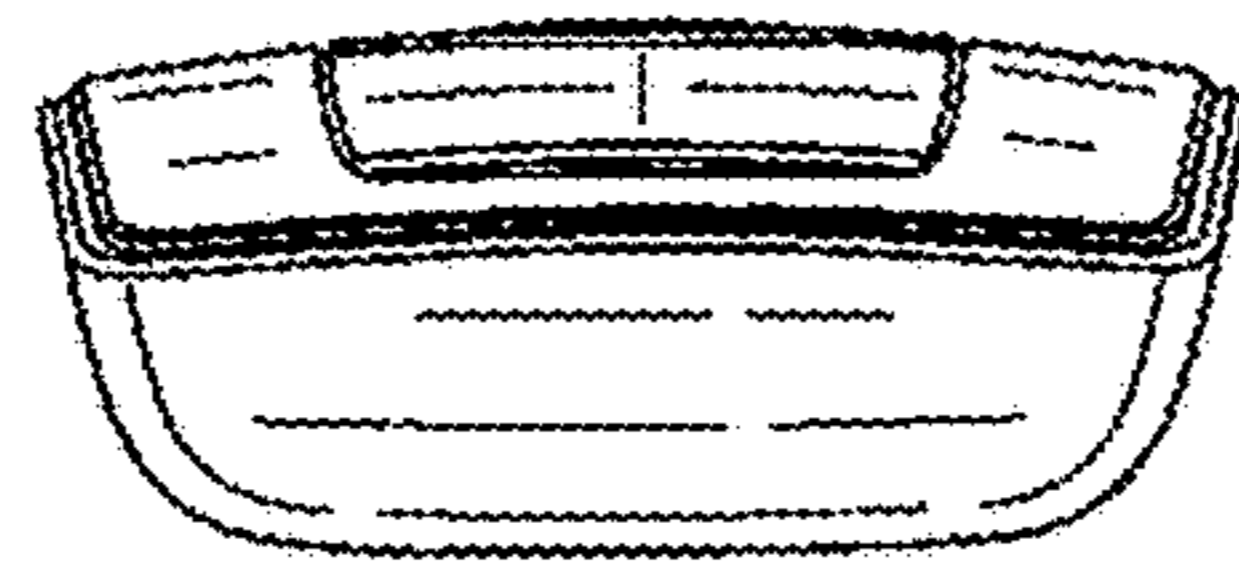


FIG. 6

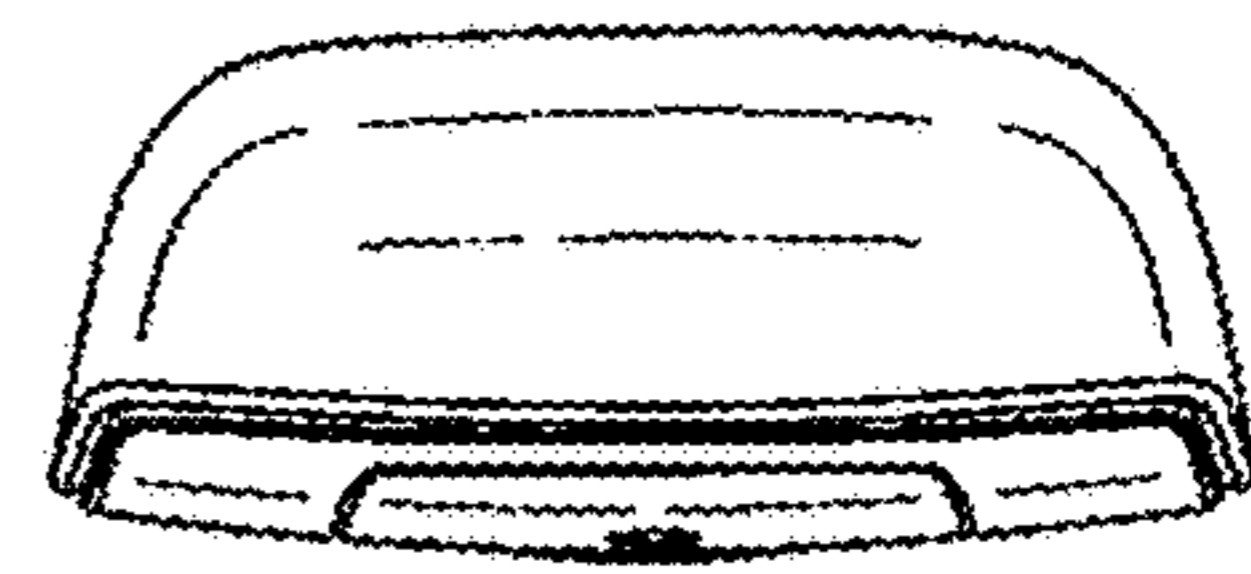


FIG. 7

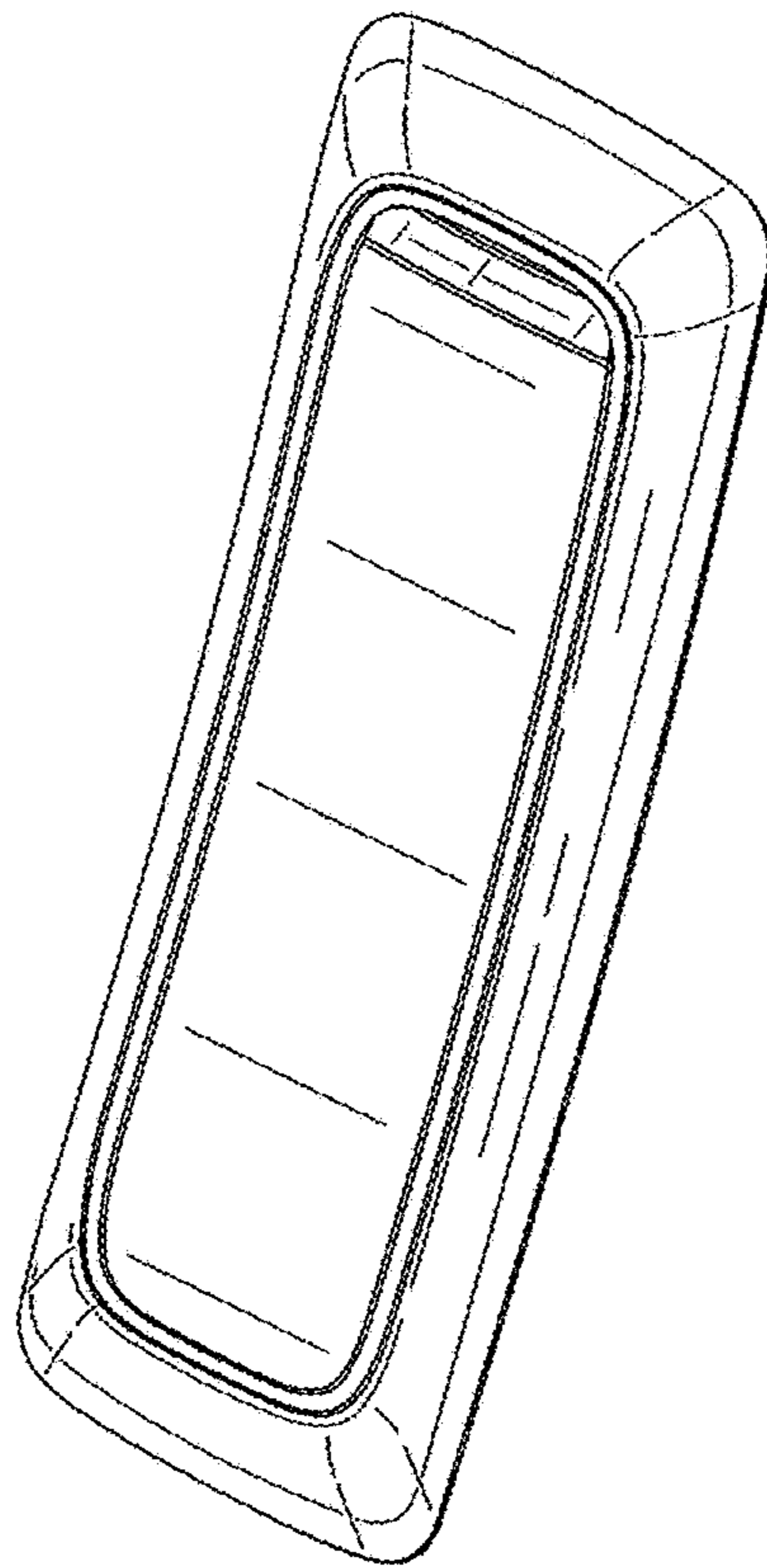


FIG. 8