



US00D798268S

(12) **United States Design Patent** (10) **Patent No.:** **US D798,268 S**
Fang (45) **Date of Patent:** **** Sep. 26, 2017**

(54) **SPEAKER**

(71) Applicant: **Bin Fang**, Shenzhen (CN)

(72) Inventor: **Bin Fang**, Shenzhen (CN)

(73) Assignee: **LALTITUDE LLC**, Hacienda Heights, CA (US)

(**) Term: **15 Years**

(21) Appl. No.: **29/541,648**

(22) Filed: **Oct. 6, 2015**

(51) **LOC (10) Cl.** **14-03**

(52) **U.S. Cl.**
 USPC **D14/216**

(58) **Field of Classification Search**
 USPC D14/167, 168, 170-172, 188, 194-196, D14/204, 207, 209.1, 210-216, 219, 221, D14/222, 224, 239, 496; 181/143, 144, 181/147, 148, 150, 153, 157, 198, 199; 381/300-303, 306, 332, 333, 336, 345, 381/361-364, 386-388; 369/6-12
 CPC B60R 11/0217; G06F 1/1688; G10K 9/22; G10K 11/004; H03F 1/327; H04M 1/03; H04M 1/035; H04N 5/642; H04N 21/4852; H04R 1/02; H04R 1/06; H04R 1/021; H04R 1/025; H04R 1/026; H04R 1/028; H04R 1/105; H04R 1/323; H04R 1/403; H04R 1/2803; H04R 1/2834; H04R 5/02; H04R 7/20; H04R 9/06; H04R 9/025; H04R 2201/021; H04R

2400/00; H04R 2400/07; H04R 2499/11; H04R 2499/13; H04R 2499/15; H04S 3/00; H04S 7/30

See application file for complete search history.

(56) **References Cited**

U.S. PATENT DOCUMENTS

D722,595 S *	2/2015	Mackiewicz	D14/216
D748,074 S *	1/2016	Schmiedbauer	D14/210
D750,597 S *	3/2016	Fischer	D14/216
D753,630 S *	4/2016	Kim	D14/216
D759,632 S *	6/2016	Fischer	D14/204
D765,618 S *	9/2016	Alves	D14/216
D788,070 S *	5/2017	Lukic	D14/204

* cited by examiner

Primary Examiner — Keli L Hill

(74) *Attorney, Agent, or Firm* — Clement Cheng

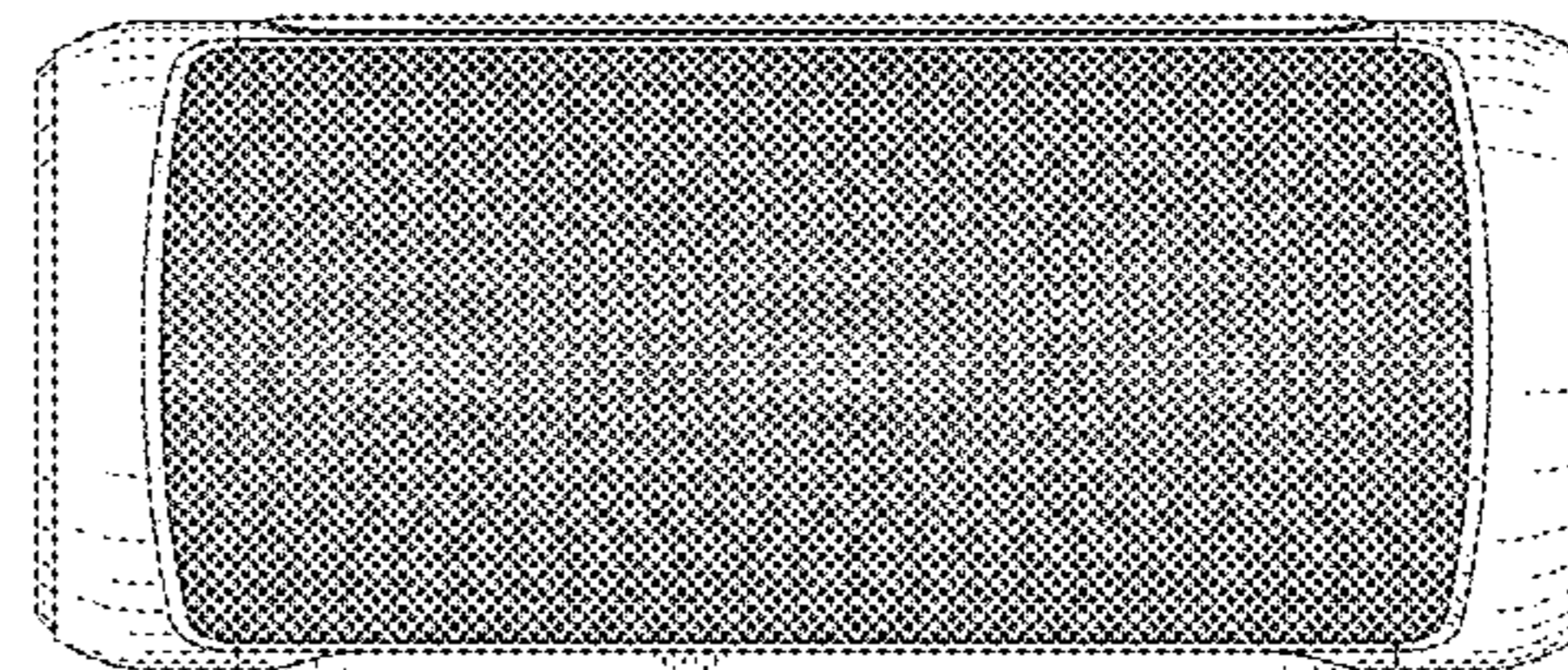
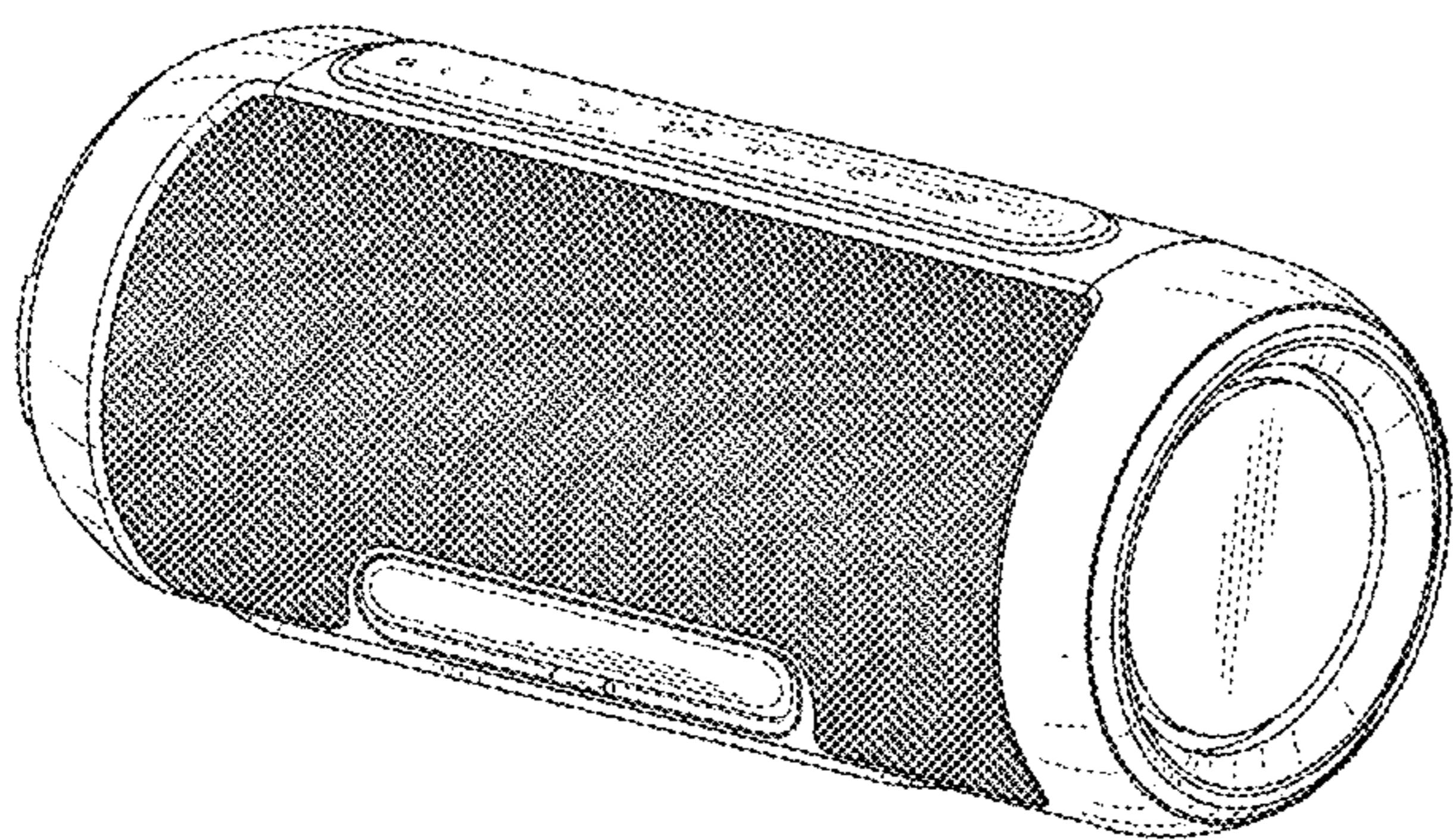
(57) **CLAIM**

The ornamental design for a speaker, as shown and described.

DESCRIPTION

FIG. 1 is a perspective view.
 FIG. 2 is a front view.
 FIG. 3 is a rear view.
 FIG. 4 is a left side view.
 FIG. 5 is a right side view.
 FIG. 6 is a top view; and,
 FIG. 7 is a bottom view.

1 Claim, 4 Drawing Sheets



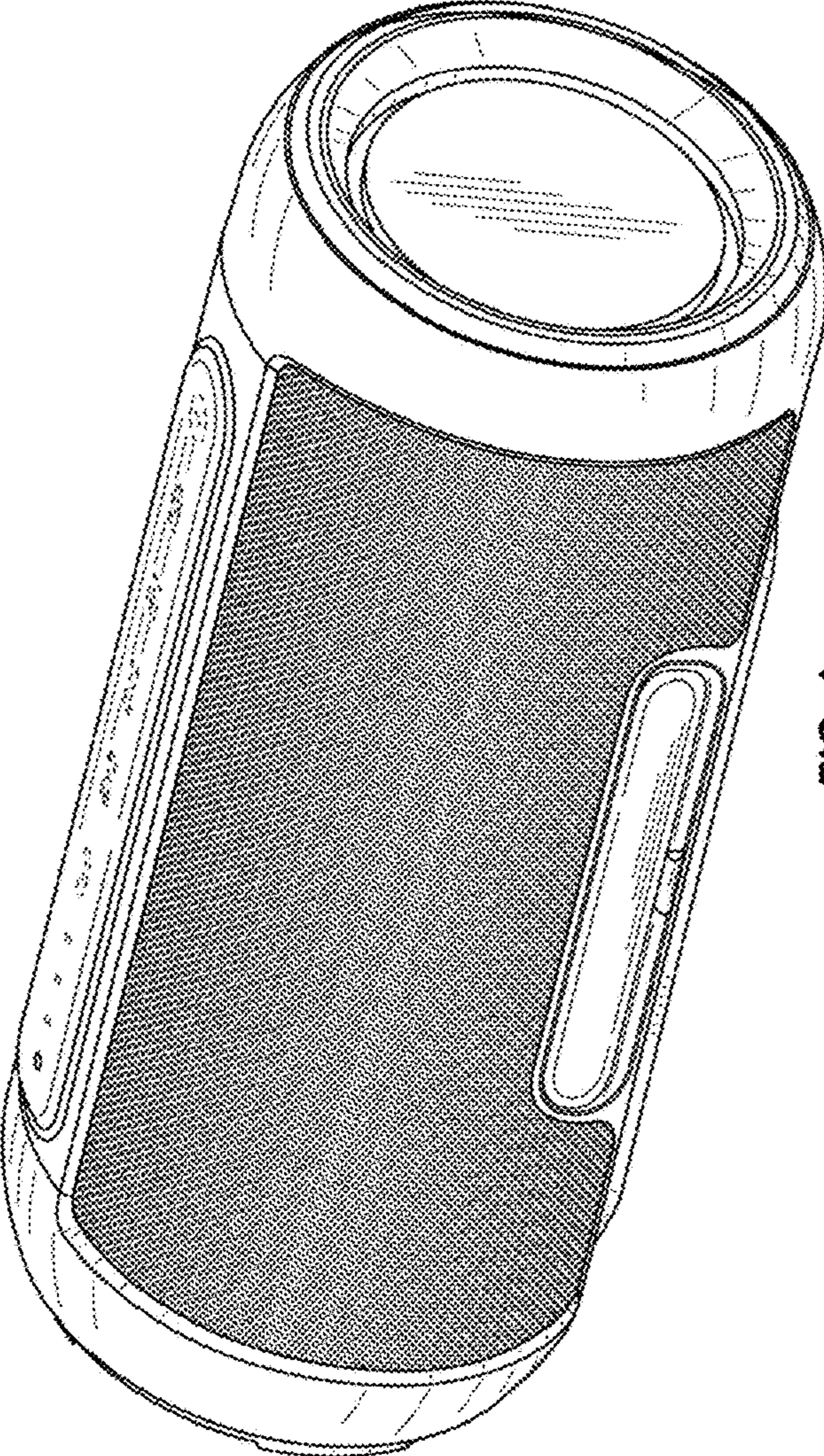
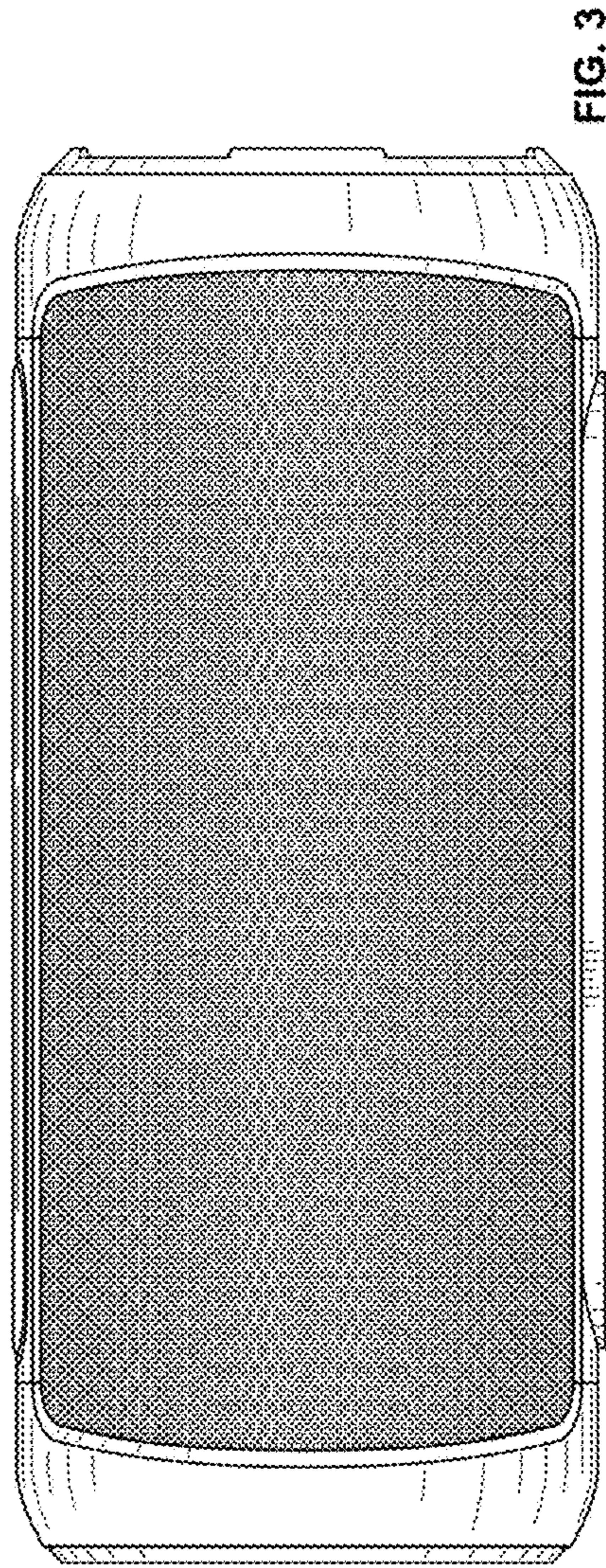
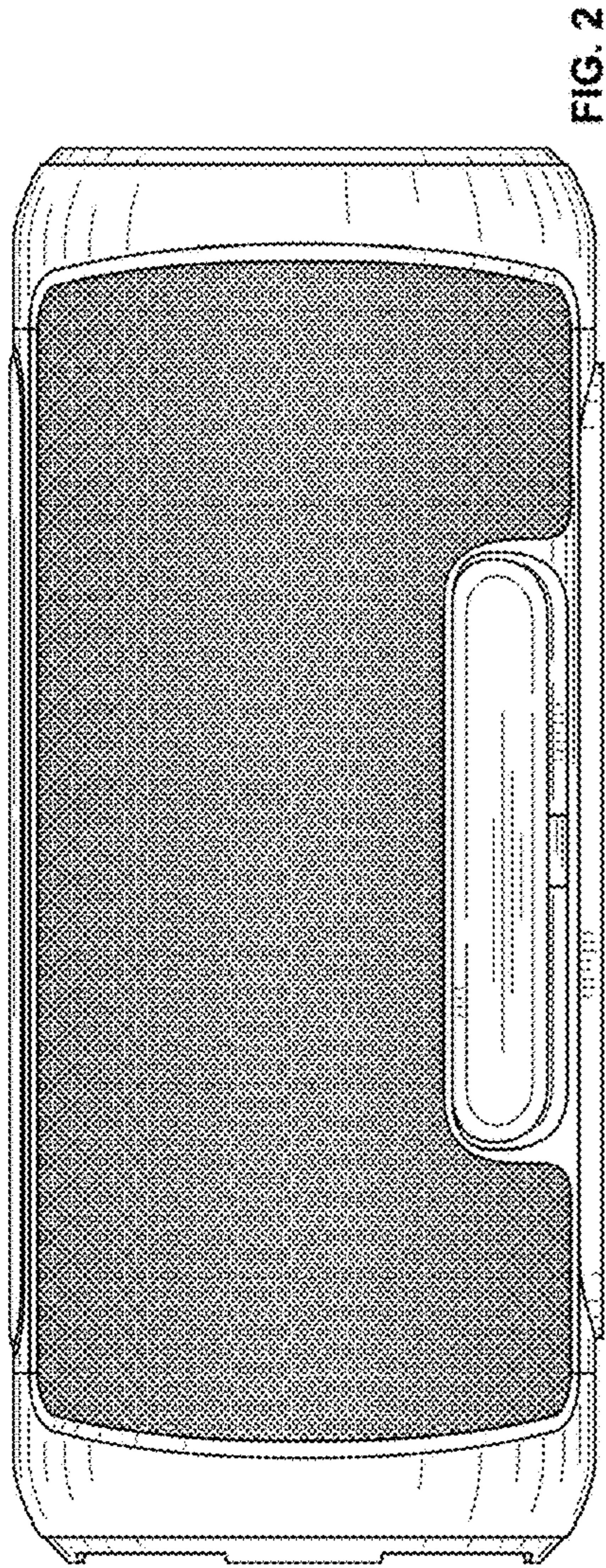


FIG. 1



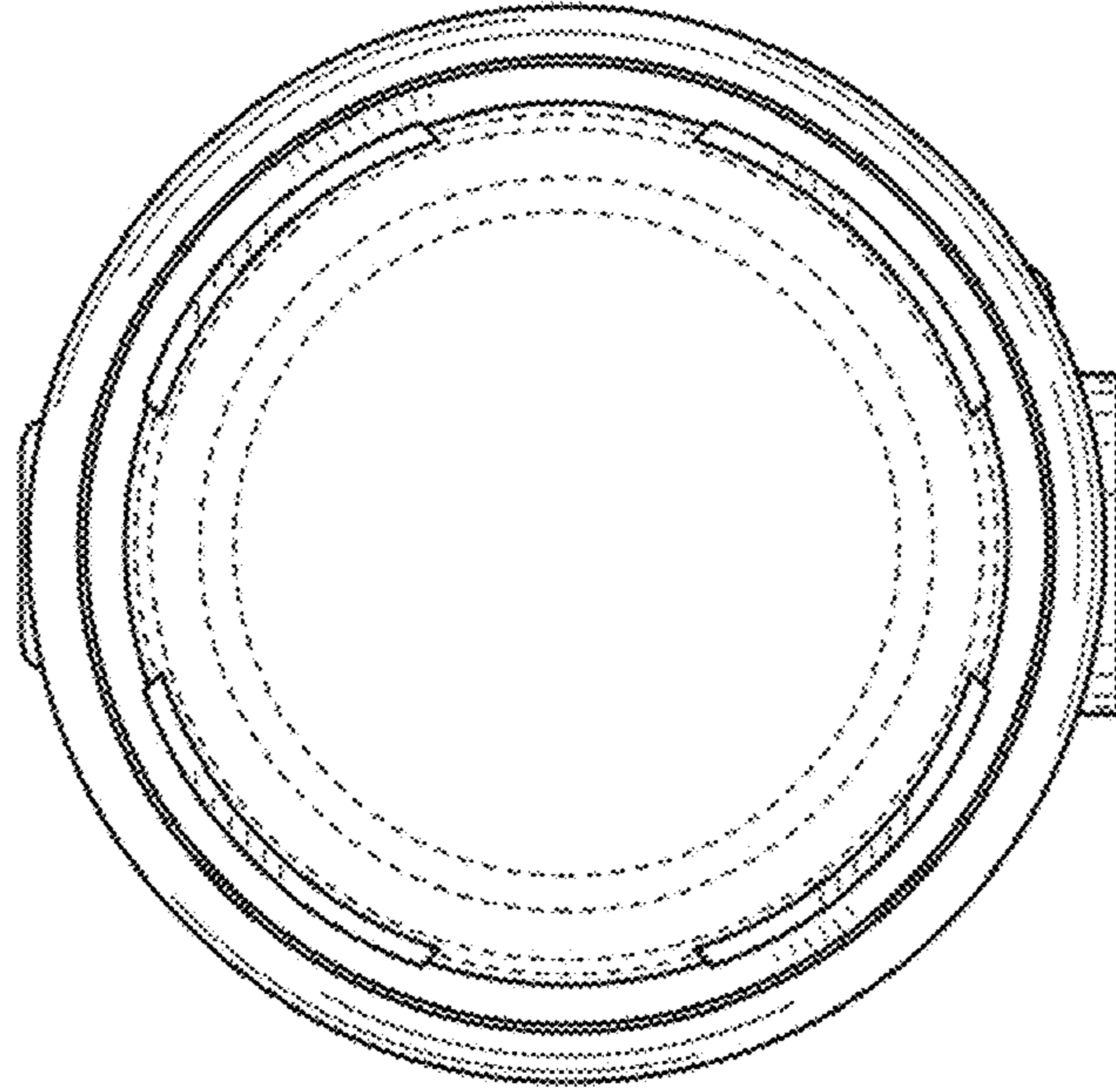


FIG. 5

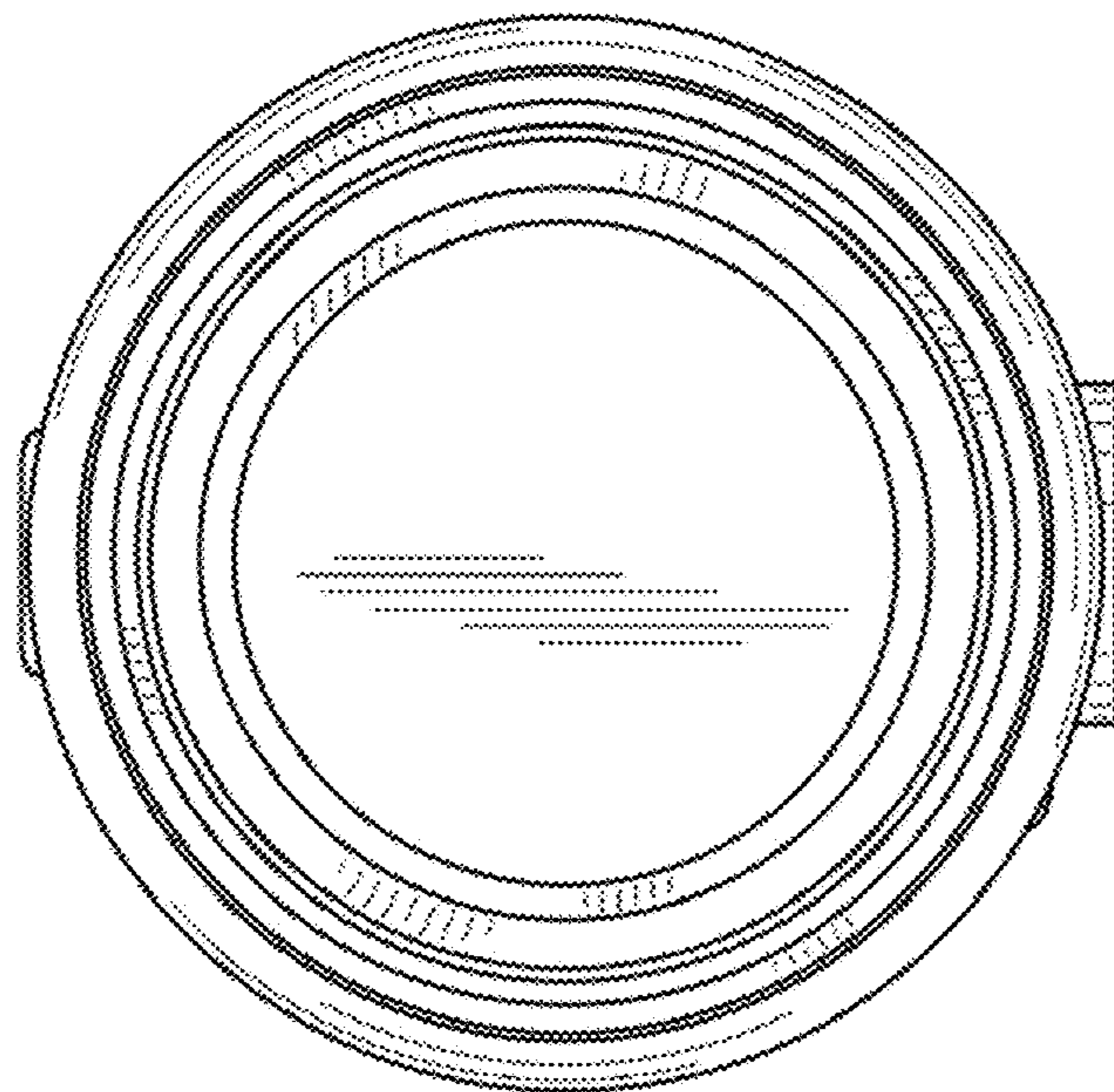


FIG. 4

FIG. 6

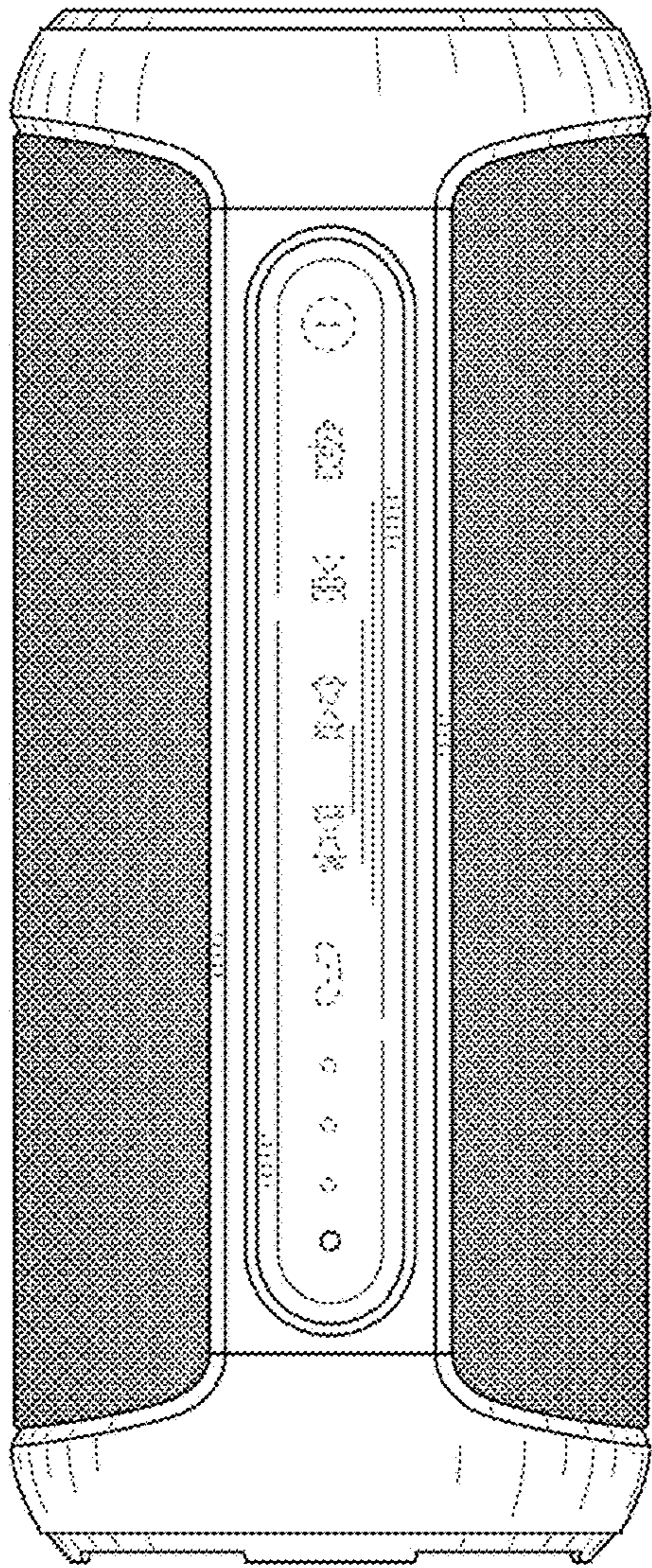


FIG. 7

