



US00D798262S

(12) **United States Design Patent** (10) **Patent No.:** **US D798,262 S**  
**Yoo** (45) **Date of Patent:** **\*\* Sep. 26, 2017**

(54) **MOBILE DEVICE**

(71) Applicant: **Seung Won Yoo**, Chandler, AZ (US)

(72) Inventor: **Seung Won Yoo**, Chandler, AZ (US)

(\*\*) Term: **15 Years**

(21) Appl. No.: **29/553,433**

(22) Filed: **Feb. 1, 2016**

(51) **LOC (10) Cl.** ..... **14-03**

(52) **U.S. Cl.**  
USPC ..... **D14/138 AD**

(58) **Field of Classification Search**  
USPC ..... D14/138 AA, 138 AB, 138 AD, 138 AC,  
D14/138 C, 138 G, 138 R, 248, 250, 253,  
D14/341, 440; D3/215, 218, 269;  
D21/324, 329, 330, 332; D20/42  
CPC .. E06B 2009/405; G09F 13/22; G06F 1/1652;  
B65H 75/364; H04M 1/03; H04B 1/3888;  
H04N 5/2252

See application file for complete search history.

(56) **References Cited**

**U.S. PATENT DOCUMENTS**

7,786,951 B2 *	8/2010	Huitema	.....	G06F 1/1601 345/1.1
D707,223 S *	6/2014	Akana	.....	D14/341
9,152,180 B2 *	10/2015	Kim	.....	G06F 1/1647
2007/0247798 A1 *	10/2007	Scott, II	.....	G06F 1/1616 361/679.04
2011/0176260 A1 *	7/2011	Walters	.....	G06F 1/1641 361/679.01

**OTHER PUBLICATIONS**

Shim, A, Freescale to present its ARM-based Smartbook prototype with a sliding keypad, Jun. 2009, Aving Global News Network, [online], retrieved Dec. 29, 2016 from <URL:http://us.aving.net/news/view.php?articleId=128786 >.\*  
Sonitdac, iPhone 8—Widescreen, Feb. 2016, YouTube Video of Concept Product [online], Retrieved Feb. 14, 2017 from <URL:https://www.youtube.com/watch?v=xlZY7RgRVWU>.\*

\* cited by examiner

*Primary Examiner* — Sheryl Lane  
*Assistant Examiner* — Calvin E Vansant

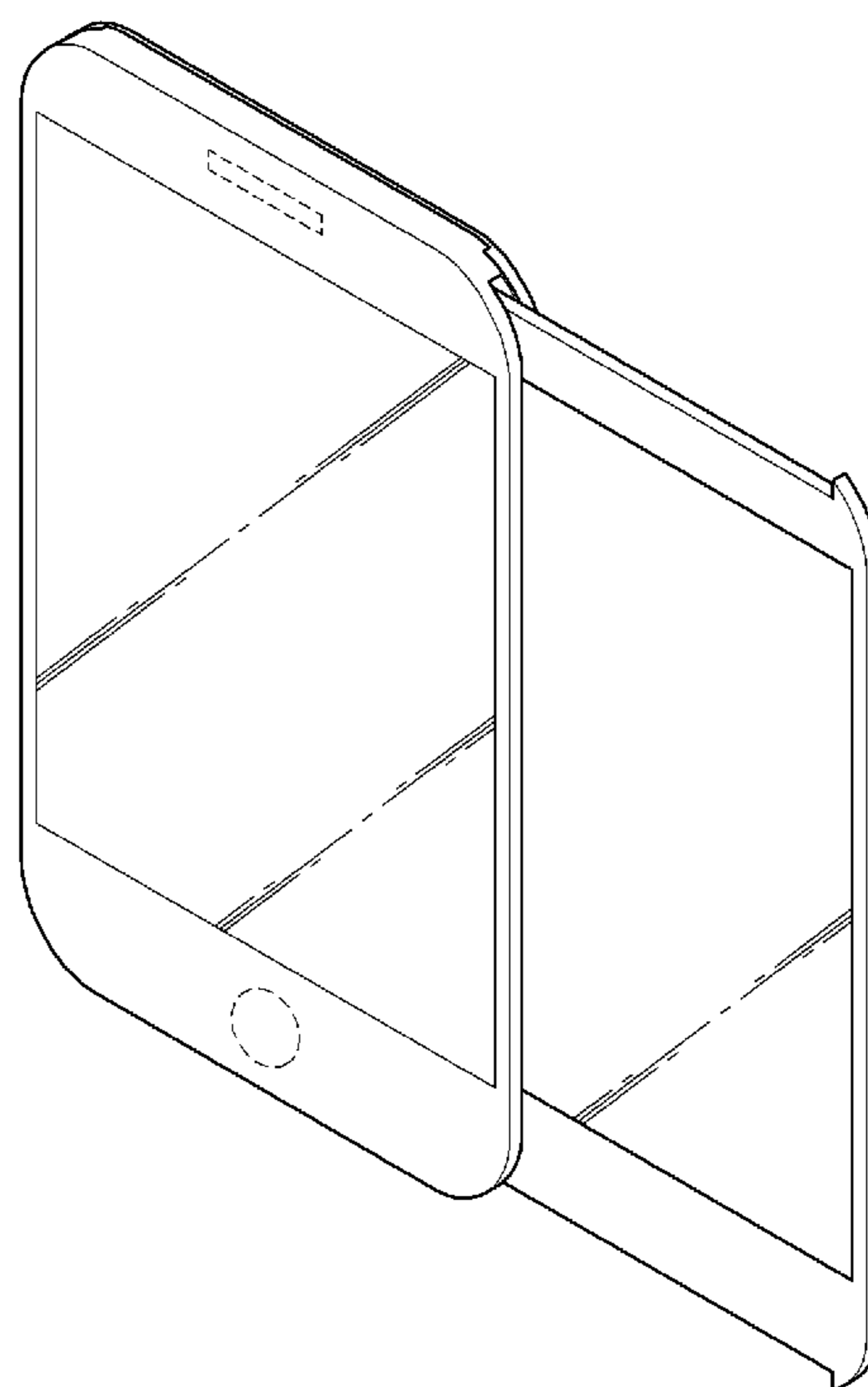
(57) **CLAIM**

The ornamental design for a mobile device, as shown and described.

**DESCRIPTION**

FIG. 1 is a perspective view of a mobile device according to the present invention;  
FIG. 2 is a front view of the mobile device of FIG. 1;  
FIG. 3 is a rear view of the mobile device of FIG. 1;  
FIG. 4 is a left side view of the mobile device of FIG. 1;  
FIG. 5 is a right side view of the mobile device of FIG. 1;  
FIG. 6 is top plan view of the mobile device of FIG. 1;  
FIG. 7 is a bottom plan view of the mobile device of FIG. 1;  
FIG. 8 shows the mobile device in a partially closed position; and,  
FIG. 9 shows the mobile device in a closed position.  
The broken lines depict unclaimed portions of the mobile device only and form no part of the claim.

**1 Claim, 8 Drawing Sheets**



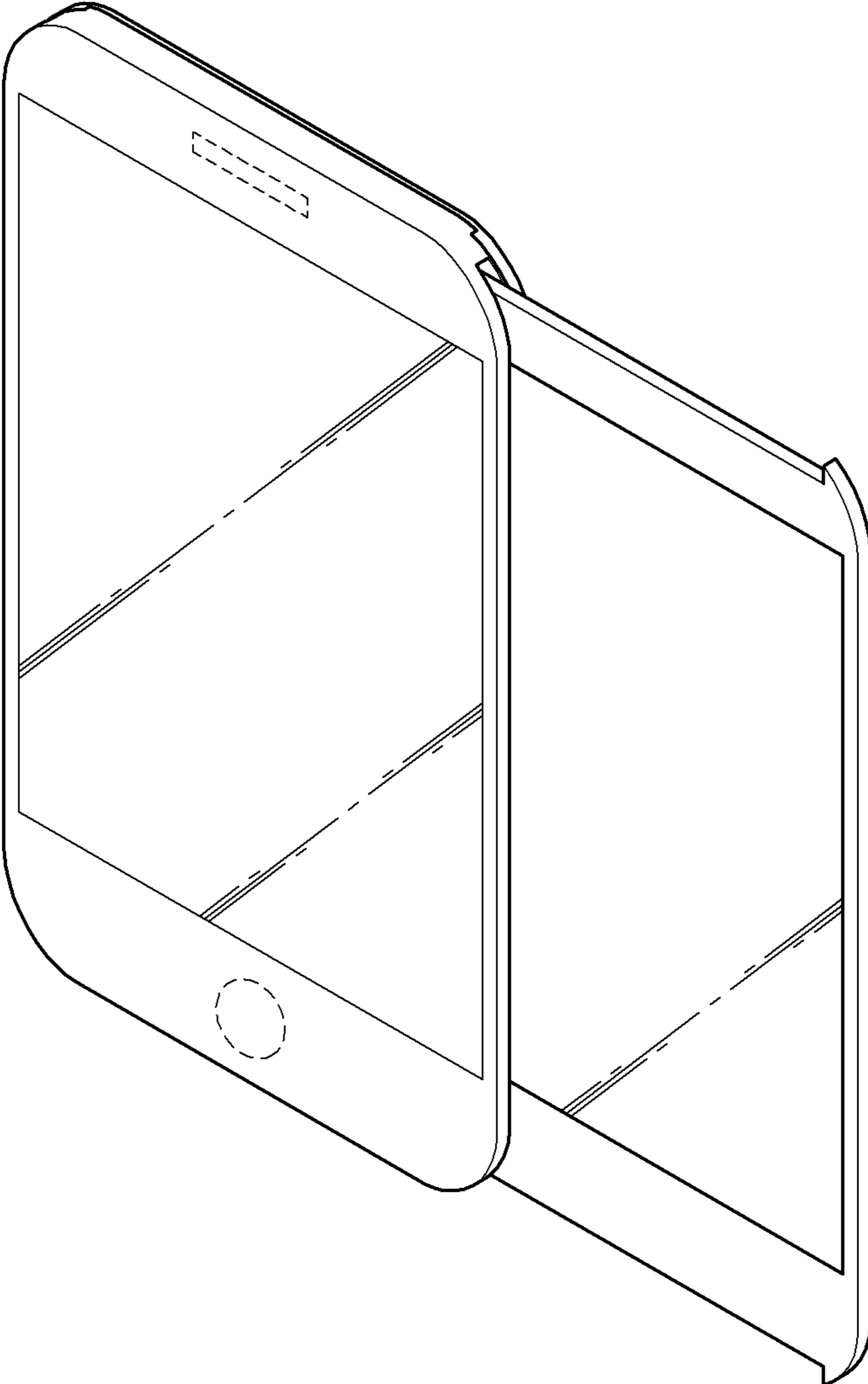


FIG. 1

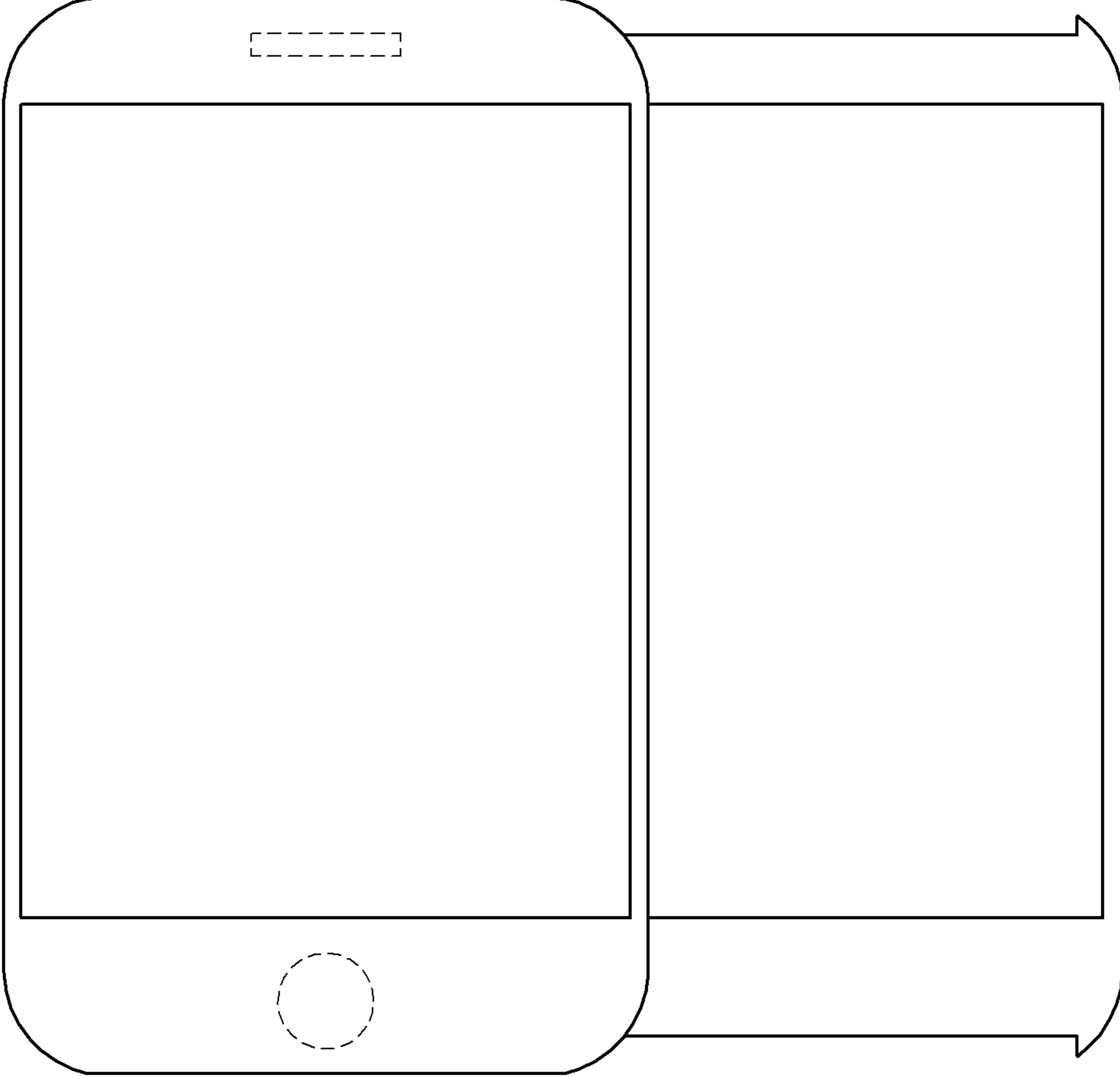


FIG. 2

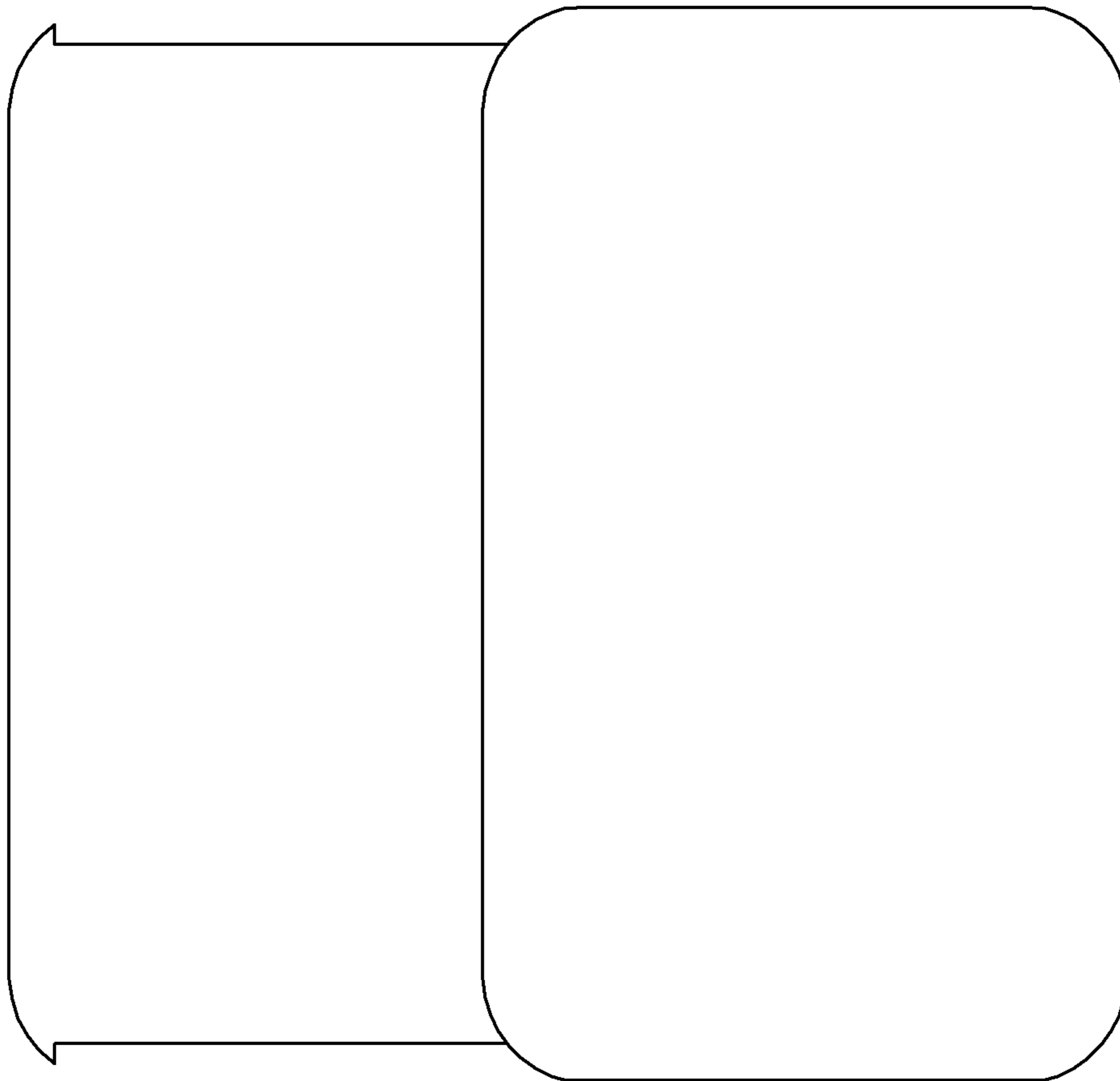


FIG. 3



FIG. 4



FIG. 5



FIG. 6



FIG. 7

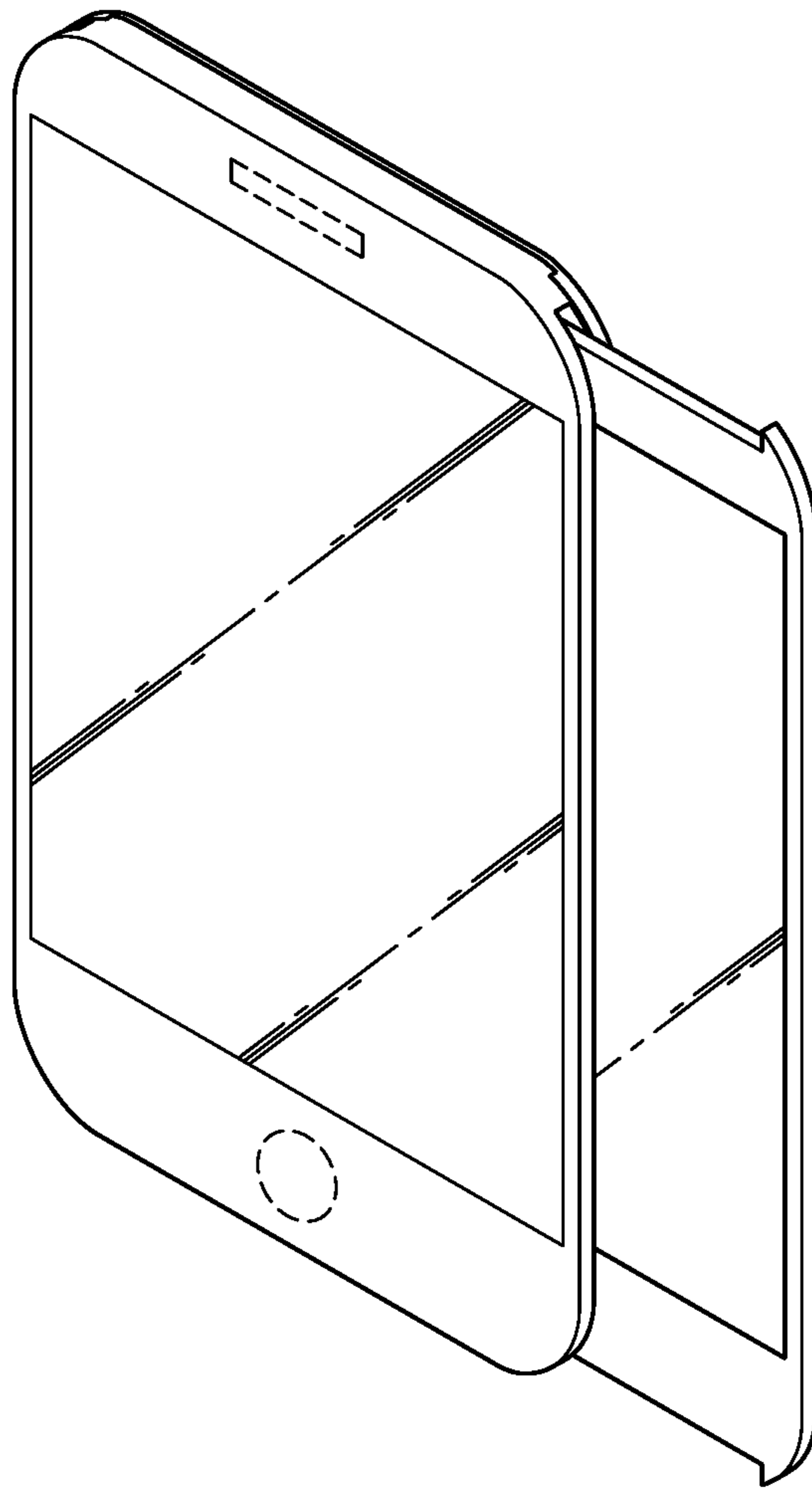


FIG. 8



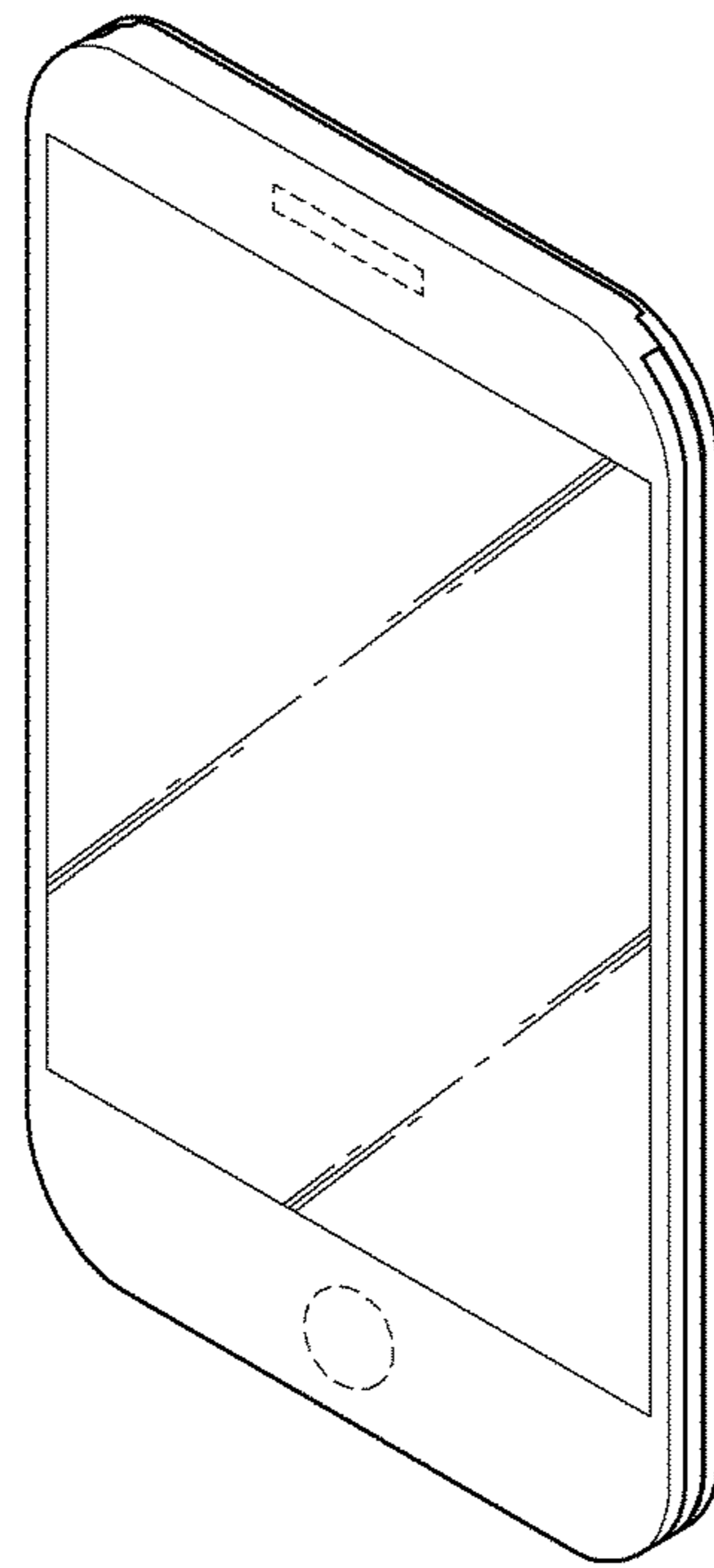


FIG. 9