



US00D798261S

(12) **United States Design Patent** (10) **Patent No.:** **US D798,261 S**
Lee (45) **Date of Patent:** **** Sep. 26, 2017**

(54) **SMART PHONE**

(71) Applicant: **Ju Wone Lee**, Jeollabuk-do (KR)

(72) Inventor: **Ju Wone Lee**, Jeollabuk-do (KR)

(**) Term: **15 Years**

(21) Appl. No.: **29/544,794**

(22) Filed: **Nov. 6, 2015**

(51) **LOC (10) Cl.** **14-03**

(52) **U.S. Cl.**
USPC **D14/138 AD**

(58) **Field of Classification Search**

USPC D14/138 AA, 138 AB, 138 AD, 138 AC,
D14/138 C, 138 G, 138 R, 248, 250, 253,
D14/341, 440; D3/215, 218, 269;
D21/324, 329, 330, 332; D20/42
CPC .. E06B 2009/405; G09F 13/22; G06F 1/1652;
B65H 75/364; H04M 1/03; H04B 1/3888;
H04N 5/2252

See application file for complete search history.

(56) **References Cited**

U.S. PATENT DOCUMENTS

7,786,951 B2 * 8/2010 Huitema G06F 1/1601
345/1.1
D707,223 S * 6/2014 Akana D14/341
9,152,180 B2 * 10/2015 Kim G06F 1/1647
2011/0176260 A1 * 7/2011 Walters G06F 1/1641
361/679.01

OTHER PUBLICATIONS

Shim, A, Freescale to present its ARM-based Smartbook prototype with a sliding keypad, Jun. 2009, Aving Global News Network, [online], retrieved Dec. 29, 2016 from <URL:http://us.aving.net/news/view.php?articleId=128786 >.*

* cited by examiner

Primary Examiner — Sheryl Lane

Assistant Examiner — Calvin E Vansant

(57) **CLAIM**

The ornamental design for a smart phone, as shown and described.

DESCRIPTION

FIG. 1 is a perspective view of a smart phone according to the present invention;

FIG. 2 is a front view of the smart phone of FIG. 1;

FIG. 3 is a left side view of the smart phone of FIG. 1;

FIG. 4 is a right side view of the smart phone of FIG. 1;

FIG. 5 is top plan view of the smart phone of FIG. 1;

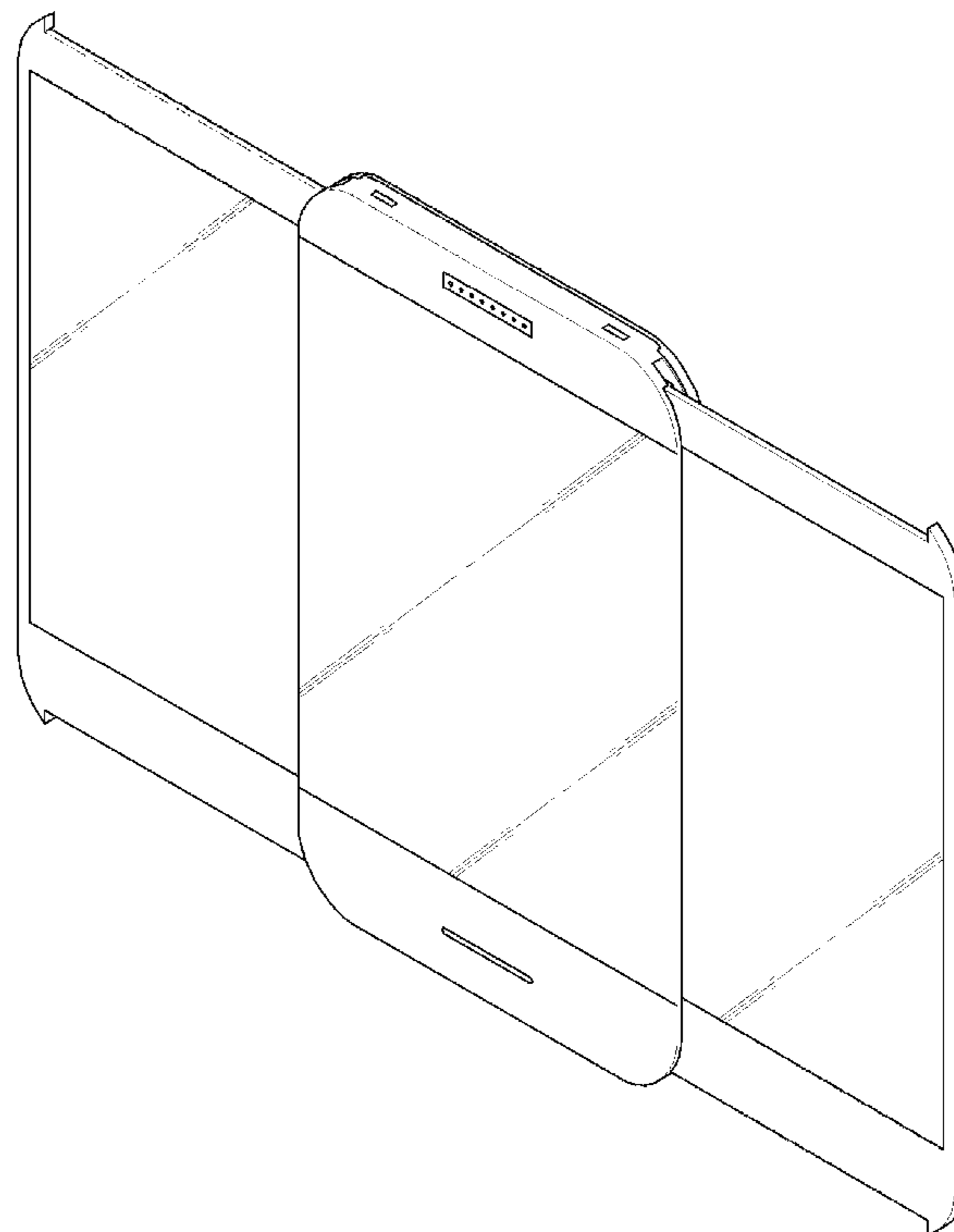
FIG. 6 is a bottom plan view of the smart phone of FIG. 1;

FIG. 7 shows the smart phone in a partially closed position; and,

FIG. 8 shows the smart phone in a closed position.

The broken lines depict unclaimed portions of the smart phone only and form no part of the claim.

1 Claim, 7 Drawing Sheets



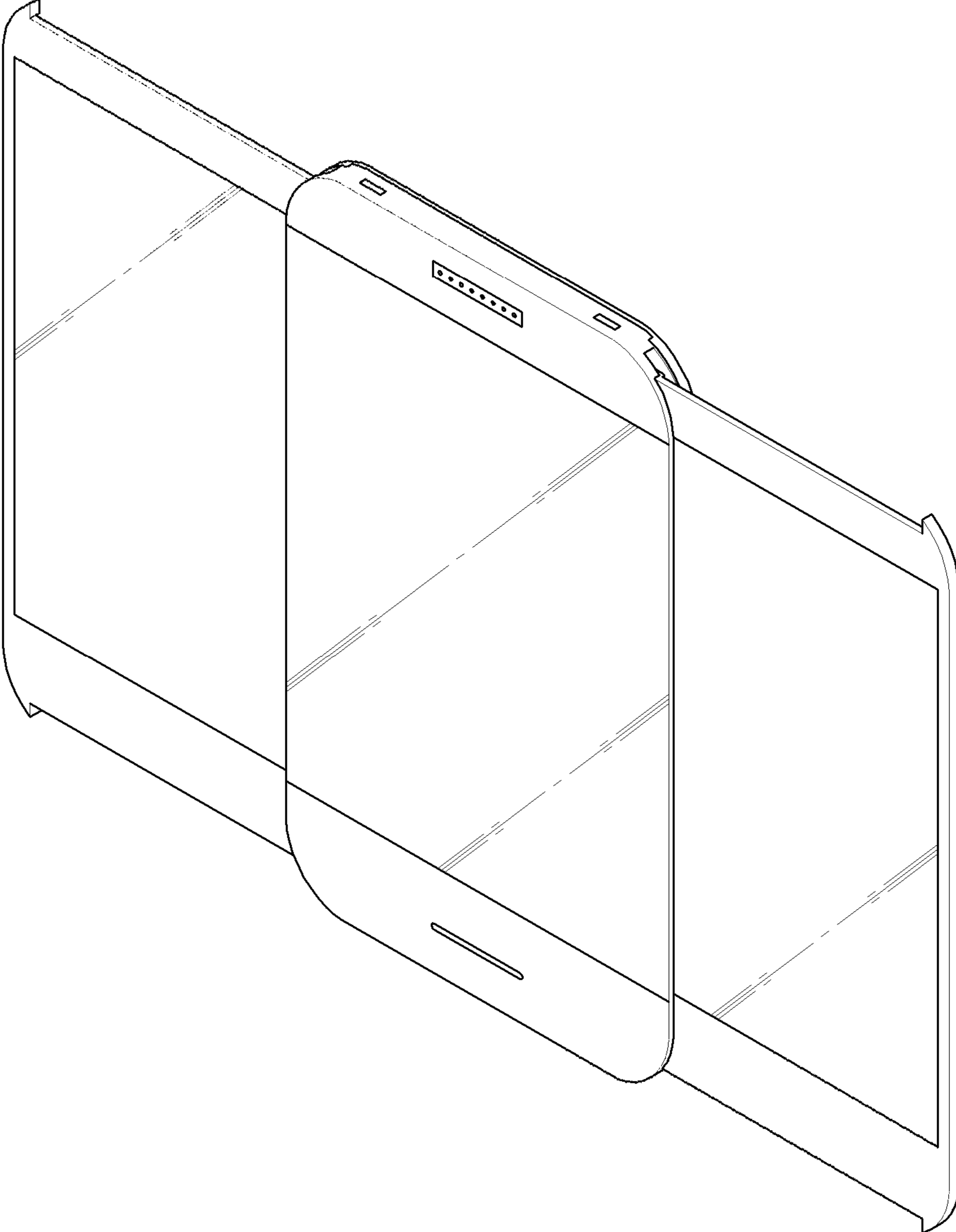


FIG. 1

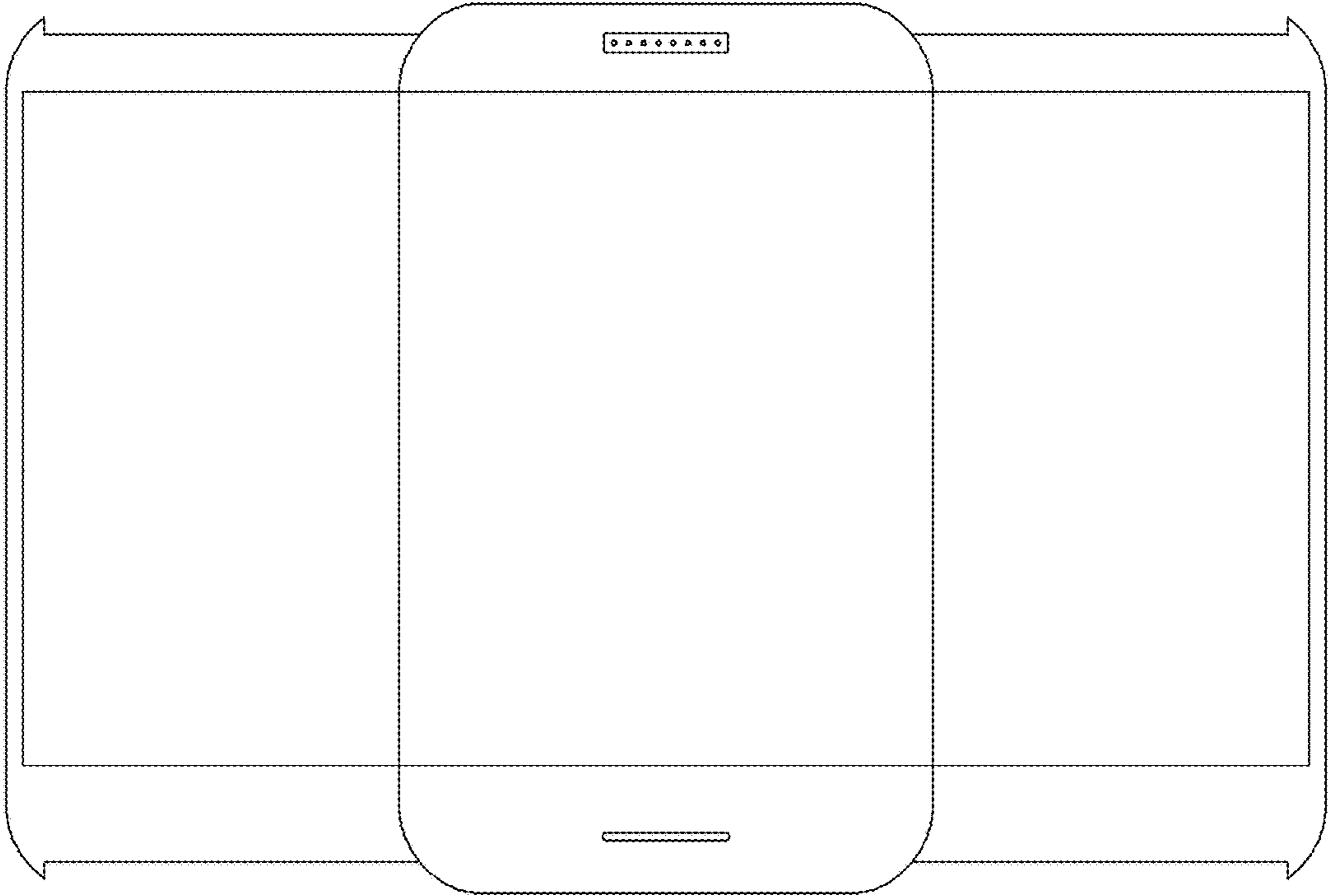


FIG. 2



FIG. 3



FIG. 4

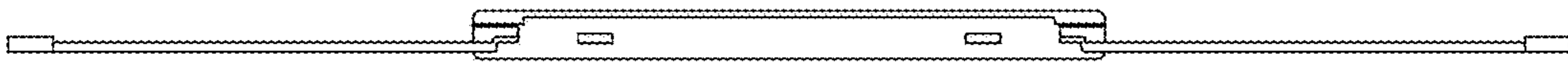


FIG. 5

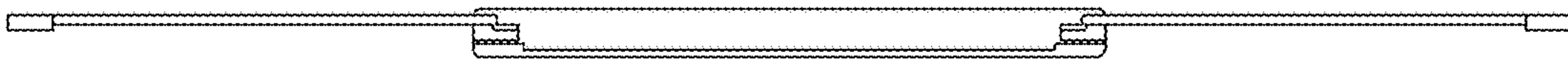


FIG. 6

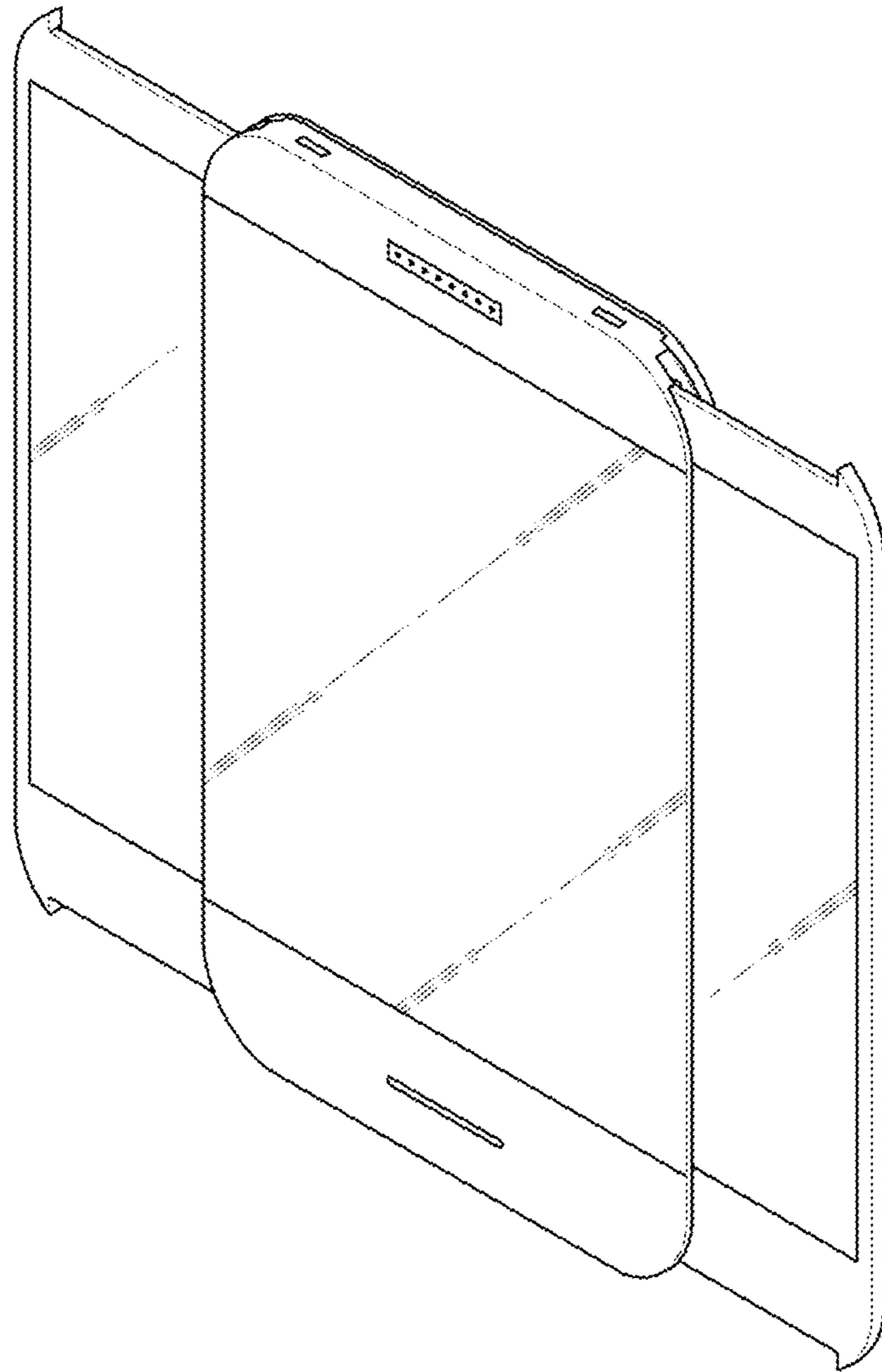


FIG. 7

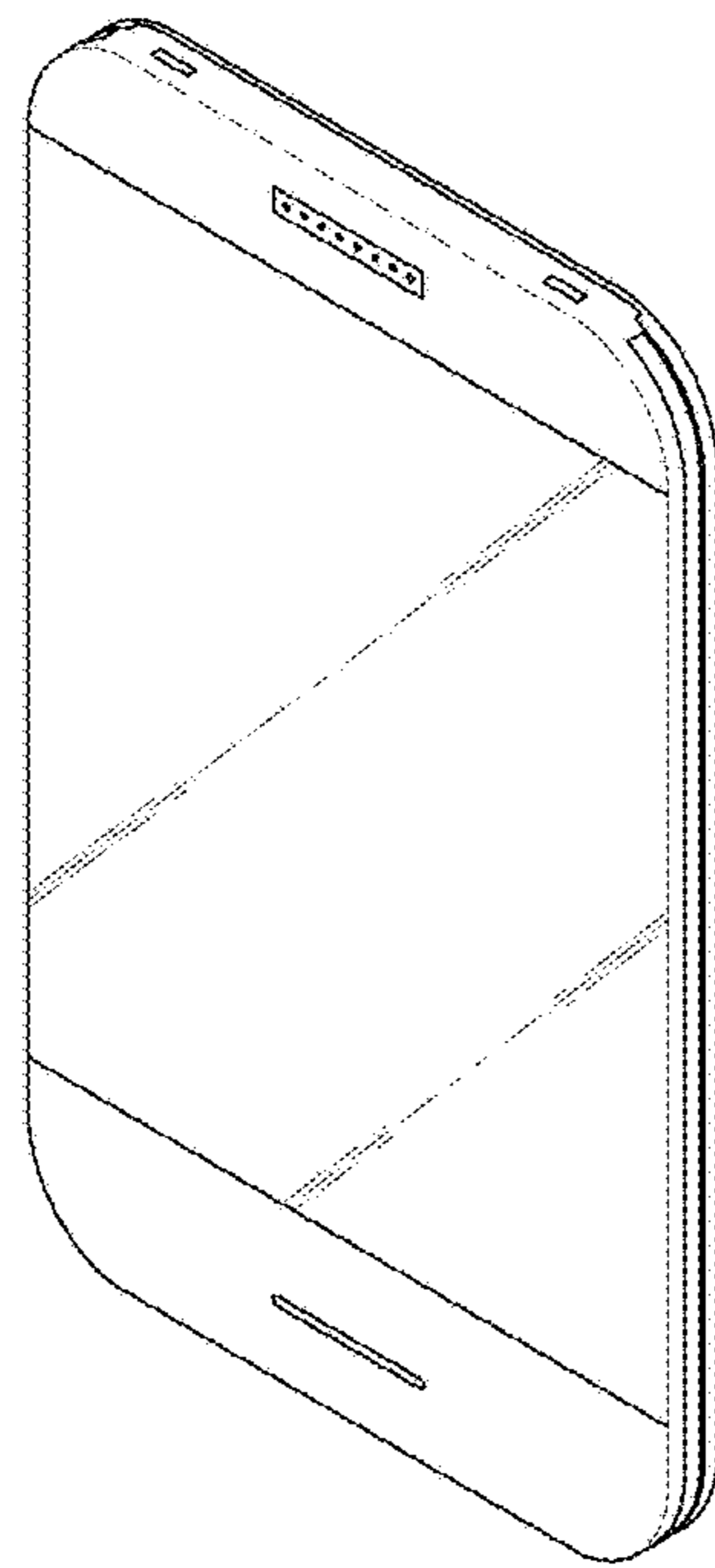


FIG. 8