



US00D798254S

(12) **United States Design Patent**
Kim et al.

(10) **Patent No.: US D798,254 S**

(45) **Date of Patent: ** Sep. 26, 2017**

(54) **STAND FOR TELEVISION RECEIVER**

(56) **References Cited**

(71) Applicant: **LG ELECTRONICS INC.**, Seoul (KR)

U.S. PATENT DOCUMENTS

(72) Inventors: **Hyoungwon Kim**, Seoul (KR);
Mikyung Kim, Seoul (KR)

| | | | |
|--------------|---------|---------------|---------|
| D562,788 S * | 2/2008 | Asanuma | D14/126 |
| D675,175 S * | 1/2013 | Kim | D14/126 |
| D691,102 S * | 10/2013 | Park | D14/126 |
| D725,063 S * | 3/2015 | Cho | D14/126 |
| D760,678 S * | 7/2016 | Cho | D14/126 |

(73) Assignee: **LG ELECTRONICS INC.**, Seoul (KR)

* cited by examiner

(**) Term: **15 Years**

Primary Examiner — George D Kirschbaum

(21) Appl. No.: **35/501,320**

(74) *Attorney, Agent, or Firm* — Birch, Stewart, Kolasch & Birch, LLP

(22) Filed: **Feb. 5, 2016**

(57) **CLAIM**

(80) **Hague Agreement Data**

The ornamental design for a stand for television receiver, as shown and described.

Int. Filing Date: **Feb. 5, 2016**

Int. Reg. No.: **DM/089410**

Int. Reg. Date: **Feb. 5, 2016**

Int. Reg. Pub. Date: **Aug. 5, 2016**

DESCRIPTION

(30) **Foreign Application Priority Data**

Aug. 5, 2015 (KR) 30-2015-0039632

(51) **LOC (10) Cl.** **14-03**

(52) **U.S. Cl.**
USPC **D14/126**

(58) **Field of Classification Search**
USPC D14/126
See application file for complete search history.

1. Stand for television receiver

1.1 : Perspective

1.2 : Front

1.3 : Back

1.4 : Left

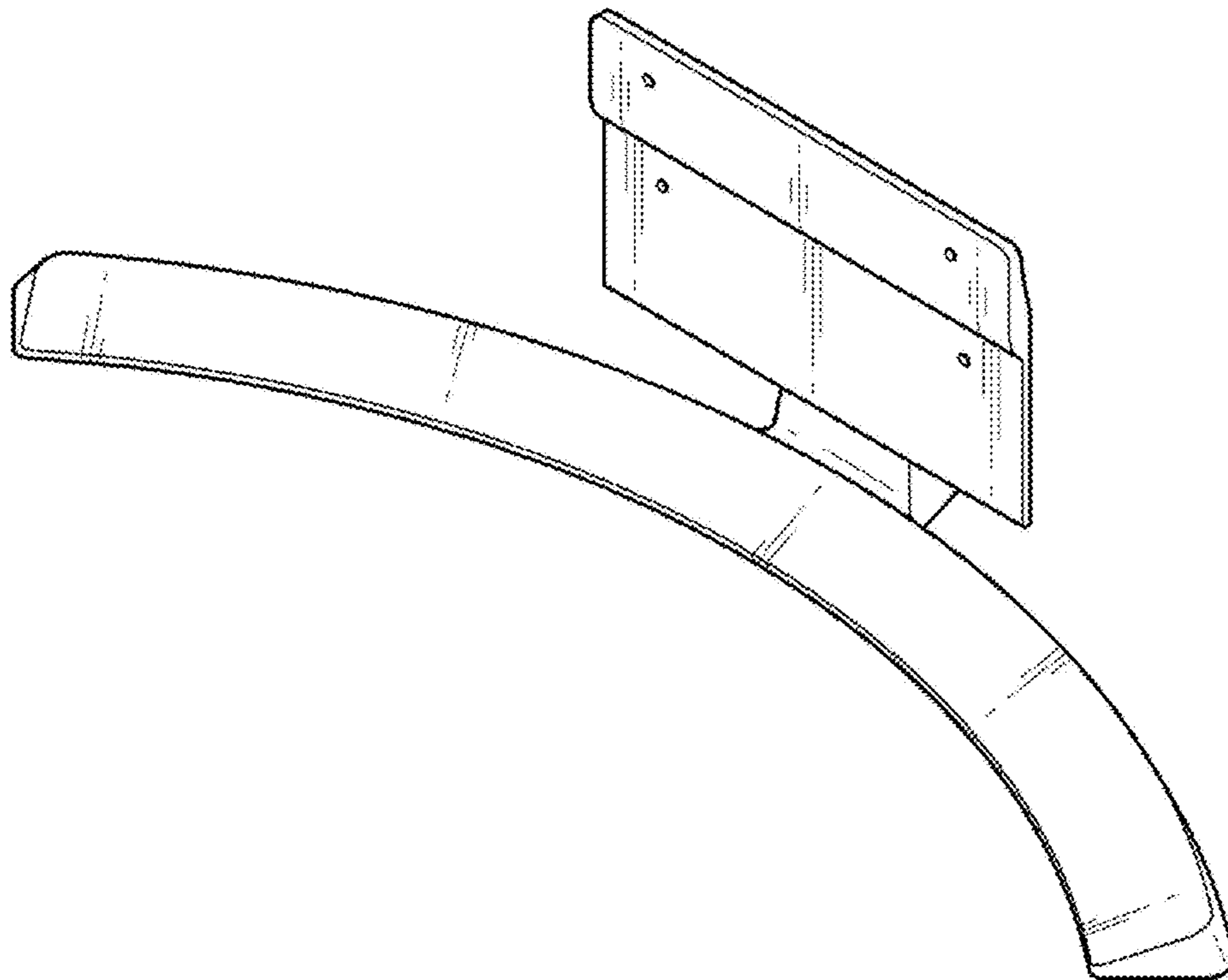
1.5 : Right

1.6 : Top

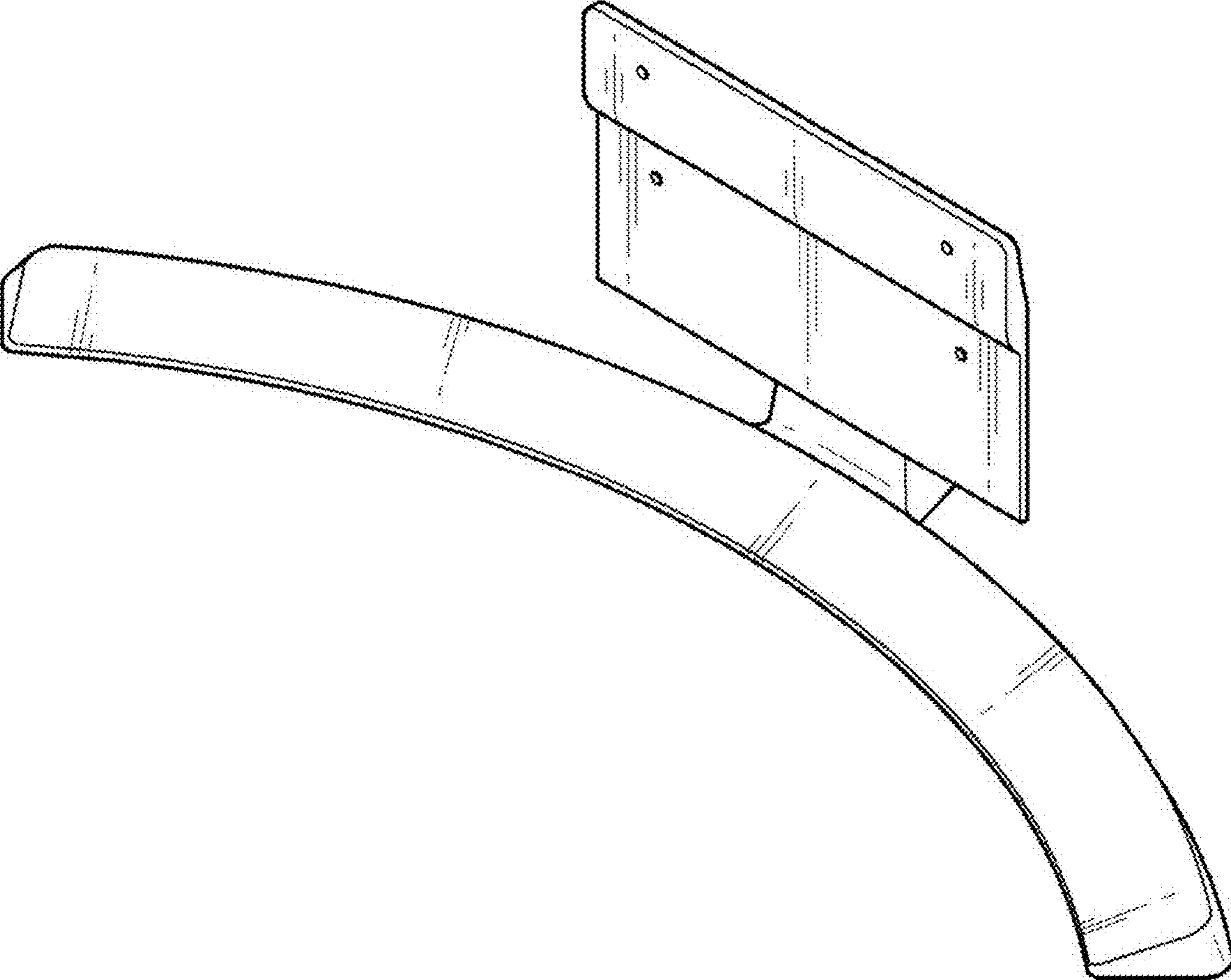
1.7 : Bottom

1.8 : Reference view

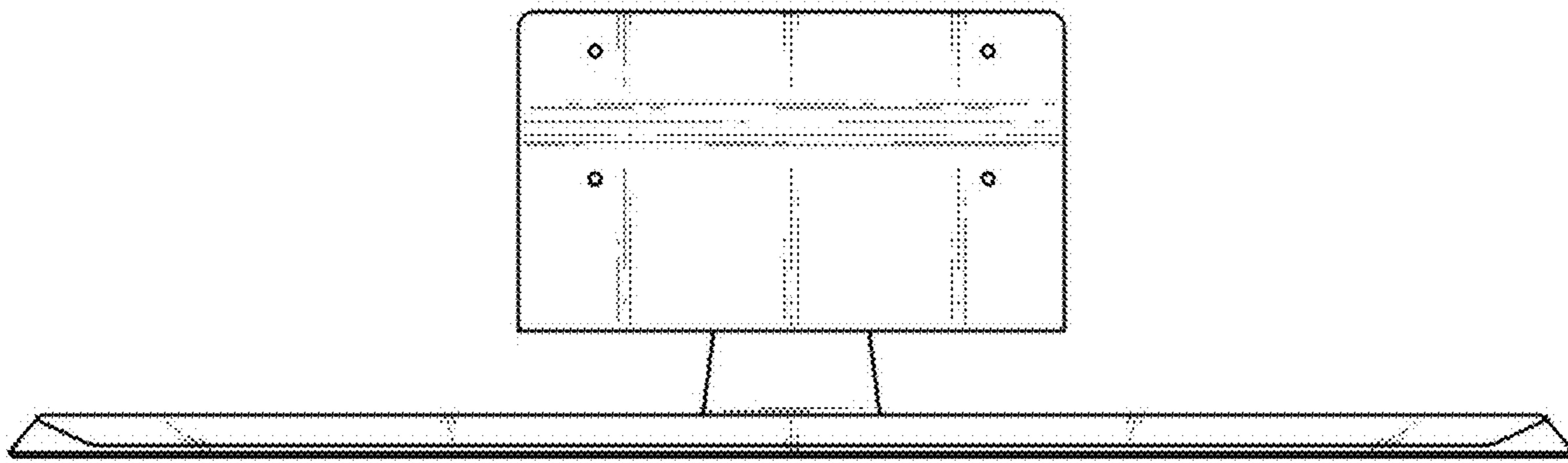
1 Claim, 8 Drawing Sheets



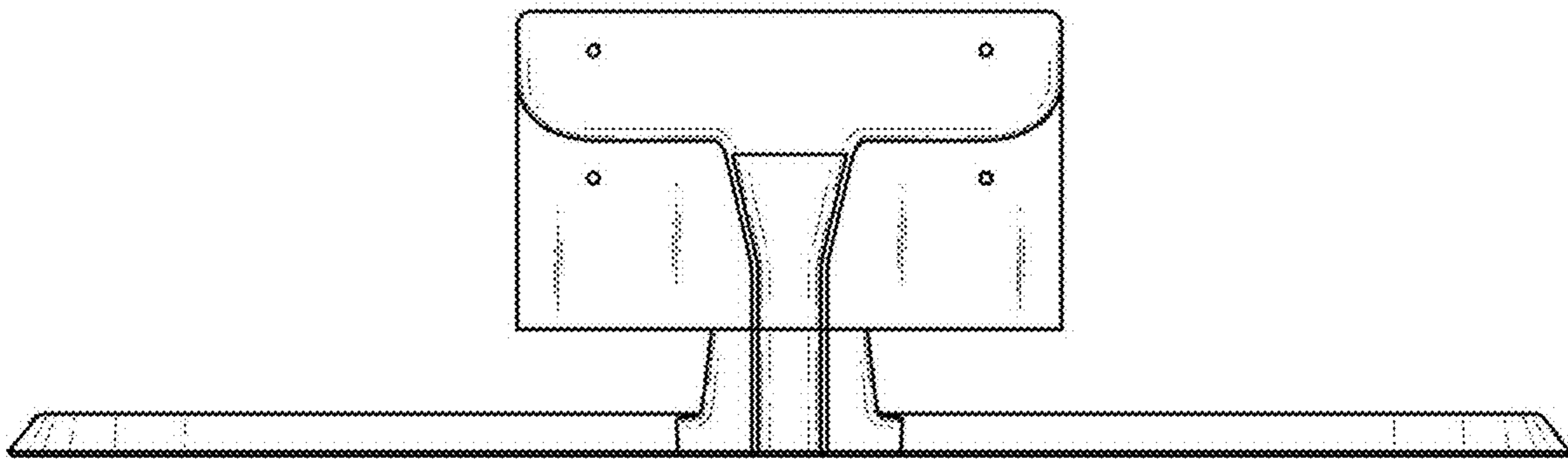
1.1



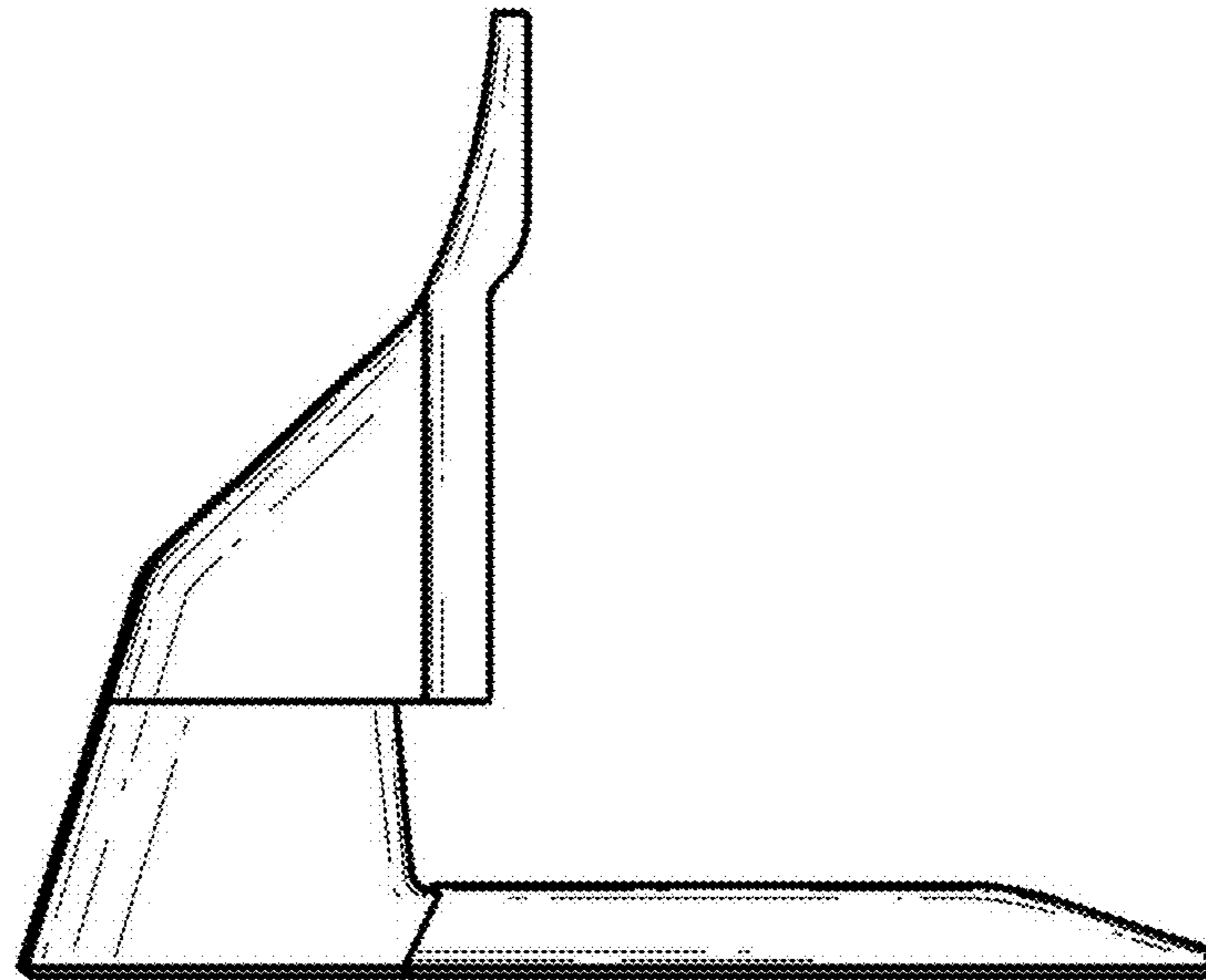
1.2



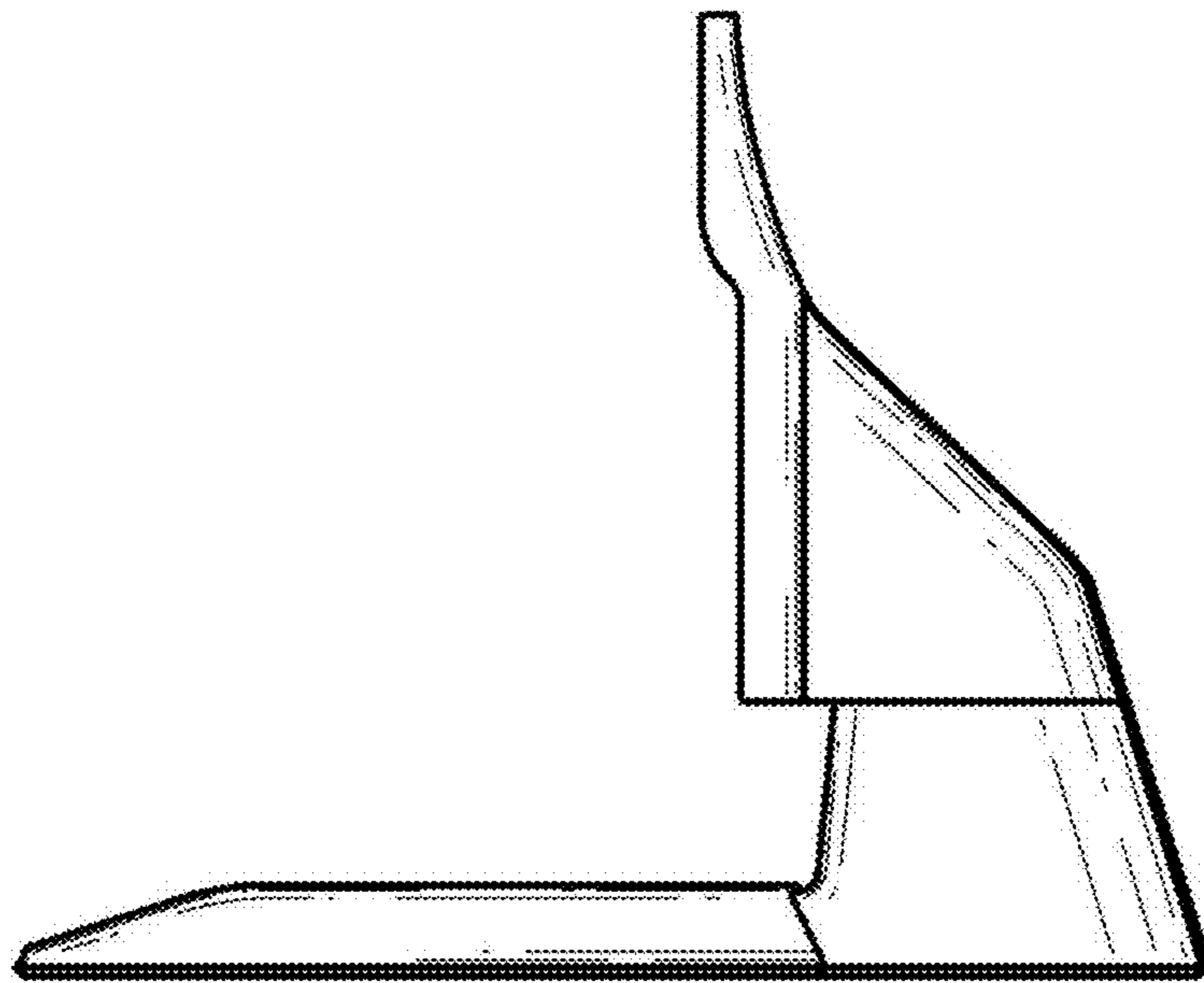
1.3



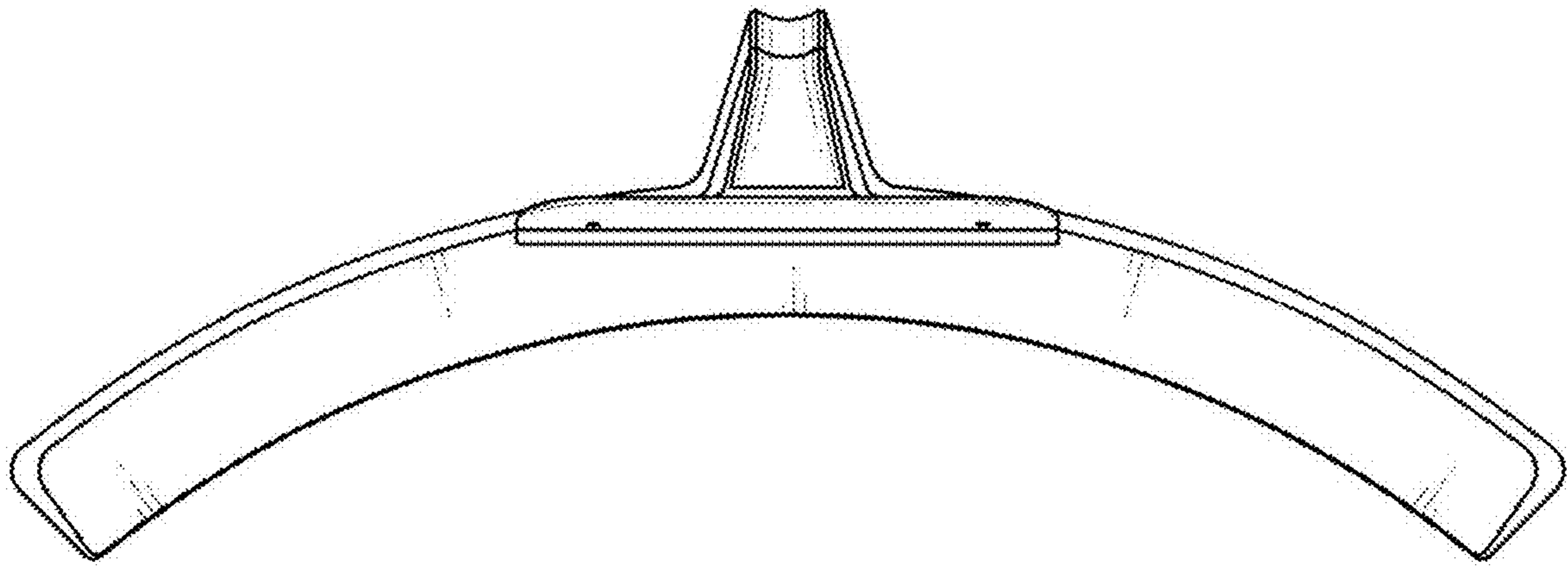
1.4



1.5



1.6



1.7

