



US00D798253S

(12) **United States Design Patent**  
**Kim et al.**

(10) **Patent No.:** **US D798,253 S**  
(45) **Date of Patent:** **\*\* Sep. 26, 2017**

(54) **TV SET**

(71) Applicant: **SAMSUNG ELECTRONICS CO., LTD.**, Suwon-si (KR)

(72) Inventors: **Namkyu Kim**, Seoul (KR); **Inshik Kim**, Seongnam-si (KR); **Haesung Park**, Seoul (KR); **Daekyung Ahn**, Namyangju-si (KR)

(73) Assignee: **SAMSUNG ELECTRONICS CO., LTD.**, Gyeonggi-Do (KR)

(\*\*) Term: **15 Years**

(21) Appl. No.: **29/567,507**

(22) Filed: **Jun. 9, 2016**

(30) **Foreign Application Priority Data**

Dec. 11, 2015 (KR) ..... 30-2015-0063251  
Dec. 11, 2015 (KR) ..... 30-2015-0063255  
Dec. 11, 2015 (KR) ..... 30-2015-0063260

(51) **LOC (10) Cl.** ..... **14-03**

(52) **U.S. Cl.**  
USPC ..... **D14/126**

(58) **Field of Classification Search**  
USPC ..... D14/125-134, 239, 371, 136, 374-377, D14/440, 450, 448, 336, 342, 159; 312/7.2; 348/836, 838, 180, 184, 325, 348/739; 248/917-924, 465; 345/104, 345/133, 156, 168, 87, 173; D21/329, D21/515, 577, 622, 333, 433, 448, 452, D21/450, 331, 505; D10/15, 26; 446/484, 175, 356; D6/477, 479, 300; D24/185; D34/14  
CPC ... G06F 1/1601; G06F 1/1643; H05K 5/0004; H05K 5/0017; H05K 5/02; H05K 5/0217  
See application file for complete search history.

(56) **References Cited**

U.S. PATENT DOCUMENTS

D676,420	S	*	2/2013	Holzer	.....	D14/212
D678,243	S	*	3/2013	McManigal	.....	D14/214
D692,413	S	*	10/2013	Holzer	.....	D14/215
D755,142	S	*	5/2016	Kang	.....	D14/126
D774,011	S	*	12/2016	Behar	.....	D14/126
D780,706	S	*	3/2017	Kim	.....	D14/126
D783,555	S	*	4/2017	Cho	.....	D14/126
D784,967	S	*	4/2017	Bang	.....	D14/239
9,625,942	B2	*	4/2017	Cho	.....	G06F 1/1601

\* cited by examiner

*Primary Examiner* — Randall Gholson

(74) *Attorney, Agent, or Firm* — Cantor Colburn LLP

(57) **CLAIM**

The ornamental design for a TV set, as shown and described.

**DESCRIPTION**

FIG. 1 is a front perspective view of a TV set, showing our new design;  
FIG. 2 is a front view thereof;  
FIG. 3 is a rear view thereof;  
FIG. 4 is a left-side view thereof;  
FIG. 5 is a right-side view thereof;  
FIG. 6 is a top view thereof;  
FIG. 7 is a bottom view thereof; and,  
FIG. 8 is a rear perspective view thereof.  
The broken lines illustrating portions of the TV set form no part of the claimed design.  
The dot-dashed broken lines define boundaries of the claimed design and form no part of the claimed design.

**1 Claim, 5 Drawing Sheets**

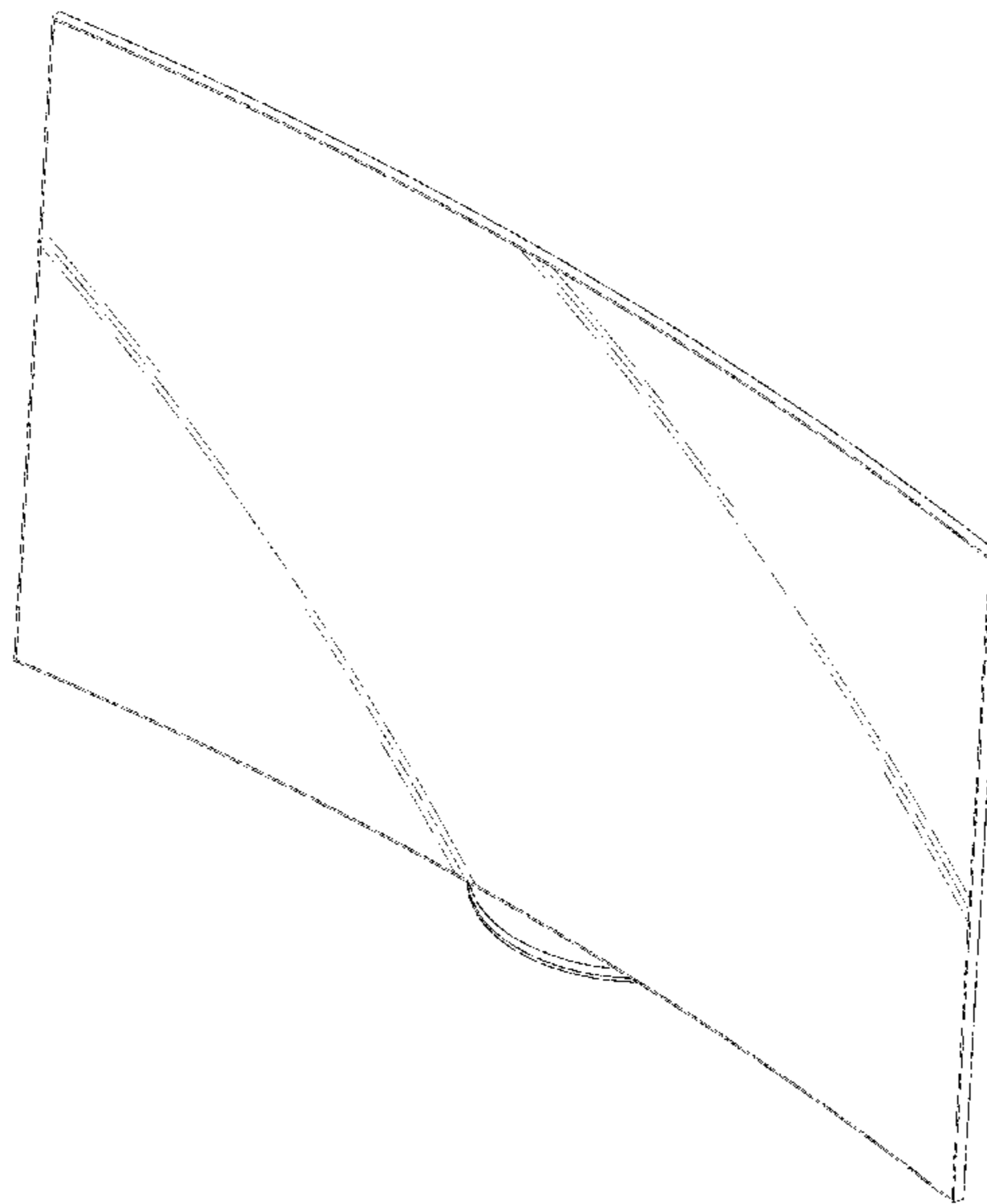


FIG.1

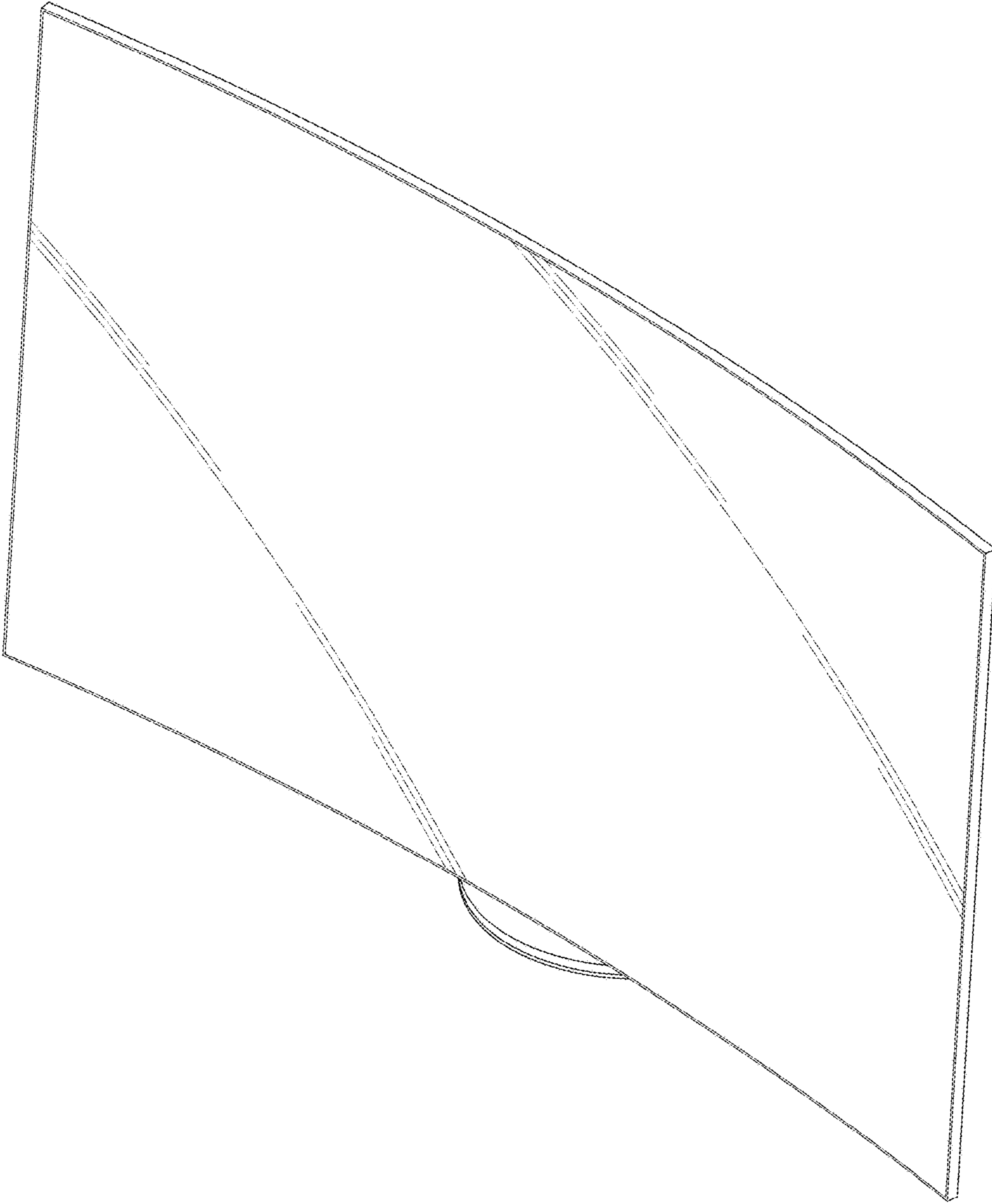


FIG.2

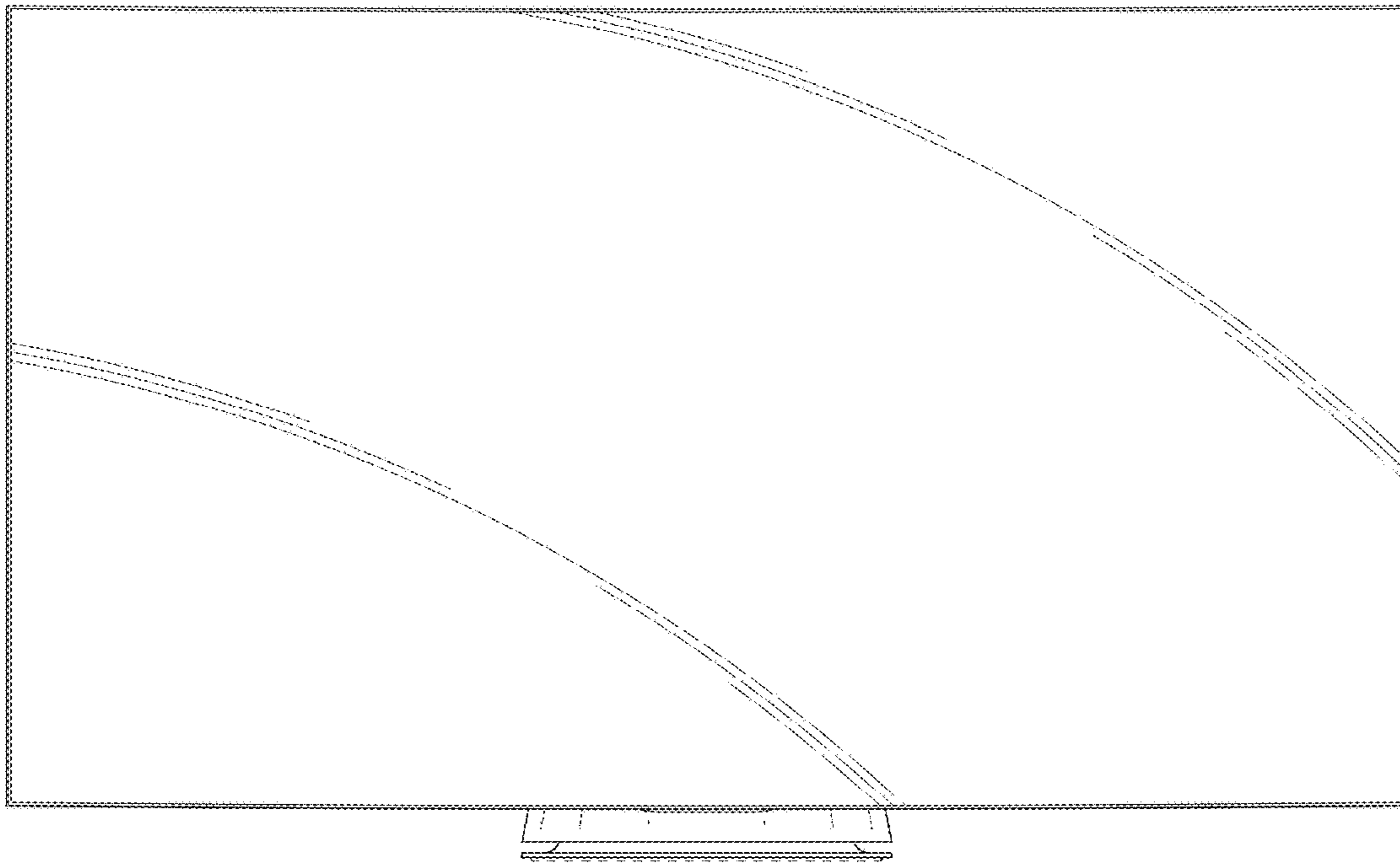


FIG.3

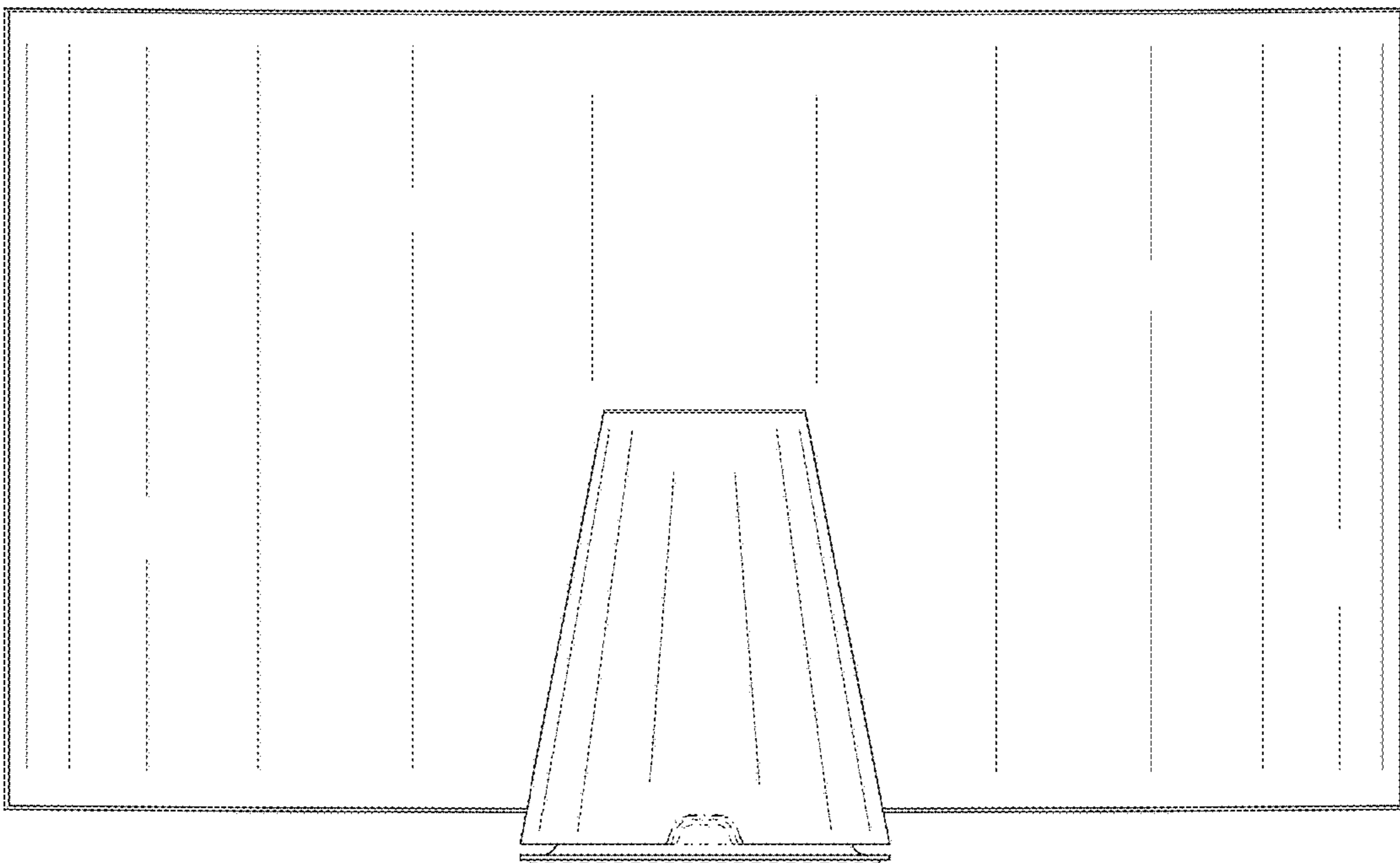


FIG.4

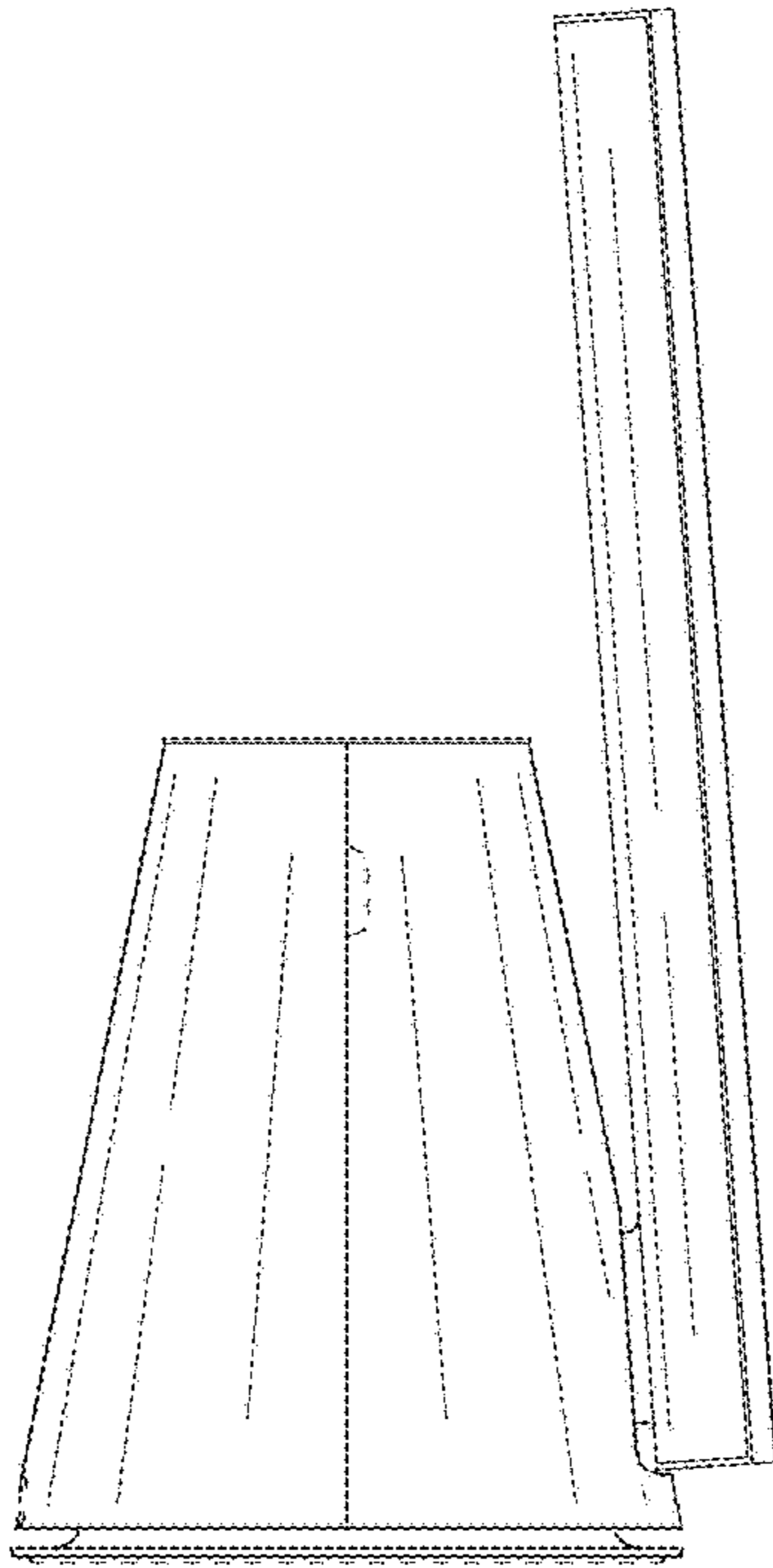


FIG.5

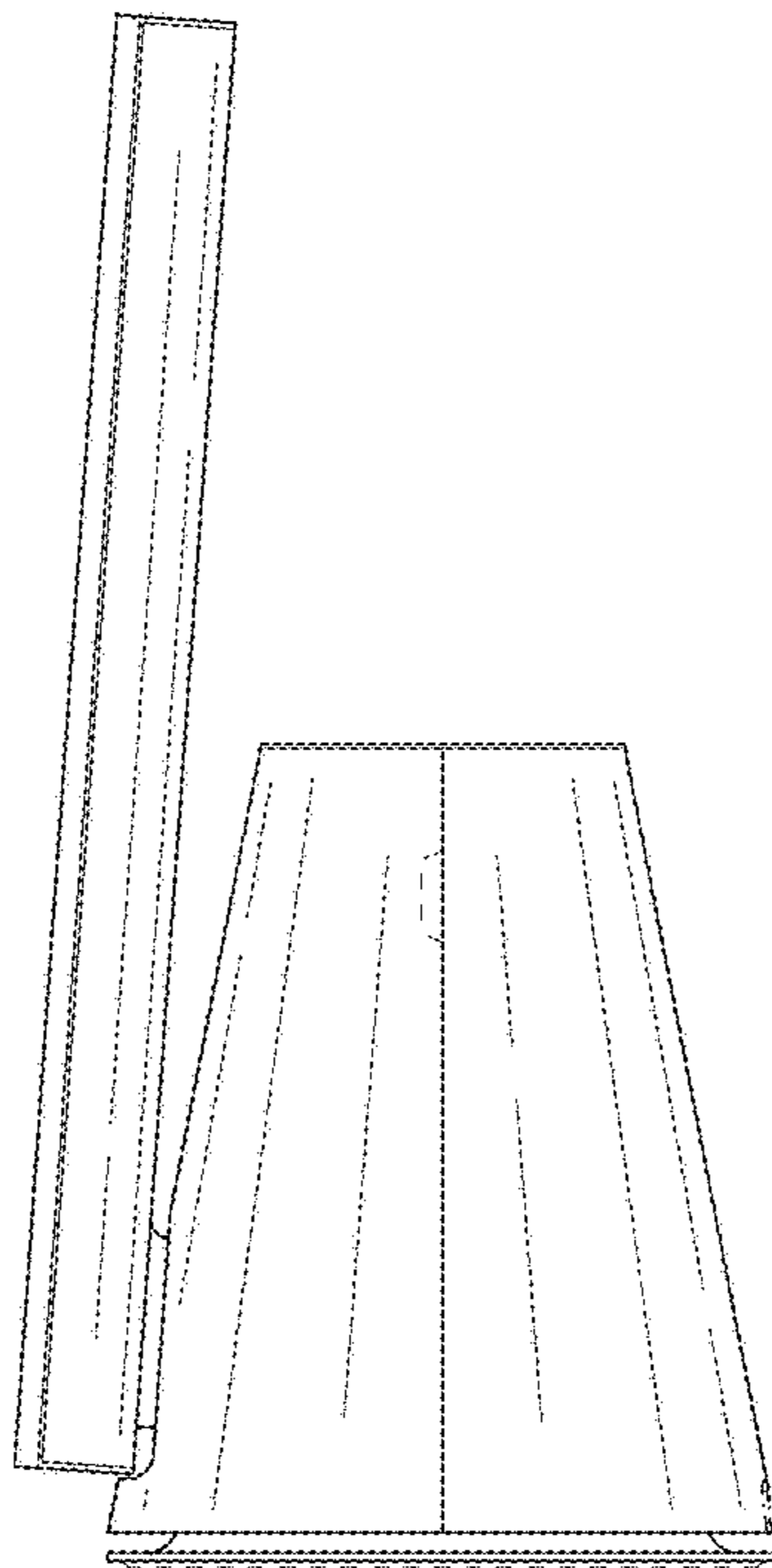


FIG.6

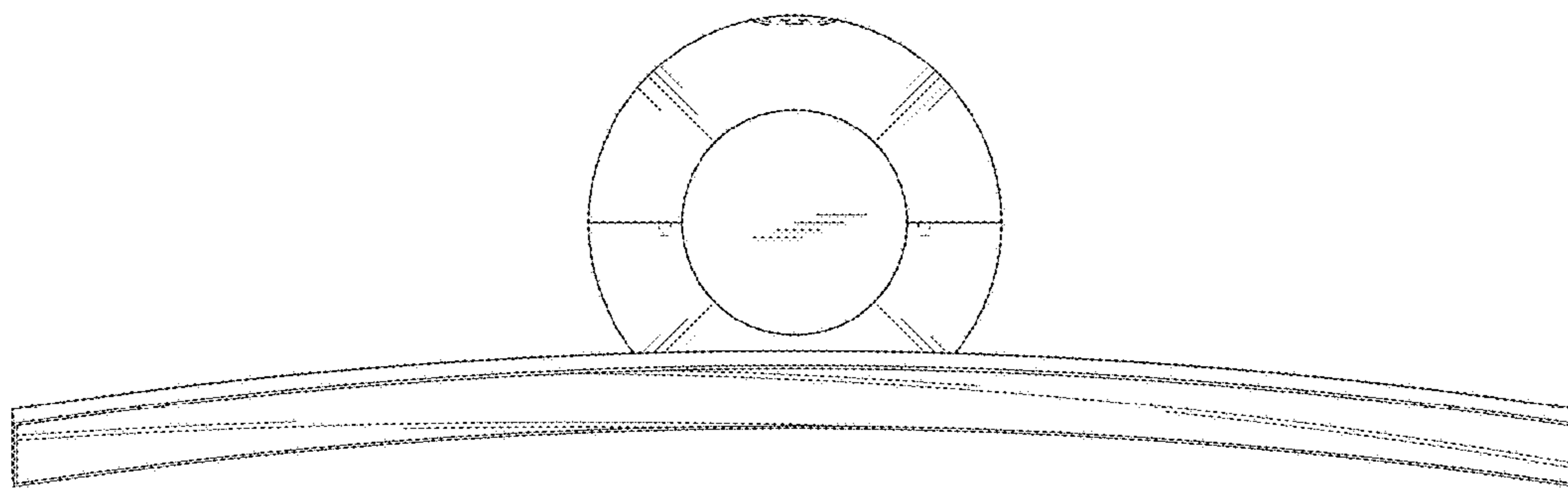


FIG.7

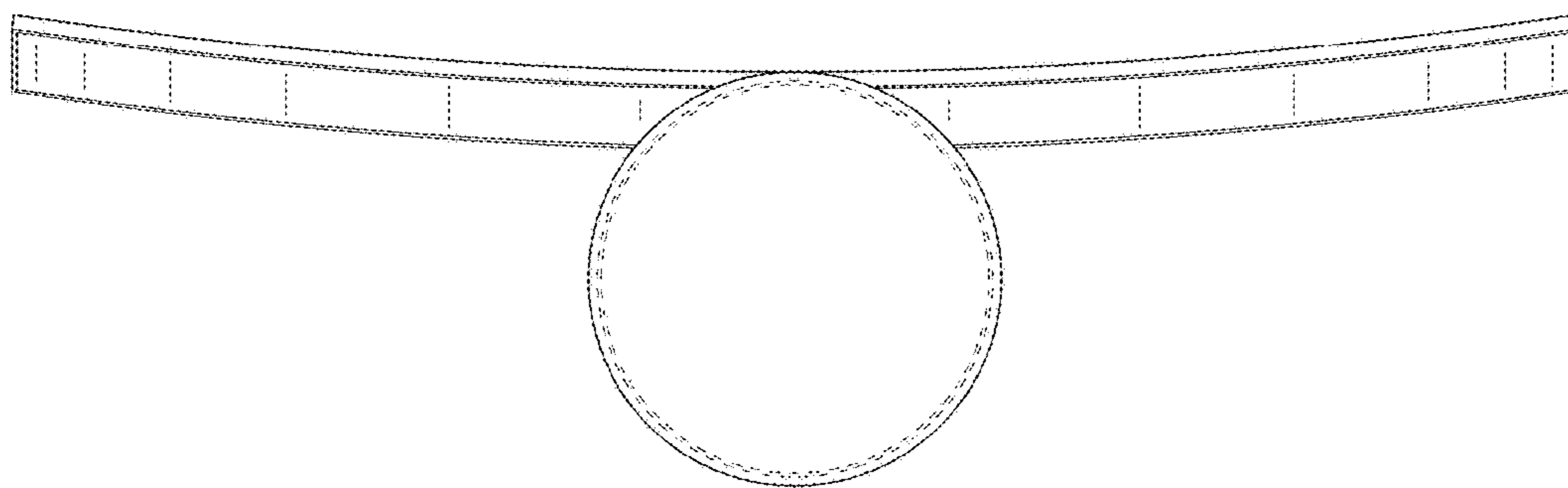


FIG.8

