



US00D798250S

(12) **United States Design Patent**
Furutani et al.

(10) **Patent No.:** **US D798,250 S**

(45) **Date of Patent:** **** Sep. 26, 2017**

(54) **HEATER**

(71) Applicant: **NuFlare Technology, Inc.**,
Yokohama-shi (JP)

(72) Inventors: **Hiroshi Furutani**, Kanagawa-ken (JP);
Yuusuke Sato, Tokyo (JP)

(73) Assignee: **NuFlare Technology, Inc.**,
Yokohama-shi (JP)

(**) Term: **15 Years**

(21) Appl. No.: **29/566,273**

(22) Filed: **May 27, 2016**

(30) **Foreign Application Priority Data**

Dec. 1, 2015 (JP) 2015-026892

(51) **LOC (10) Cl.** **13-03**

(52) **U.S. Cl.**
USPC **D13/182**

(58) **Field of Classification Search**
USPC D13/182; D9/429; D7/566, 570;
118/724, 725; 219/390, 544; 392/418
CPC H01L 21/67109; H01L 21/67115; H01L
21/67098; H01L 21/67103; C23C 16/455;
C23C 16/46; C23C 16/45565; C23C
16/481; C30B 25/14; C30B 31/12; F27B
17/0025; H05B 3/48; H05B 3/141; H05B
3/283; H05B 3/46; H05B 3/50; H05B
3/28; H05B 3/26; H05B 3/40; B29C
65/34

See application file for complete search history.

(56) **References Cited**

U.S. PATENT DOCUMENTS

5,540,782 A * 7/1996 Miyagi C23C 16/46
118/724
D404,016 S * 1/1999 Ishii D13/182

D404,375 S * 1/1999 Shimazu D13/182
D405,427 S * 2/1999 Ishii D13/182
D405,428 S * 2/1999 Ishii D13/182
5,911,896 A * 6/1999 Holden H01L 21/67109
118/725
6,037,574 A * 3/2000 Lanham H05B 3/28
219/390
D427,570 S * 7/2000 Ishii D13/182
D428,858 S * 8/2000 Ishii 118/724
6,529,686 B2 * 3/2003 Ramanan H01L 21/67109
118/724
6,616,767 B2 * 9/2003 Zhao C23C 16/45565
118/725
D589,471 S * 3/2009 Komatsu D13/182
D600,220 S * 9/2009 Sato D13/179
D600,660 S * 9/2009 Sato D13/179
D601,521 S * 10/2009 Komatsu D13/182
D604,257 S * 11/2009 Inatomi D13/182
7,645,342 B2 * 1/2010 Emerson C23C 16/46
118/725
D614,153 S * 4/2010 Fondurulia C23C 16/4481
D13/182

(Continued)

Primary Examiner — Elizabeth J Oswecki
(74) *Attorney, Agent, or Firm* — Oblon, McClelland,
Maier & Neustadt, L.L.P.

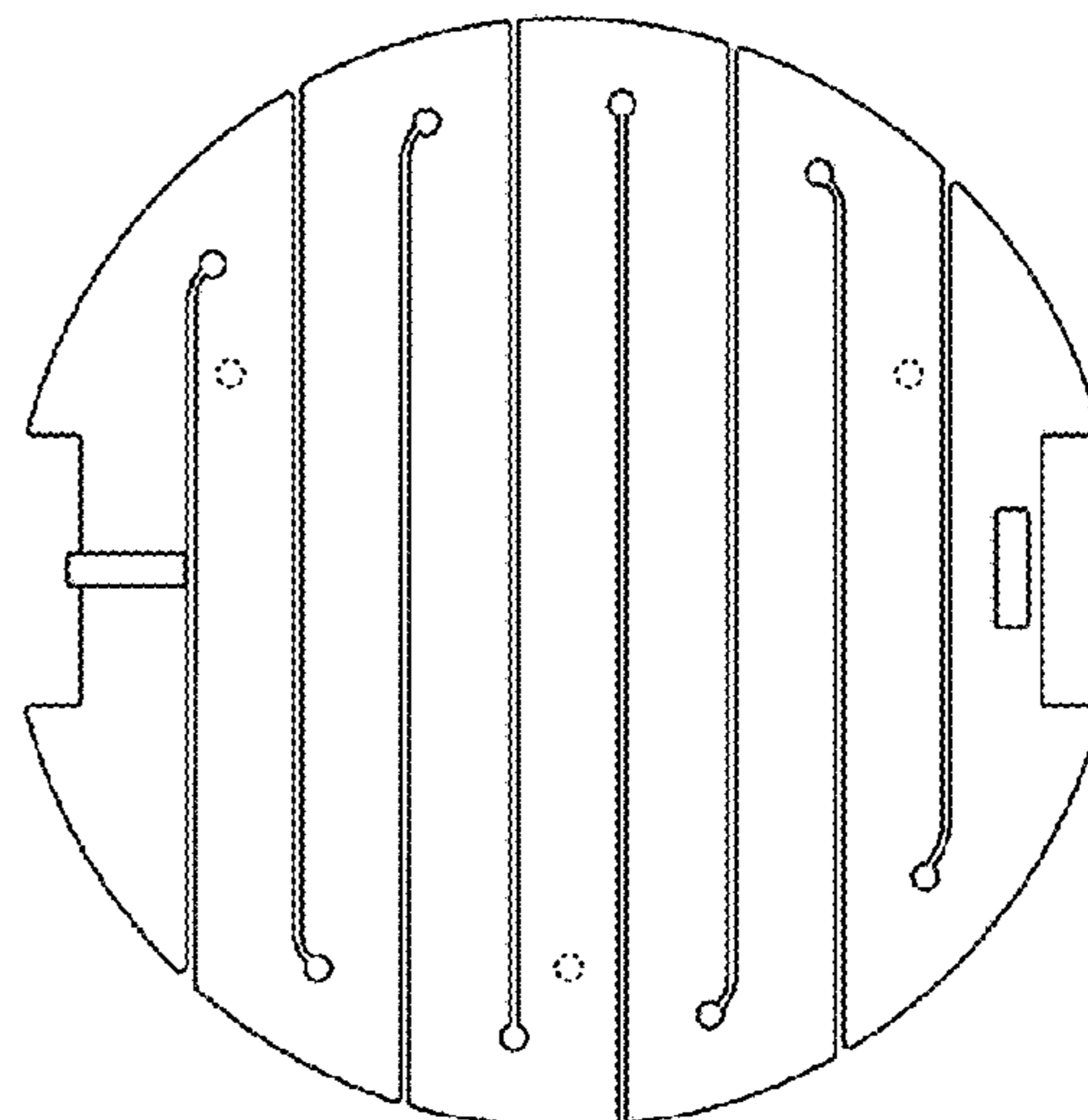
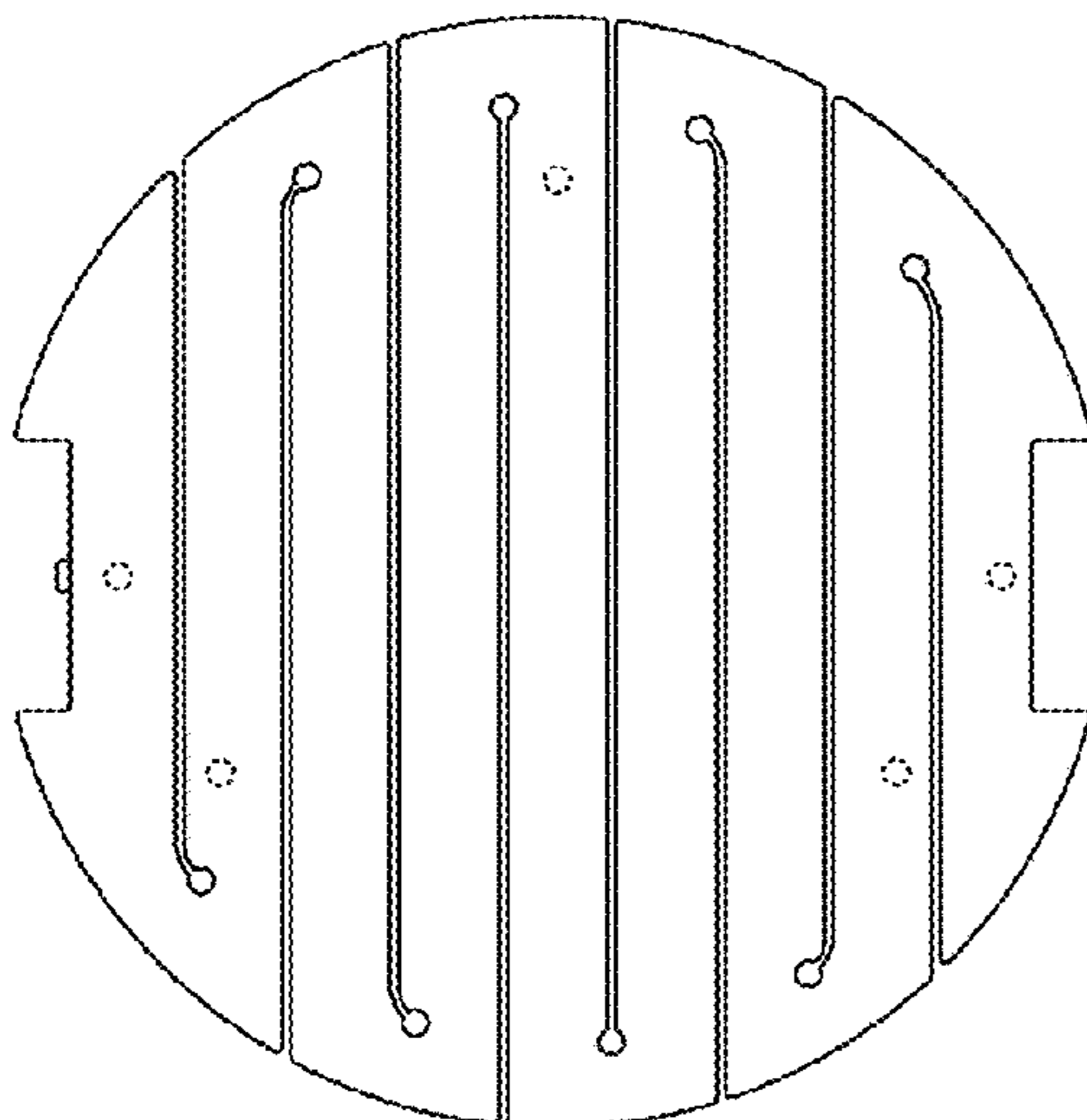
(57) **CLAIM**

The ornamental design for a heater, as shown and described.

DESCRIPTION

FIG. 1 is a top plan view of a heater showing our new design;
FIG. 2 is a bottom plan view thereof;
FIG. 3 is a front elevation view thereof;
FIG. 4 is a back elevation view thereof;
FIG. 5 is a left side elevation view thereof; and,
FIG. 6 is a right side elevation view thereof.
The broken lines in the drawings illustrate subject matter that forms no part of the claimed design.

1 Claim, 5 Drawing Sheets



(56)

References Cited

U.S. PATENT DOCUMENTS

D615,937 S * 5/2010 Sato D13/182
D616,392 S * 5/2010 Sato D13/182
D616,393 S * 5/2010 Sato D13/182
8,933,375 B2 * 1/2015 Dunn H01L 21/67109
118/724
8,986,456 B2 * 3/2015 Fondurulia C23C 16/4481
118/726
2002/0190051 A1 * 12/2002 Wang C23C 16/0209
219/390
2005/0217583 A1 * 10/2005 Cole G01R 31/2891
118/724

* cited by examiner

FIG. 1

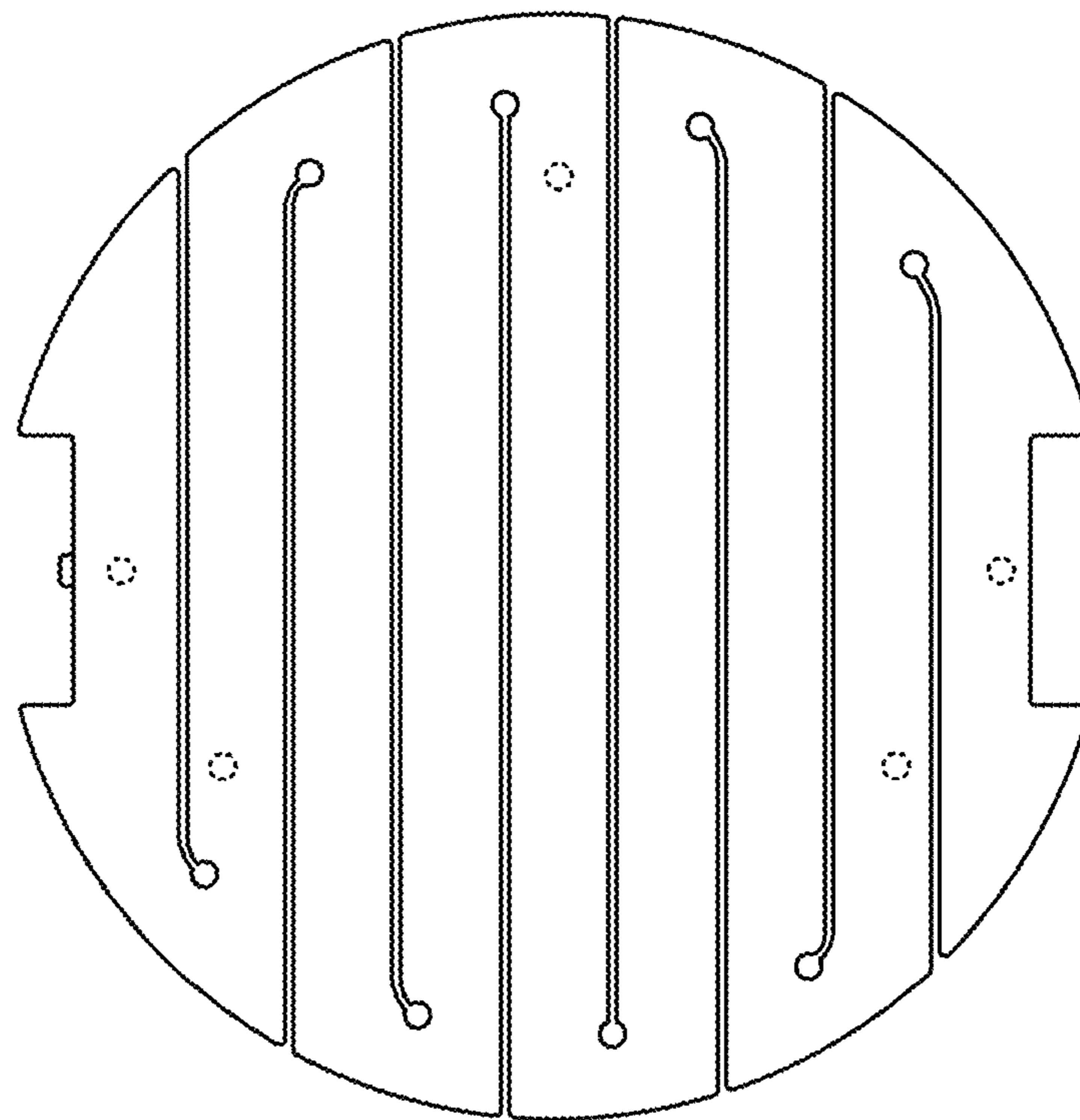


FIG. 2

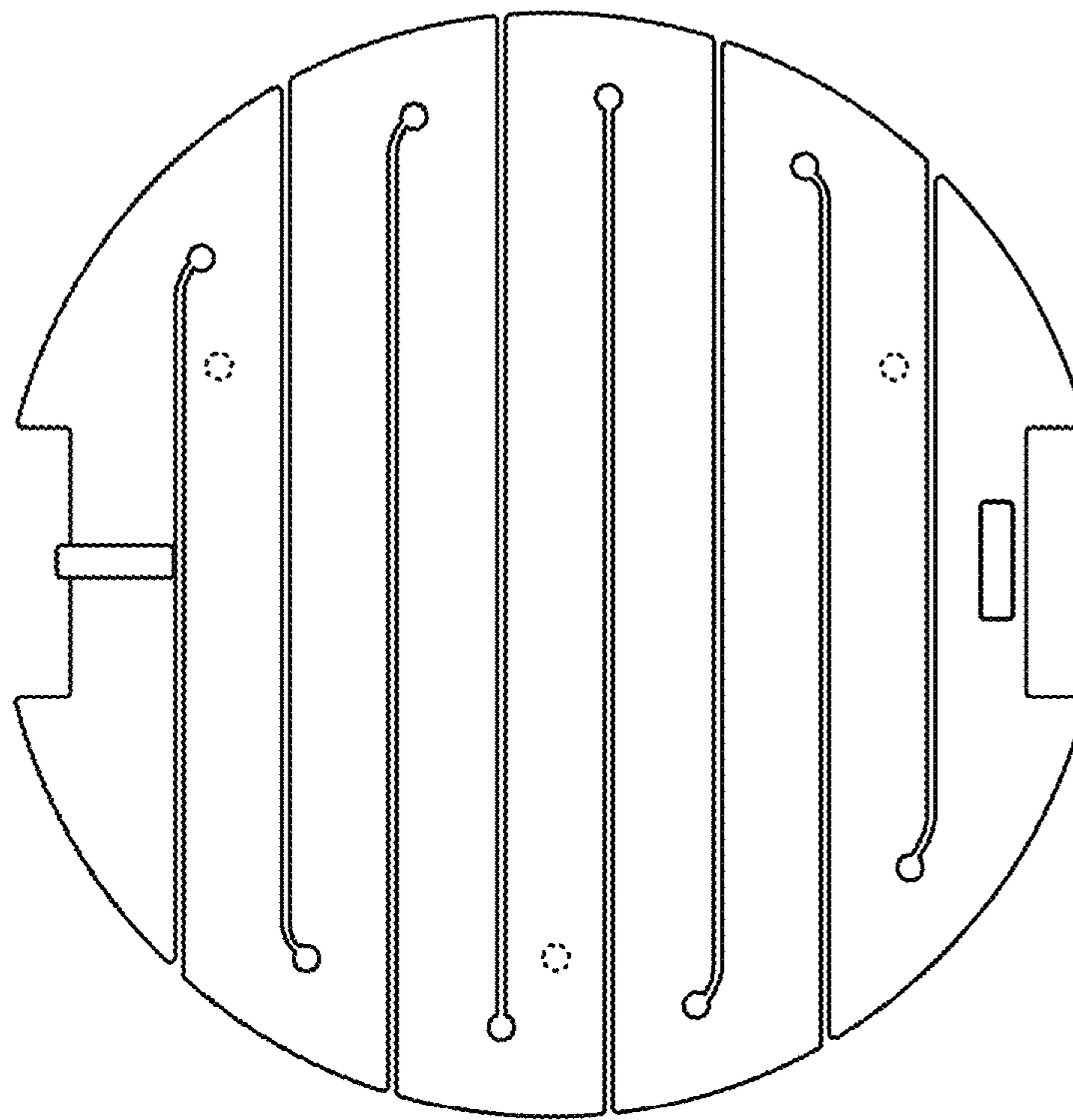


FIG. 3



FIG. 4

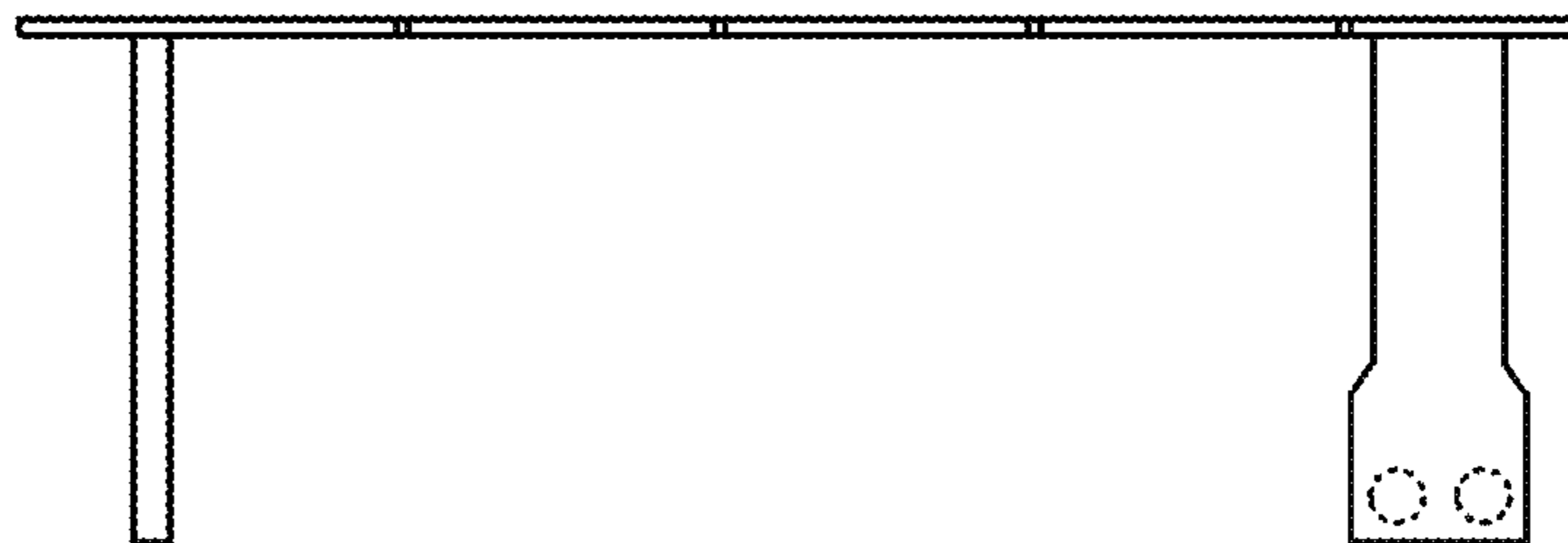


FIG. 5

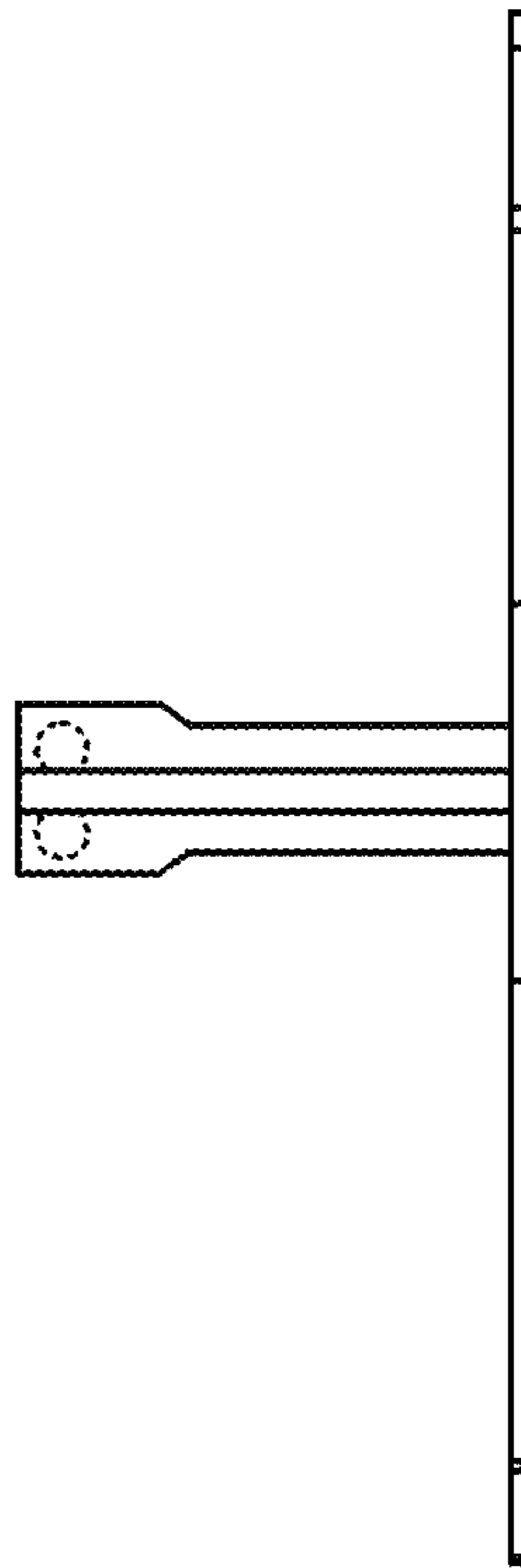


FIG. 6

