



US00D798246S

(12) **United States Design Patent** (10) **Patent No.:** **US D798,246 S**  
**Benda et al.** (45) **Date of Patent:** **\*\* Sep. 26, 2017**

(54) **SINGLE-POLE BREAKER LOCKOUT**

(71) Applicant: **Brady Worldwide, Inc.**, Milwaukee, WI (US)

(72) Inventors: **Steven J. Benda**, Cokato, MN (US);  
**Nels E. Benda**, Hancock, MI (US);  
**Chad M. Benda**, Cokato, MN (US);  
**Katherine A. Cherney**, Glendale, WI (US);  
**Andrew N. Enger**, Muskego, WI (US)

(73) Assignee: **Brady Worldwide, Inc.**, Milwaukee, WI (US)

(\*\*) Term: **15 Years**

(21) Appl. No.: **29/563,088**

(22) Filed: **May 2, 2016**

(51) **LOC (10) Cl.** ..... **13-03**

(52) **U.S. Cl.**  
USPC ..... **D13/178**

(58) **Field of Classification Search**  
USPC ..... D13/173, 178; D8/394  
CPC . H01H 9/20; H01H 9/28; H01H 9/283; E05B 65/00

See application file for complete search history.

(56) **References Cited**

**U.S. PATENT DOCUMENTS**

5,122,624	A	6/1992	Benda	
5,300,740	A	4/1994	Benda	
D365,547	S *	12/1995	Steinwachs	..... D13/178
5,500,495	A	3/1996	Benda et al.	
6,727,441	B2	4/2004	Benda	
D535,629	S *	1/2007	Kalous	..... D13/178
7,262,376	B2 *	8/2007	Brojanac	..... H01H 9/283 200/43.14
D564,859	S *	3/2008	Brojanac	..... D13/178
9,208,964	B2 *	12/2015	Dudgeon	..... H01H 9/283
2004/0245077	A1	12/2004	Benda	

2007/0084705	A1 *	4/2007	Marshall	..... H01H 9/283 200/43.11
2007/0187216	A1 *	8/2007	McCoy	..... H01H 9/26 200/43.13
2012/0205224	A1 *	8/2012	Hackett	..... H01H 9/283 200/43.14

(Continued)

*Primary Examiner* — Selina Sikder

(74) *Attorney, Agent, or Firm* — Quarles & Brady LLP

(57) **CLAIM**

The ornamental design for a single-pole breaker lockout, as shown and described.

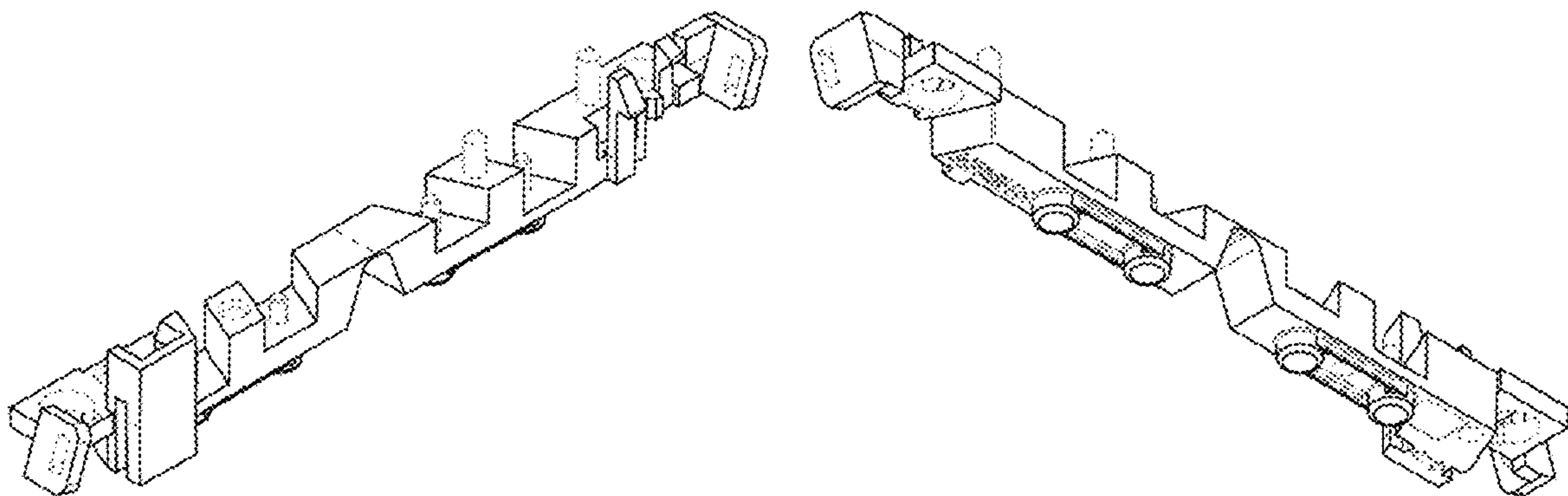
**DESCRIPTION**

FIG. 1 is an isometric view of a top, front, and right side of an ornamental design for a single-pole breaker lockout; FIG. 2 is an isometric view of a bottom, rear, and left side of the single-pole breaker lockout of FIG. 1; FIG. 3 is a front elevational view of the single-pole breaker lockout of FIG. 1; FIG. 4 is a rear elevational view of the single-pole breaker lockout of FIG. 1; FIG. 5 is a right side elevational view of the single-pole breaker lockout of FIG. 1; FIG. 6 is a left side elevational view of the single-pole breaker lockout of FIG. 1; FIG. 7 is a top plan elevational view of the single-pole breaker lockout of FIG. 1; and, FIG. 8 is a bottom plan elevational view of the single-pole breaker lockout of FIG. 1.

The dash-dash broken lines are included for the purpose of illustrating portions of the single-pole breaker lockout that form no part of the claimed design. The dot-dash broken lines are included for the purposes of illustrating a boundary line that forms no part of the claimed design.

In a preferred embodiment, the nature of this product is as a locking device for isolating or limiting access to controls, such as switches or breakers.

**1 Claim, 7 Drawing Sheets**



(56)

**References Cited**

U.S. PATENT DOCUMENTS

2012/0273330 A1\* 11/2012 Wojtak ..... H01H 9/283  
200/43.16  
2013/0206553 A1\* 8/2013 Montgomery ..... H01H 9/283  
200/43.21  
2014/0102865 A1\* 4/2014 Obenshain ..... H01H 9/20  
200/43.11  
2016/0336122 A1\* 11/2016 Benda ..... H01H 9/283

\* cited by examiner

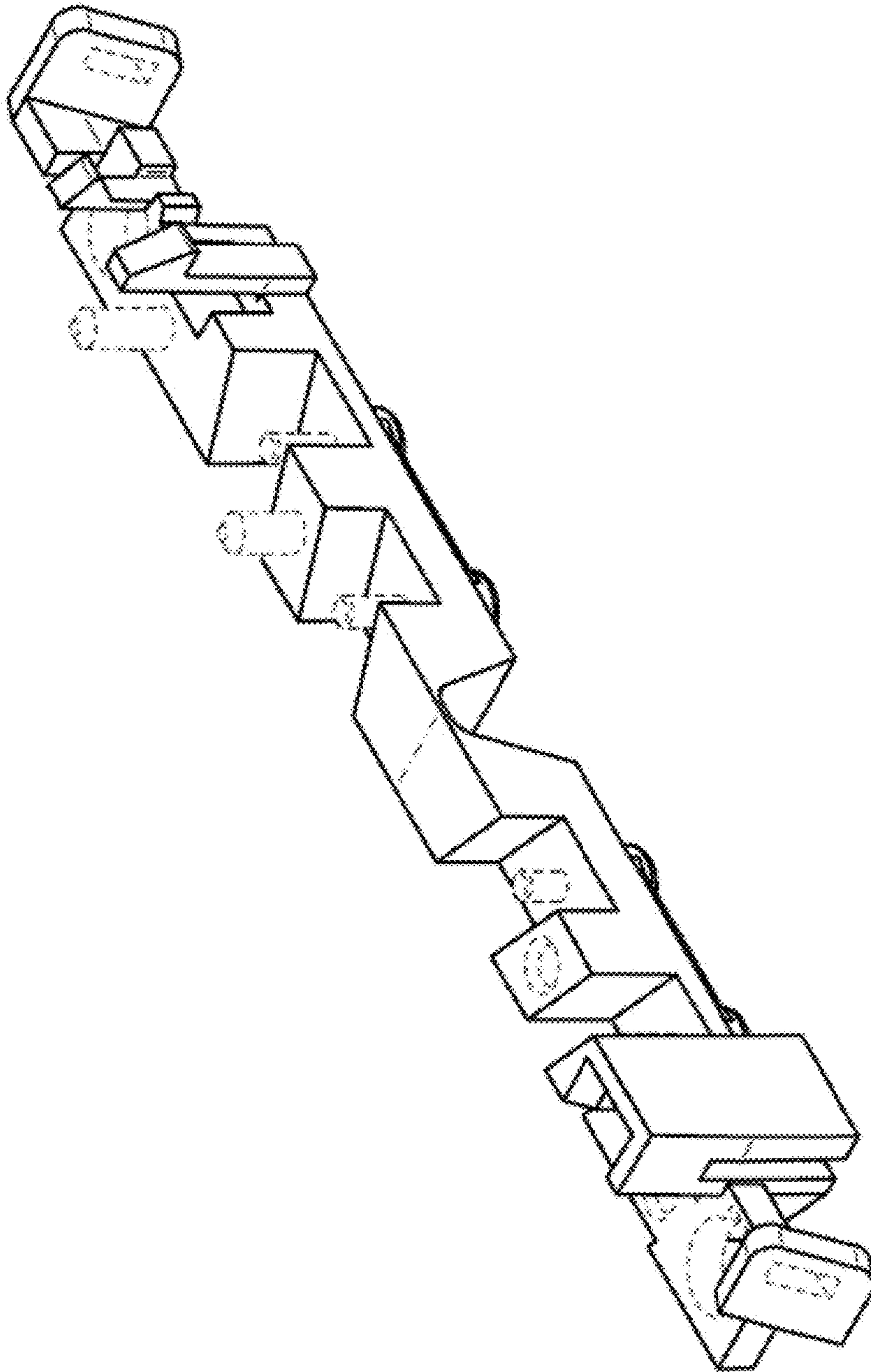


FIG. 1

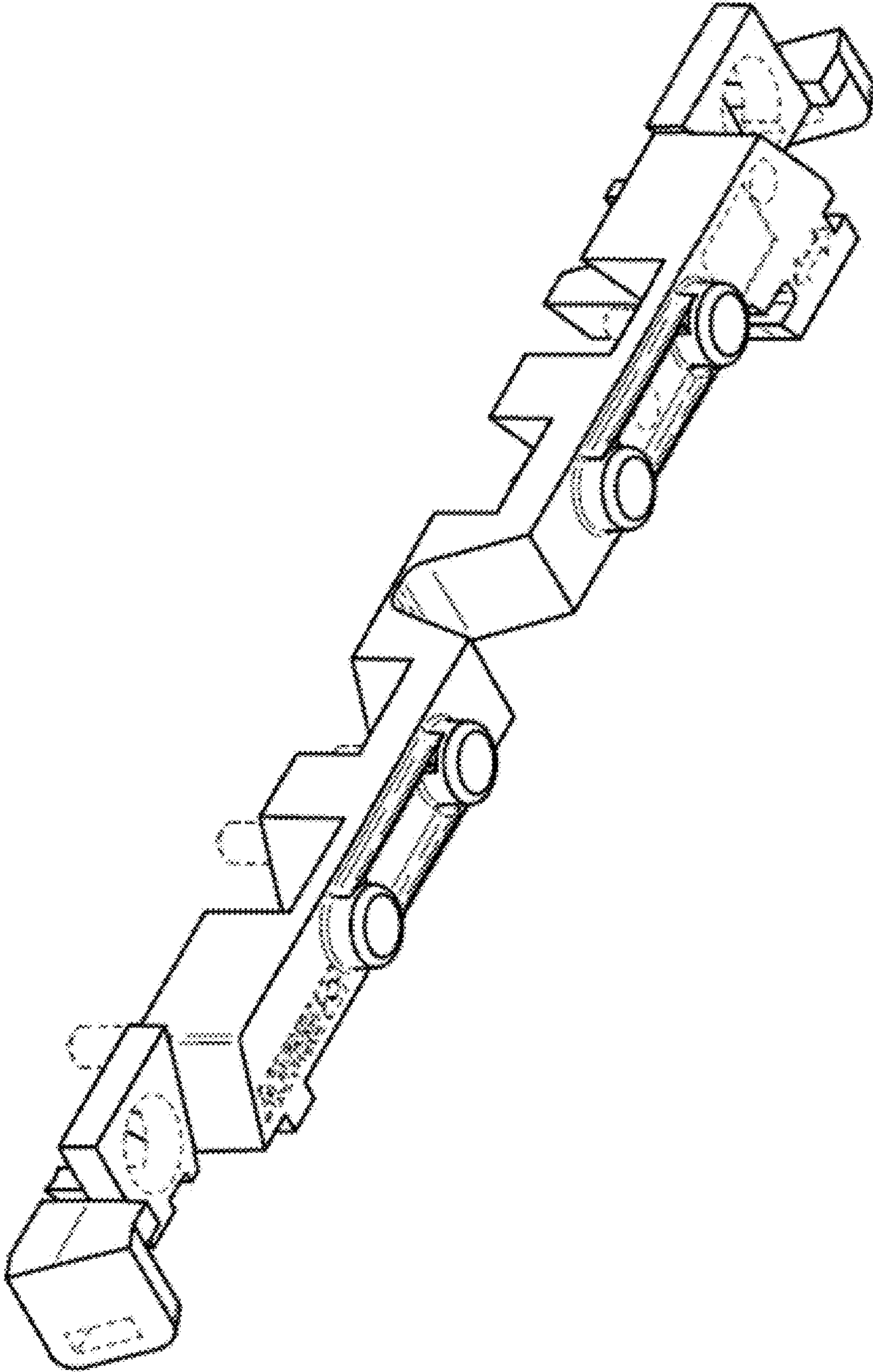


FIG. 2



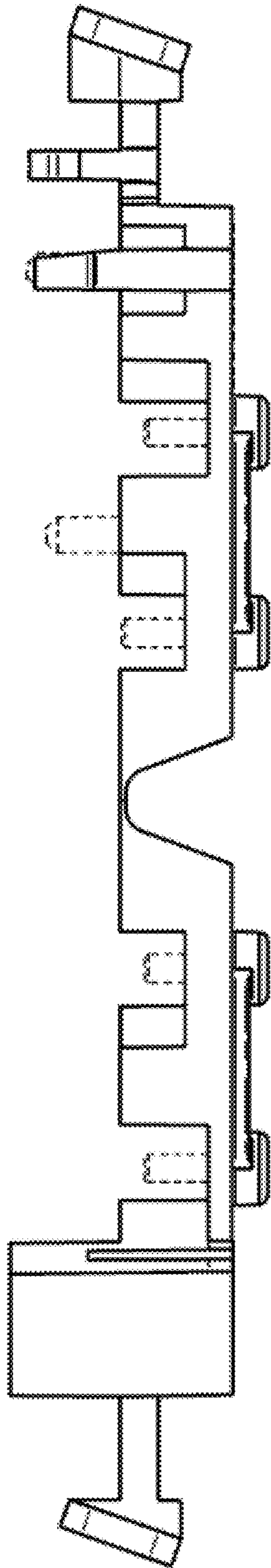


FIG. 3

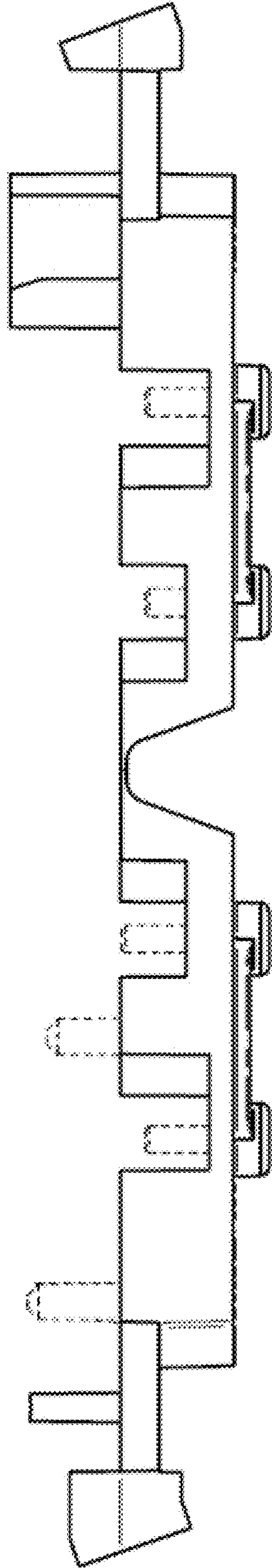


FIG. 4

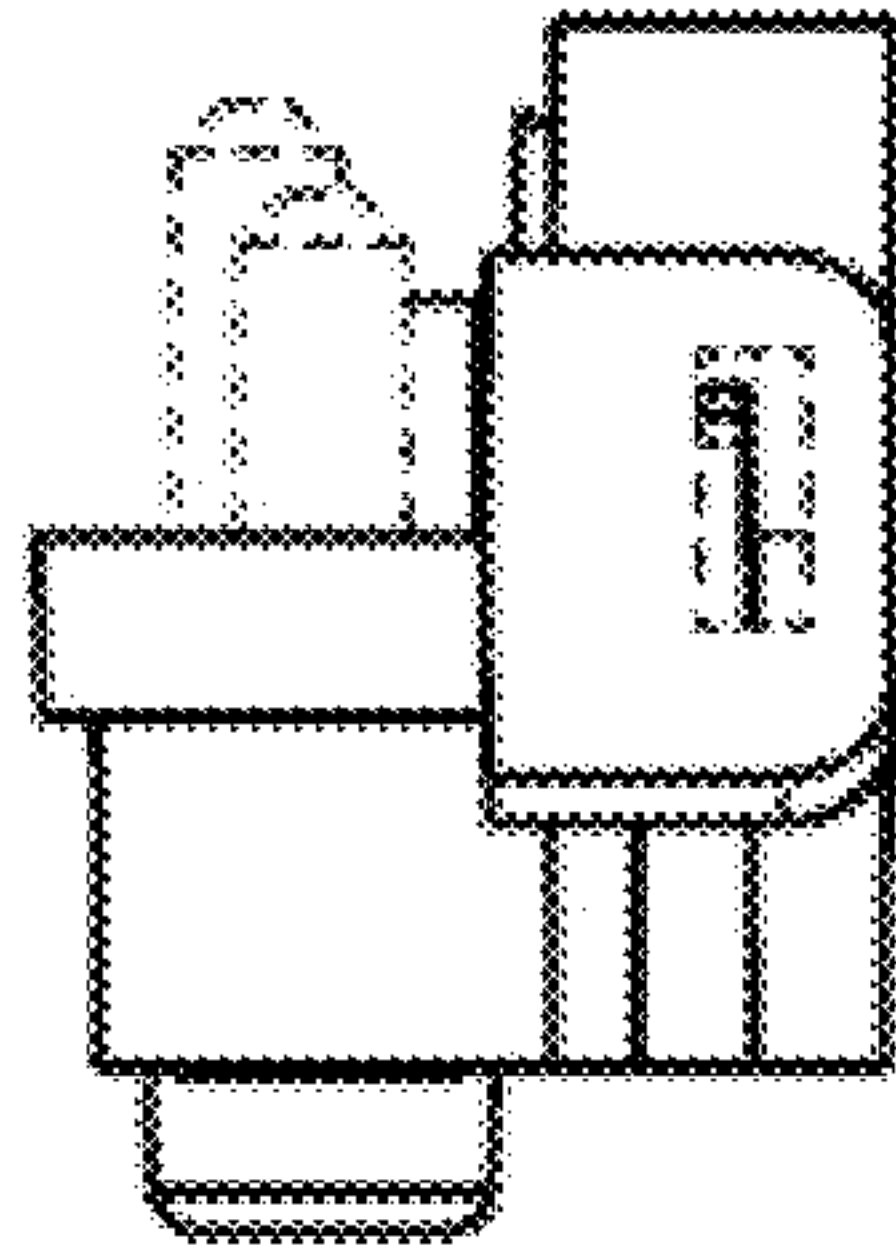


FIG. 5

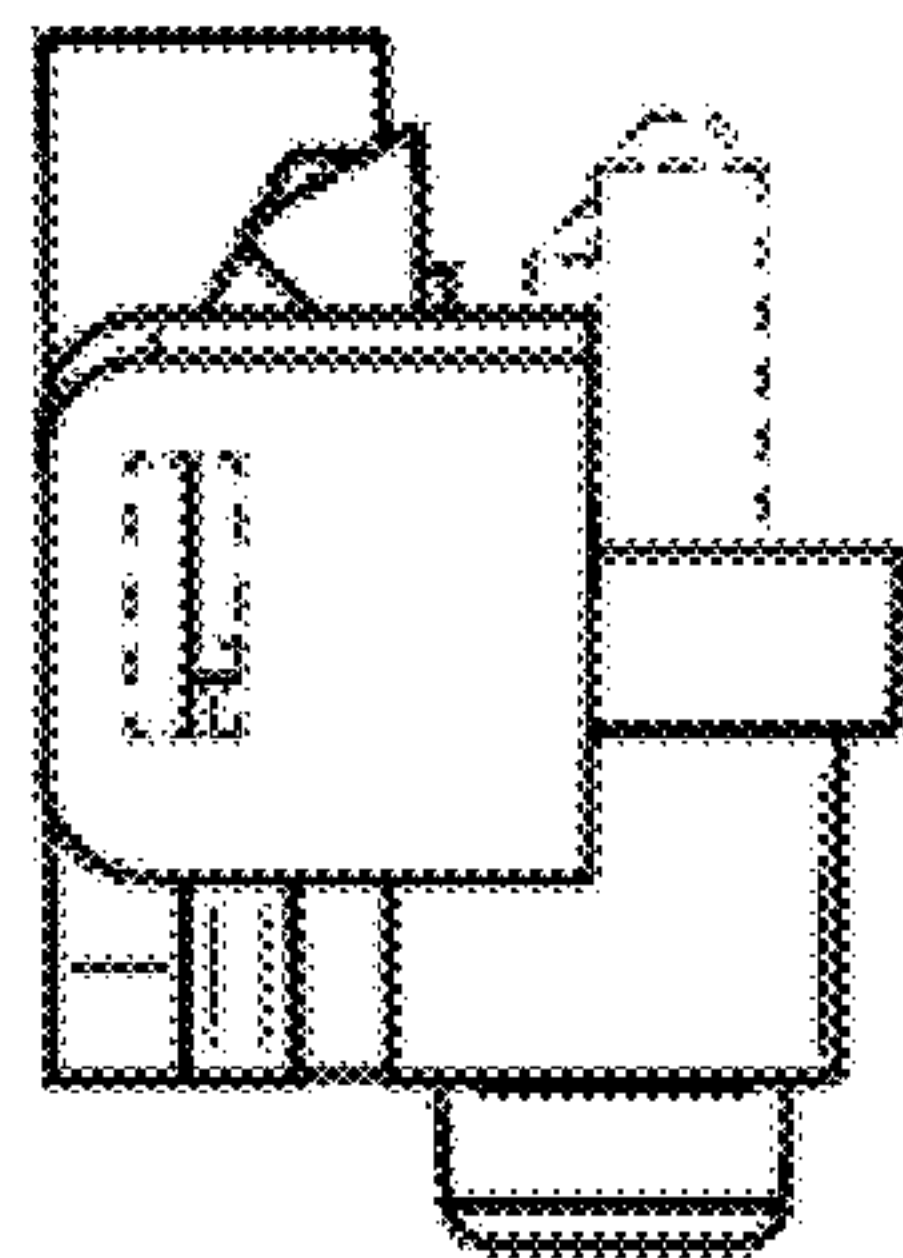


FIG. 6

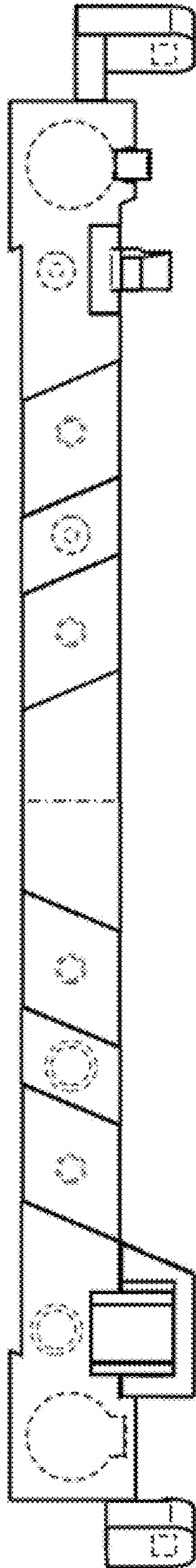


FIG. 7



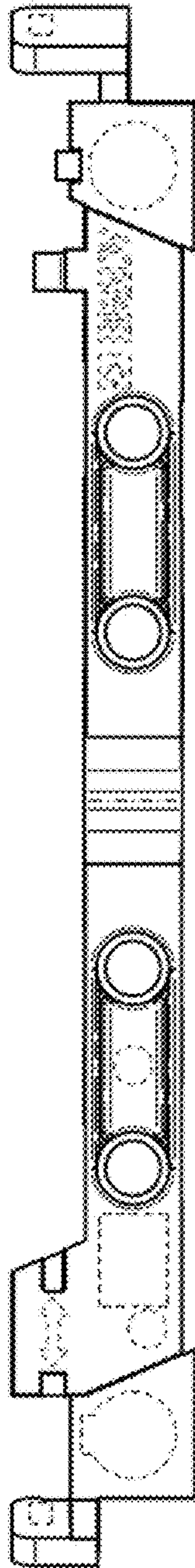


FIG. 8