



US00D798245S

(12) **United States Design Patent** (10) **Patent No.:** **US D798,245 S**  
**Lecoanet et al.** (45) **Date of Patent:** **\*\* Sep. 26, 2017**

(54) **ELECTRICAL CIRCUIT BREAKER**

(71) Applicant: **SCHNEIDER ELECTRIC INDUSTRIES SAS**, Rueil-Malmaison (FR)

(72) Inventors: **Benoît Lecoanet**, Grenoble (FR); **Guillaume Reiner**, Grenoble (FR)

(73) Assignee: **SCHNEIDER ELECTRIC INDUSTRIES SAS**, Rueil-Malmaison (FR)

(\*\*) Term: **15 Years**

(21) Appl. No.: **29/505,576**

(22) Filed: **Dec. 23, 2015**

(30) **Foreign Application Priority Data**

Jun. 23, 2015 (WO) ..... 902261001

(51) **LOC (10) Cl.** ..... **13-03**

(52) **U.S. Cl.**  
USPC ..... **D13/160**

(58) **Field of Classification Search**  
USPC .... D13/110, 123, 133, 137.3, 158-162, 173, D13/184, 199  
CPC .. H01H 3/22; H01H 9/02; H01H 9/54; H01H 11/00; H01H 21/04; H01H 27/10; H01H 33/38; H01H 71/00; H01H 71/02; H01H 71/04; H01H 71/08; H01H 71/12; H01H 71/24; H01F 17/04; H01R 25/00; H01R 4/36

See application file for complete search history.

(56) **References Cited**

**U.S. PATENT DOCUMENTS**

D300,315 S \* 3/1989 Thomas ..... D13/160  
5,493,083 A \* 2/1996 Olivier ..... H01H 71/56  
200/17 R

D498,464 S \* 11/2004 Kim ..... D13/160  
D590,351 S \* 4/2009 Lifran ..... D13/160  
2016/0247652 A1\* 8/2016 Devine ..... H01H 71/128

\* cited by examiner

*Primary Examiner* — Daniel Bui

*Assistant Examiner* — Andrew Kerr

(74) *Attorney, Agent, or Firm* — Stephen J. Weyer, Esq.; Stites & Harbison, PLLC

(57) **CLAIM**

The ornamental design for an electrical circuit breaker, as shown and described.

**DESCRIPTION**

FIG. 1 is a front, top and right side perspective view of an electrical circuit breaker showing our new design.

FIG. 2 is a front elevation view of the electrical circuit breaker of FIG. 1.

FIG. 3 is a rear elevation view of the electrical circuit breaker of FIG. 1.

FIG. 4 is a top plan view of the electrical circuit breaker of FIG. 1.

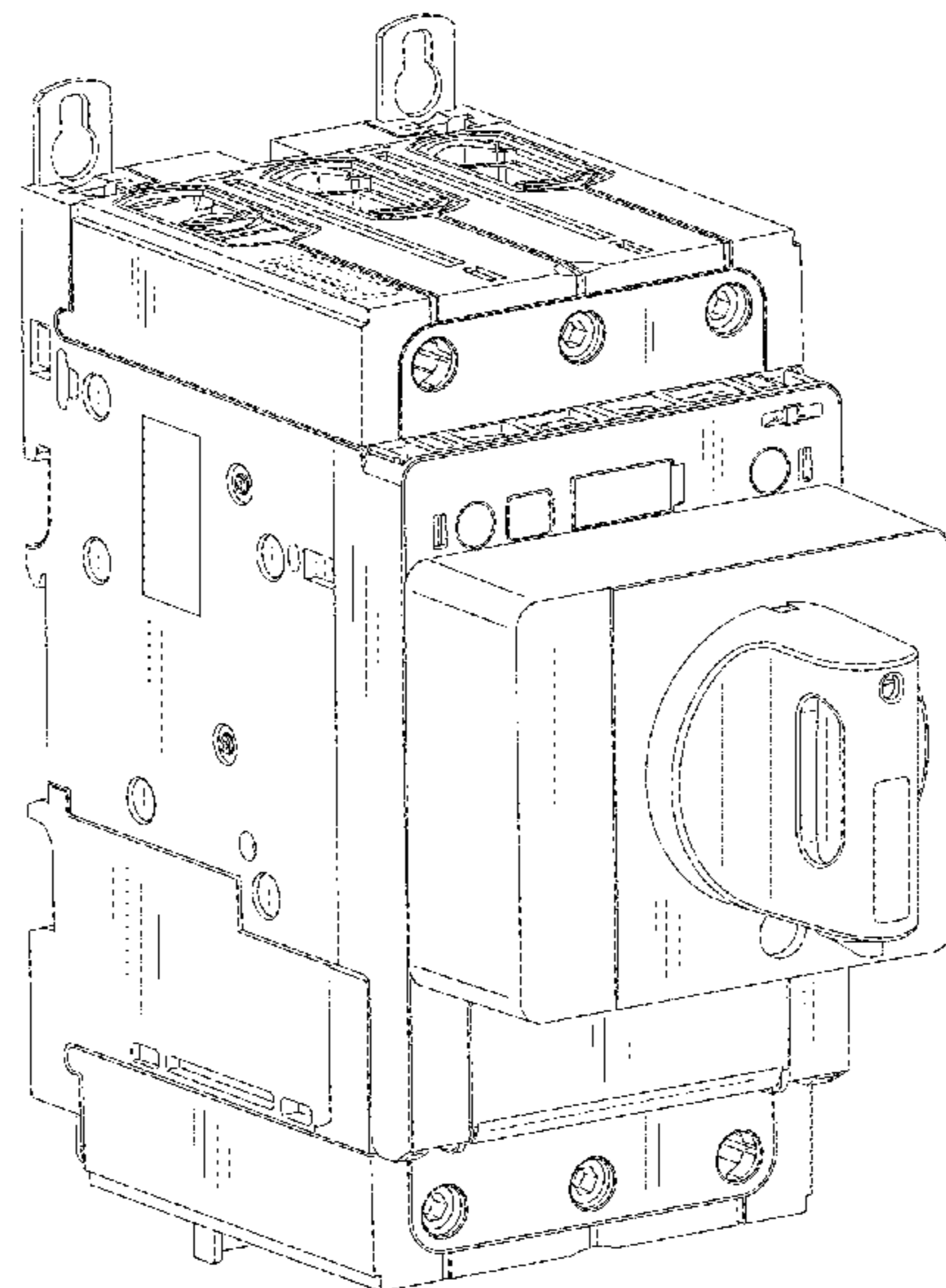
FIG. 5 is a bottom plan view of the electrical circuit breaker of FIG. 1.

FIG. 6 is a right elevation view of the electrical circuit breaker of FIG. 1; and,

FIG. 7 is a left elevation view of the electrical circuit breaker of in FIG. 1.

The broken lines in the drawing views are included for the purpose of illustrating unclaimed environment only, and forms no part of the claimed design.

**1 Claim, 7 Drawing Sheets**



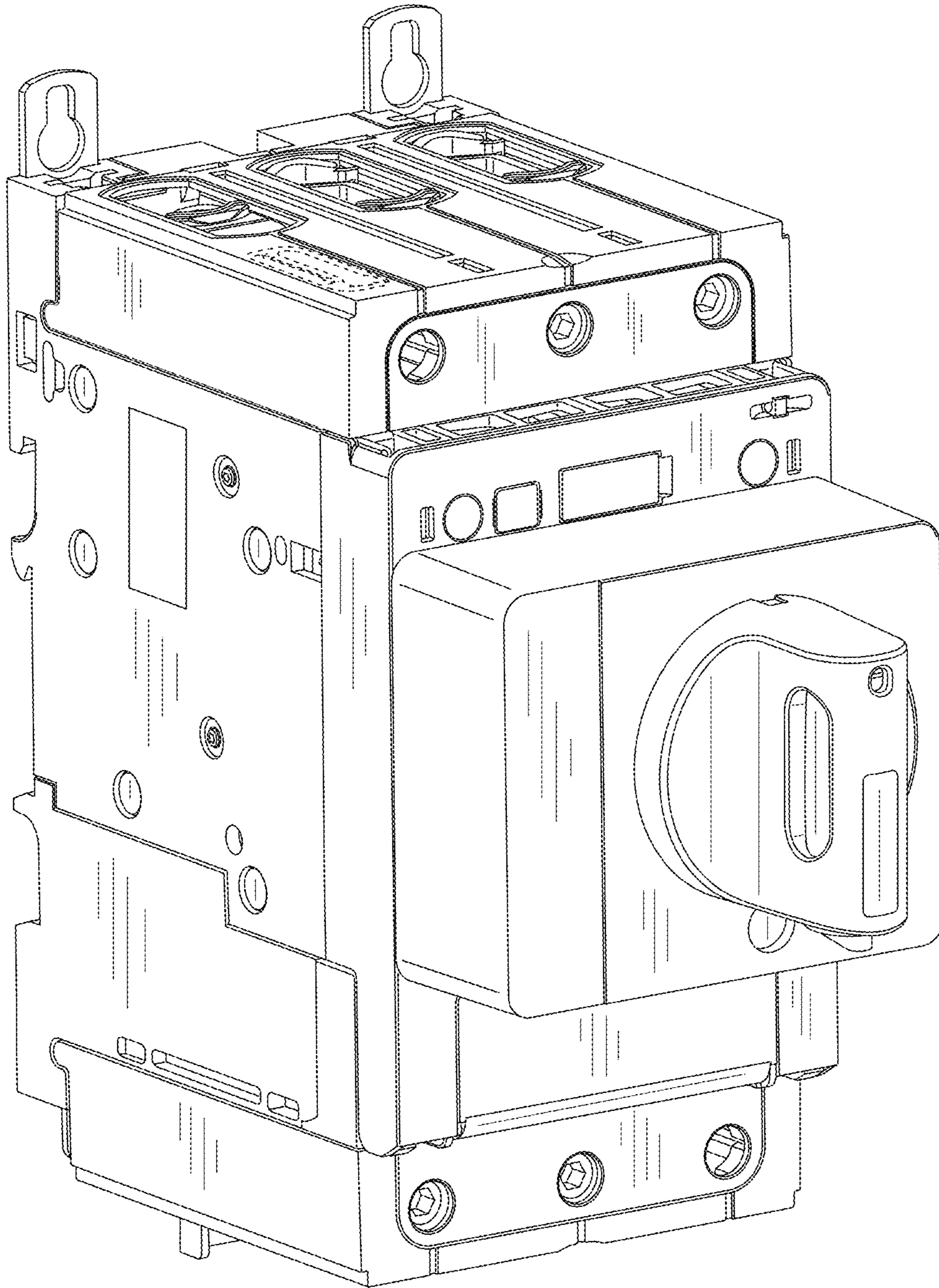


FIG. 1

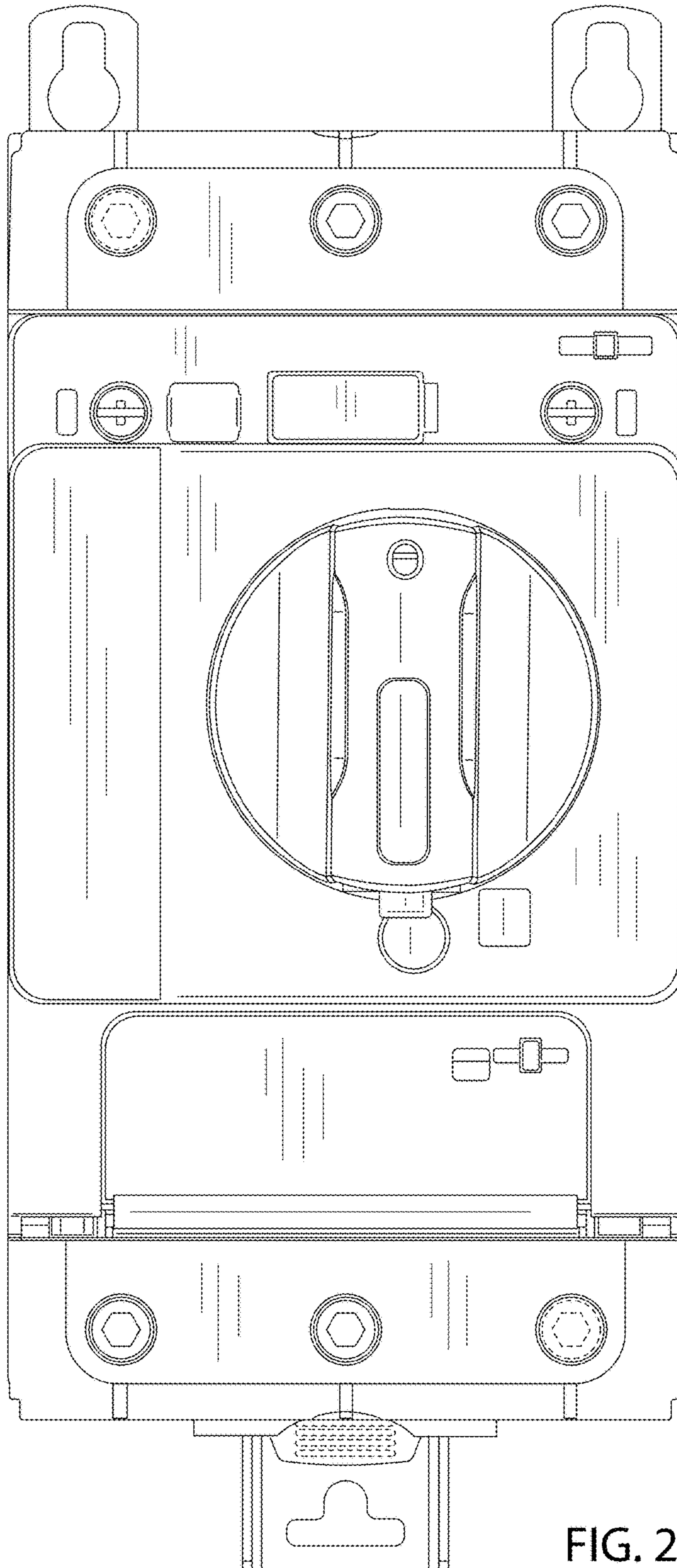


FIG. 2

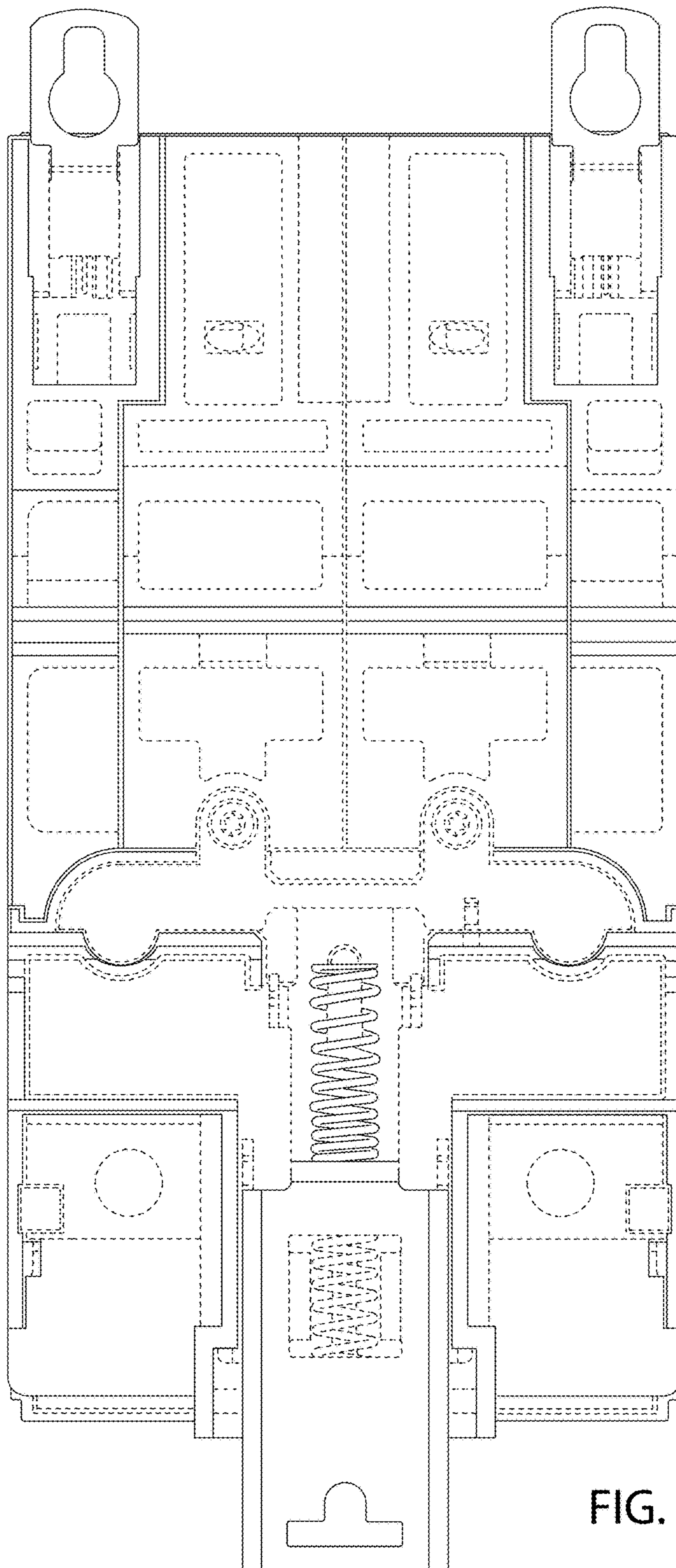


FIG. 3

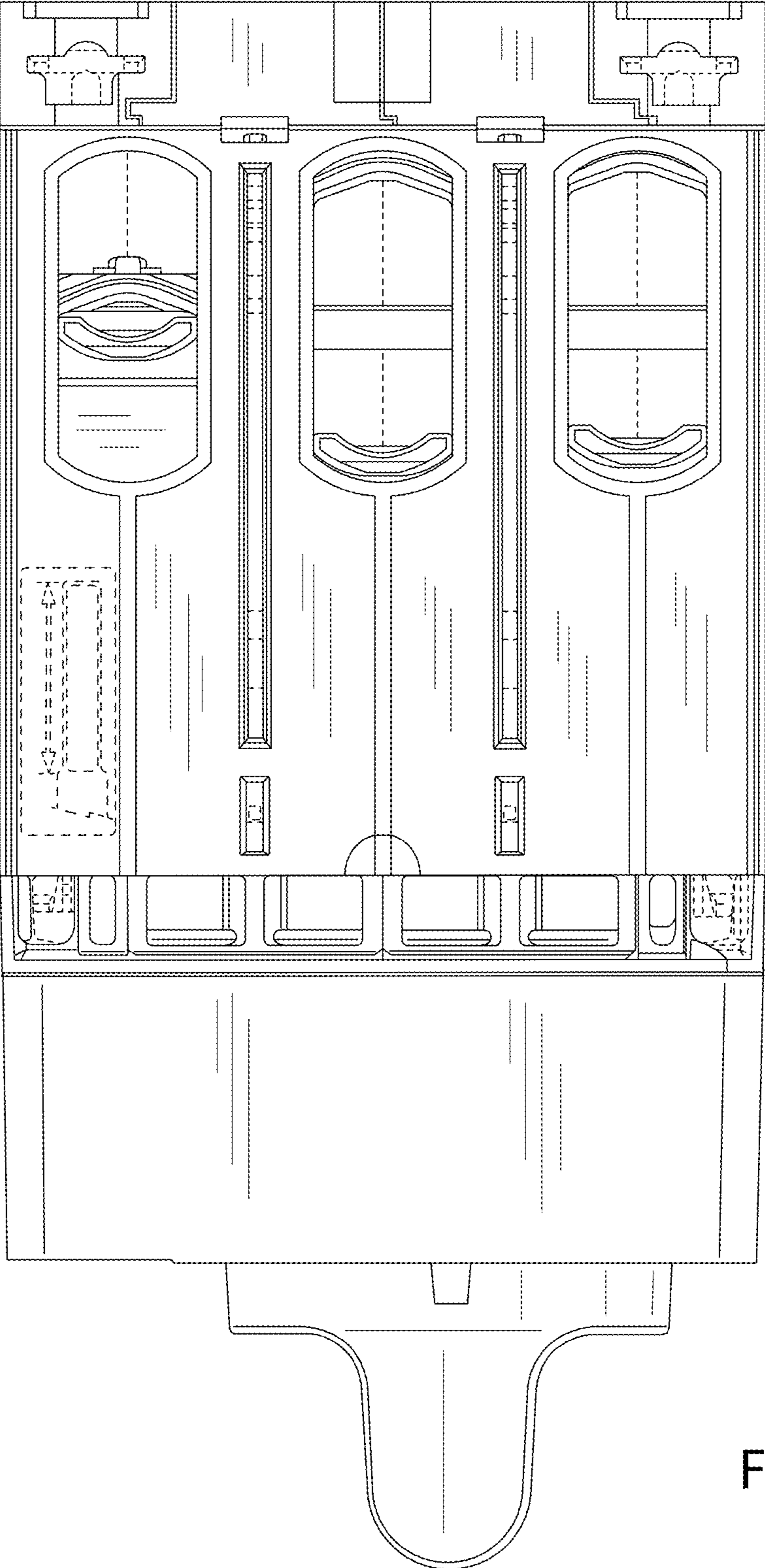


FIG. 4

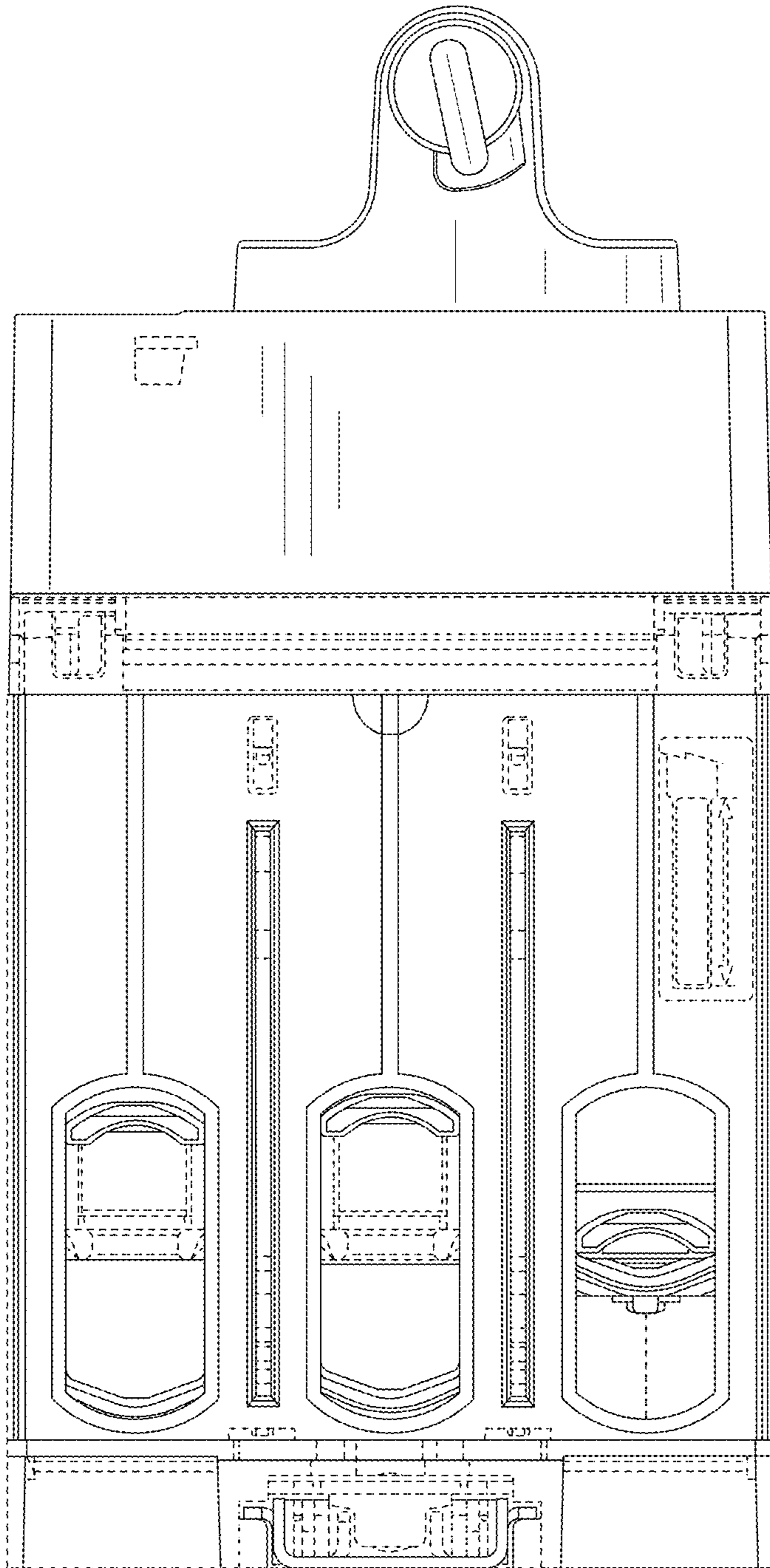


FIG. 5

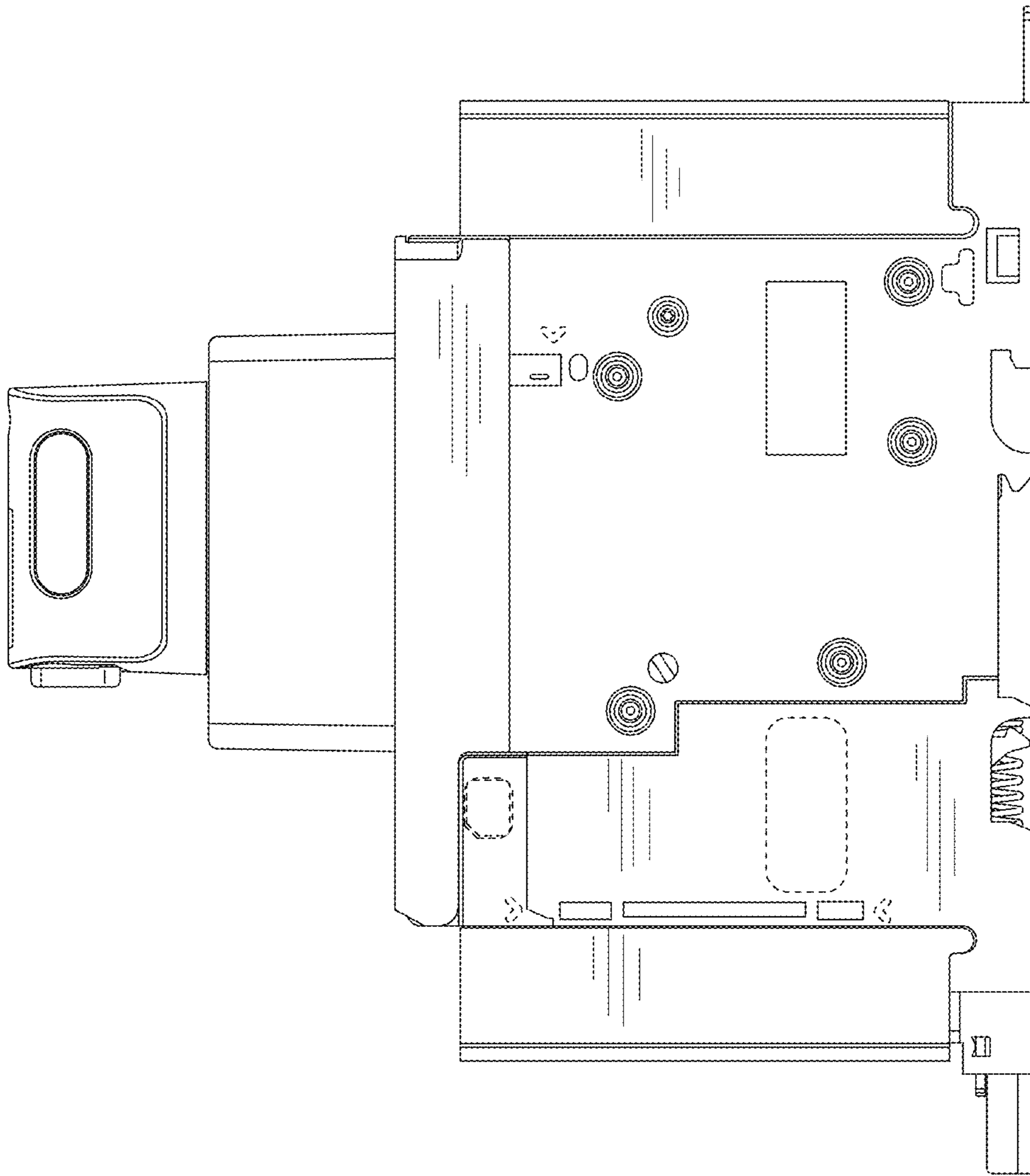


FIG. 6

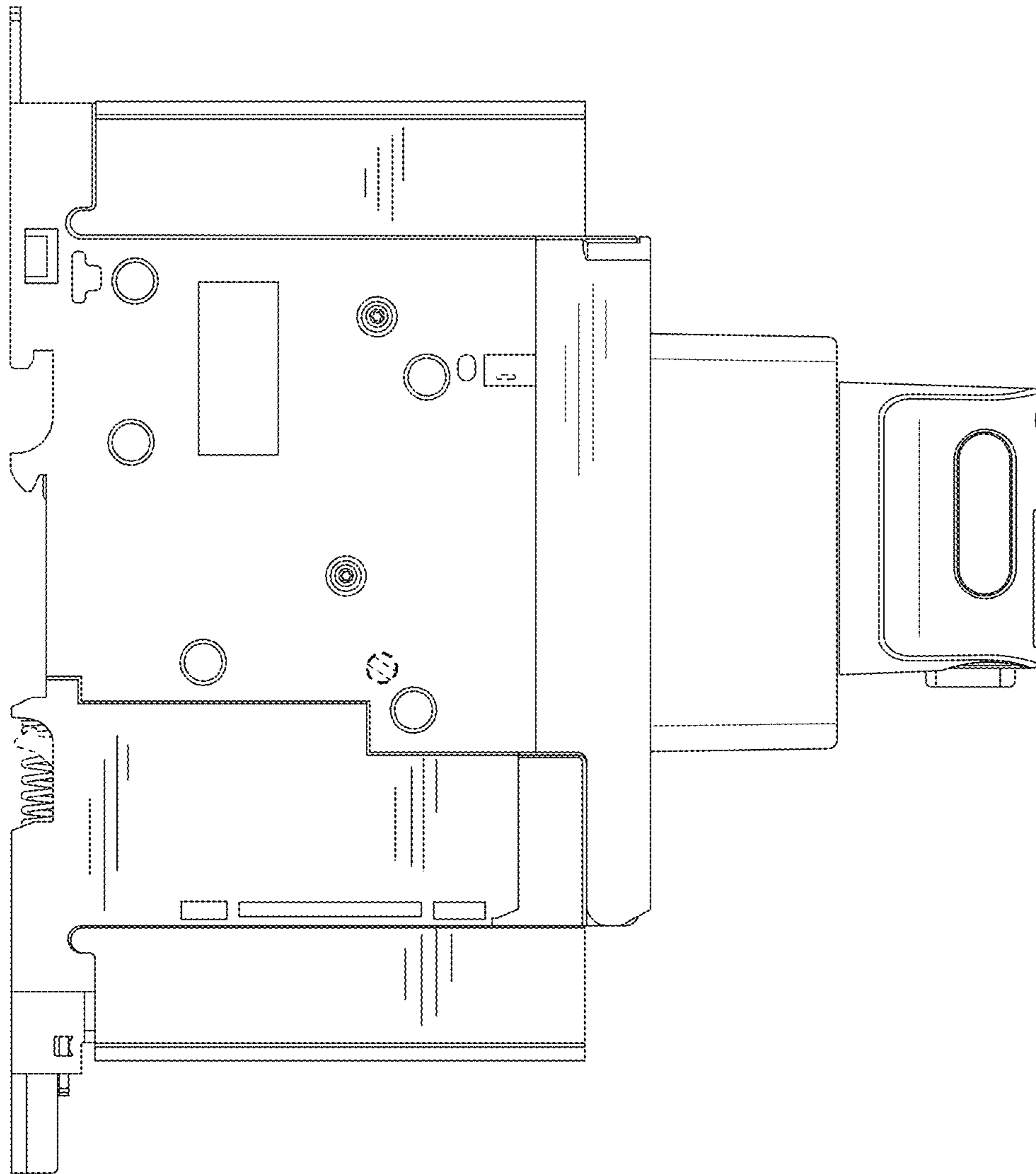


FIG. 7