

US00D798243S

(12) **United States Design Patent Grant** (10) **Patent No.: US D798,243 S**  
(45) **Date of Patent: \*\* Sep. 26, 2017**

(54) **DIN RAIL FOR CARRYING WIRING AND CONTROL PRODUCTS**

D399,725 S \* 10/1998 Baker ..... D8/354  
D404,010 S \* 1/1999 Viklund ..... D13/155  
5,904,592 A \* 5/1999 Baran ..... H02B 1/052  
361/627

(71) Applicant: **QuinTron Instrument Company, Inc.**,  
Milwaukee, WI (US)

(Continued)

(72) Inventor: **Gregory M. Grant**, Brookfield, WI  
(US)

**FOREIGN PATENT DOCUMENTS**

CN 301942344 \* 5/2012

(\*\*) Term: **15 Years**

**OTHER PUBLICATIONS**

(21) Appl. No.: **29/554,416**

[http://www.altechcorp.com/HTML/DIN\\_Rail.html](http://www.altechcorp.com/HTML/DIN_Rail.html) Available Feb. 6, 2015.\*

(22) Filed: **Feb. 11, 2016**

(Continued)

(51) **LOC (10) Cl.** ..... **13-03**

(52) **U.S. Cl.**  
USPC ..... **D13/156**

(58) **Field of Classification Search**  
USPC ..... D8/354, 363, 382, 400, 349, 380, 381;  
D24/185, 186, 227, 231, 234; D25/38.1,  
D25/43, 44, 60, 61, 119, 121, 122, 126,  
D25/136, 164; D13/123, 133, 153, 154,  
D13/155, 184  
CPC .... H01R 9/2608; H01R 9/2691; H02B 1/052;  
H02B 1/0523; H05K 7/12; H05K 7/14;  
H05K 5/0204

See application file for complete search history.

*Primary Examiner* — Susan Bennett Hattan  
*Assistant Examiner* — Leanne Was-Englehart  
(74) *Attorney, Agent, or Firm* — Ryan Kromholz &  
Manion, S.C.

(57) **CLAIM**

The ornamental design for a DIN rail for carrying wiring and control products, as shown and described.

**DESCRIPTION**

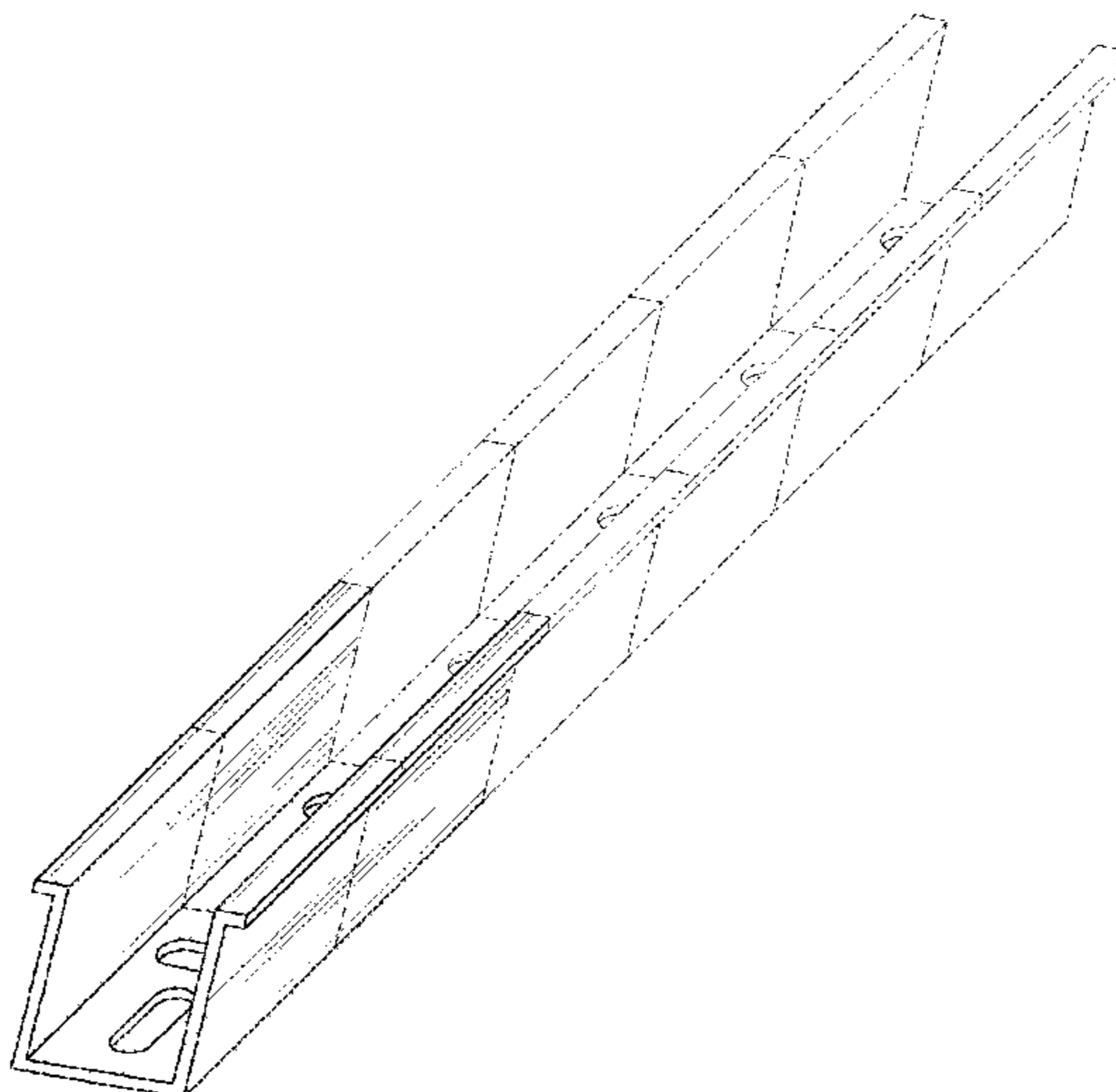
FIG. 1 is a perspective view of the DIN rail for carrying wiring and control products;  
FIG. 2 is a front elevation view thereof;  
FIG. 3 is a rear elevation view thereof;  
FIG. 4 is a left side elevation view thereof;  
FIG. 5 is a right side elevation view thereof;  
FIG. 6 is a top plan view thereof; and,  
FIG. 7 is a bottom plan view thereof.  
Double-dashed broken lines illustrate portions of the DIN rail for carrying wiring and control products that form no part of the claimed design, while a single-dashed broken line illustrates a perforation line in the DIN rail for carrying wiring and control products.

(56) **References Cited**

**U.S. PATENT DOCUMENTS**

3,819,988 A \* 6/1974 Pollmann ..... H02B 1/202  
361/826  
D291,277 S \* 8/1987 Hawkins ..... D12/317  
5,029,789 A \* 7/1991 Nourry ..... H02B 1/052  
248/224.61  
D322,596 S \* 12/1991 Henneberger ..... D13/155  
5,192,227 A \* 3/1993 Bales ..... H01R 9/2608  
439/532  
D353,364 S \* 12/1994 Marach ..... D13/147  
D353,365 S \* 12/1994 Marach ..... D13/147  
D380,736 S \* 7/1997 Theis ..... D13/155  
5,810,618 A \* 9/1998 Barbier ..... H02B 1/052  
439/532

**1 Claim, 3 Drawing Sheets**



(56)

References Cited

U.S. PATENT DOCUMENTS

6,017,251 A \* 1/2000 Rittmann ..... H01R 9/2608  
 439/716  
 6,431,909 B1 \* 8/2002 Nolden ..... H01R 9/2608  
 361/735  
 D551,774 S \* 9/2007 McGinness ..... D25/135  
 D582,351 S \* 12/2008 Gya ..... D13/155  
 D611,887 S \* 3/2010 Peschmann ..... D12/223  
 7,758,368 B2 \* 7/2010 Schelonka ..... H01R 9/2608  
 439/325  
 D649,687 S \* 11/2011 Trzesniowski ..... D26/138  
 D669,855 S \* 10/2012 Correll ..... D13/123  
 D733,664 S \* 7/2015 Baldwin ..... D13/155  
 D748,064 S \* 1/2016 Baldwin ..... D13/155  
 9,276,333 B1 \* 3/2016 Wu ..... H01R 9/2608  
 9,331,404 B2 \* 5/2016 Devanand ..... H01R 9/2608  
 9,386,718 B2 \* 7/2016 Kusumi ..... H05K 7/14  
 D765,009 S \* 8/2016 Conrad ..... D12/317  
 D765,603 S \* 9/2016 Baldwin ..... D13/155  
 D765,604 S \* 9/2016 Baldwin ..... D13/155  
 D771,276 S \* 11/2016 Walker ..... D25/119

D775,374 S \* 12/2016 Walker ..... D25/126  
 D782,698 S \* 3/2017 Bizzarri ..... D25/121  
 2010/0128448 A1 \* 5/2010 WenLong ..... H02B 1/052  
 361/747  
 2010/0255713 A1 \* 10/2010 Peng ..... H02B 1/052  
 439/532  
 2013/0260605 A1 \* 10/2013 Kawabata ..... H01R 9/2608  
 439/532  
 2013/0316552 A1 \* 11/2013 Sasano ..... H01R 9/2608  
 439/122  
 2013/0322044 A1 \* 12/2013 Kusumi ..... H02B 1/0523  
 361/807  
 2014/0199864 A1 \* 7/2014 Devanand ..... H01R 9/2608  
 439/116  
 2015/0076298 A1 \* 3/2015 Peter ..... H02B 1/052  
 248/205.1

OTHER PUBLICATIONS

<http://uk.farnell.com/wago/210-114/din-rail-unslotted-2m-steel/dp/805592> Available Nov. 8, 2014.\*

\* cited by examiner

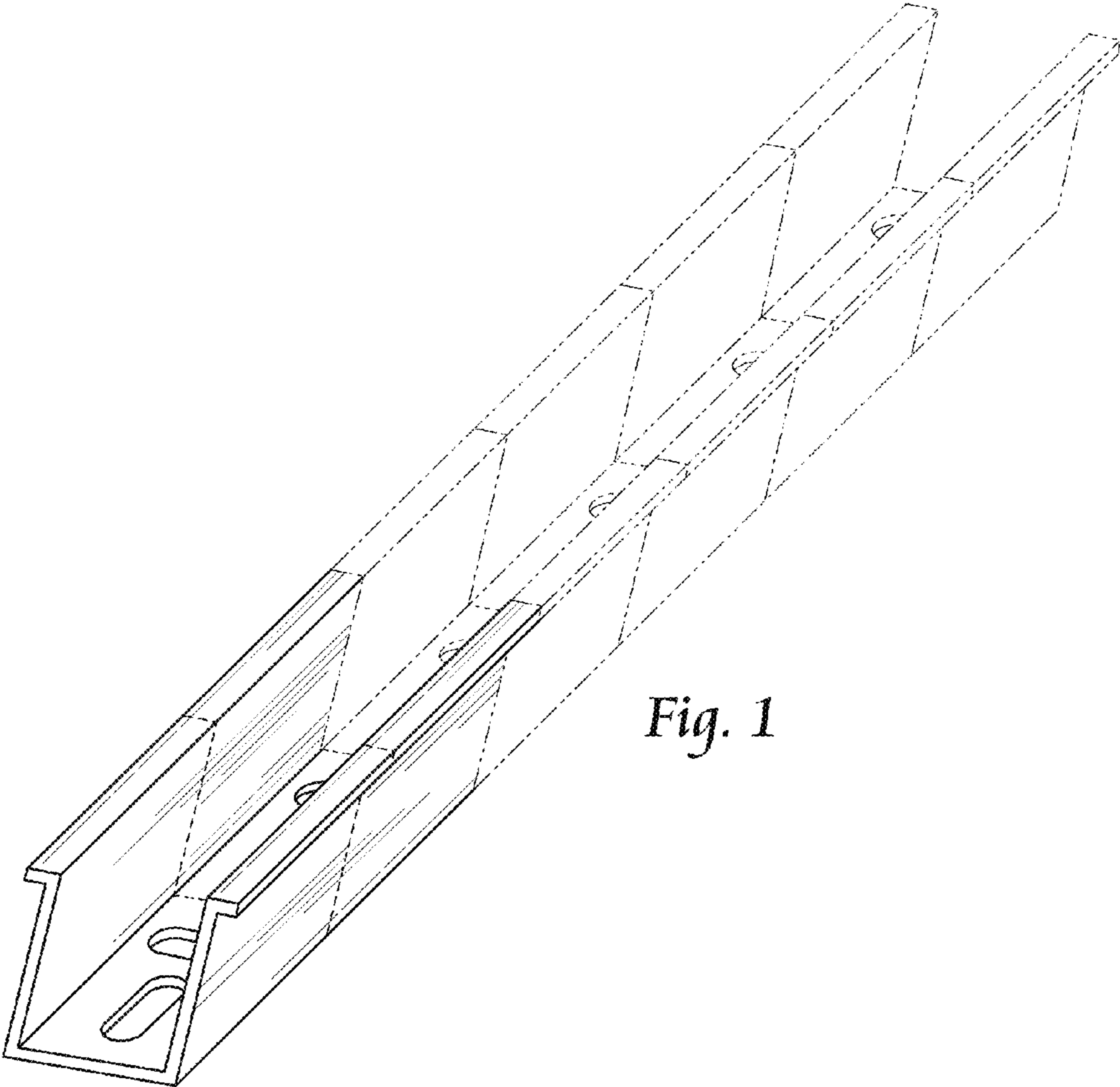


Fig. 1

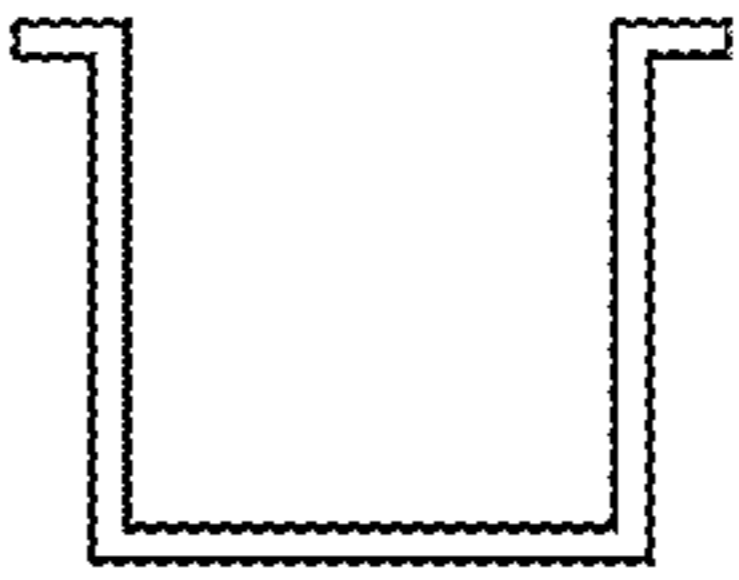


Fig. 2

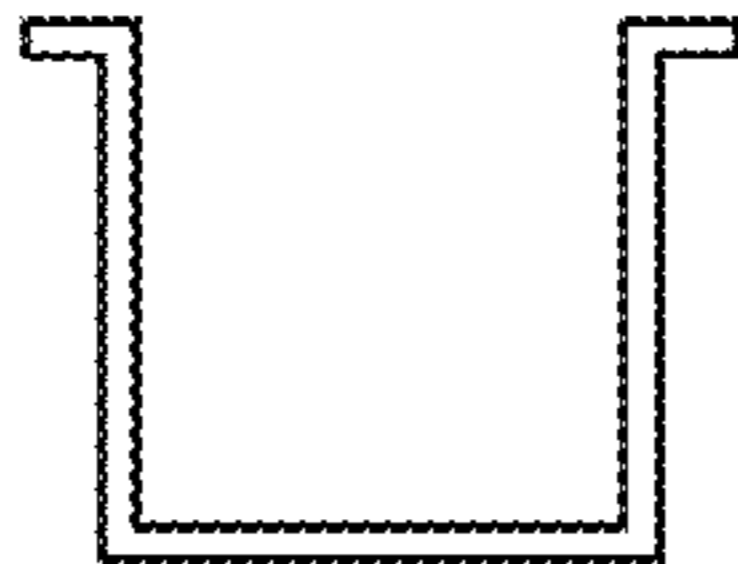


Fig. 3

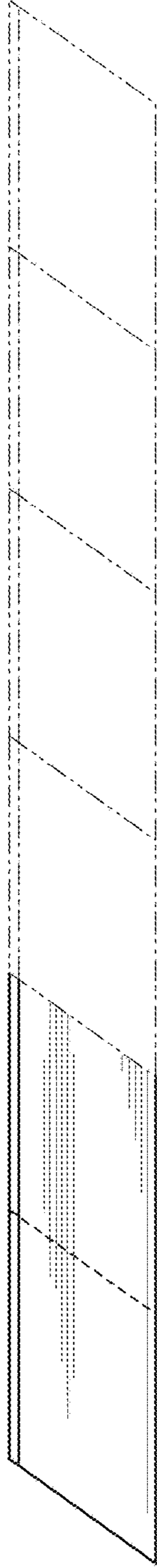


Fig. 4

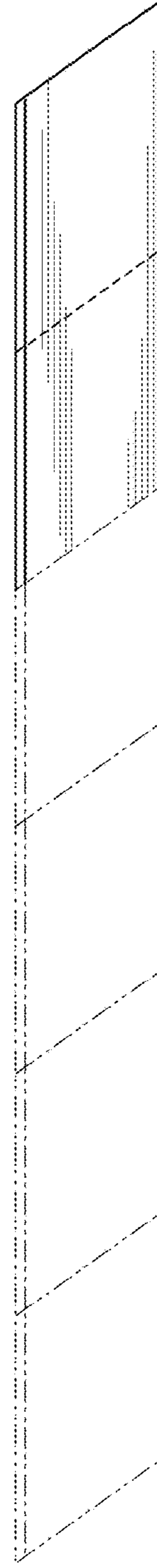
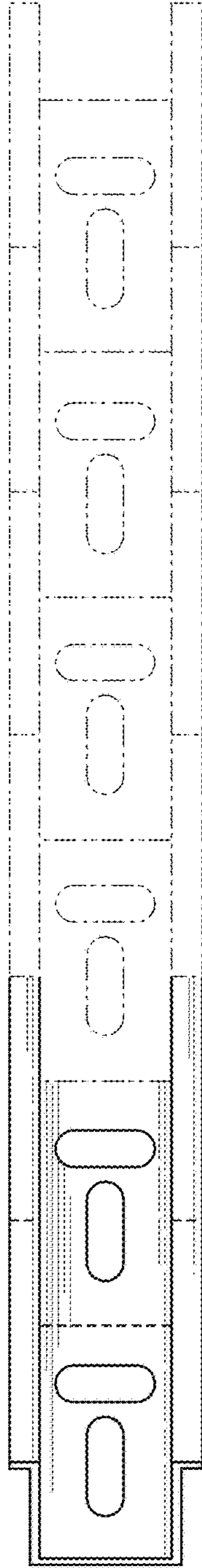
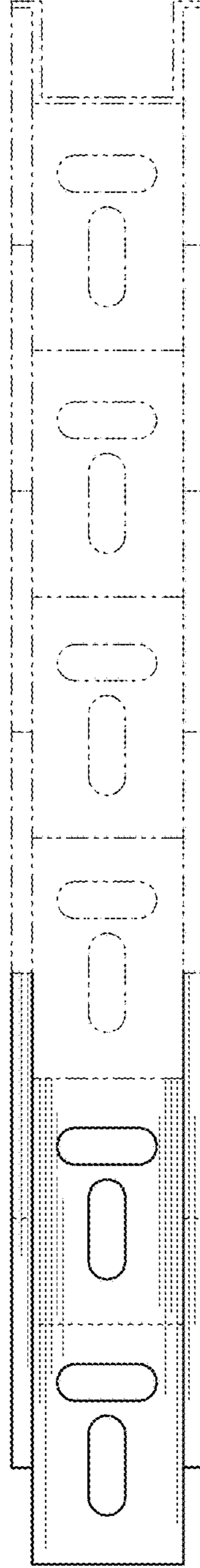


Fig. 5



*Fig. 6*



*Fig. 7*