



US00D798240S

(12) **United States Design Patent**
Mikawa

(10) **Patent No.:** **US D798,240 S**

(45) **Date of Patent:** **** Sep. 26, 2017**

(54) **CARD CONNECTOR**

(71) Applicant: **JAPAN AVIATION ELECTRONICS INDUSTRY, LIMITED**, Tokyo (JP)

(72) Inventor: **Kazuya Mikawa**, Tokyo (JP)

(73) Assignee: **Japan Aviation Electronics Industry, Limited**, Tokyo (JP)

(**) Term: **15 Years**

(21) Appl. No.: **29/584,610**

(22) Filed: **Nov. 16, 2016**

(30) **Foreign Application Priority Data**

Jun. 1, 2016 (JP) 2016-011755

(51) **LOC (10) Cl.** **13-03**

(52) **U.S. Cl.**
USPC **D13/147**

(58) **Field of Classification Search**
USPC D13/133, 146, 147, 154, 184, 199
CPC H01R 12/7076; H01R 24/00; H01R 13/24;
H01R 13/42; H01R 13/62; G06K 7/00;
G06K 7/0021
See application file for complete search history.

(56) **References Cited**

U.S. PATENT DOCUMENTS

D544,842 S * 6/2007 Nishio D13/147
D589,452 S * 3/2009 Liao D13/147

D644,997 S * 9/2011 Su D13/147
D648,681 S * 11/2011 Huang D13/147
D648,682 S * 11/2011 Huang D13/147
D742,832 S 11/2015 Mikawa

* cited by examiner

Primary Examiner — Daniel Bui

(74) *Attorney, Agent, or Firm* — Cermak Nakajima & McGowan LLP; Tomoko Nakajima

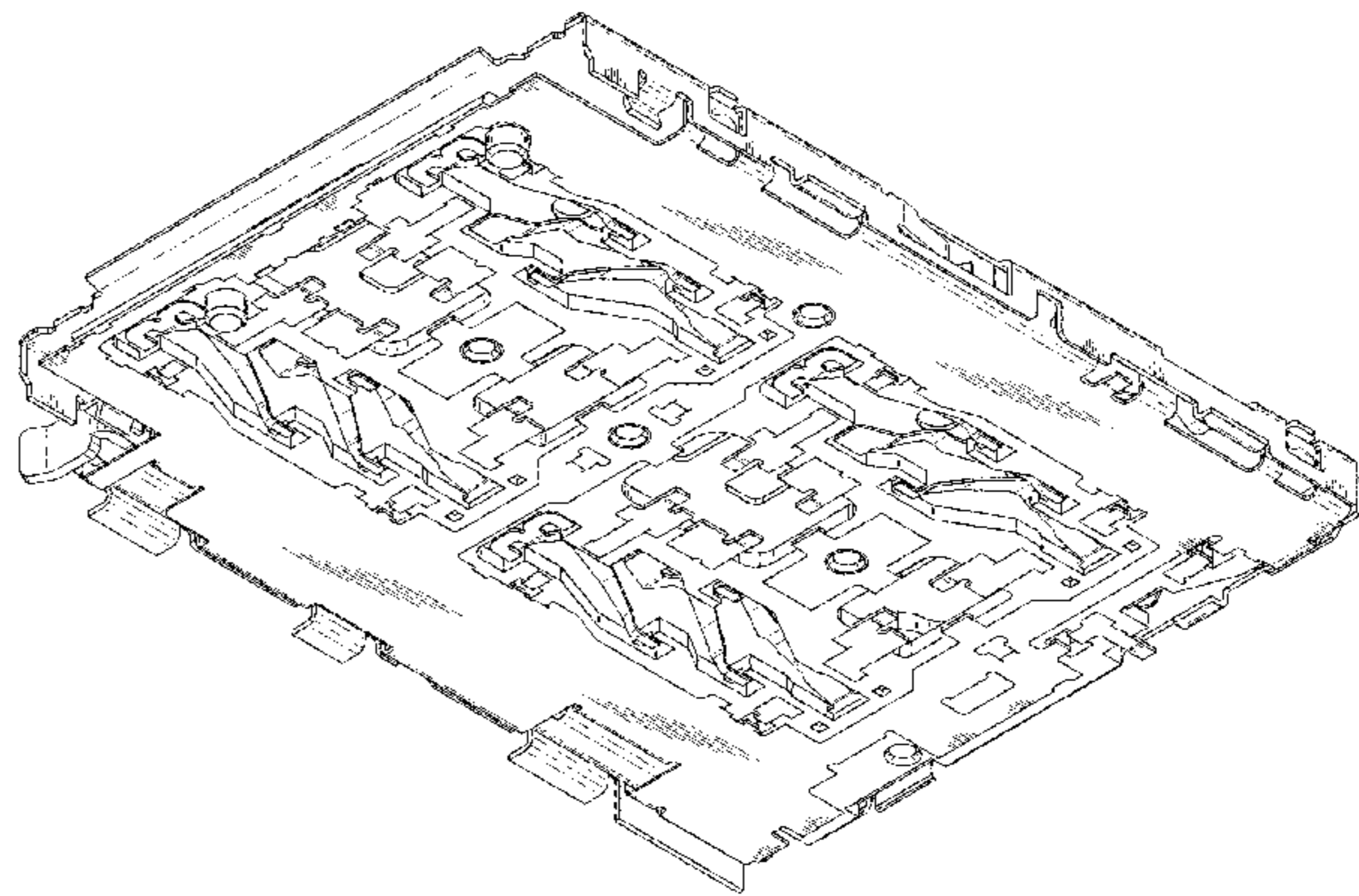
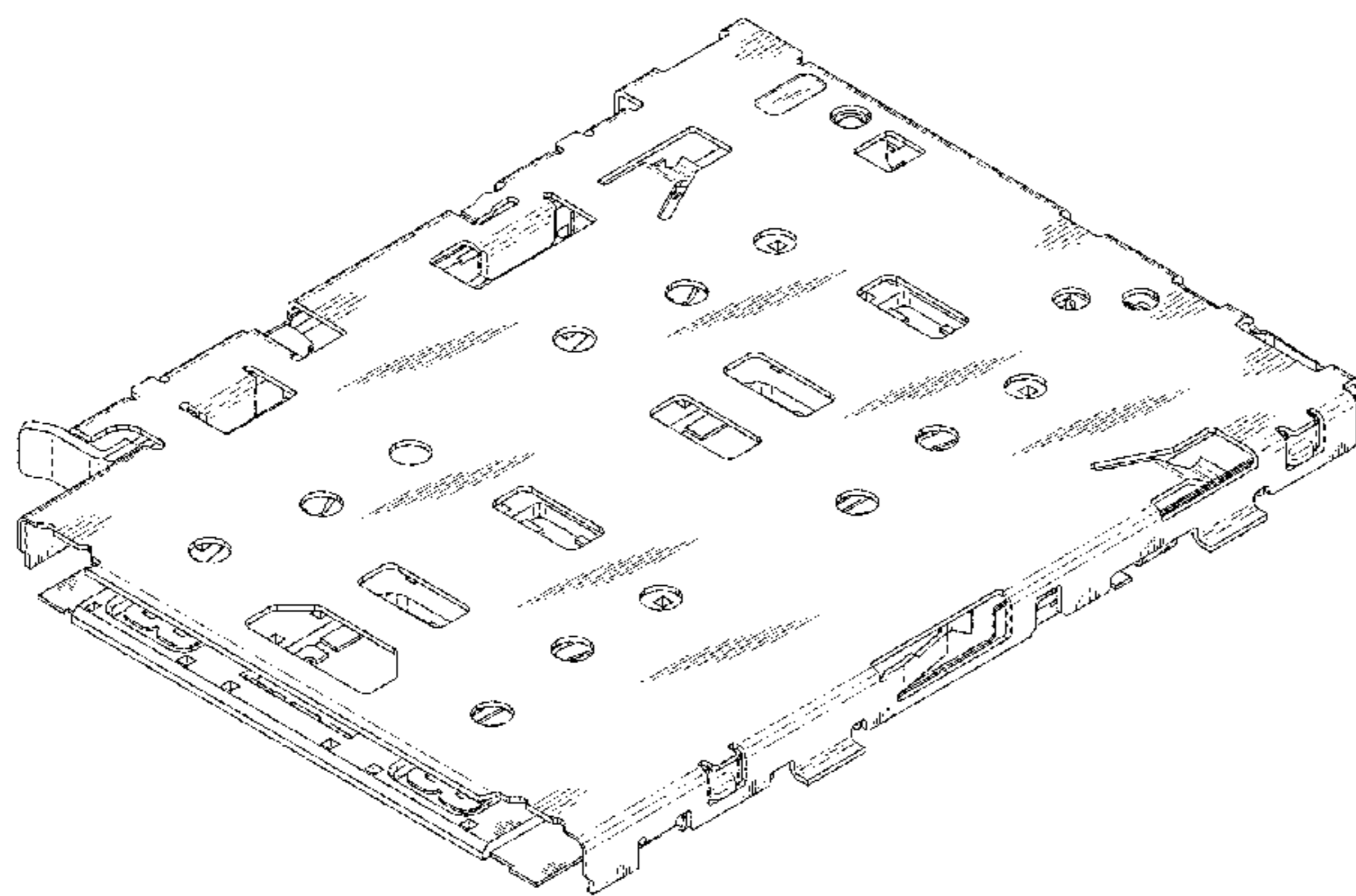
(57) **CLAIM**

The ornamental design for a card connector, as shown.

DESCRIPTION

FIG. 1 is a front elevational view of a card connector showing my new design;
FIG. 2 is a top plan view thereof;
FIG. 3 is a right side elevational view thereof;
FIG. 4 is a left side elevational view thereof;
FIG. 5 is a rear elevational view thereof; and
FIG. 6 is a bottom plan view thereof.
FIG. 7 is a front and top perspective view thereof;
FIG. 8 is a rear and top perspective view thereof;
FIG. 9 is a front and bottom perspective view thereof; and,
FIG. 10 is a rear and bottom perspective view thereof.

1 Claim, 10 Drawing Sheets



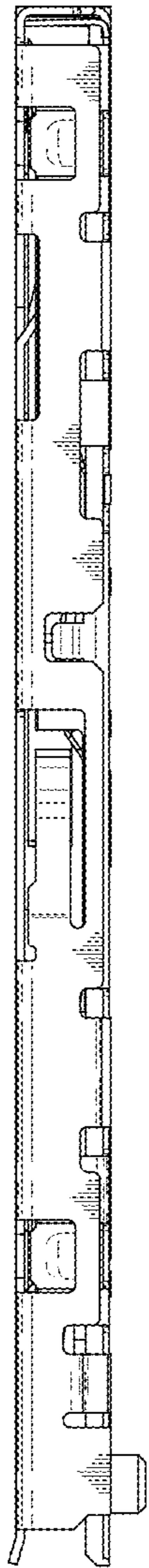


FIG.1

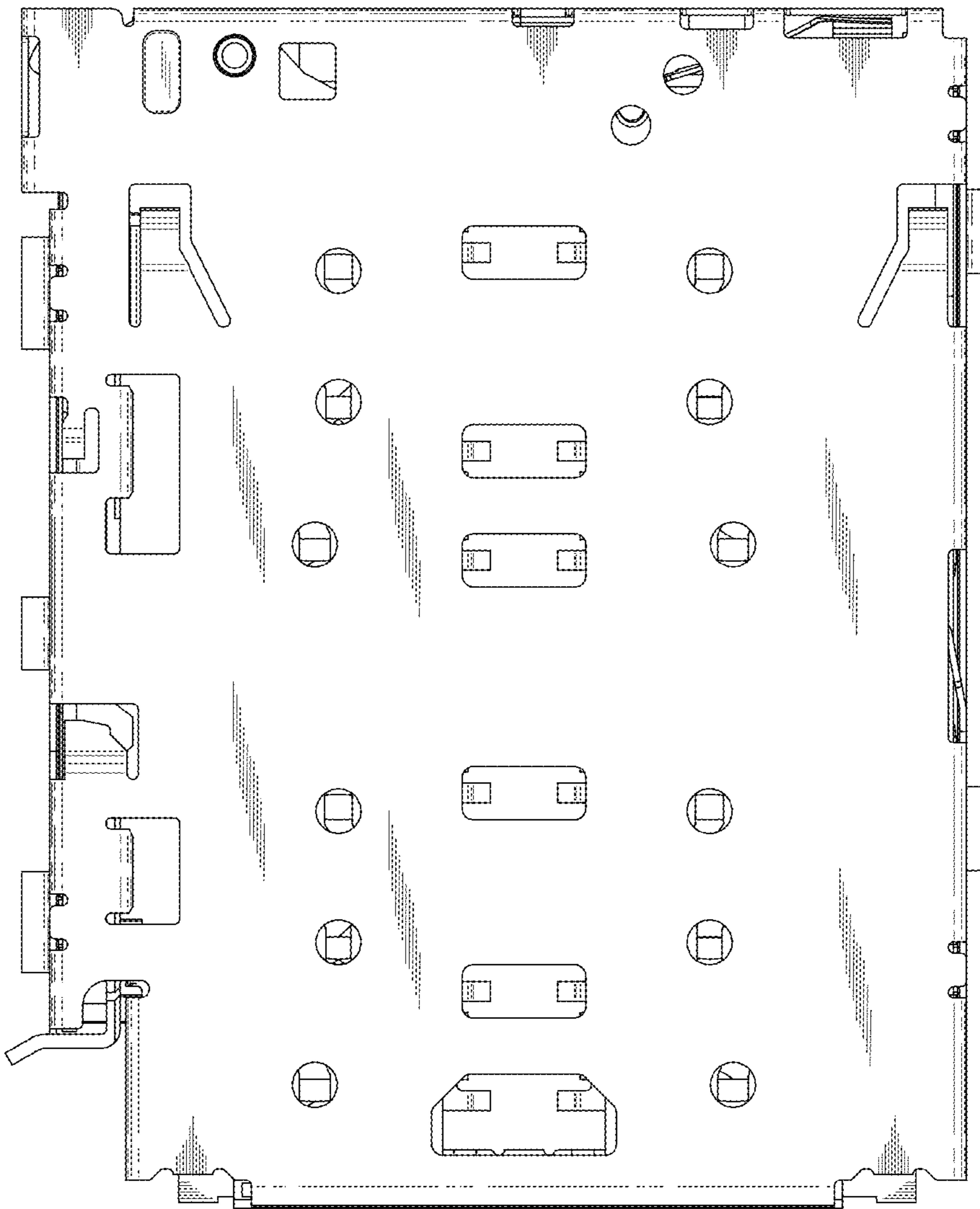


FIG.2

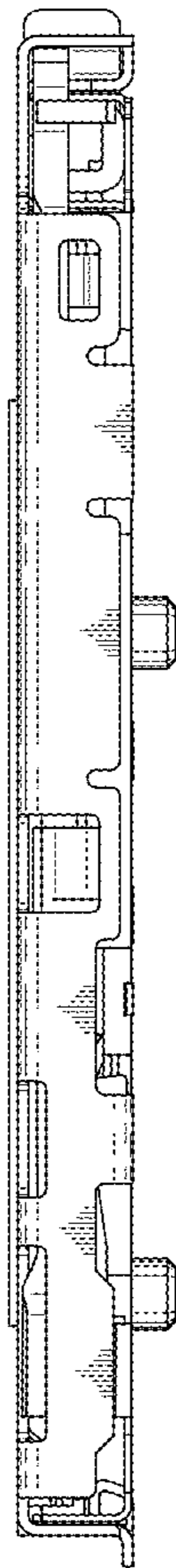


FIG.3

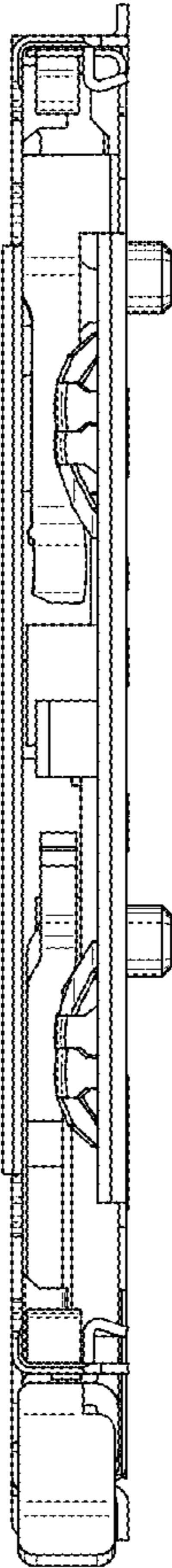


FIG.4

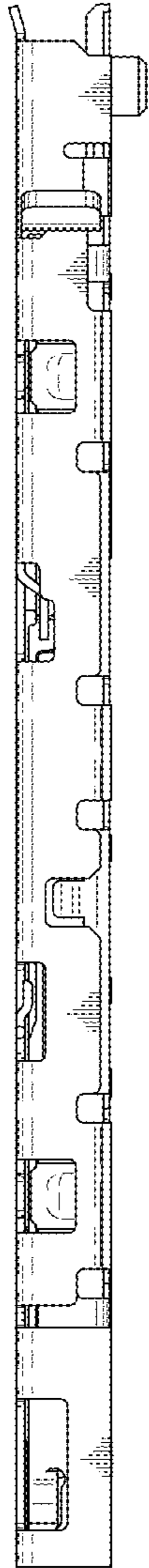


FIG.5

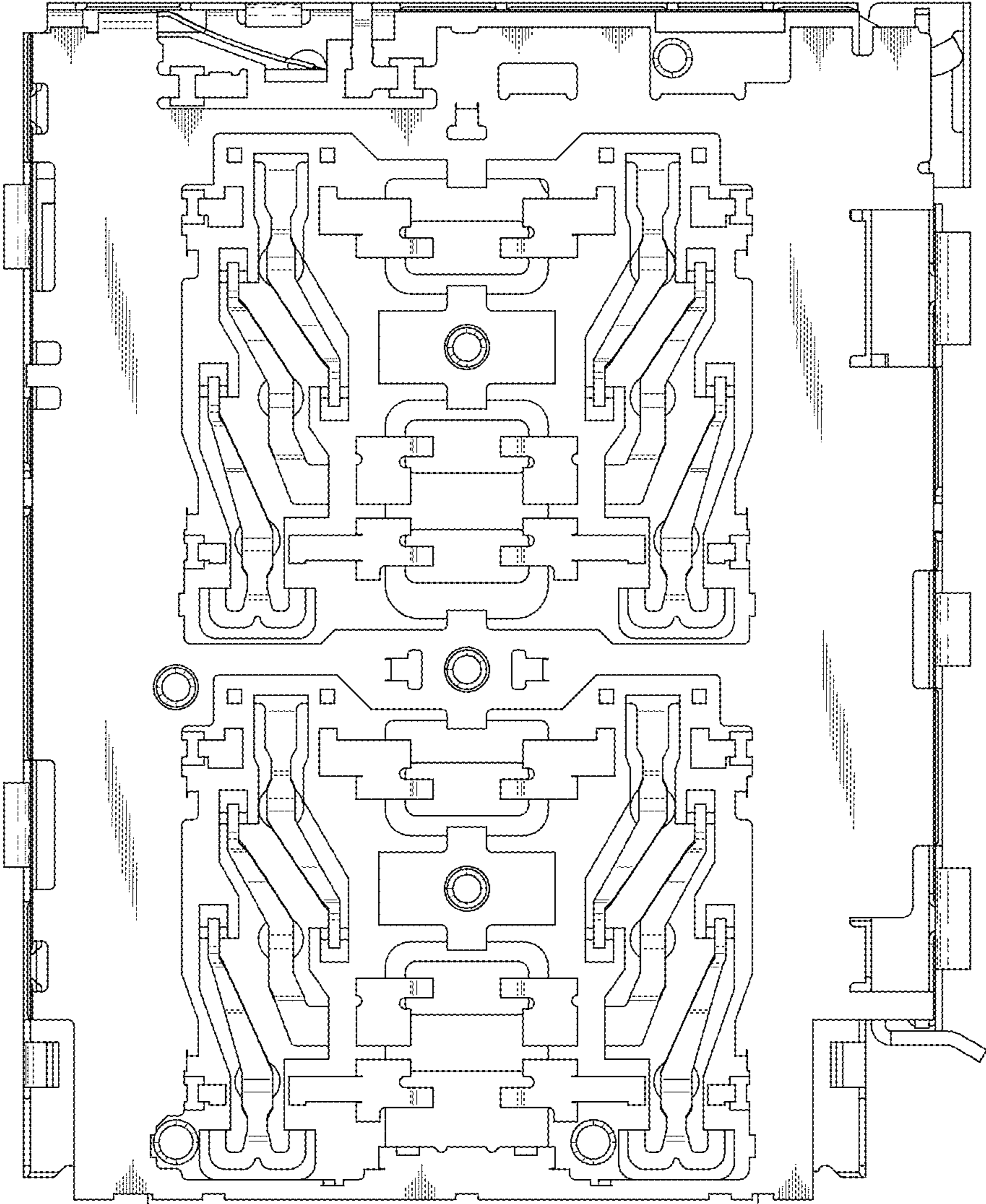


FIG.6

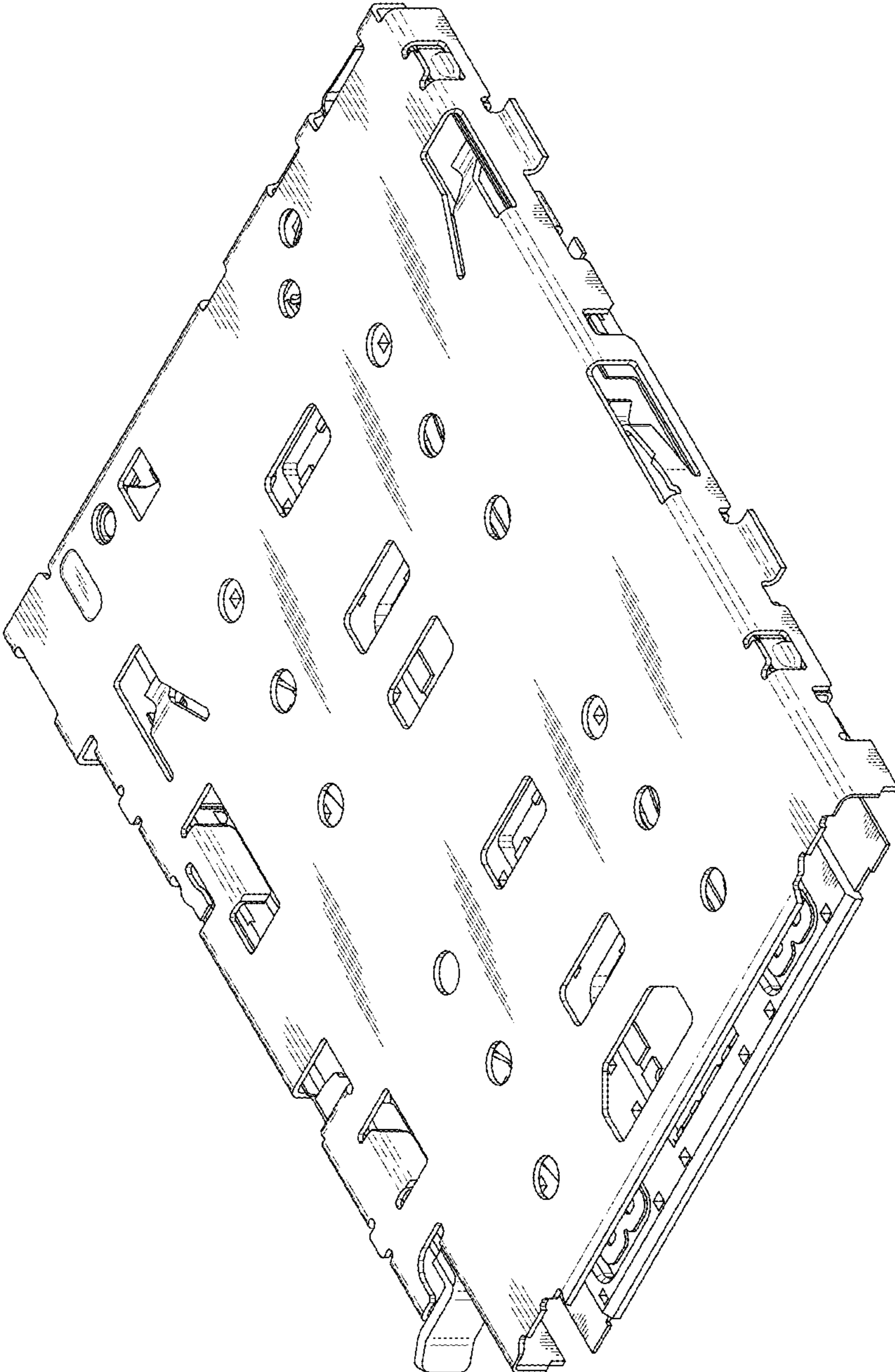


FIG.7

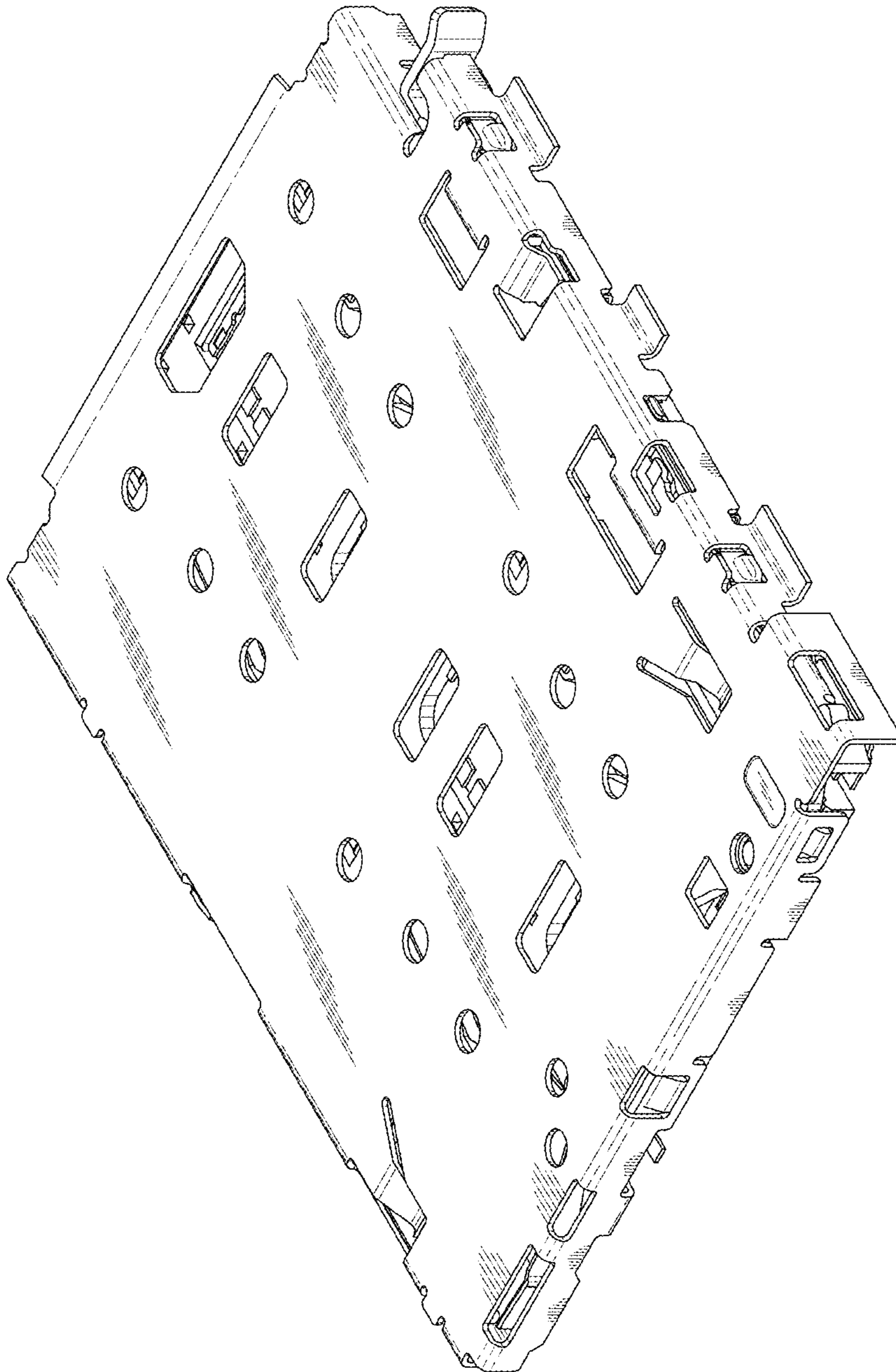


FIG.8

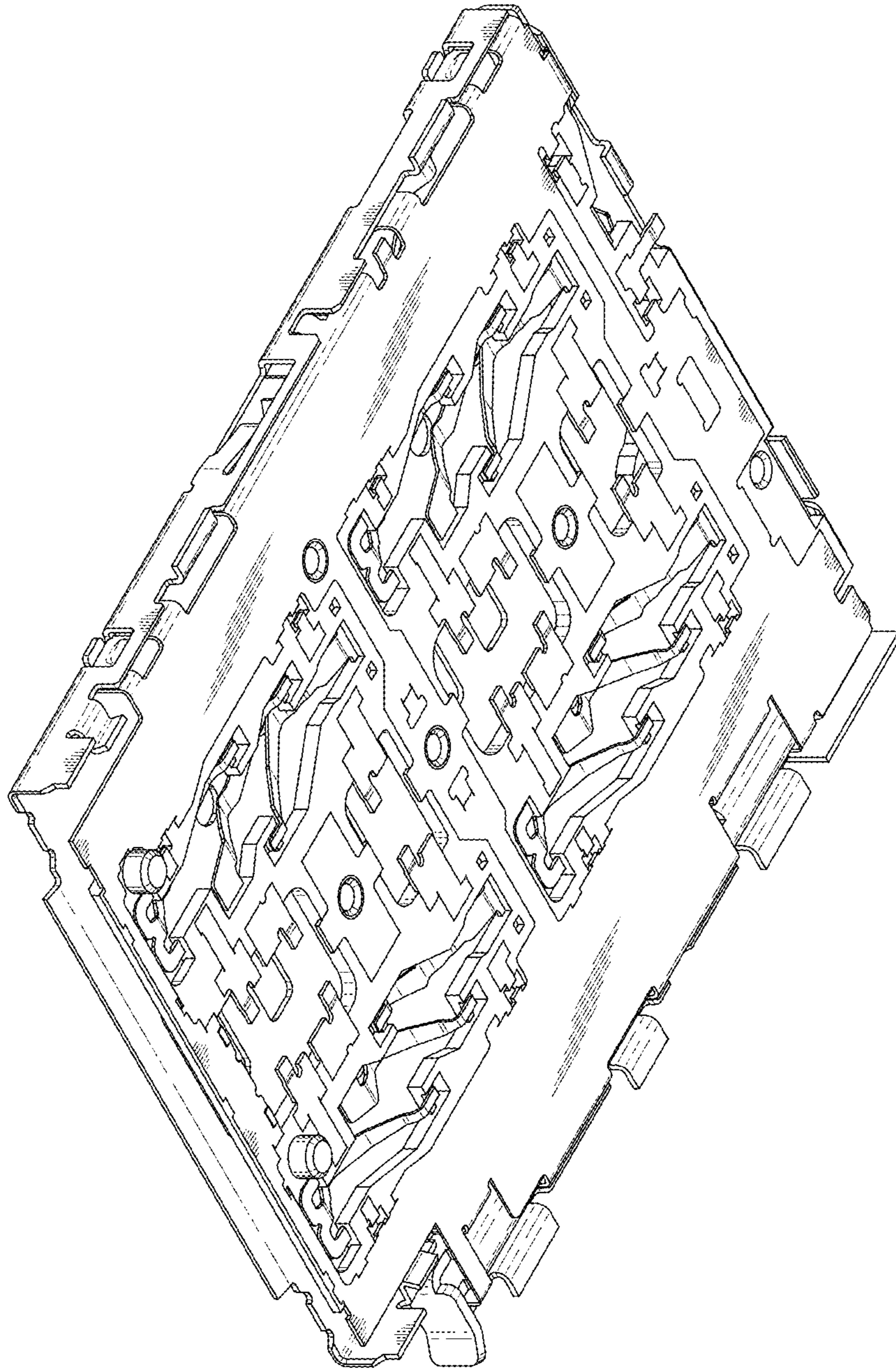


FIG.9

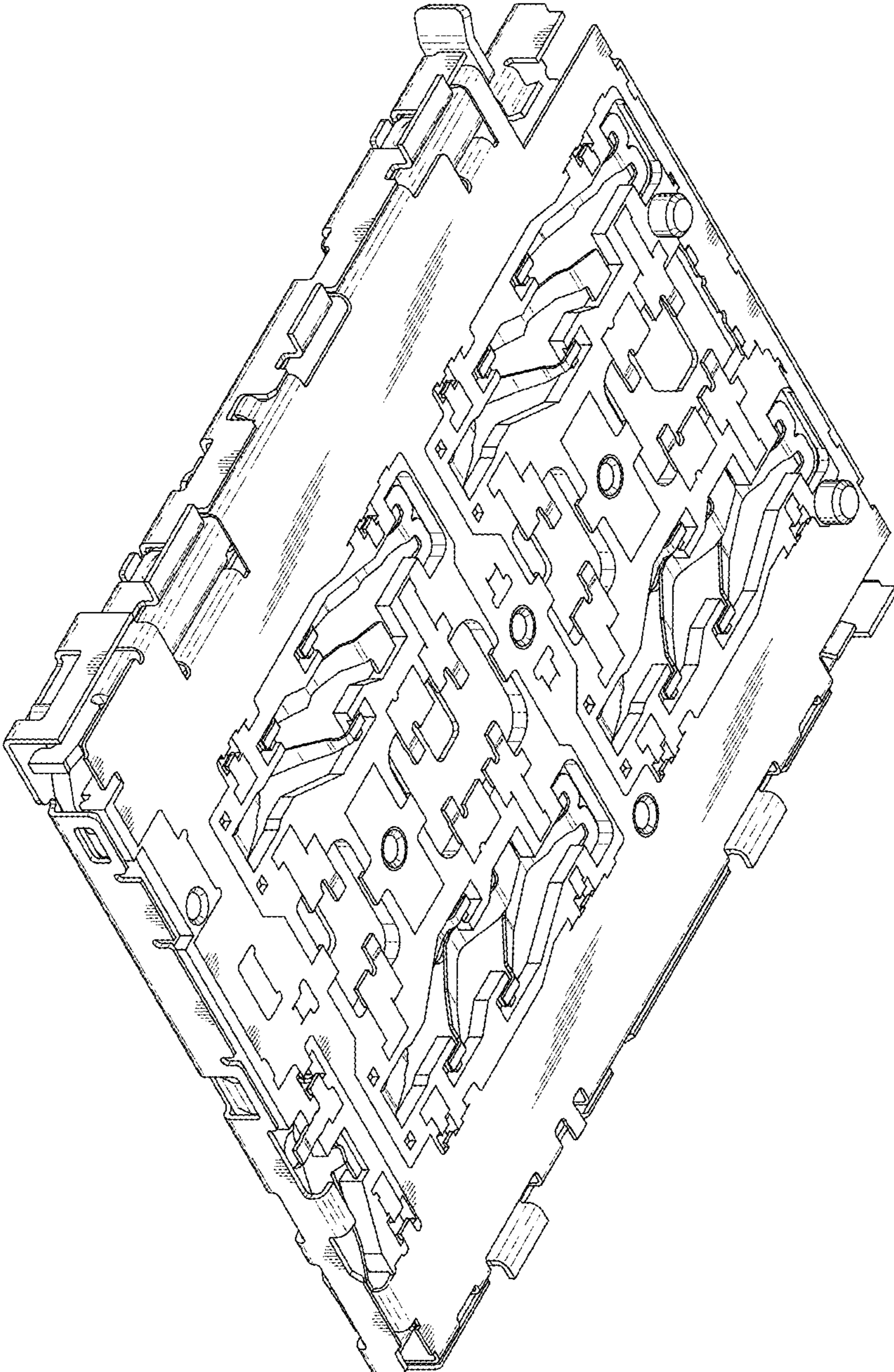


FIG.10