



US00D798239S

(12) **United States Design Patent**
Ashibu

(10) **Patent No.:** **US D798,239 S**

(45) **Date of Patent:** **** Sep. 26, 2017**

(54) **RINGS FOR HOLDING THE CONNECTIONS OF THE CONNECTORS**

(71) Applicant: **Japan Aviation Electronics Industry, Limited**, Tokyo (JP)

(72) Inventor: **Kenta Ashibu**, Tokyo (JP)

(73) Assignee: **Japan Aviation Electronics Industry, Limited**, Tokyo (JP)

(**) Term: **15 Years**

(21) Appl. No.: **29/552,062**

(22) Filed: **Jan. 20, 2016**

(30) **Foreign Application Priority Data**

Aug. 7, 2015 (JP) 2015-017552

(51) **LOC (10) Cl.** **13-03**

(52) **U.S. Cl.**
USPC **D13/147**

(58) **Field of Classification Search**
USPC D13/133, 146, 147, 154, 184, 199;
D14/433, 434, 435.1, 438
CPC H01R 12/24; H01R 12/72; H01R 12/77;
H01R 12/78; H01R 12/79; H01R 13/405;
H01R 13/62; H01R 13/639; H01R 13/72
See application file for complete search history.

(56) **References Cited**

U.S. PATENT DOCUMENTS

D597,953 S * 8/2009 Huang D13/147
D730,294 S * 5/2015 Huang D13/147

D735,676 S * 8/2015 Chen D13/147
D742,833 S * 11/2015 Ashibu D13/147
9,590,335 B1 * 3/2017 Ashibu H01R 12/88
D790,473 S * 6/2017 Chen D13/147

FOREIGN PATENT DOCUMENTS

JP 1509405 S 10/2014

* cited by examiner

Primary Examiner — Daniel Bui

(74) *Attorney, Agent, or Firm* — Cermak Nakajima & McGowan LLP; Tomoko Nakajima

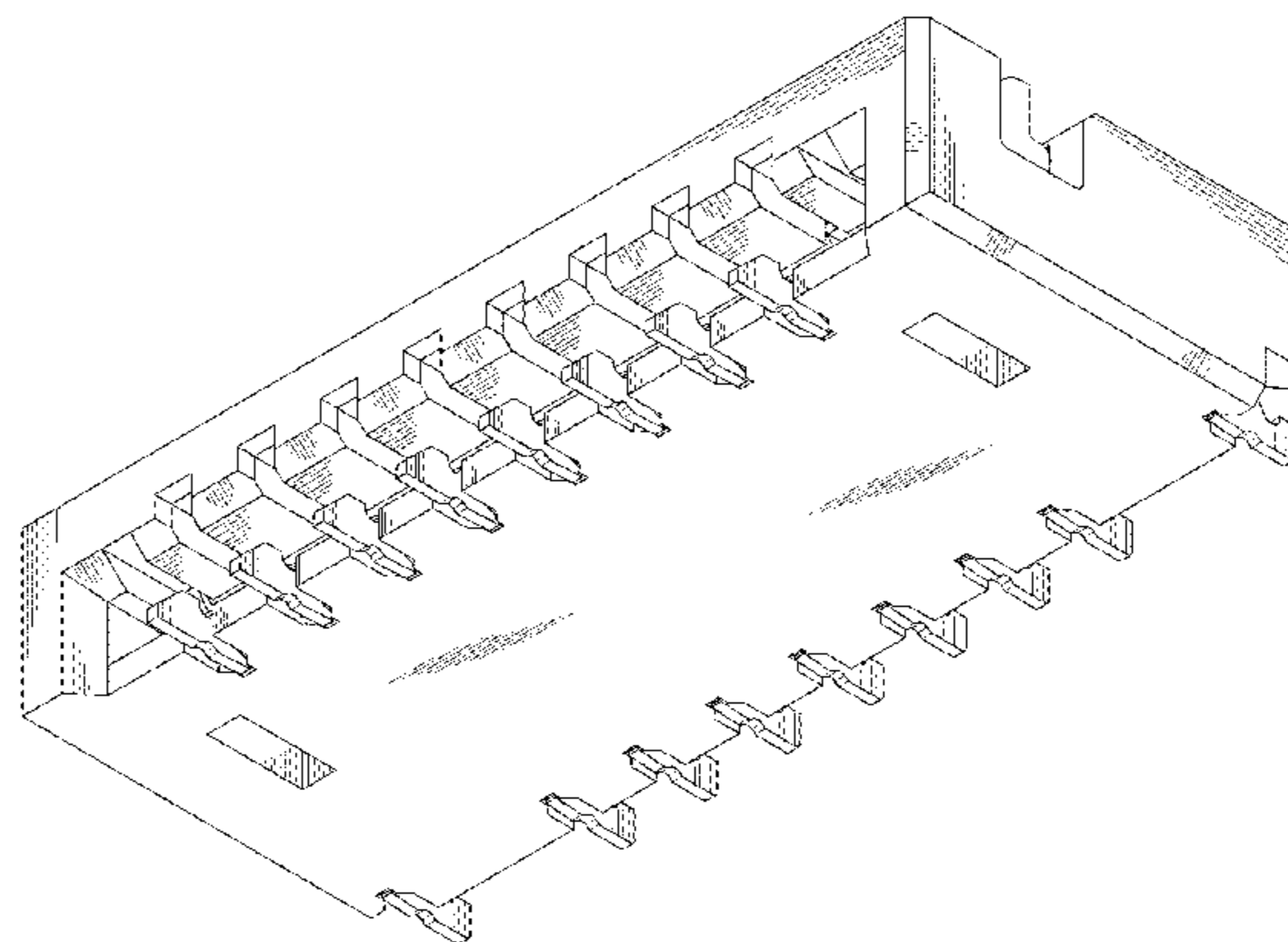
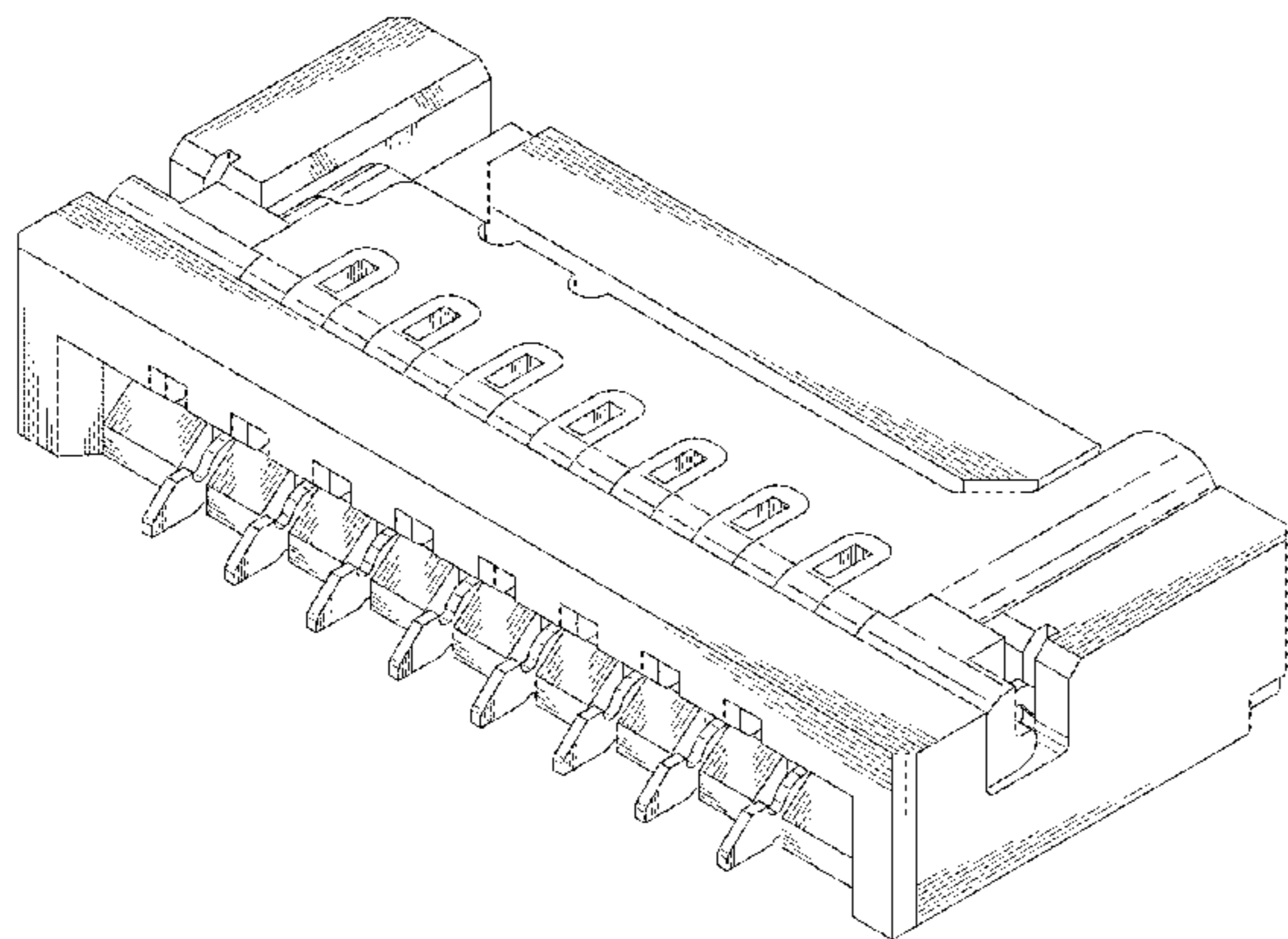
(57) **CLAIM**

The ornamental design for rings for holding the connections of the connectors, as shown.

DESCRIPTION

FIG. 1 is a front elevational view of rings for holding the connections of the connectors showing my new design; FIG. 2 is a top plan view thereof; FIG. 3 is a right side elevational view thereof; FIG. 4 is a left side elevational view thereof; FIG. 5 is a rear elevational view thereof; and FIG. 6 is a bottom plan view thereof. FIG. 7 is a front and top perspective view thereof; FIG. 8 is a rear and top perspective view thereof; FIG. 9 is a front and bottom perspective view thereof; and, FIG. 10 is a rear and bottom perspective view thereof. The broken line shown in the drawing views represents unclaimed environmental only and forms no part of the claimed design.

1 Claim, 10 Drawing Sheets



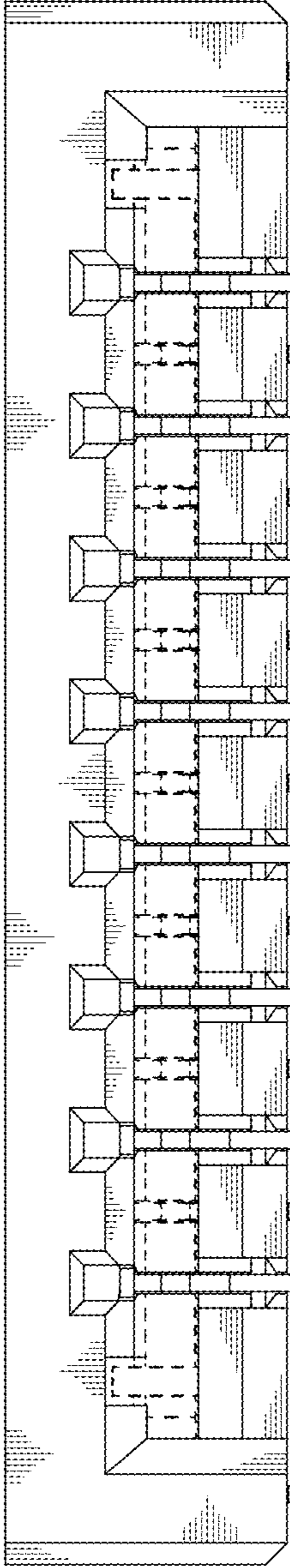


FIG.1

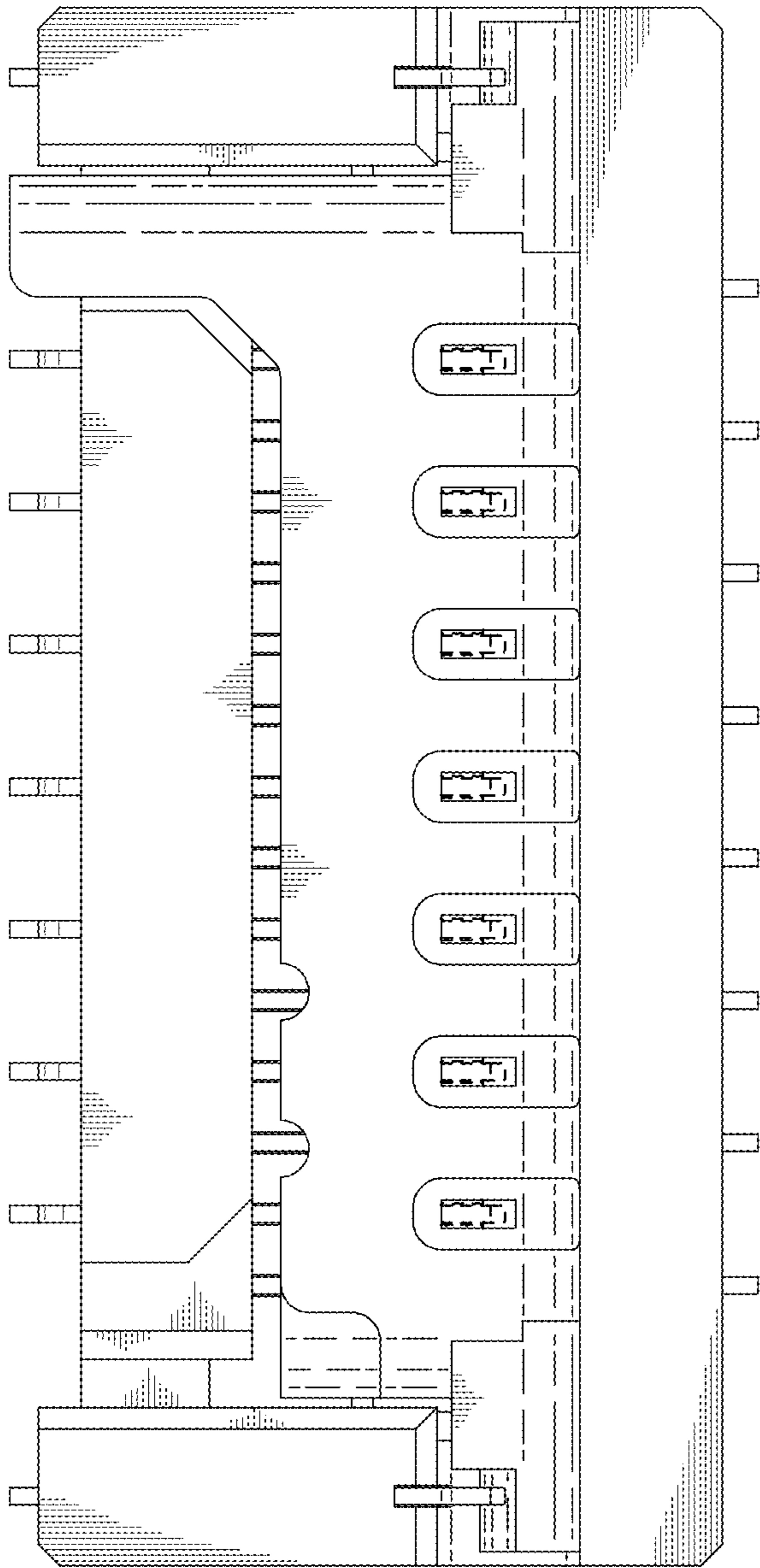


FIG.2

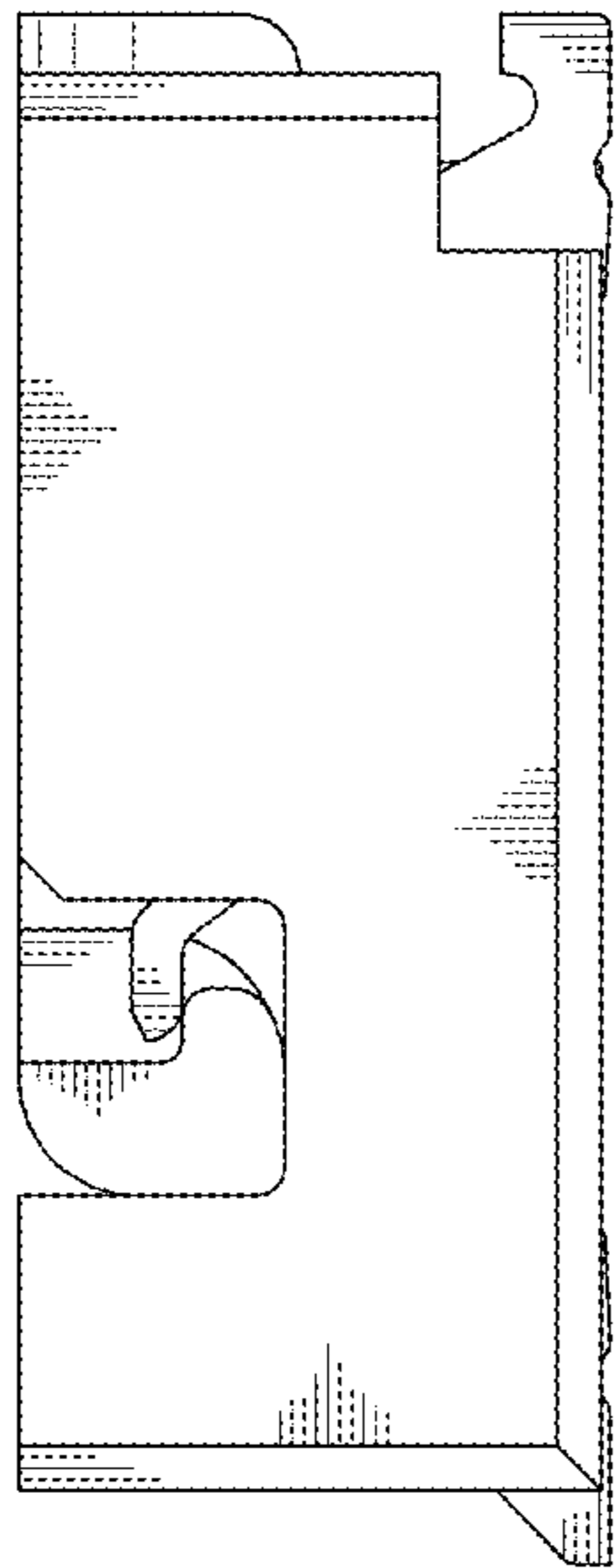


FIG.3

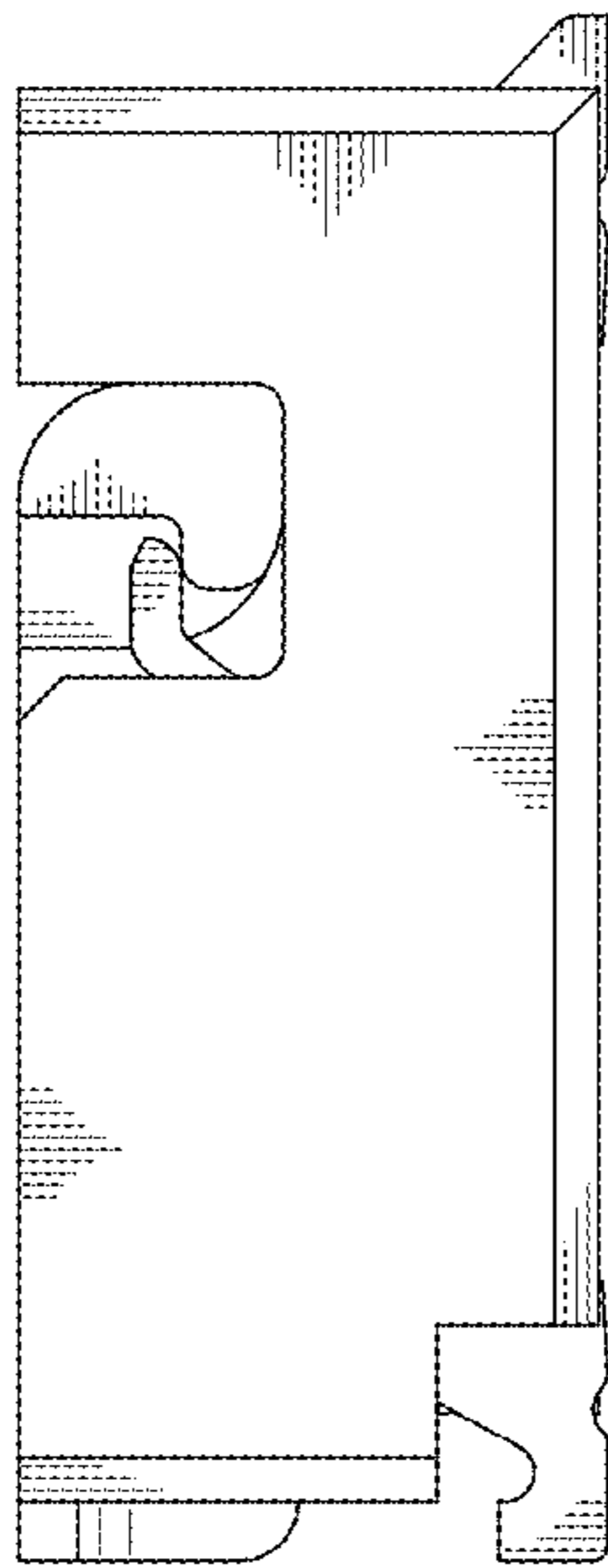


FIG.4

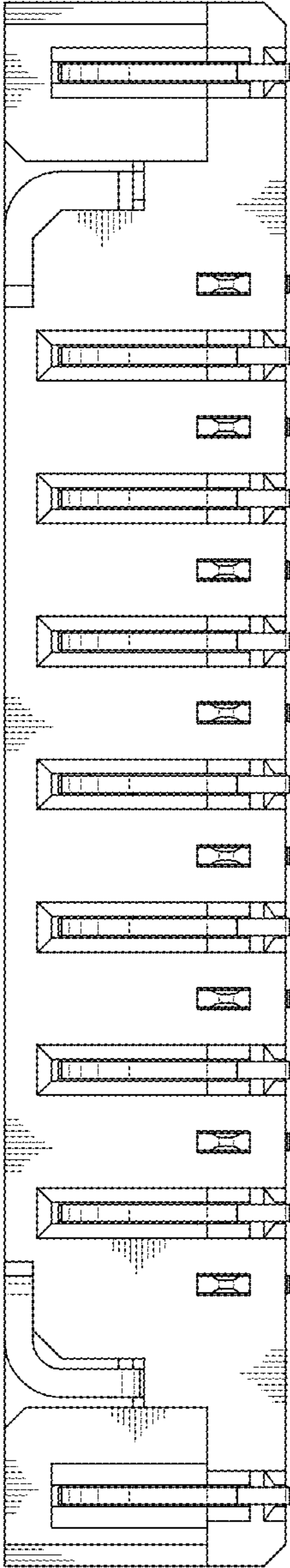


FIG.5

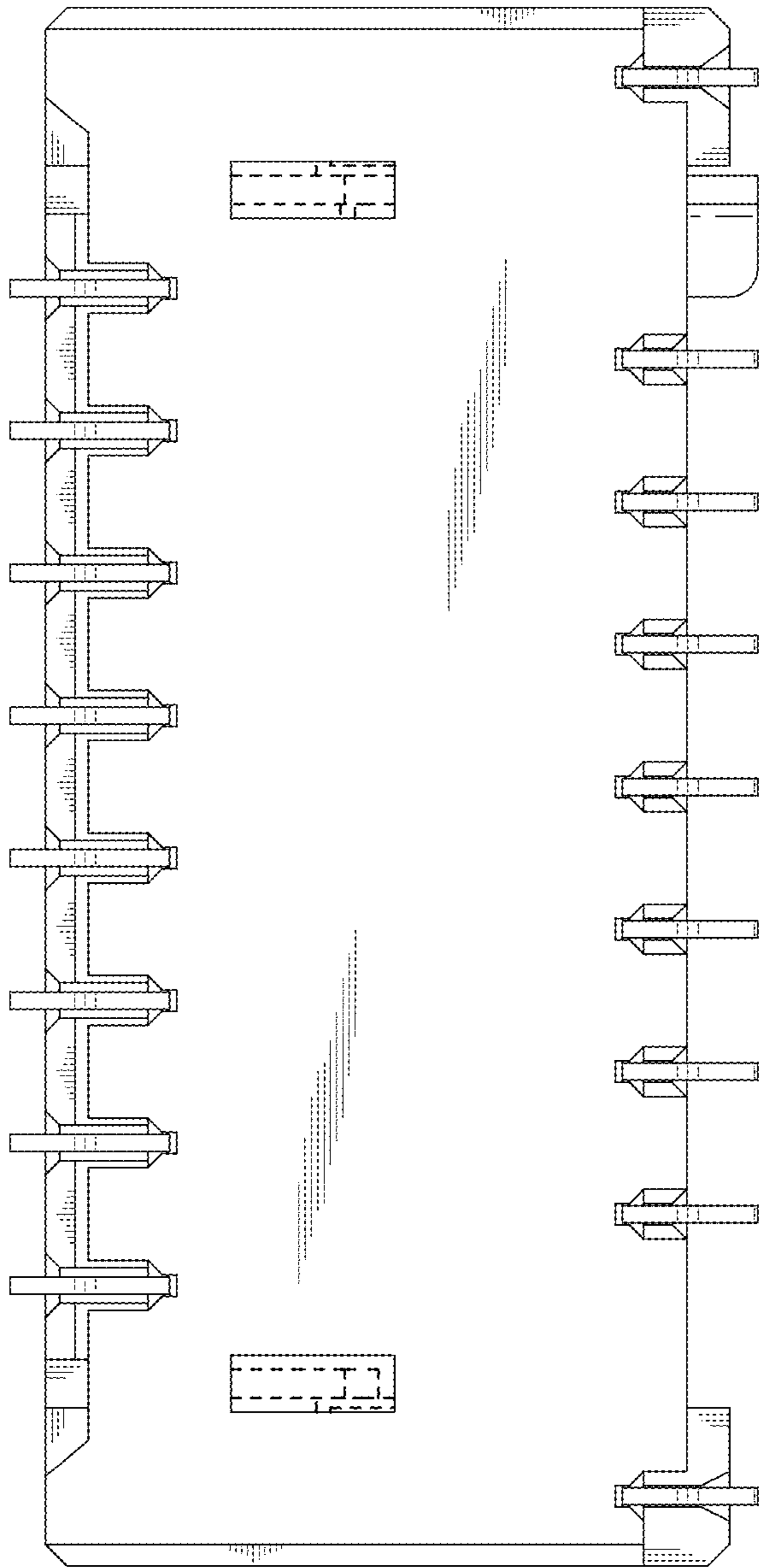


FIG.6

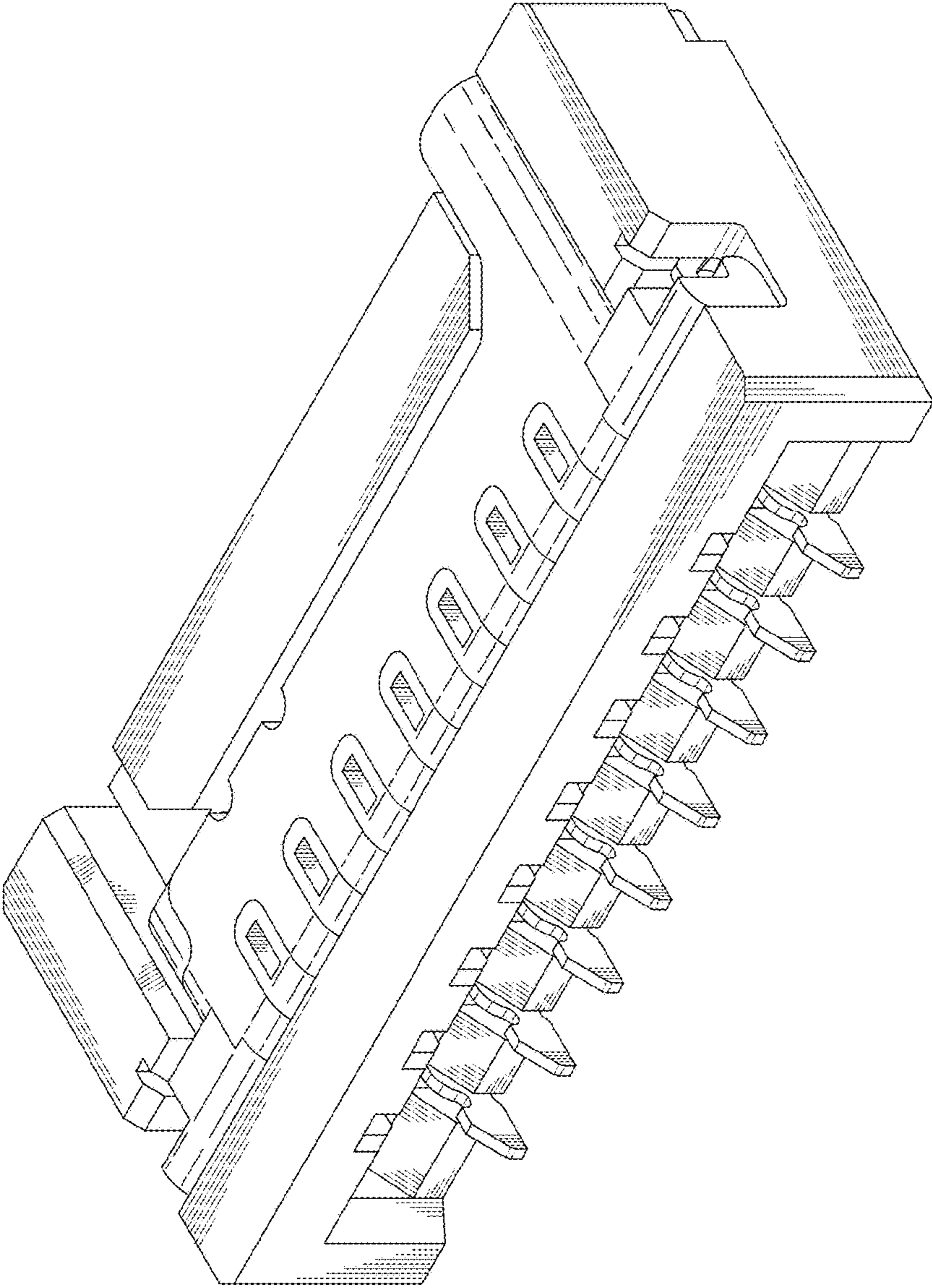


FIG.7

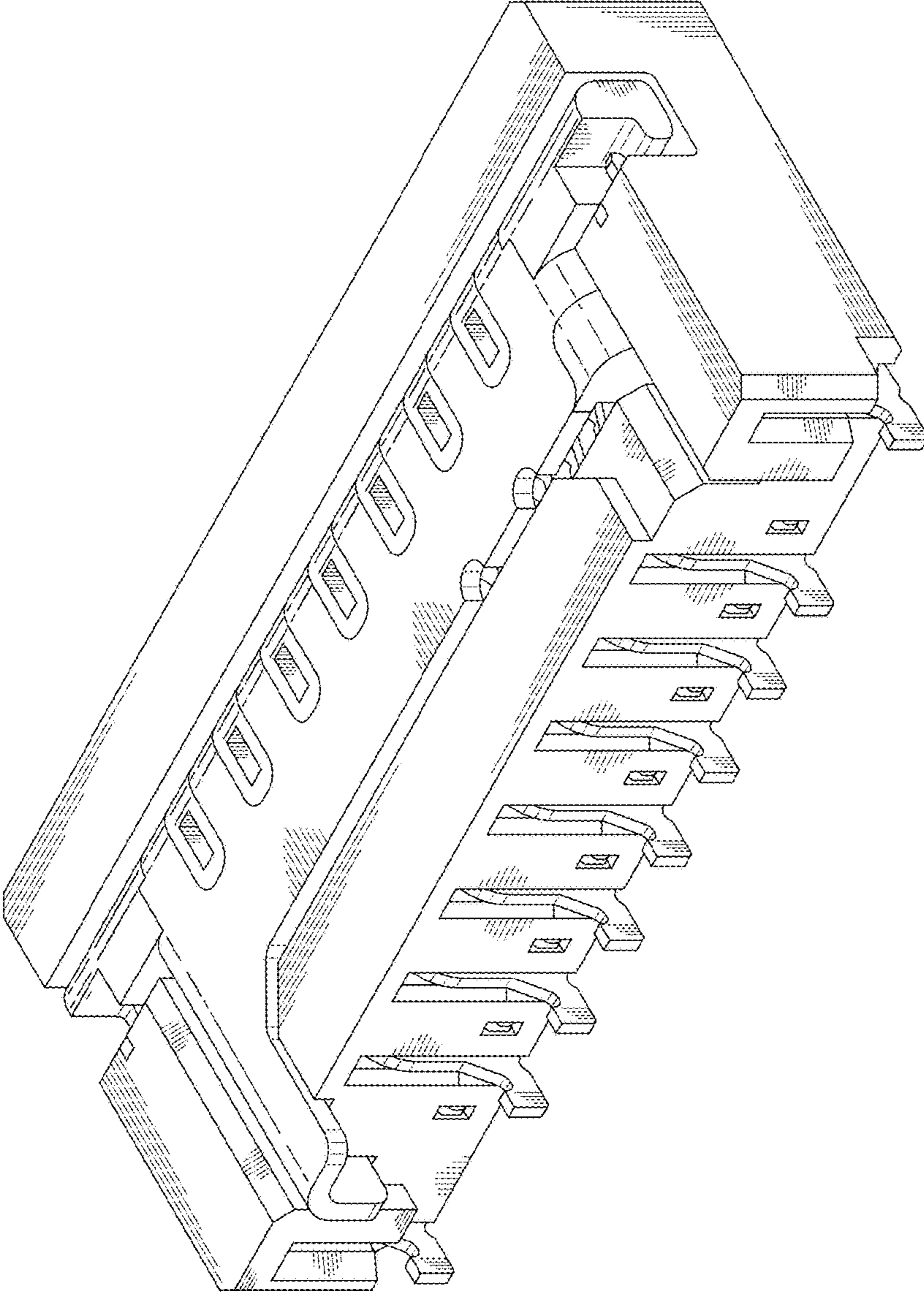


FIG.8

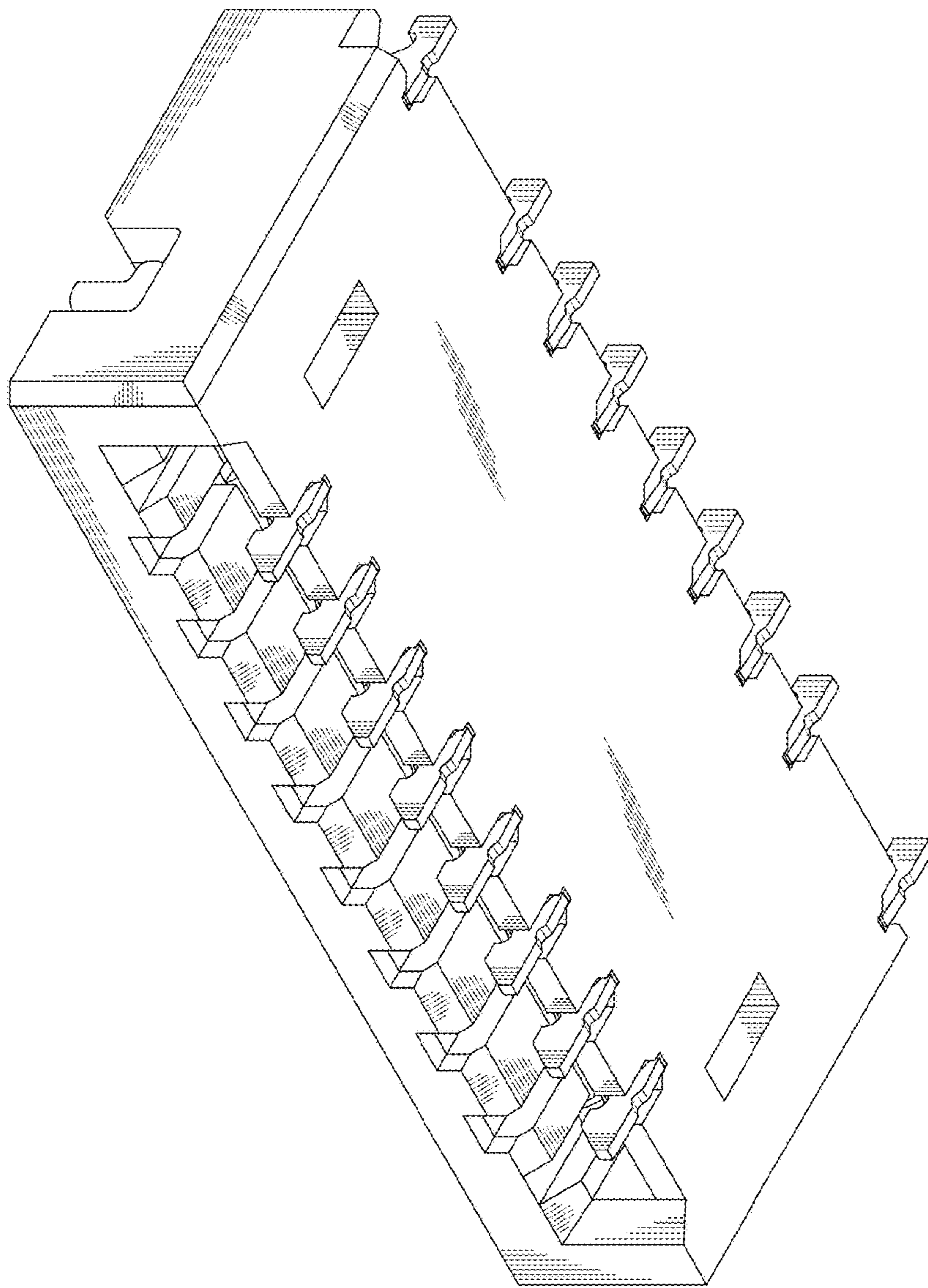


FIG.9

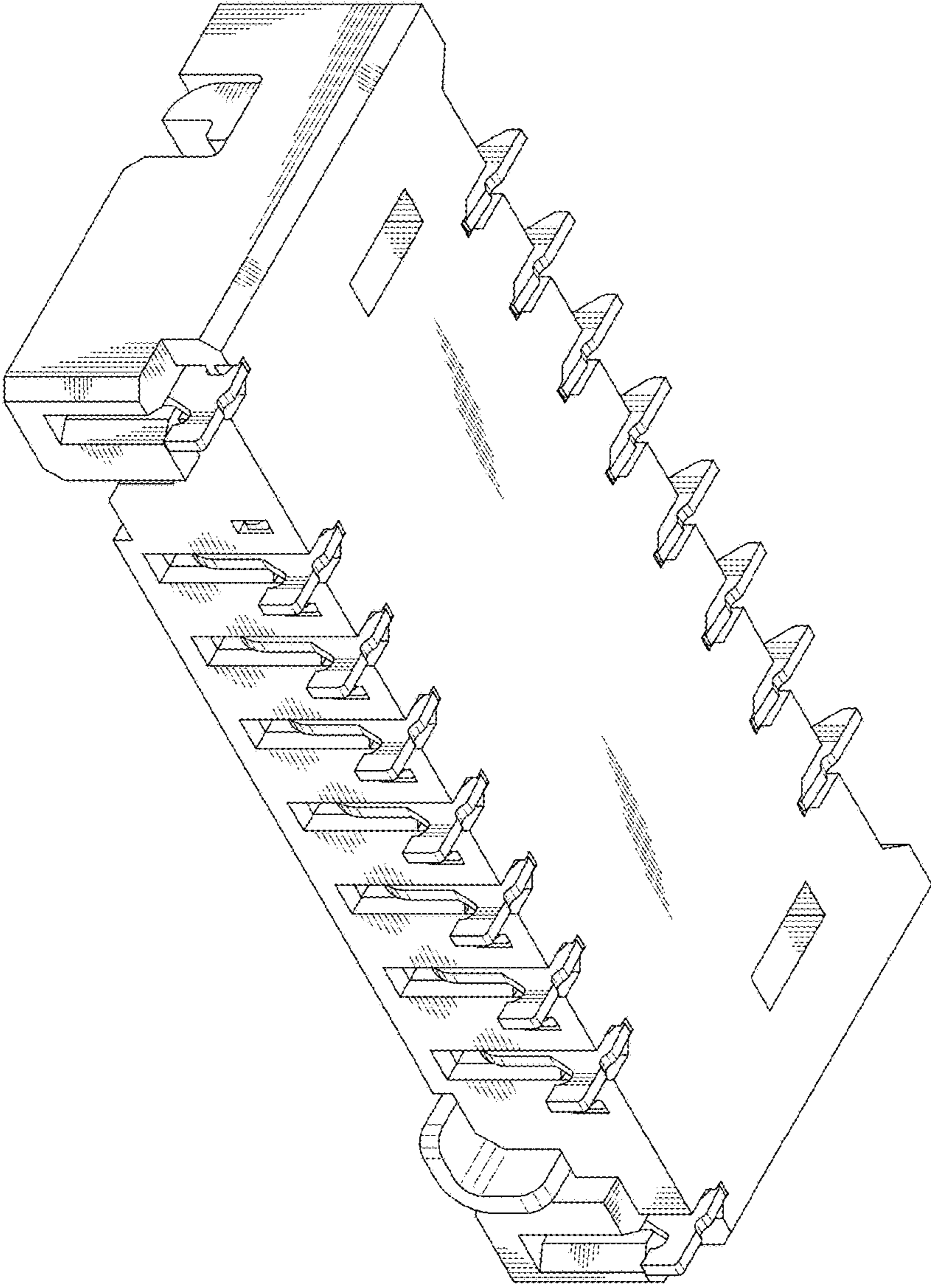


FIG.10