

US00D798237S

(12) **United States Design Patent** (10) **Patent No.:** **US D798,237 S**
Peng (45) **Date of Patent:** **** Sep. 26, 2017**

- (54) **WIRE CONNECTOR**
- (71) Applicant: **Rich Brand Industries Limited**,
Dongguan, Guangdong Province (CN)
- (72) Inventor: **Te-Shui Peng**, Taoyuan (TW)
- (73) Assignee: **Rich Brand Industries Limited**,
Dongguan (CN)
- (**) Term: **15 Years**
- (21) Appl. No.: **29/546,422**
- (22) Filed: **Nov. 23, 2015**
- (51) **LOC (10) Cl.** **13-03**
- (52) **U.S. Cl.**
USPC **D13/133**
- (58) **Field of Classification Search**
USPC D13/118, 120, 123, 133–135, 145–147,
D13/149, 151, 153–156, 173, 184, 199
CPC ... H01R 9/03; H01R 9/05; H01R 4/24; H01R
4/242; H01R 4/2404; H01R 13/00; H01R
13/04; H01R 13/54; H01R 13/58; H01R
13/62; H01R 13/627; H01R 13/64; H01R
24/00; H01R 33/00
See application file for complete search history.

(56) **References Cited**

U.S. PATENT DOCUMENTS

D366,126 S *	1/1996	Lin	D26/24
D385,849 S *	11/1997	Mathews	D13/133
D467,544 S *	12/2002	Hwang	D13/123
D475,970 S *	6/2003	Li	D13/133
D485,238 S *	1/2004	Hwang	D13/123
6,733,318 B2 *	5/2004	Myer	H01R 13/41 439/248

(Continued)

Primary Examiner — Thomas Johannes
Assistant Examiner — Shawn T Gingrich

(74) *Attorney, Agent, or Firm* — Alan D. Kamrath;
Kamrath IP Lawfirm, P.A.

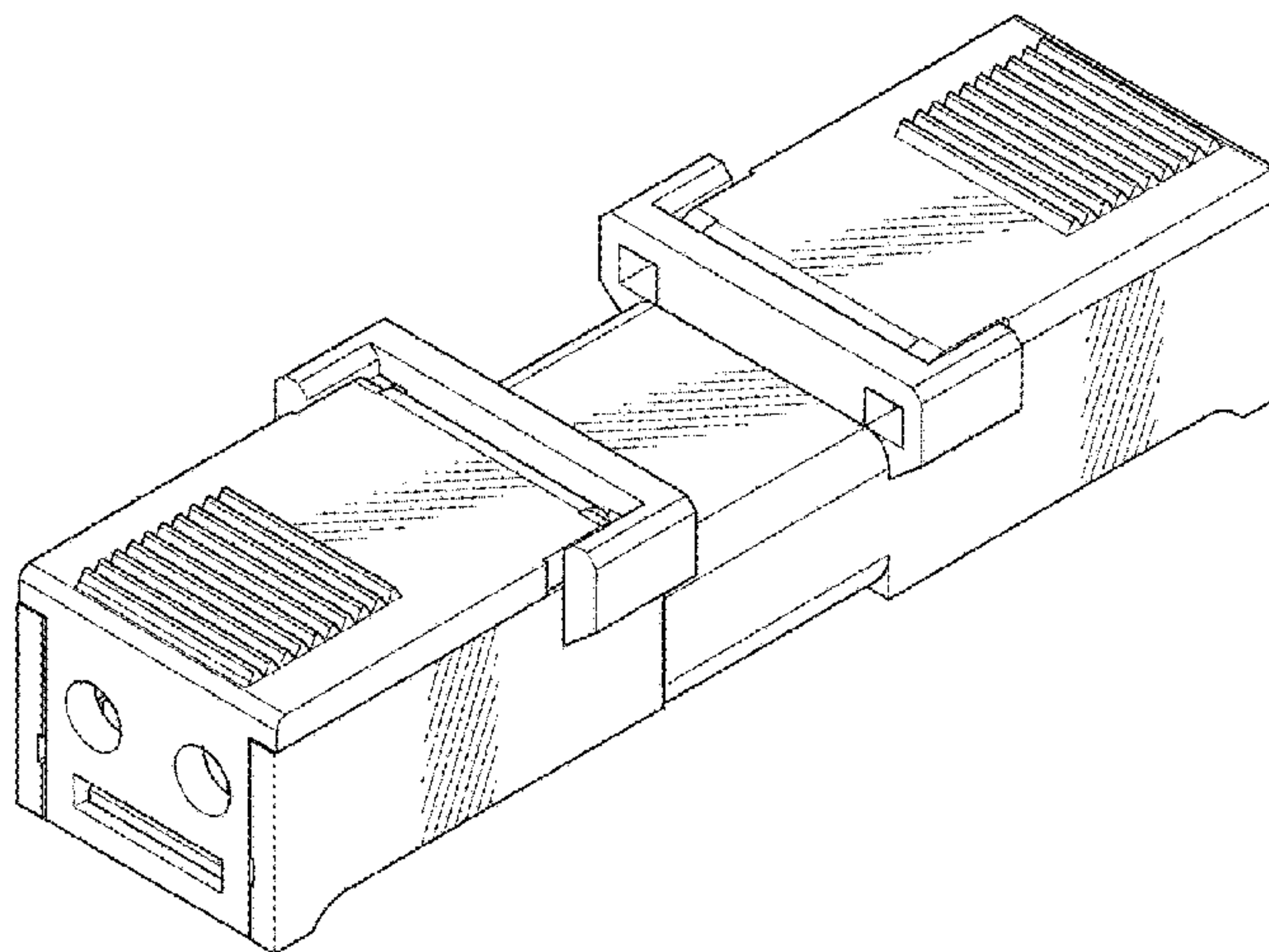
(57) **CLAIM**

The ornamental design for a wire connector, as shown and described.

DESCRIPTION

FIG. 1 is a perspective view of the wire connector showing my new design;
 FIG. 2 is an another perspective view of the wire connector showing my new design;
 FIG. 3 is a front elevational view thereof;
 FIG. 4 is a rear elevational view thereof;
 FIG. 5 is a left side elevational view thereof;
 FIG. 6 is a right side elevational view thereof;
 FIG. 7 is a top plan view thereof;
 FIG. 8 is a bottom plan view thereof;
 FIG. 9 is a perspective view of a male connector of the wire connector showing my new design;
 FIG. 10 is an another perspective view of the male connector of the wire connector showing my new design;
 FIG. 11 is a front elevational view thereof;
 FIG. 12 is a rear elevational view thereof;
 FIG. 13 is a left side elevational view thereof;
 FIG. 14 is a right side elevational view thereof;
 FIG. 15 is a top plan view thereof;
 FIG. 16 is a bottom plan view thereof;
 FIG. 17 is a perspective view of a female connector of the wire connector showing my new design;
 FIG. 18 is an another perspective view of the female connector of the wire connector showing my new design;
 FIG. 19 is a front elevational view thereof;
 FIG. 20 is a rear elevational view thereof;
 FIG. 21 is a left side elevational view thereof;
 FIG. 22 is a right side elevational view thereof;
 FIG. 23 is a top plan view thereof; and,
 FIG. 24 is a bottom plan view.
 The broken line portion of the figure drawings is included to show portions of the article that form no part of the claimed design.

1 Claim, 11 Drawing Sheets



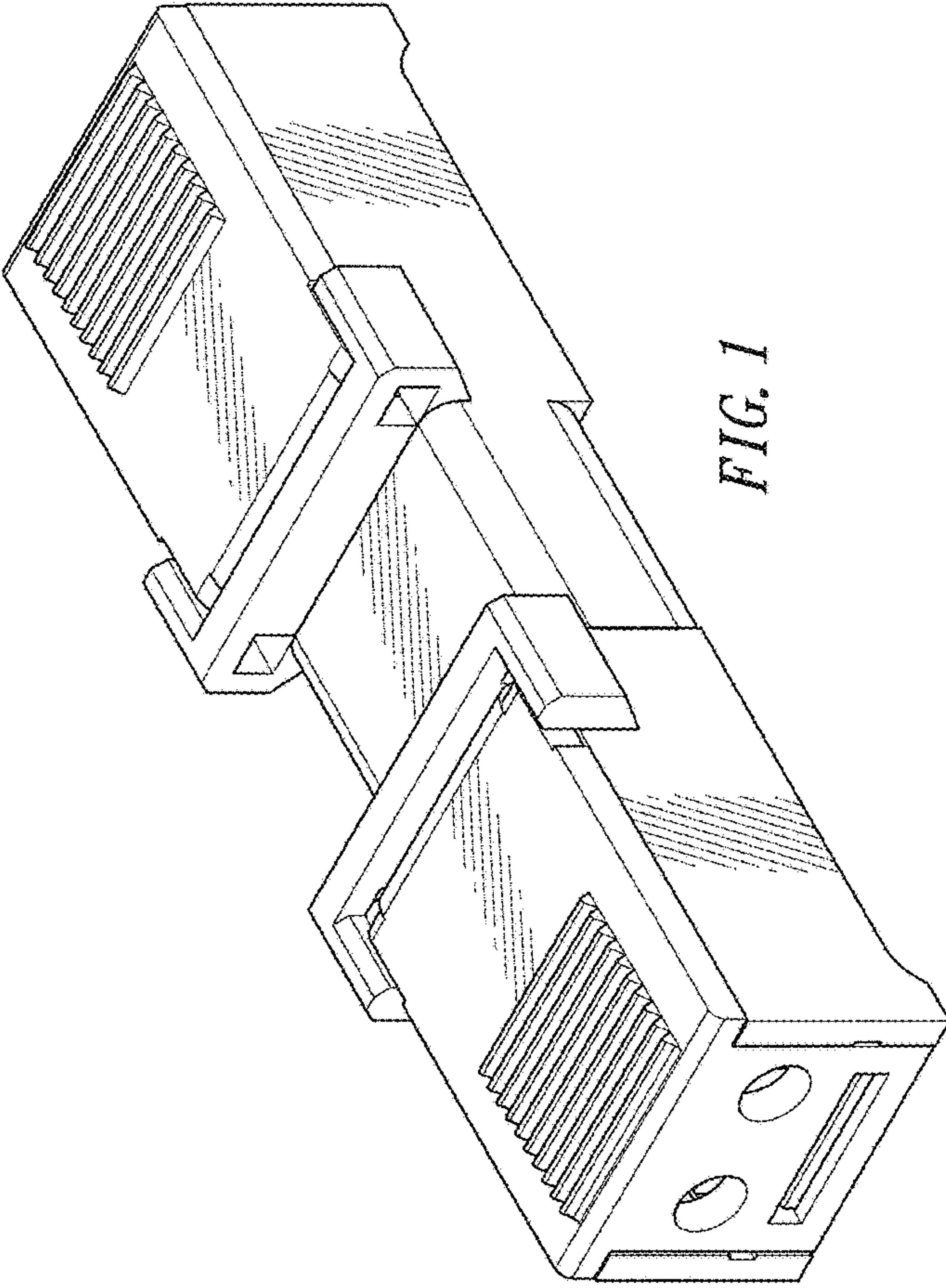
(56)

References Cited

U.S. PATENT DOCUMENTS

7,922,517 B2 * 4/2011 Landis H01R 13/639
439/445
D699,680 S * 2/2014 Takamoto D13/133
9,122,020 B2 * 9/2015 Haley G02B 6/3825
9,306,348 B2 * 4/2016 Feng H01R 24/78
9,472,871 B2 * 10/2016 Lin H01R 4/4836
9,490,552 B1 * 11/2016 Peng H01R 13/627

* cited by examiner



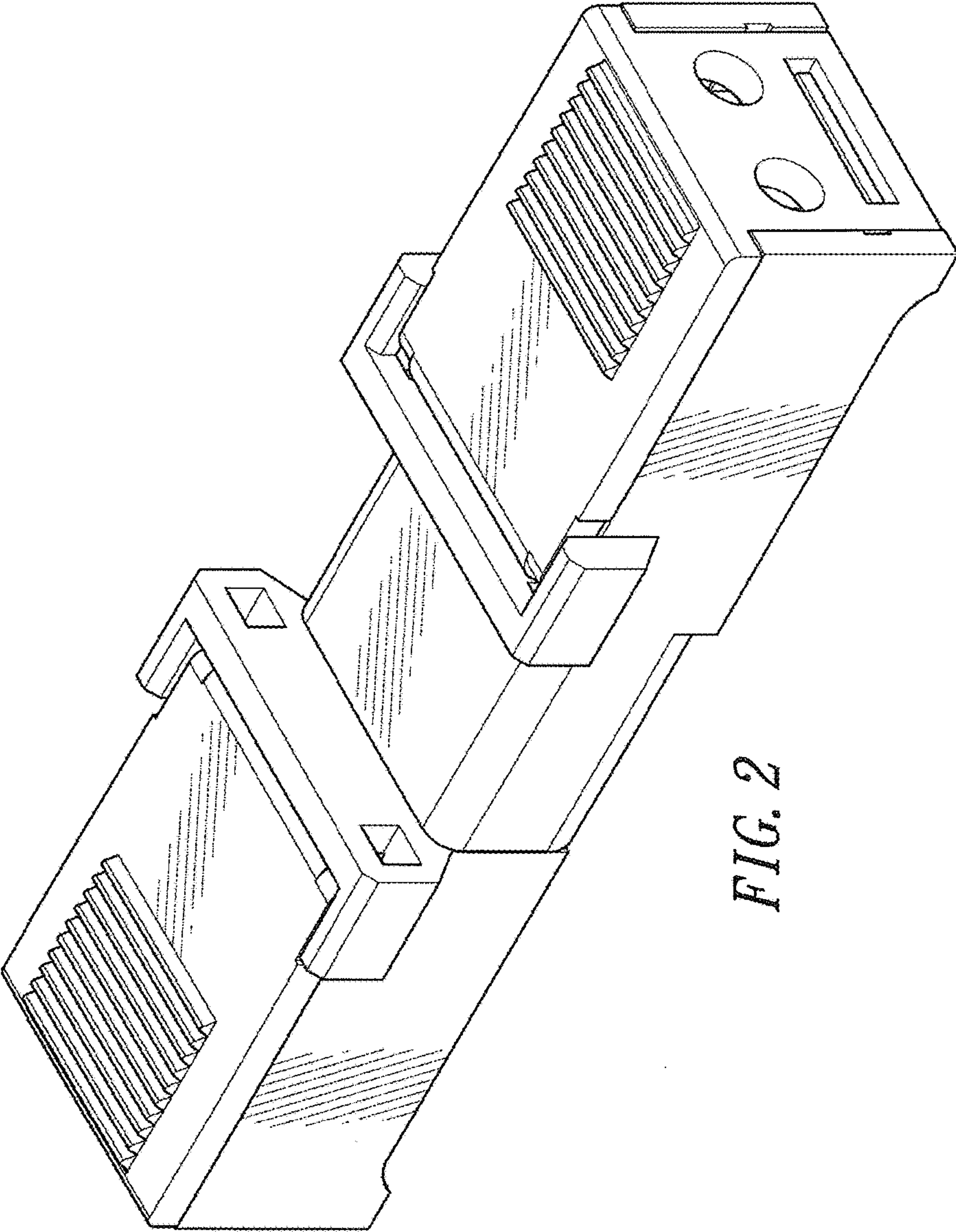


FIG. 2

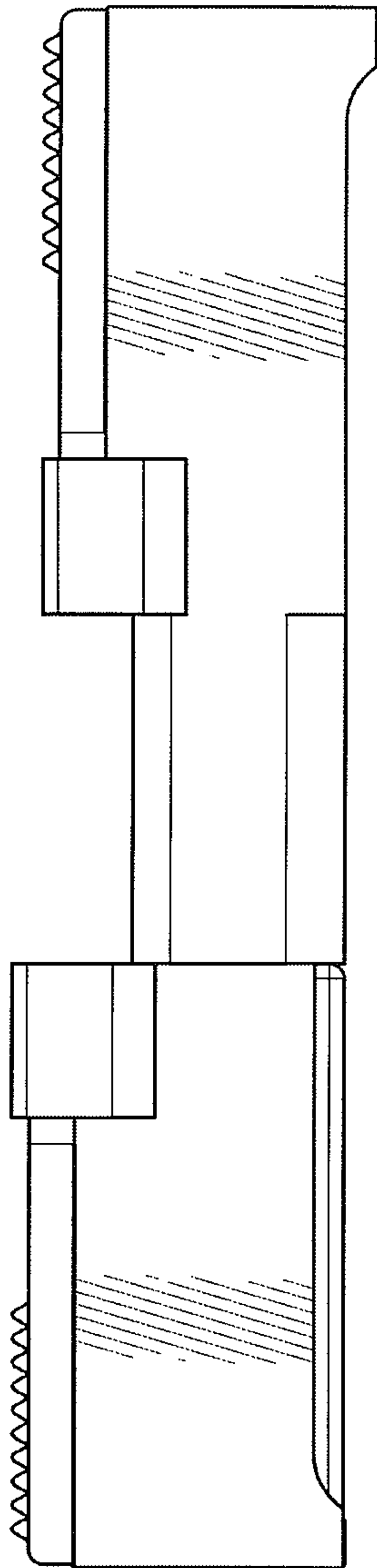


FIG. 3

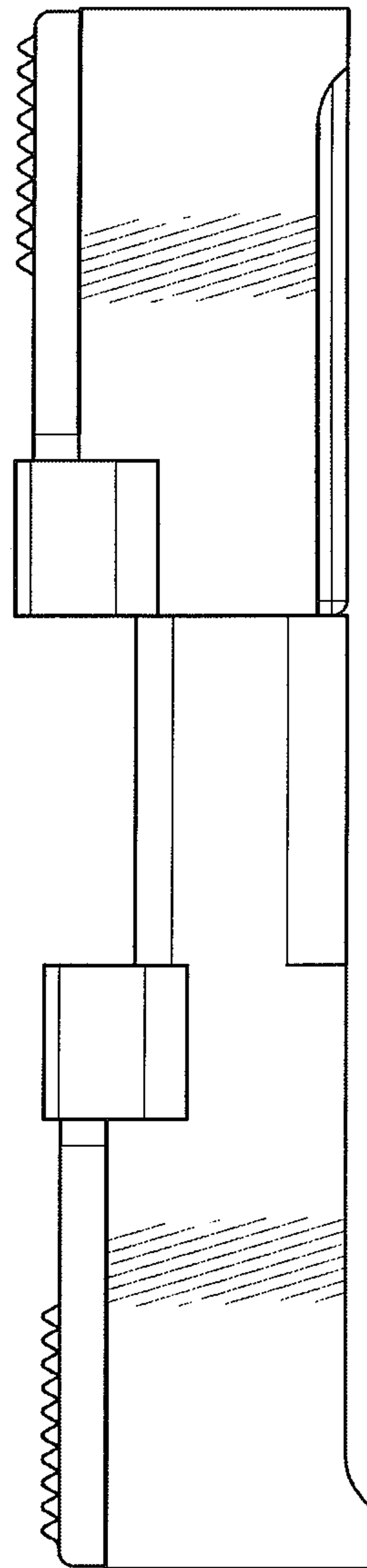


FIG. 4

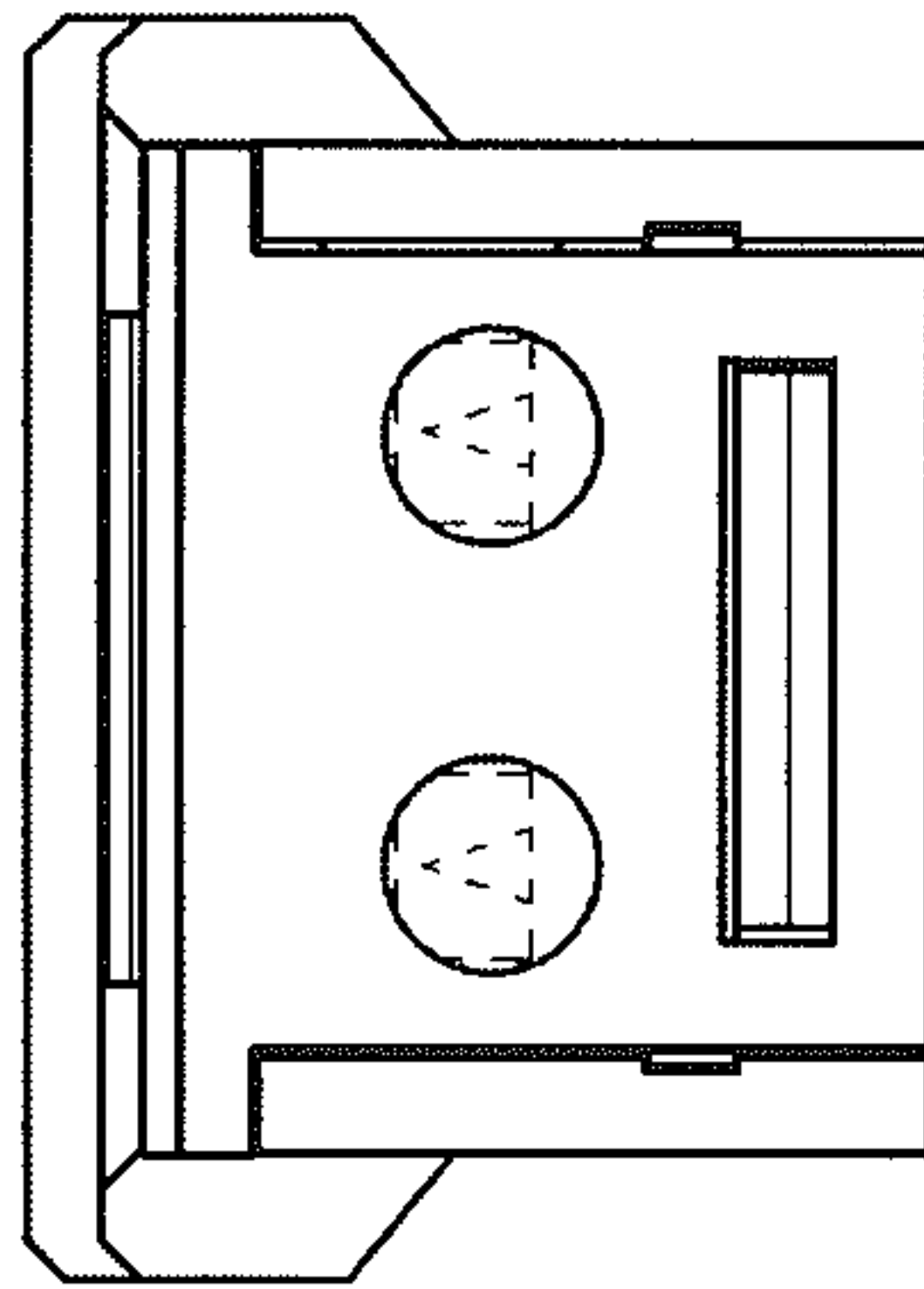


FIG. 6

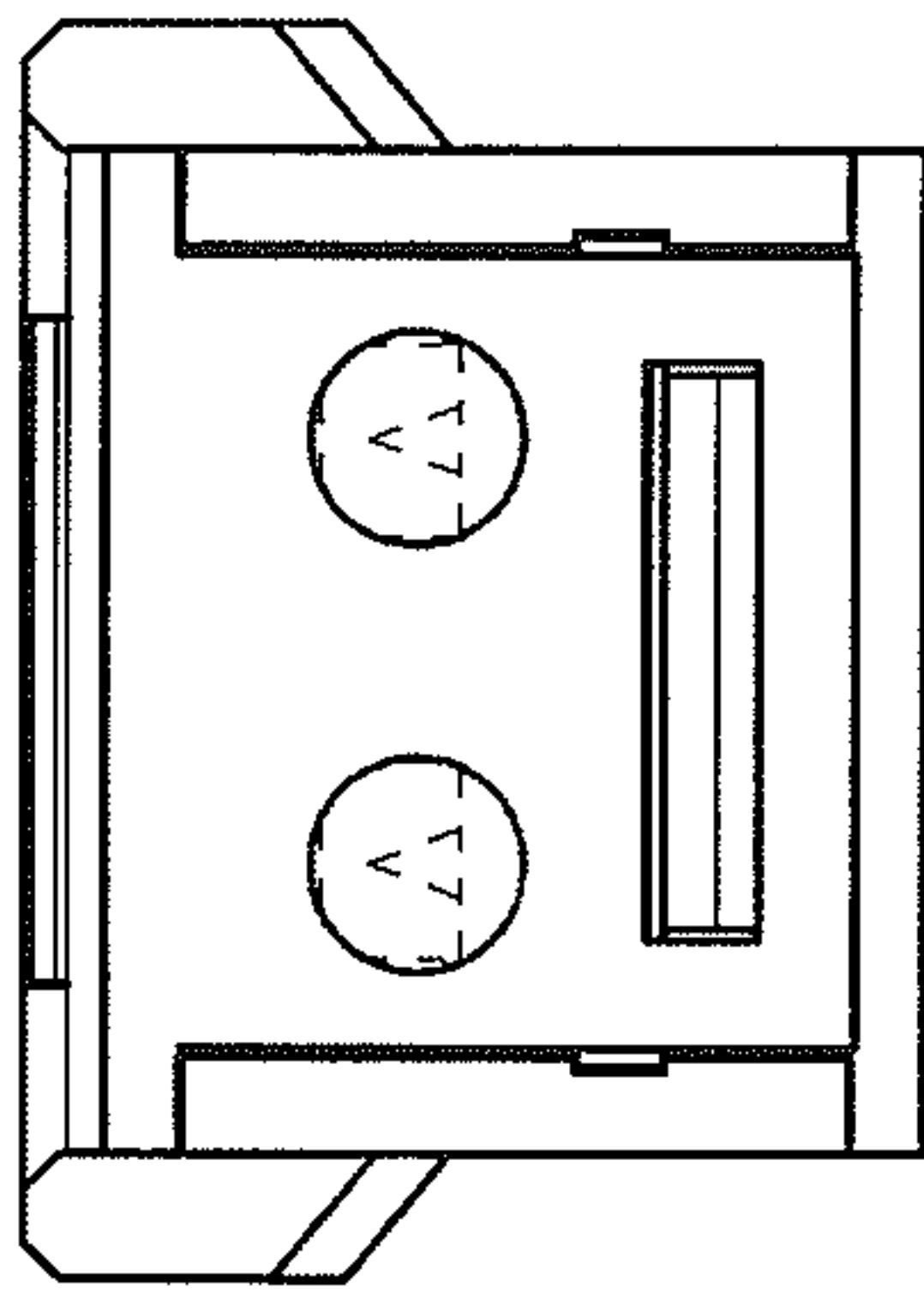


FIG. 5

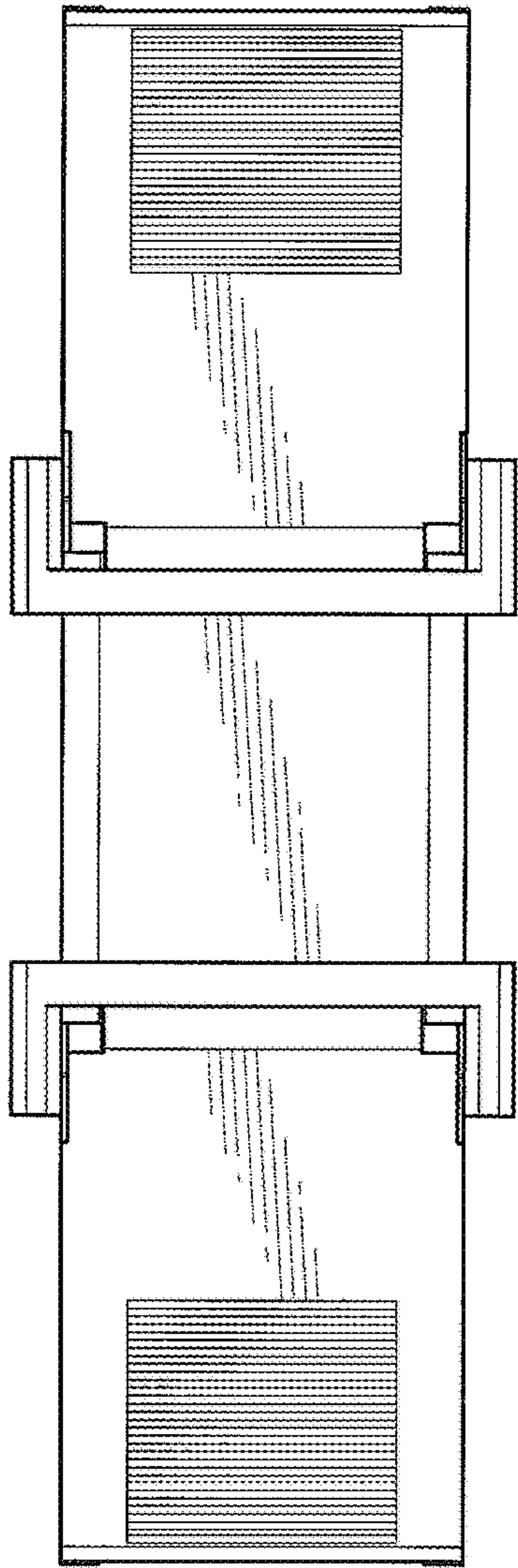


FIG. 7

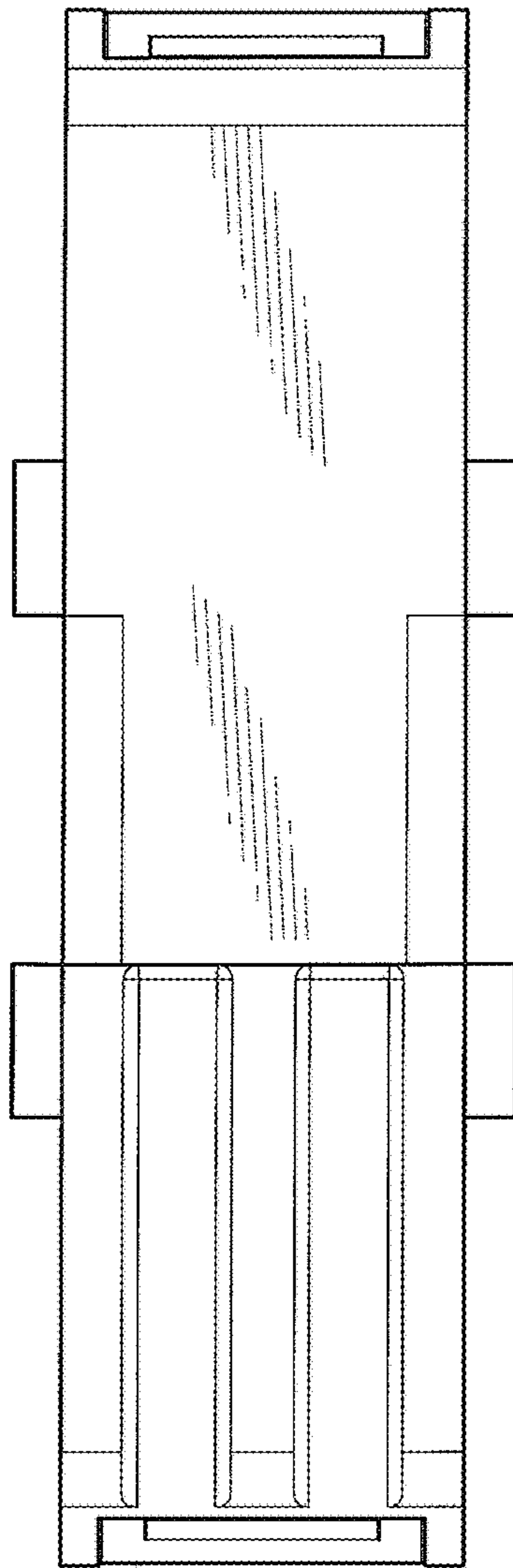


FIG. 8

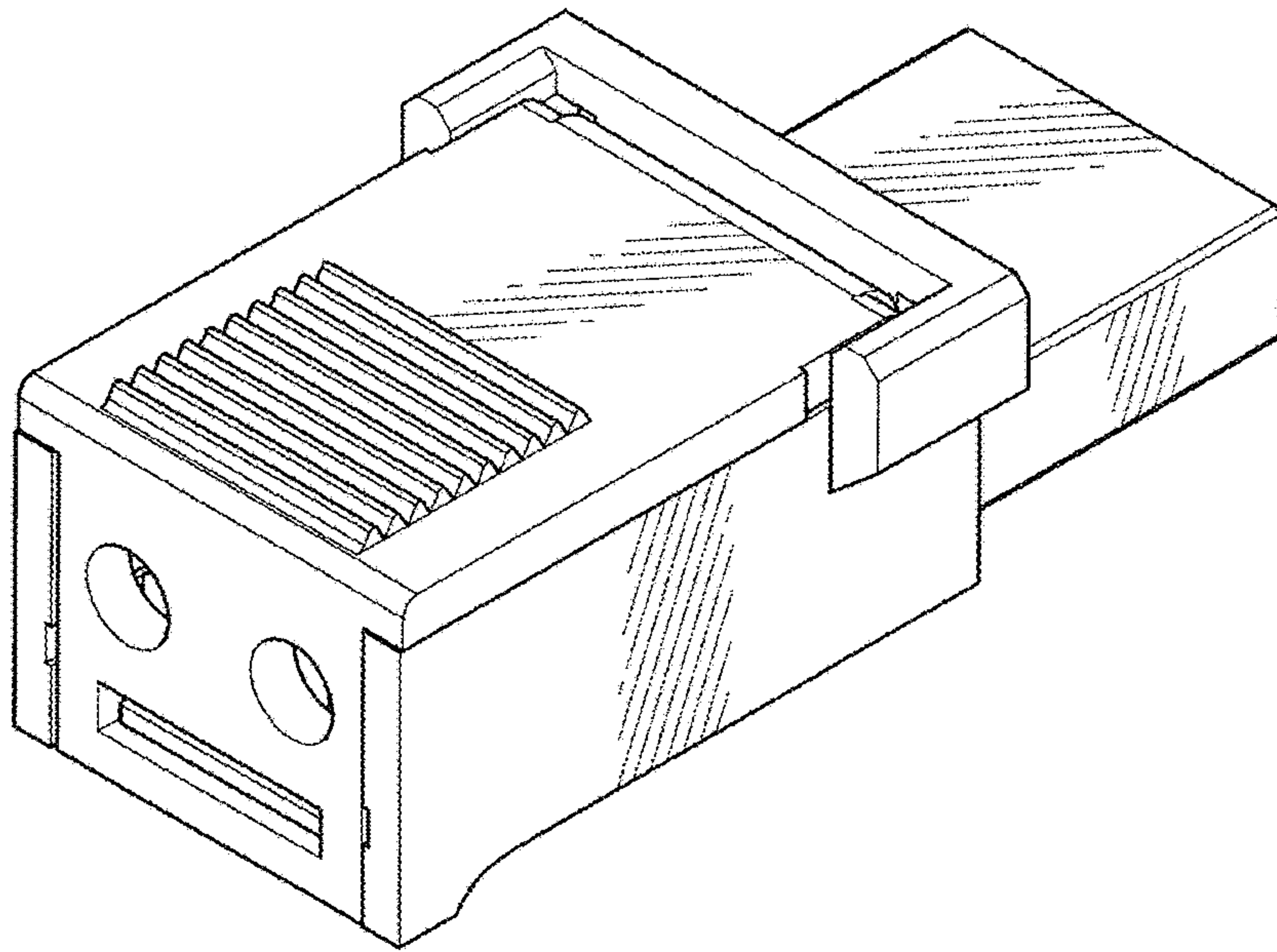


FIG. 9

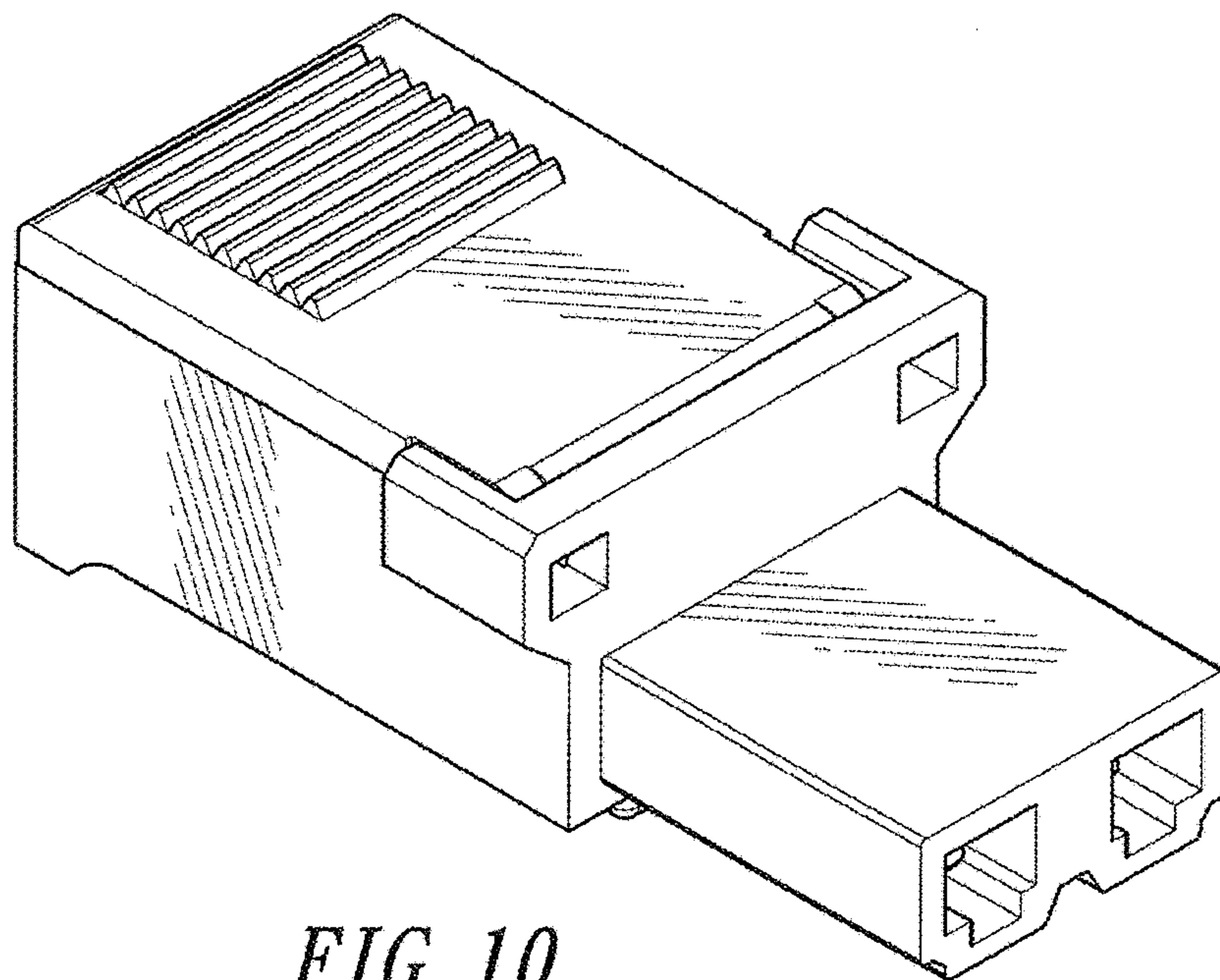


FIG. 10

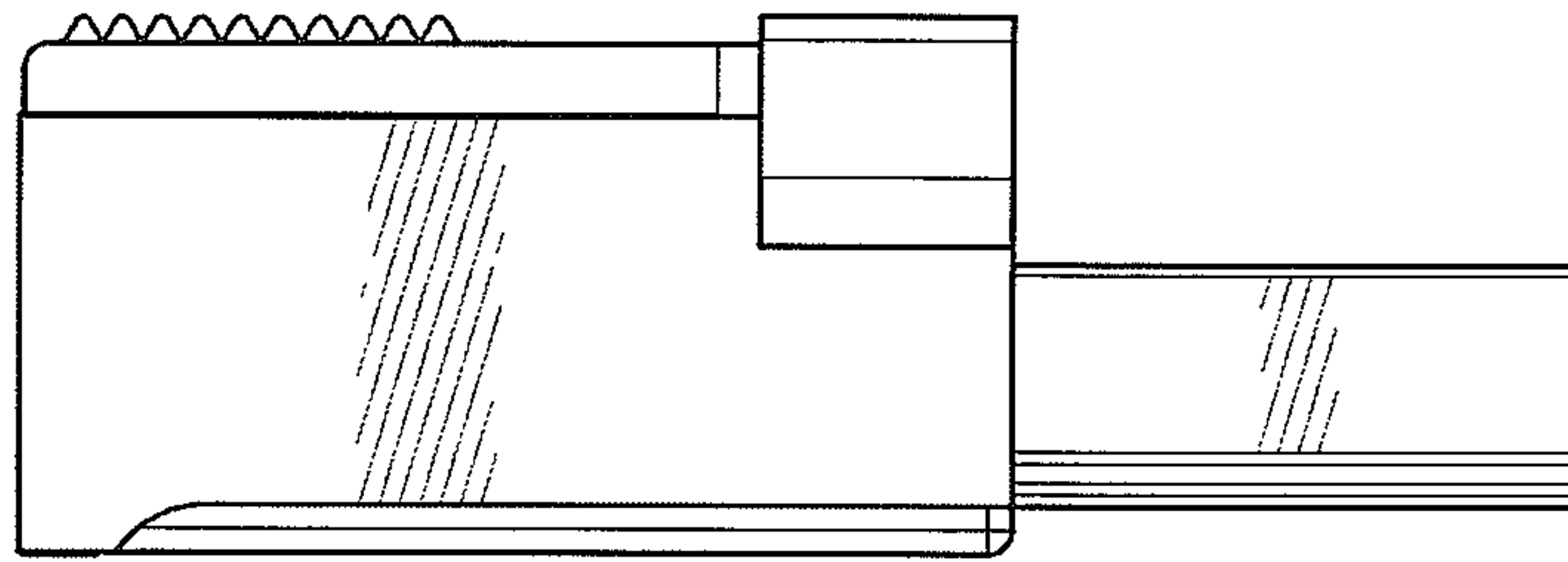


FIG. 11

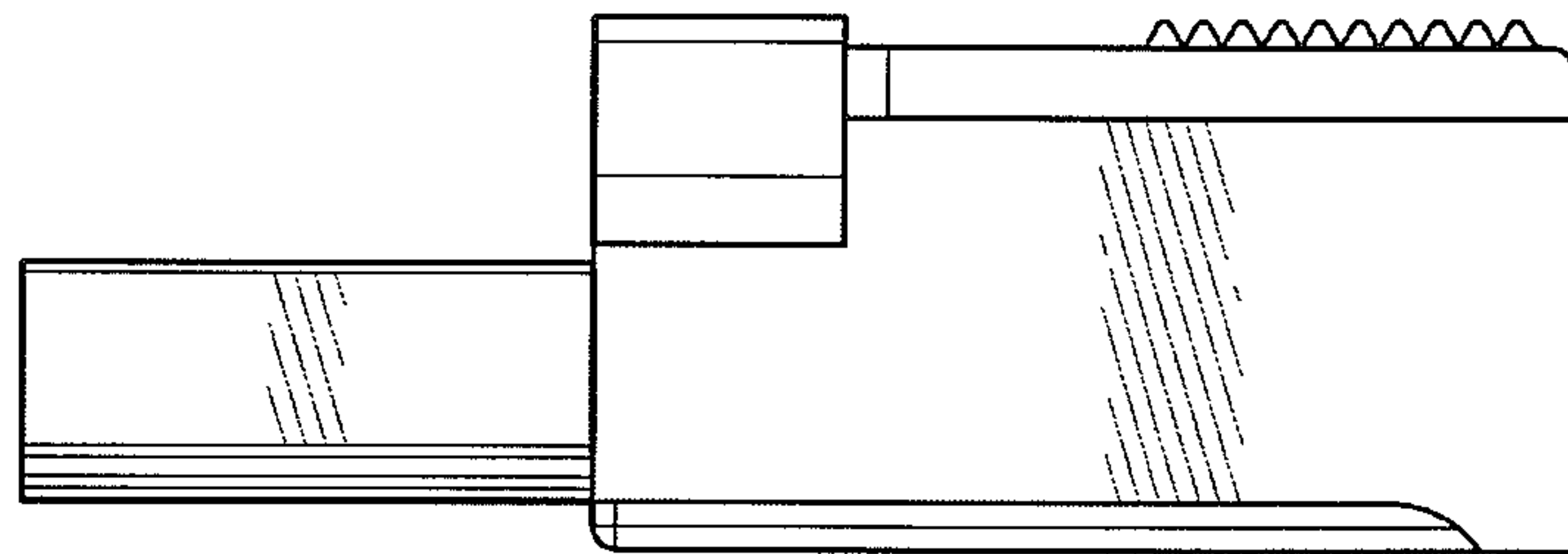


FIG. 12

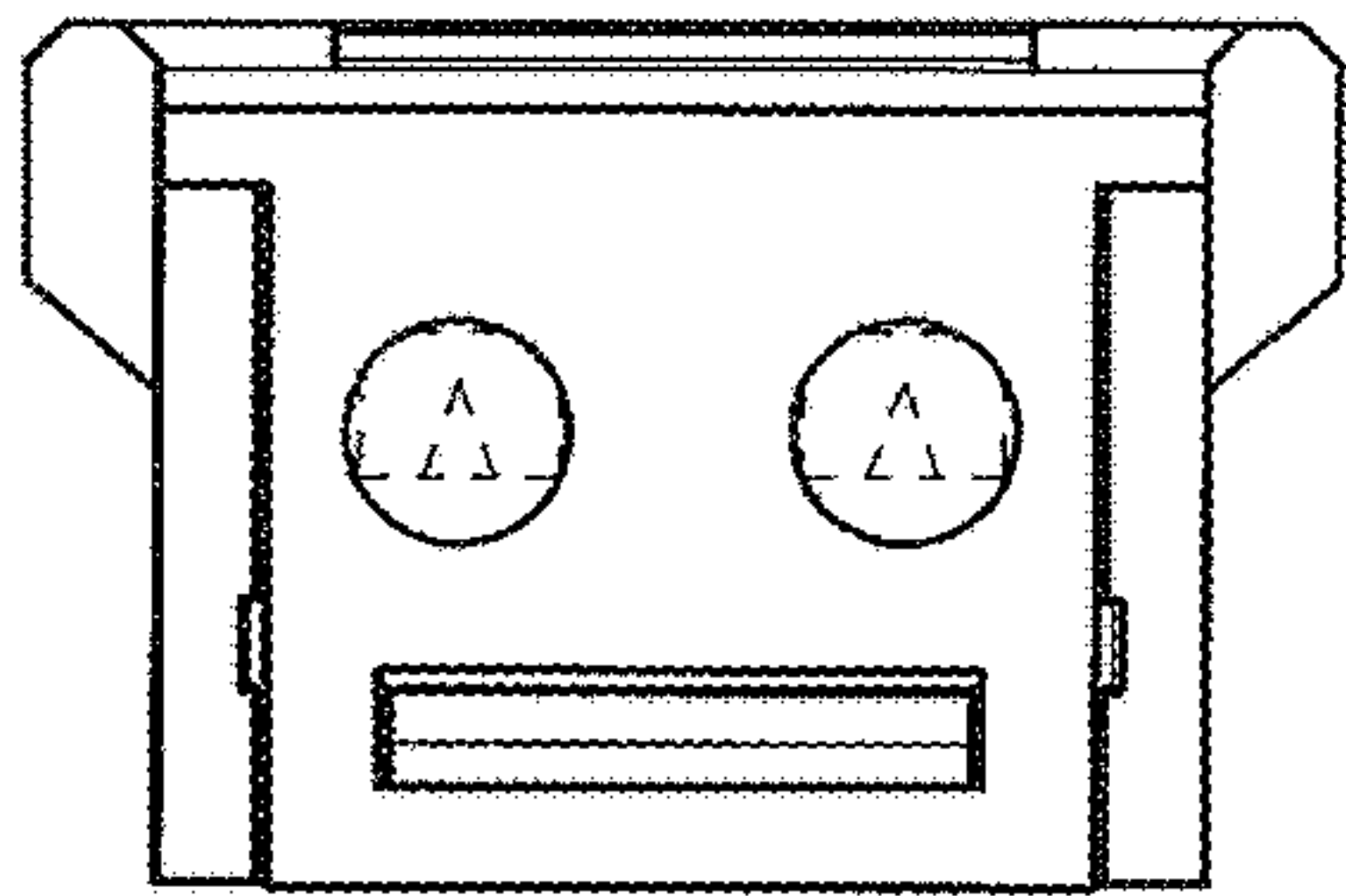


FIG. 13

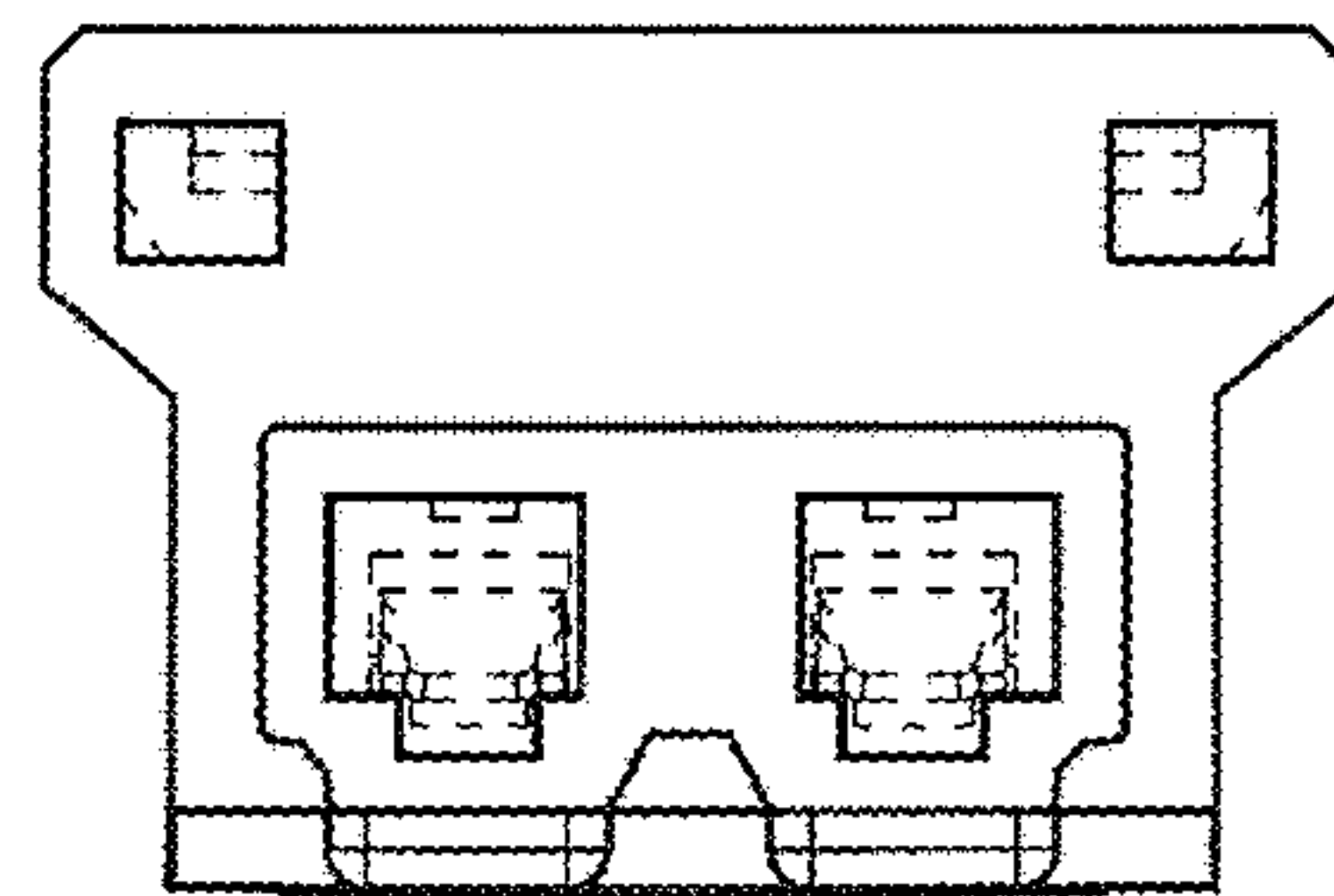


FIG. 14

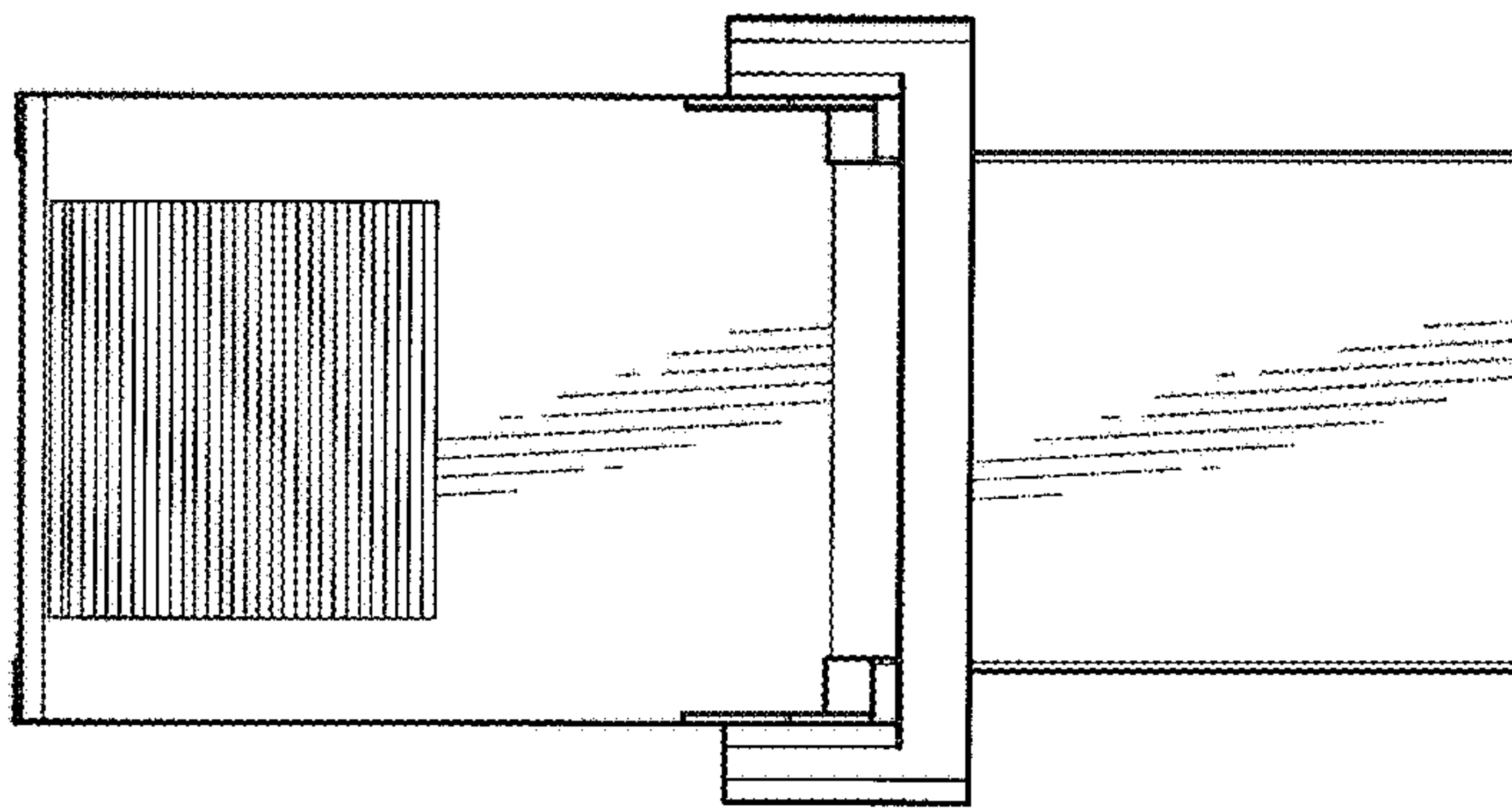


FIG. 15

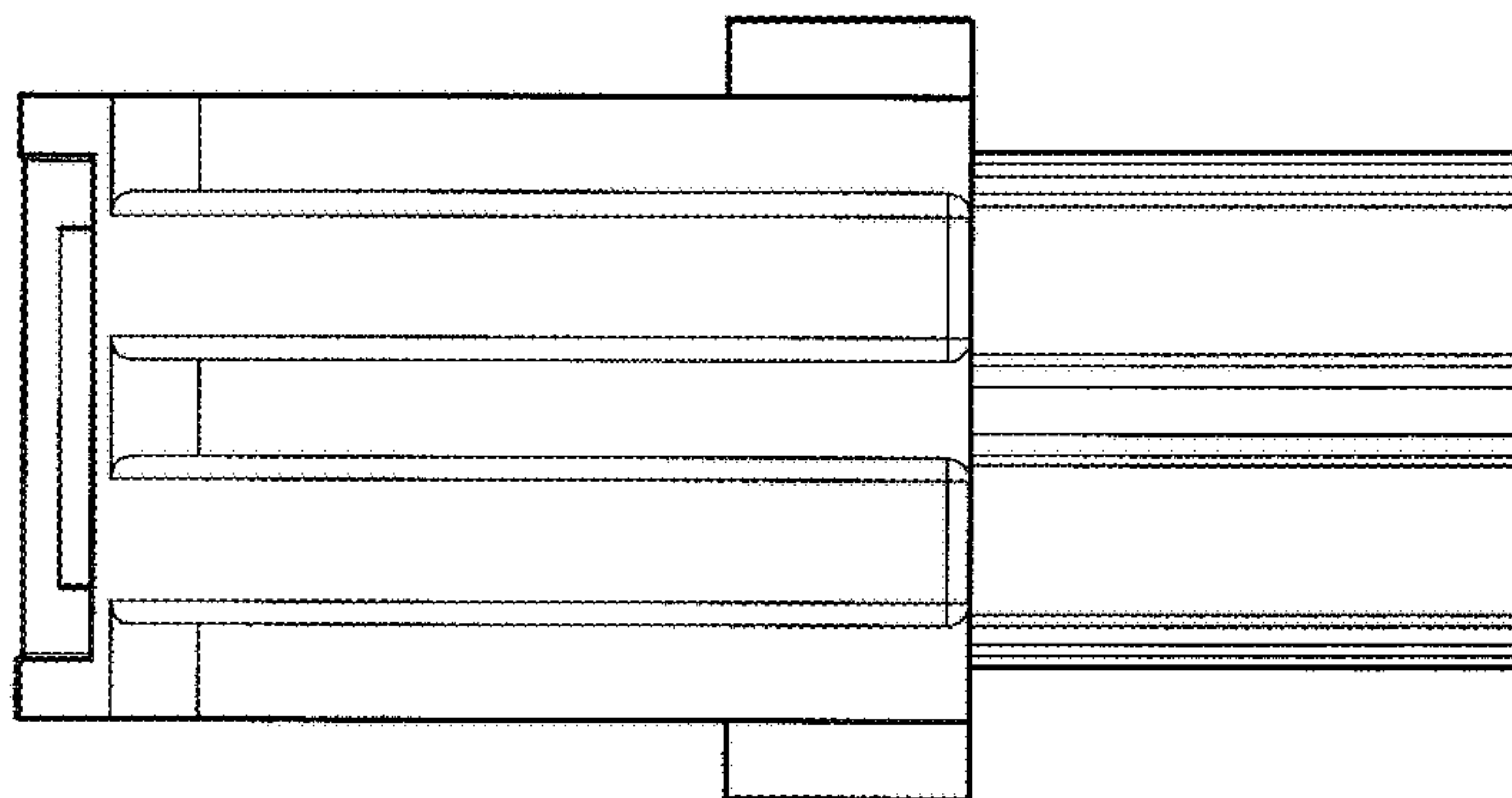


FIG. 16

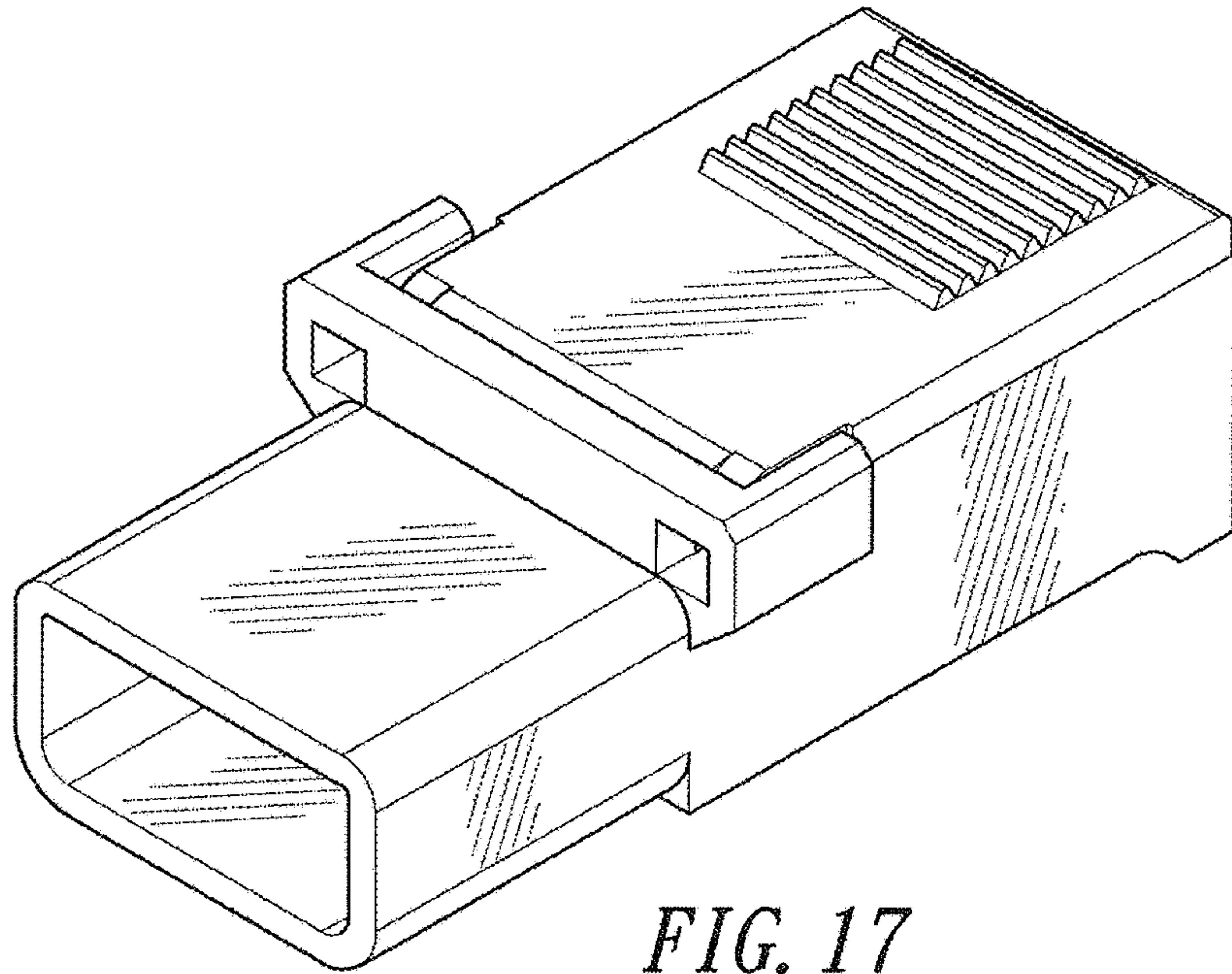


FIG. 17

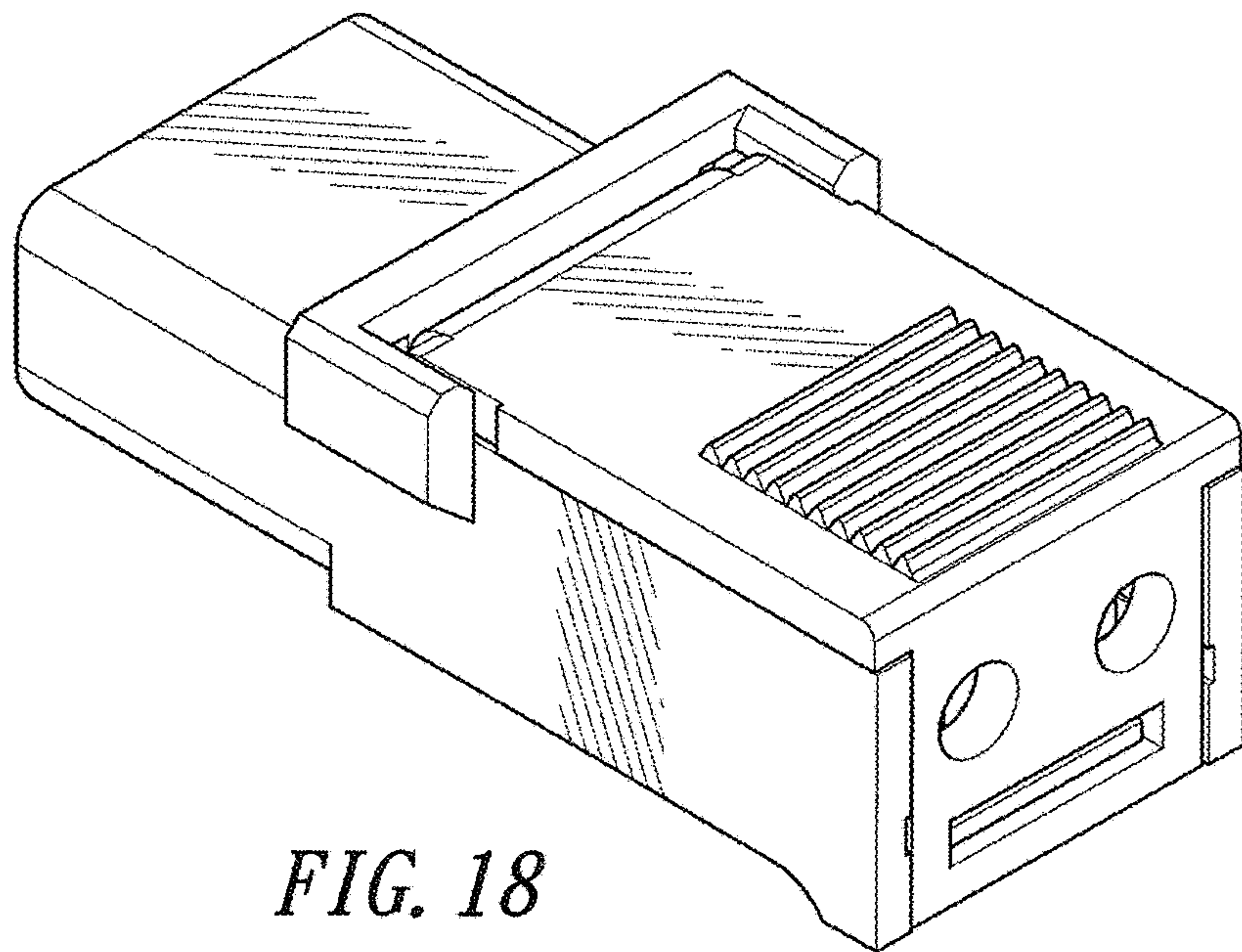


FIG. 18

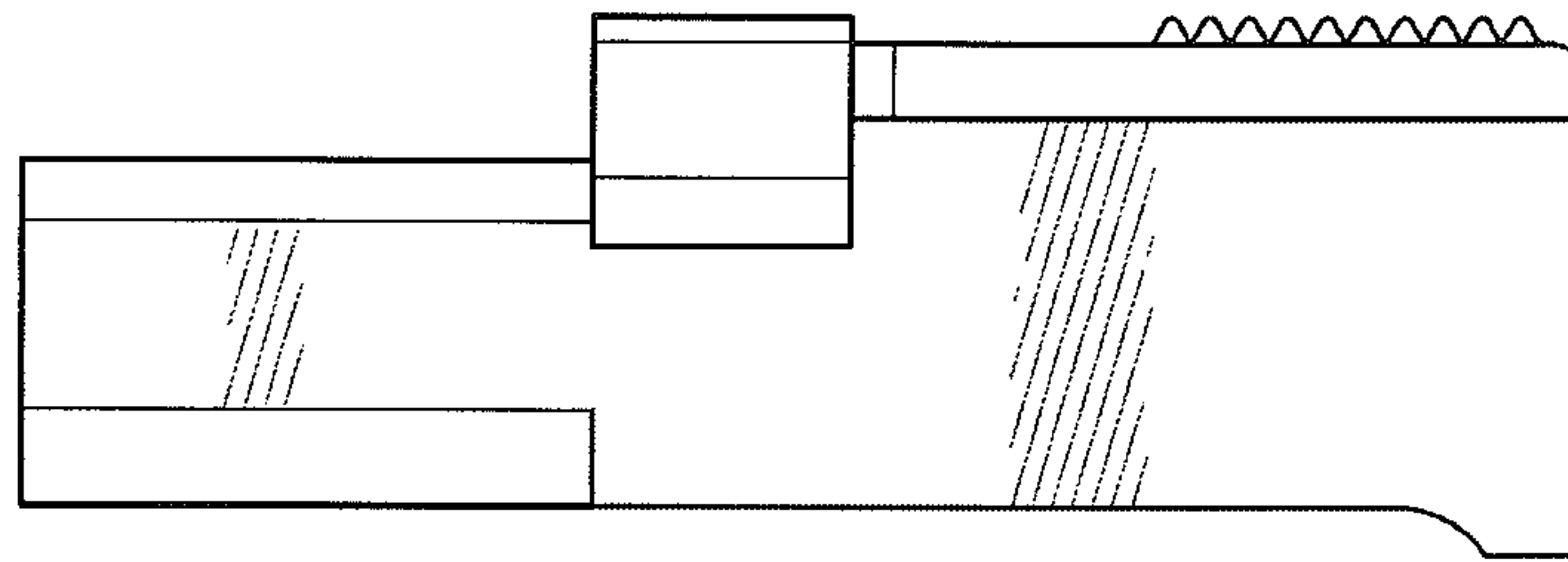


FIG. 19

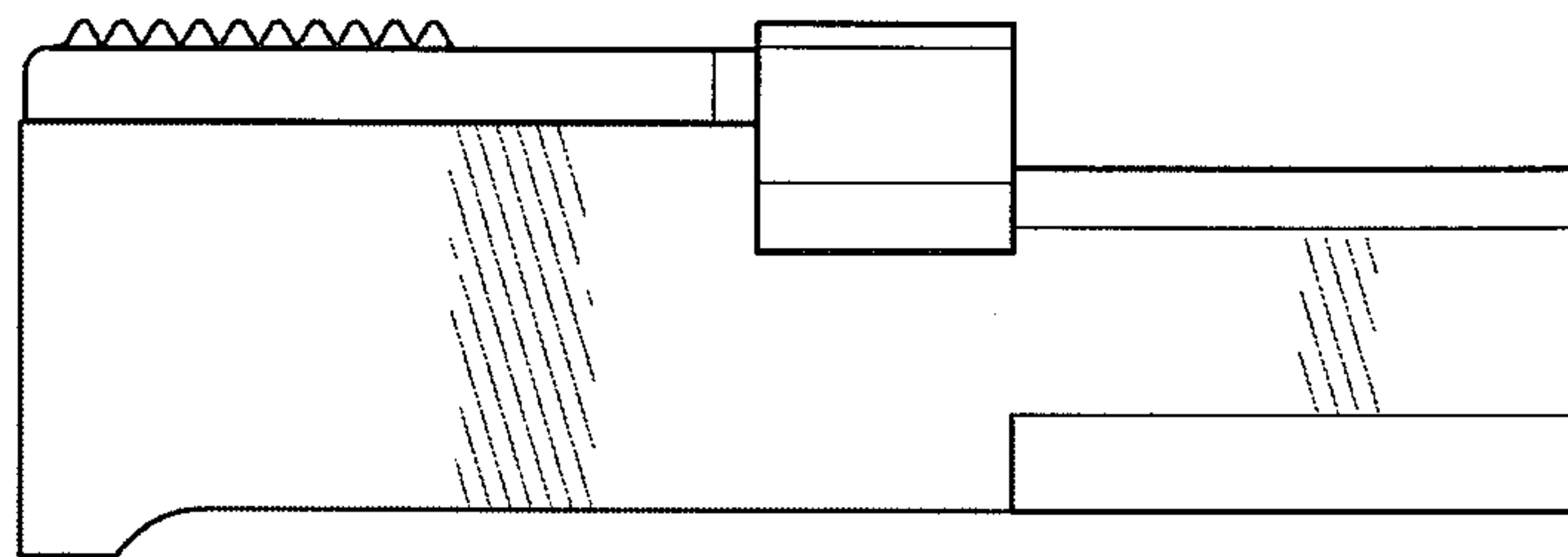


FIG. 20

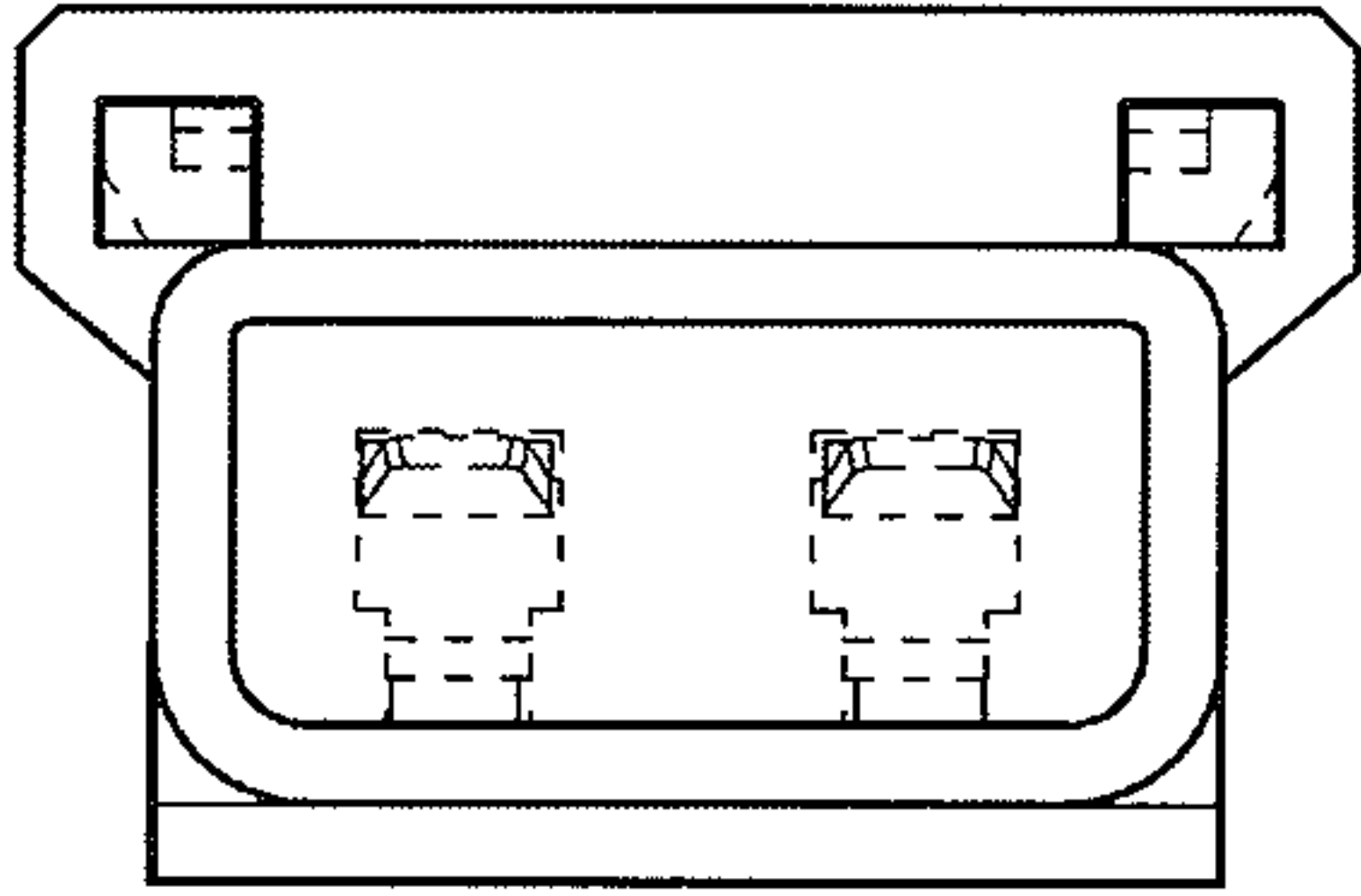


FIG. 21

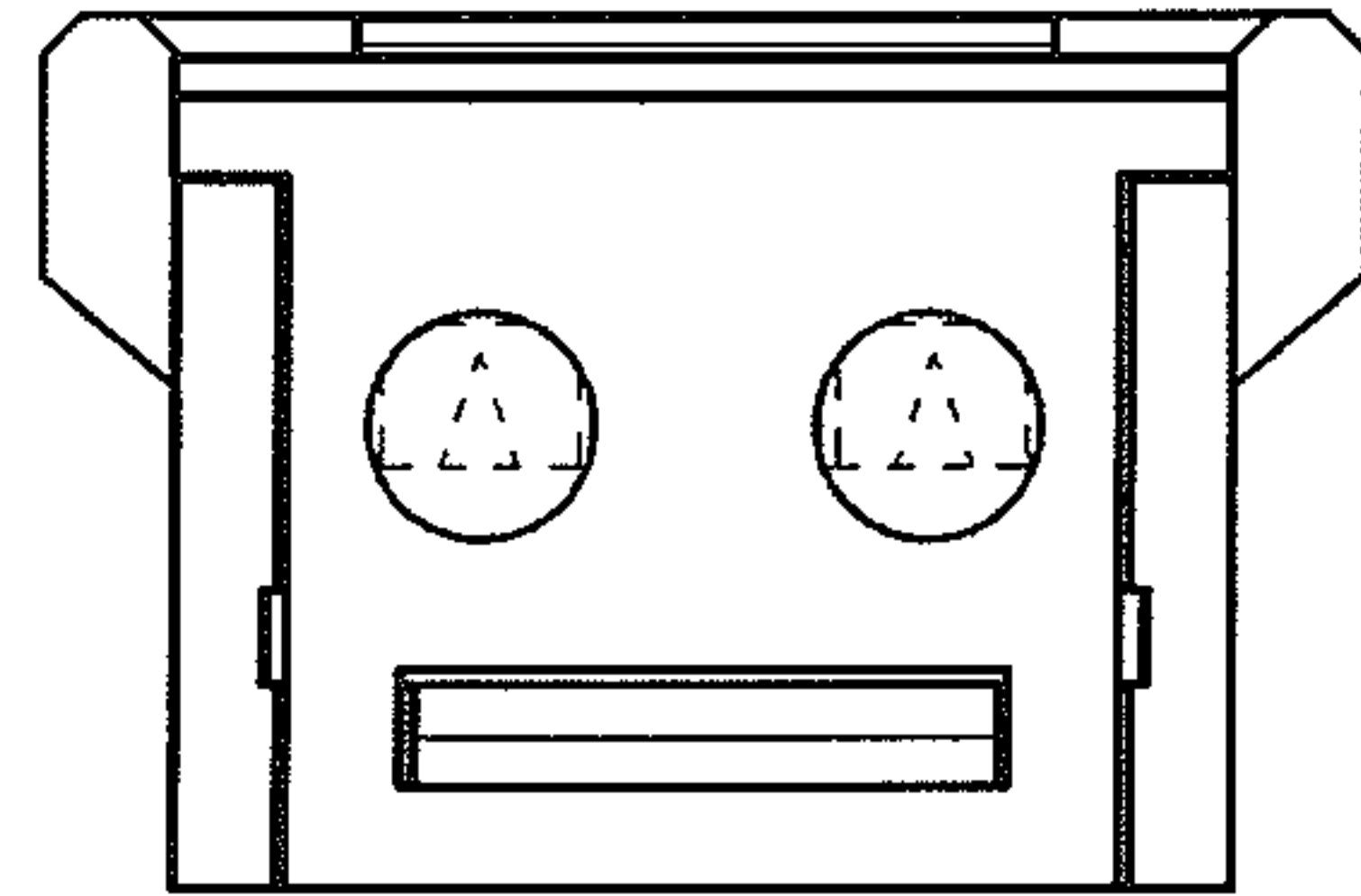


FIG. 22

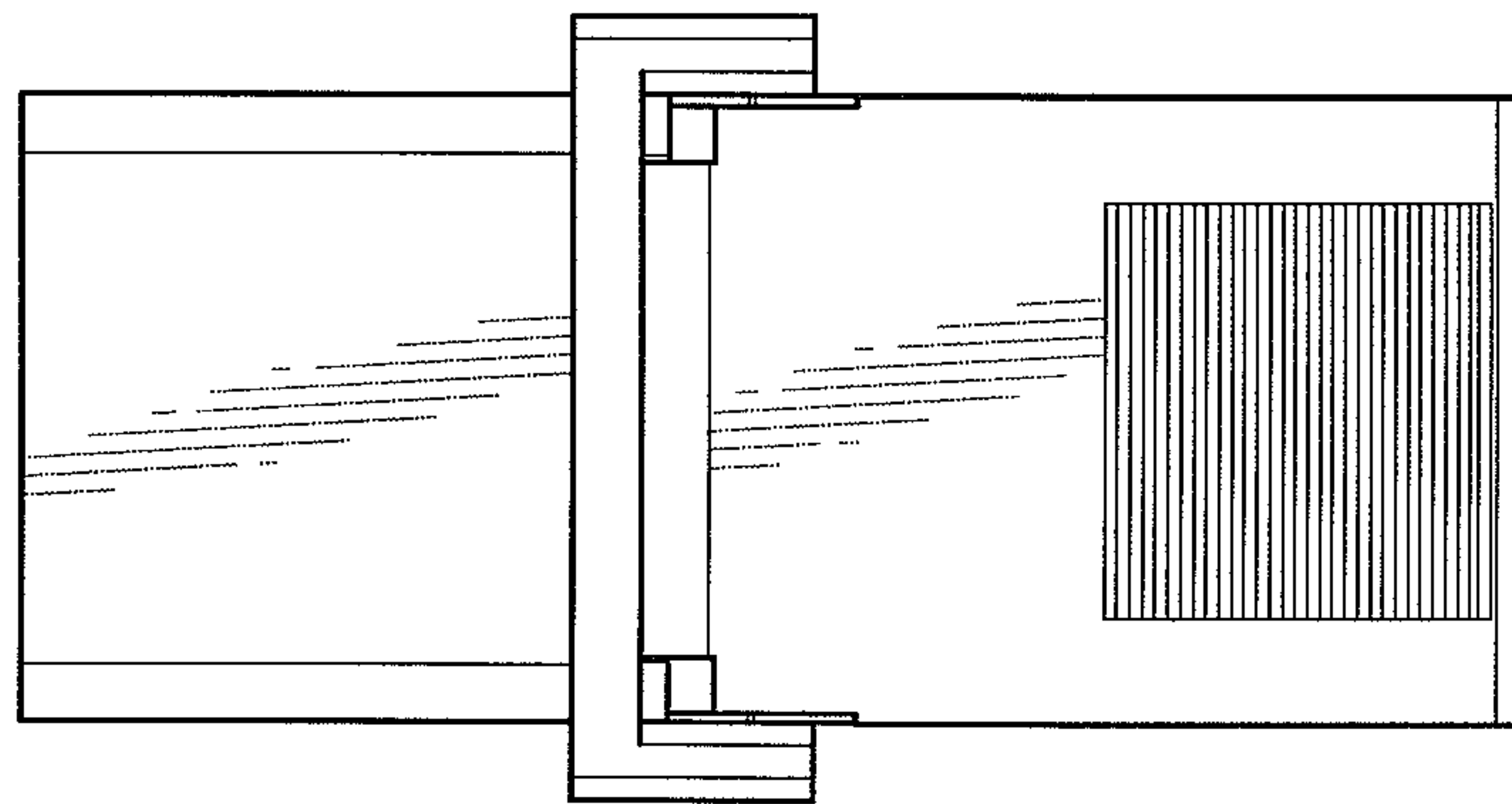


FIG. 23

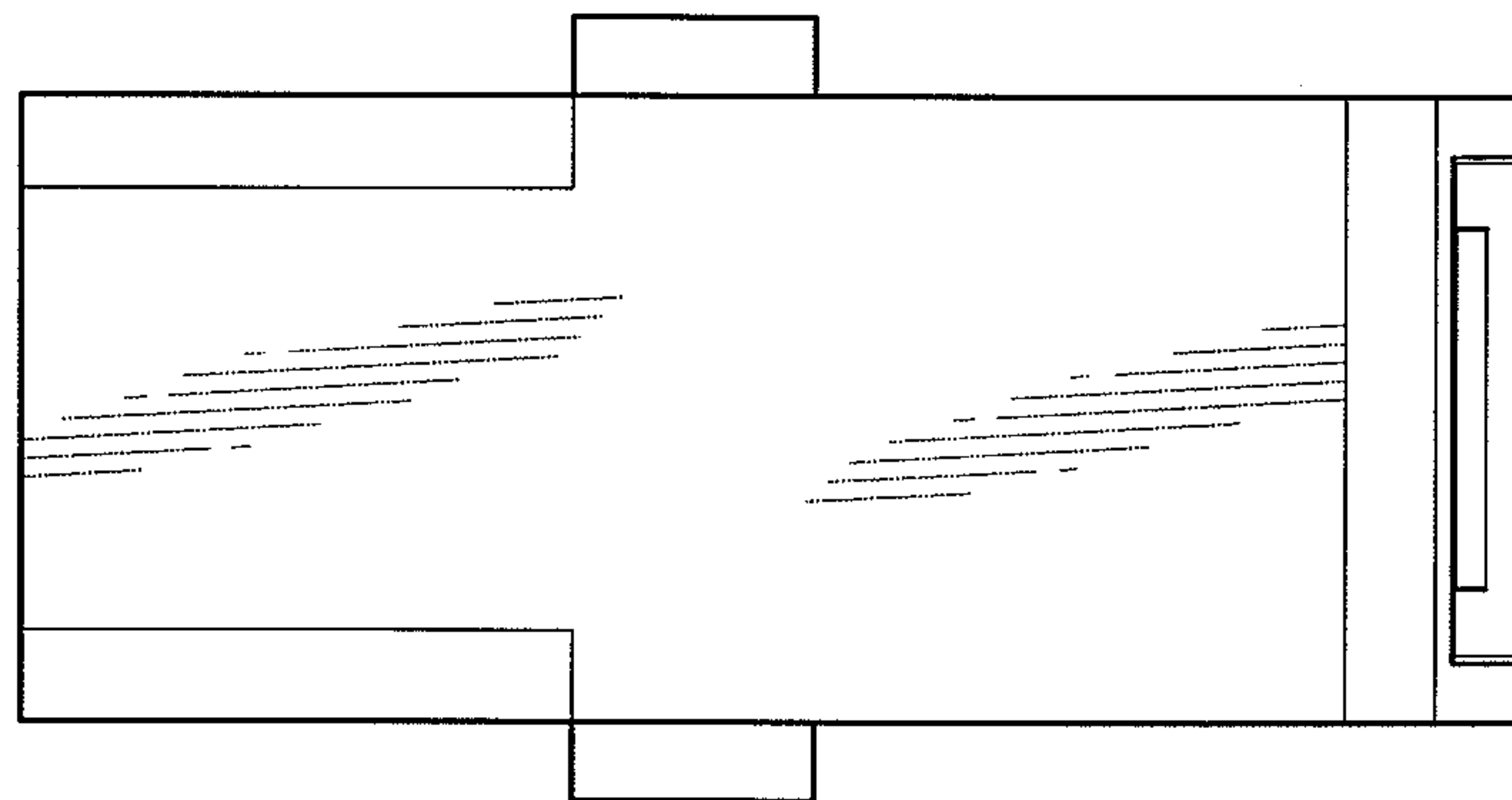


FIG. 24