



US00D798235S

(12) **United States Design Patent**
Dominguez

(10) **Patent No.:** **US D798,235 S**
(45) **Date of Patent:** **** Sep. 26, 2017**

(54) **UNIVERSAL CIRCUIT BREAKER INTERLOCK**
(71) Applicant: **Armando Dominguez**, Miami, FL (US)
(72) Inventor: **Armando Dominguez**, Miami, FL (US)
(**) Term: **15 Years**
(21) Appl. No.: **29/620,300**
(22) Filed: **Sep. 29, 2016**
(51) **LOC (10) Cl.** **13-01**
(52) **U.S. Cl.**
USPC **D13/118; D13/175**
(58) **Field of Classification Search**
USPC D13/101, 118, 120, 121, 159, 160, 173, D13/174, 175, 199; 307/23, 64, 115, 307/125, 126, 130, 139, 141; 361/624, 361/631, 634, 641, 656; 200/50.32, 200/50.33, 50.4, 50.03, 50.05, 50.06
CPC .. H01H 9/20; H01H 9/22; H01H 9/26; H01H 9/28; H01H 9/281; H01H 9/286; H01H 3/00; H01H 23/00; H01H 23/10; H01H 71/04
See application file for complete search history.

(56) **References Cited**
U.S. PATENT DOCUMENTS
4,176,782 A * 12/1979 Fukuda G06K 7/087 235/449
D331,390 S * 12/1992 Weinstein D13/173
6,043,439 A * 3/2000 Crooks H01H 9/26 200/50.32
6,617,533 B1 * 9/2003 Lawson H01H 9/26 200/50.32

6,861,596 B2 * 3/2005 Schnackenberg H01H 9/26 200/43.01
D562,266 S * 2/2008 Schnackenberg D13/175
7,446,270 B2 * 11/2008 Somalingayya H01H 9/26 200/50.32
7,462,791 B1 * 12/2008 Flegel H01H 9/26 200/50.32
D605,116 S * 12/2009 Heichal D13/118
8,269,120 B1 * 9/2012 Flegel H01H 9/26 200/43.11
2008/0190747 A1 * 8/2008 Carson H01H 9/22 200/50.1

* cited by examiner

Primary Examiner — Derrick Holland

(57) **CLAIM**

The ornamental design for a universal circuit breaker interlock, as shown and describes.

DESCRIPTION

Application Ser. No. 29/474,686, granted on Oct. 27, 2015. U.S. Pat. No. D.741,798 S
FIG. 1 is a perspective view of a universal circuit breaker interlock showing my new design;
FIG. 2 is an exploded perspective view thereof;
FIG. 3 is a second exploded perspective view thereof;
FIG. 4 is a perspective view thereof, shown in environmental use; and,
FIG. 5 is a second perspective view thereof, shown in environmental use.
The broken lines shown represent unclaimed subject matter and form no part of the claimed design.

1 Claim, 2 Drawing Sheets

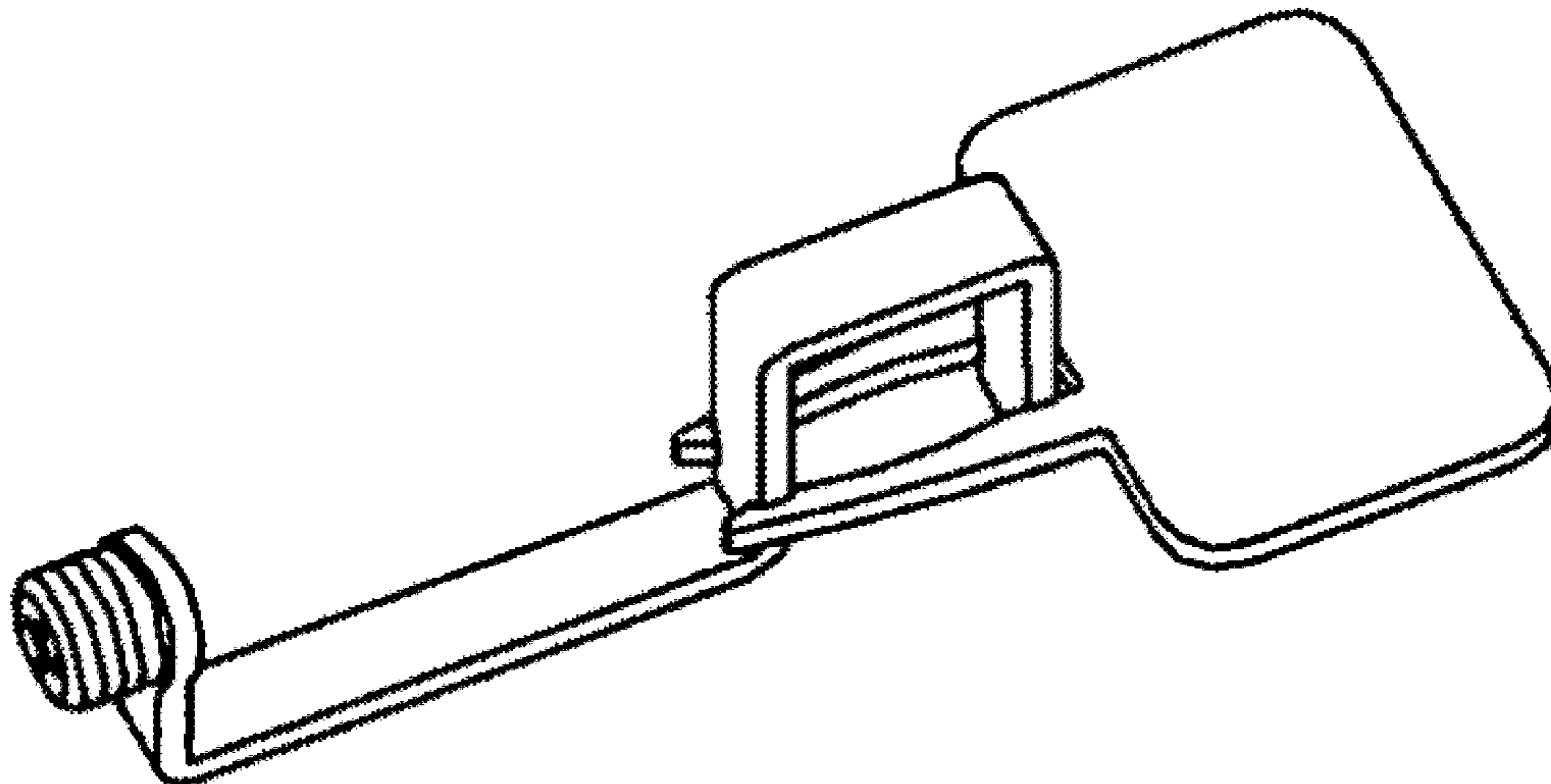


FIG 1

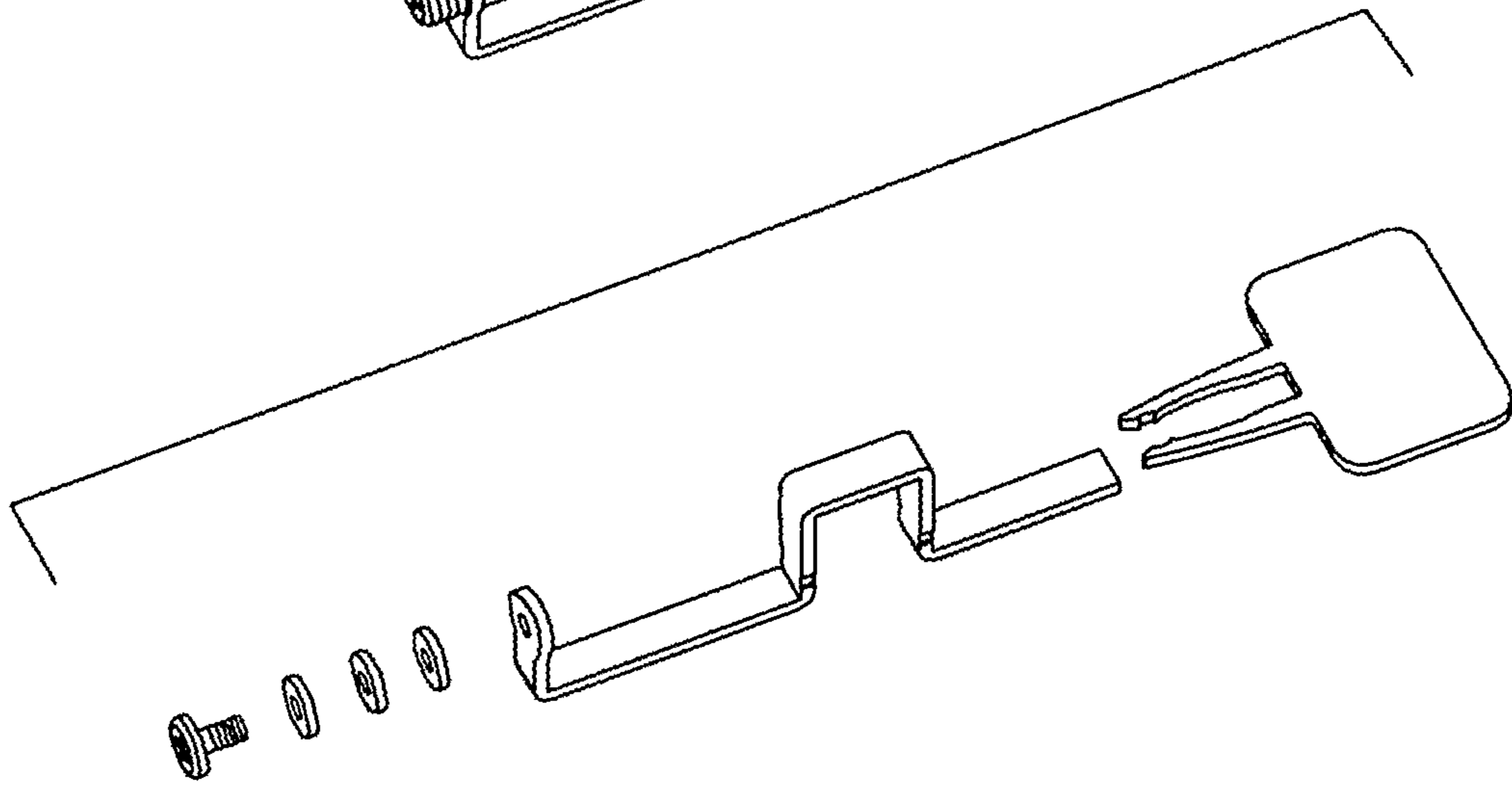
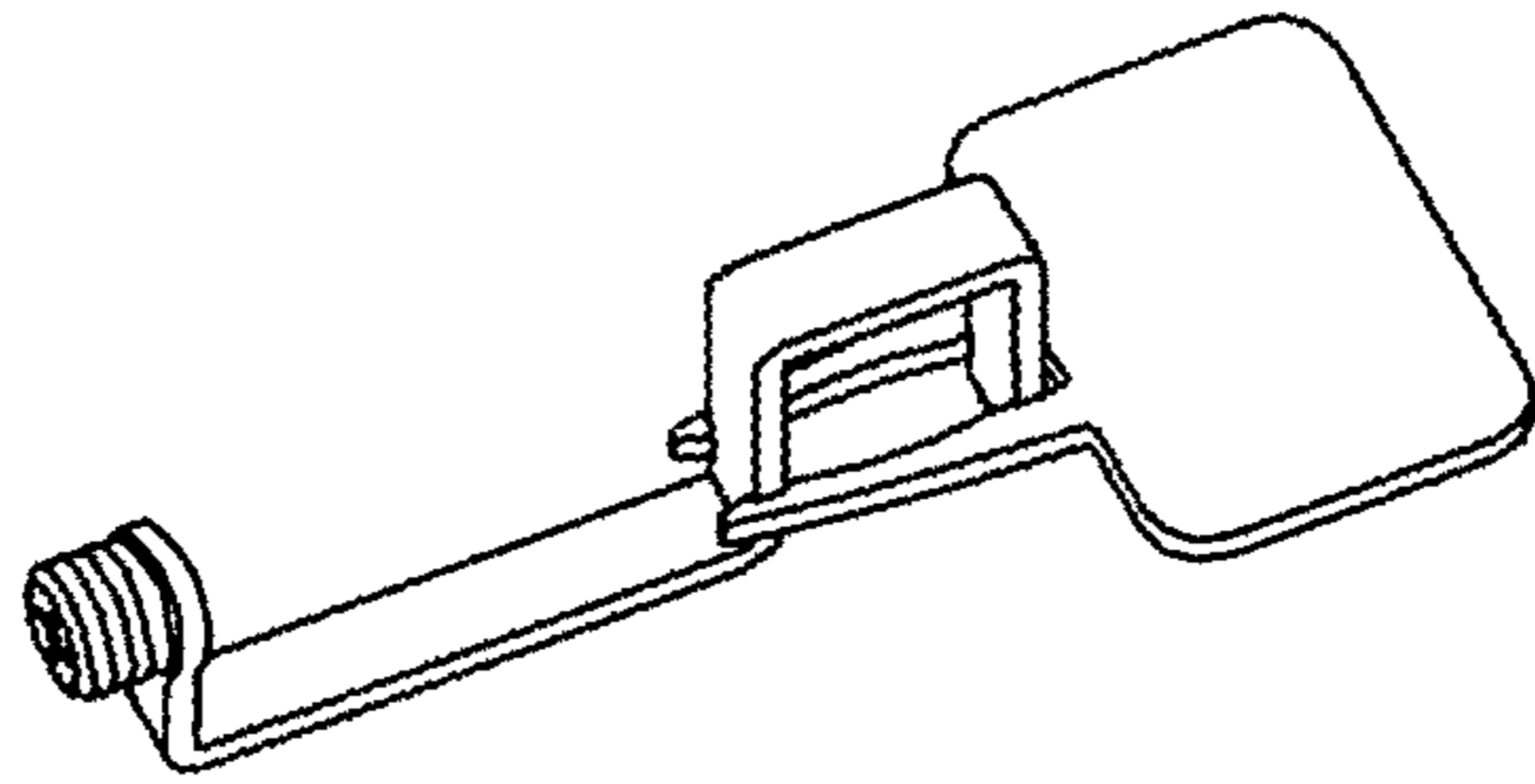


FIG 2

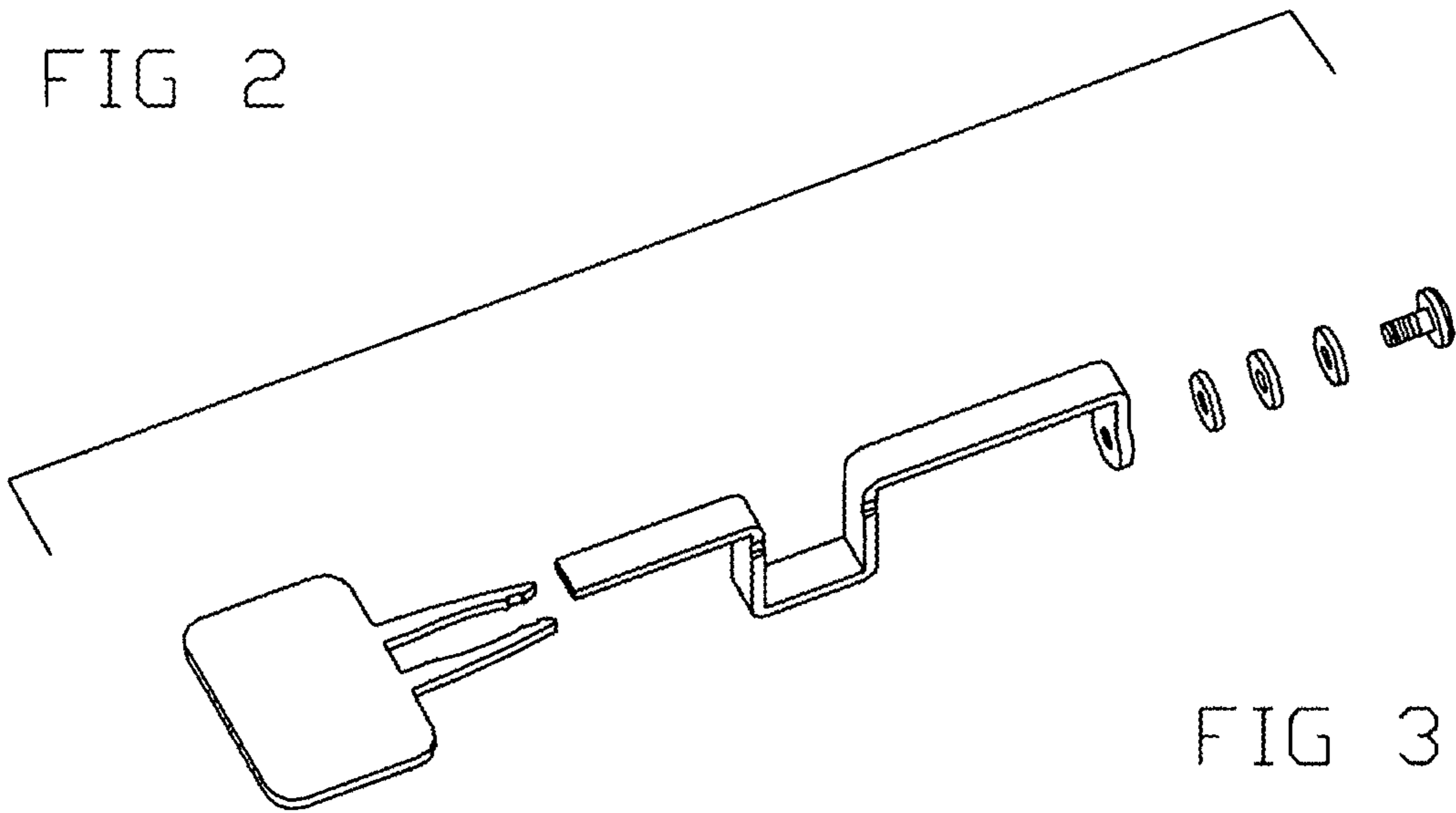


FIG 3

FIG 4

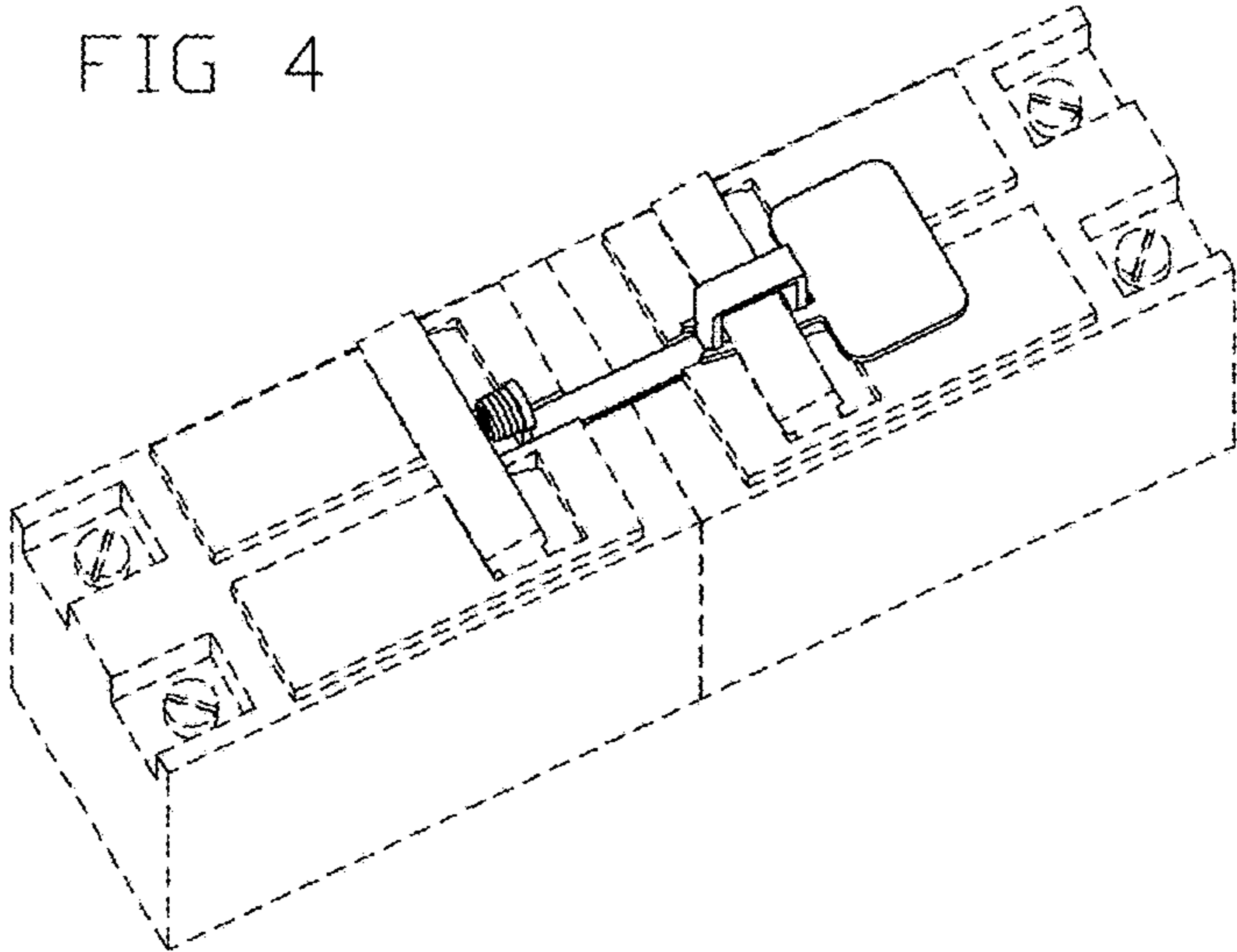


FIG 5

