

US00D798234S

(12) **United States Design Patent**
Bryant

(10) **Patent No.:** **US D798,234 S**

(45) **Date of Patent:** **** Sep. 26, 2017**

(54) **AC-DC POWER-OVER-ETHERNET POWER SUPPLY**

(71) Applicant: **Michael E. Bryant**, Naperville, IL (US)

(72) Inventor: **Michael E. Bryant**, Naperville, IL (US)

(**) Term: **15 Years**

(21) Appl. No.: **29/541,586**

(22) Filed: **Oct. 6, 2015**

(51) **LOC (10) Cl.** **13-02**

(52) **U.S. Cl.**
USPC **D13/110**

(58) **Field of Classification Search**
USPC D13/101, 103, 107, 108, 110, 118, 119,
D13/123, 133, 137.1, 184, 199; D14/240,
D14/251, 356, 358, 432, 433, 434;
307/11, 150, 151; 361/142, 363, 679.01;
363/146; 439/131

CPC H02M 1/10; H01M 10/46; H02J 13/0096;
H02J 7/00; H02J 7/0042; H02J 7/0047;
H02J 9/00

See application file for complete search history.

(56) **References Cited**

U.S. PATENT DOCUMENTS

D423,452 S *	4/2000	Fujisawa	D13/110
D424,528 S *	5/2000	Dernehl	D13/110
D491,523 S *	6/2004	Chi	D13/110
D503,679 S *	4/2005	Andre	D13/110
D559,178 S *	1/2008	Ashida	D13/110

D568,814 S *	5/2008	Hung	D13/123
D585,852 S *	2/2009	Chen	D13/184
D632,650 S *	2/2011	Rashid	D13/110
D662,052 S *	6/2012	Rucareanu	D13/110
D665,348 S *	8/2012	Ledbetter	D13/110
8,541,985 B1 *	9/2013	Wong	G06F 1/1632 320/112
D693,767 S *	11/2013	Zaslavsky	D13/110
D696,626 S *	12/2013	Jacobs	D13/110
D702,184 S *	4/2014	Jacobs	D13/110
D705,719 S *	5/2014	Wong	D13/103

* cited by examiner

Primary Examiner — Derrick Holland

(74) *Attorney, Agent, or Firm* — Dunlap Bennett & Ludwig PLLC

(57) **CLAIM**

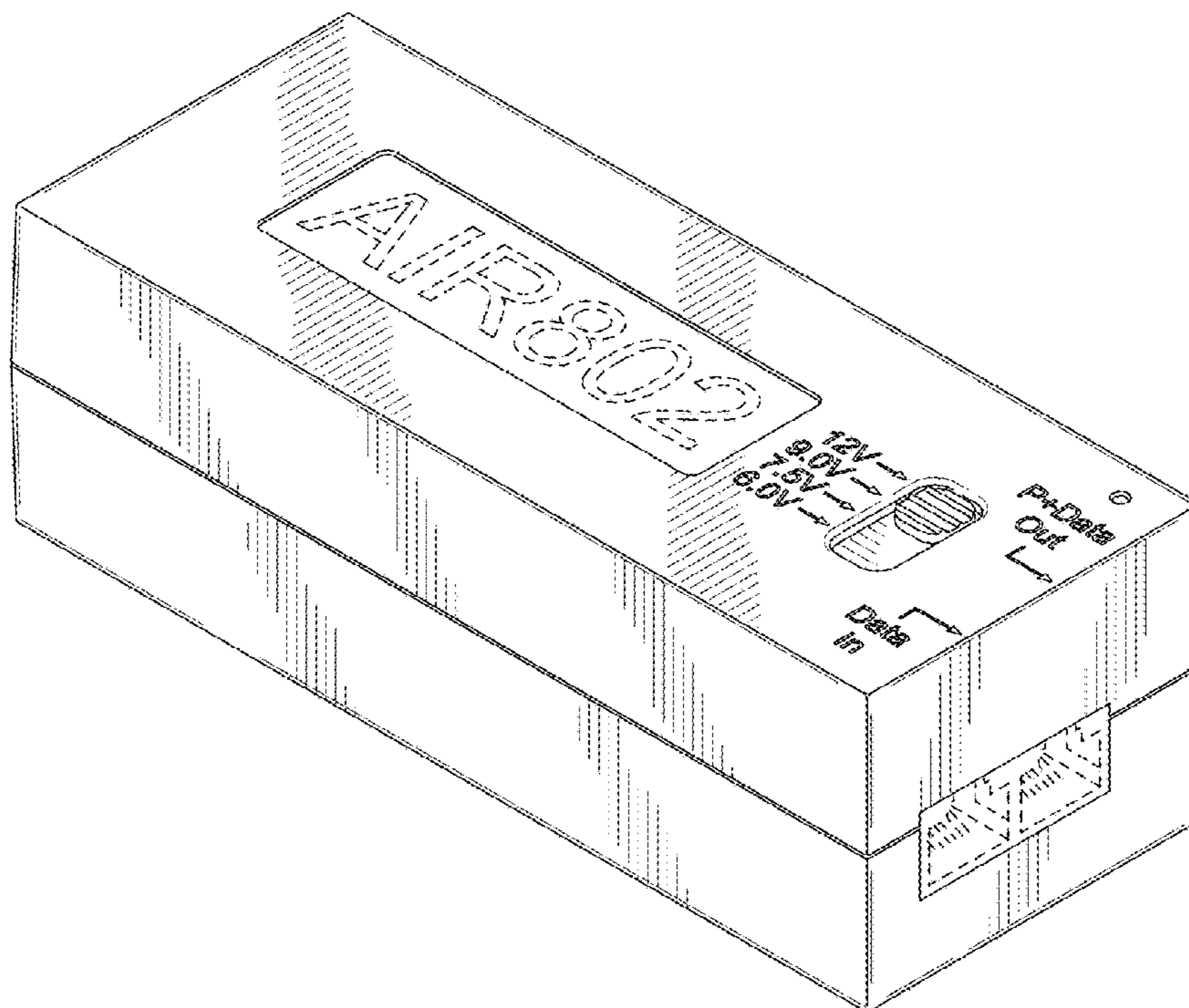
The ornamental design for an AC-DC power-over-ethernet power supply, as shown and described.

DESCRIPTION

FIG. 1 is a top front perspective view of an AC-DC power-over-ethernet power supply;
FIG. 2 is a top plan view thereof;
FIG. 3 is a bottom plan view thereof;
FIG. 4 is a left elevation view thereof;
FIG. 5 is a right elevation view thereof; and,
FIG. 6 is a front elevation view thereof, the rear elevation view being a mirror image.

The broken lines shown in the drawings illustrate portions of the AC-DC power-over-ethernet power supply that form no part of the claimed design.

1 Claim, 3 Drawing Sheets



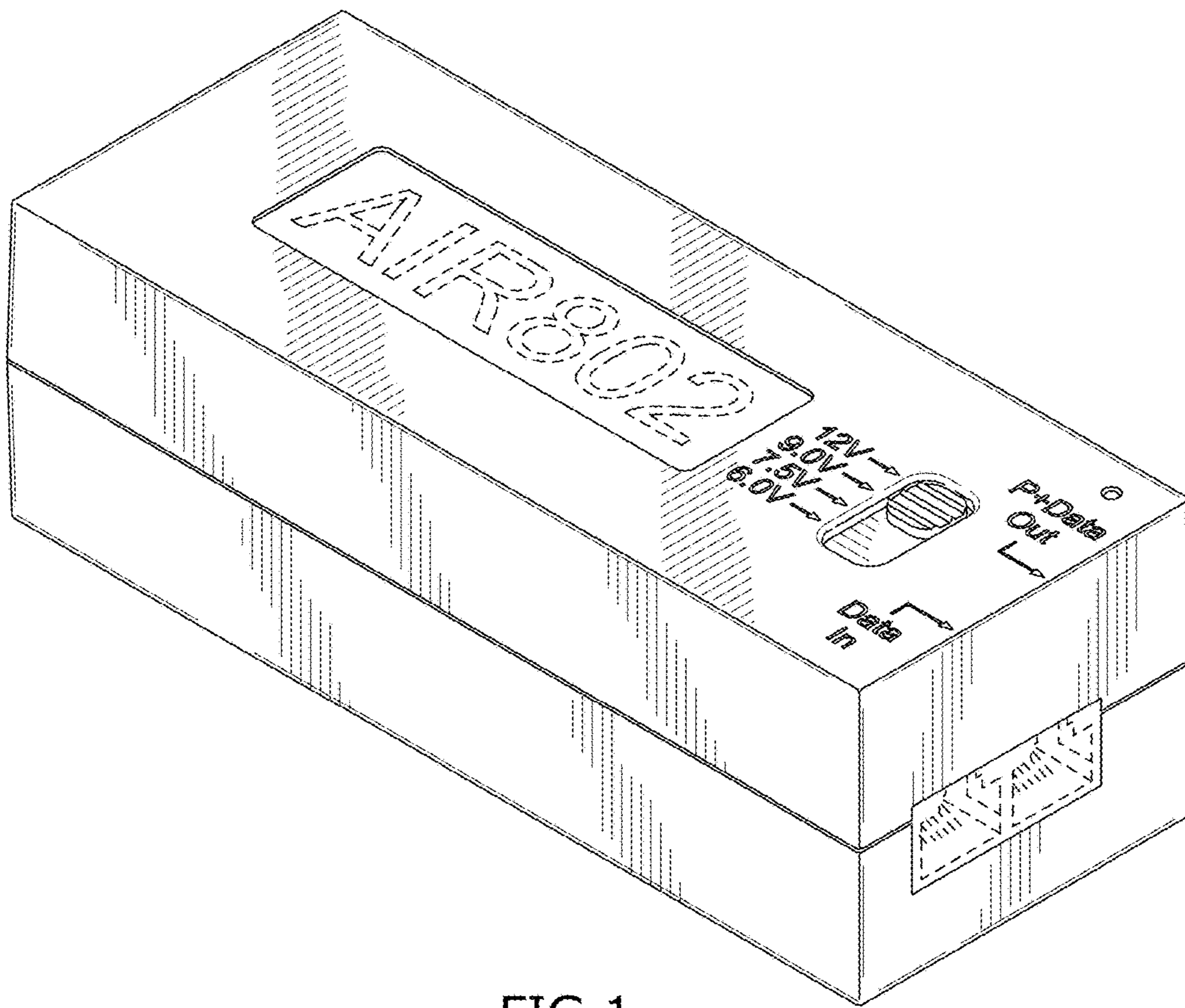


FIG. 1

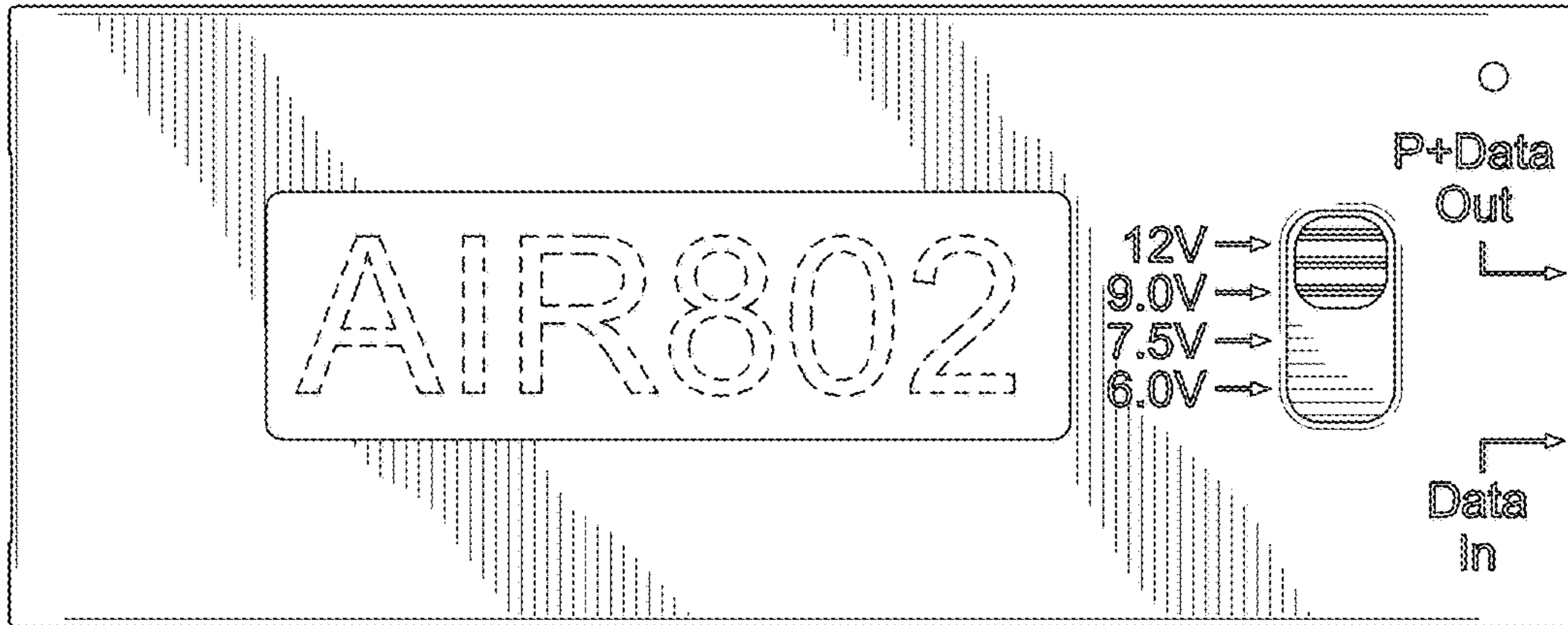


FIG. 2

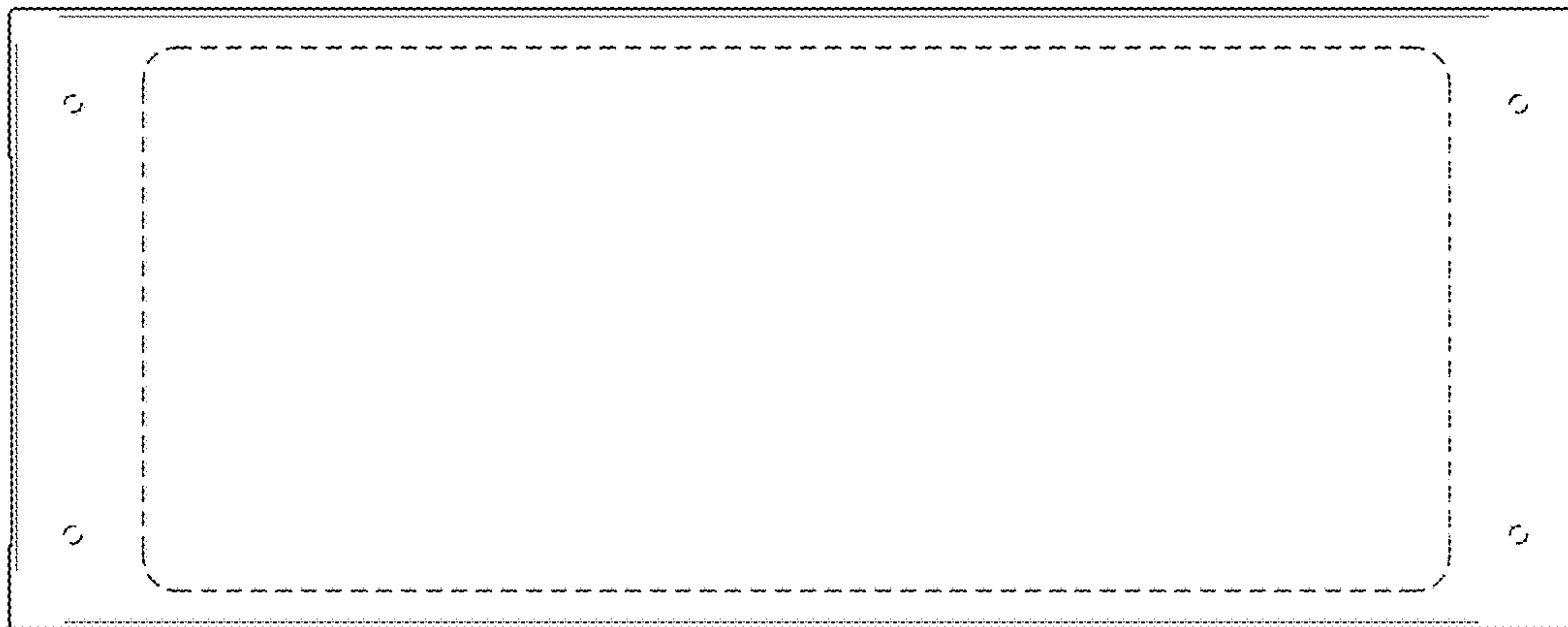


FIG. 3

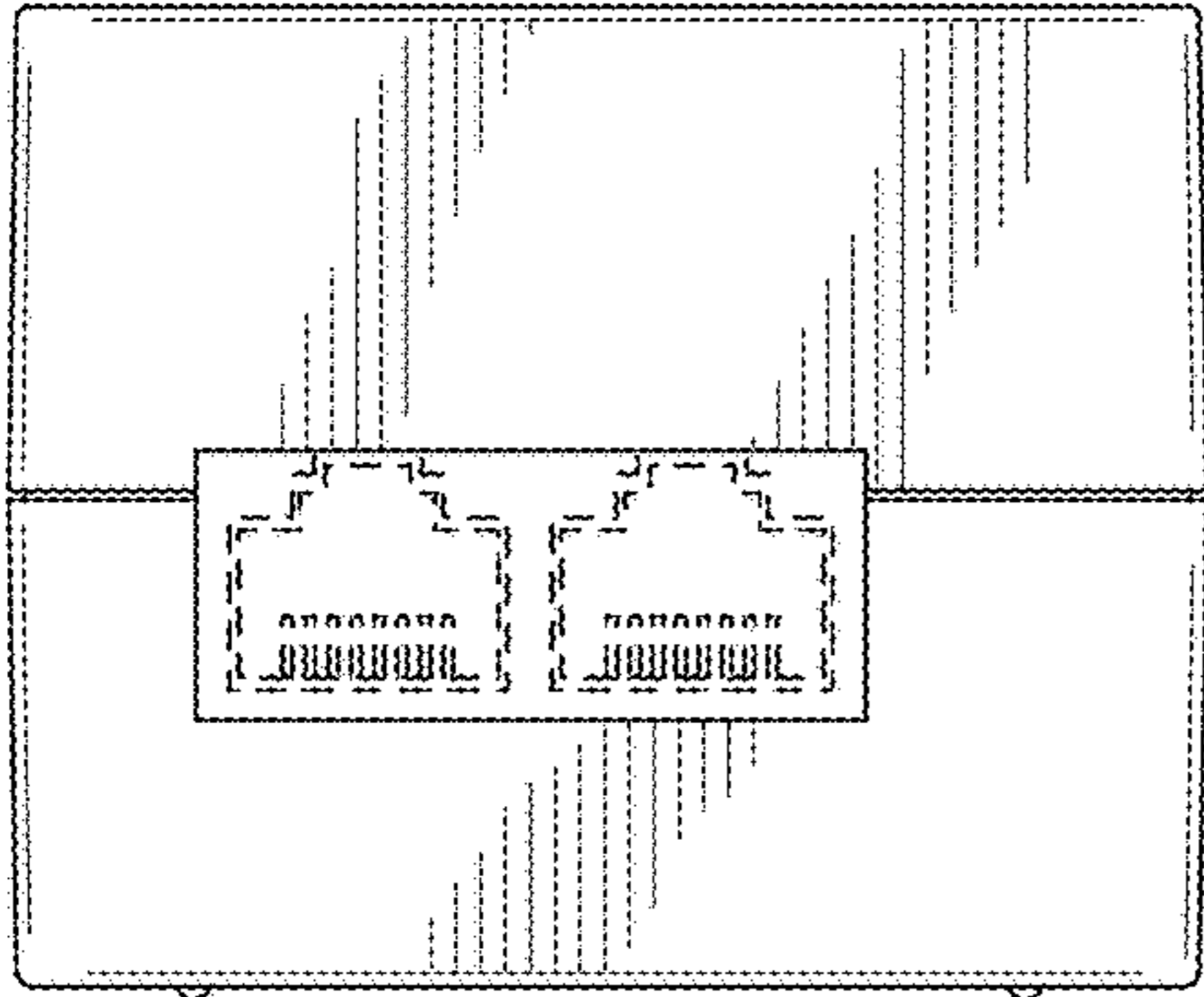


FIG. 4

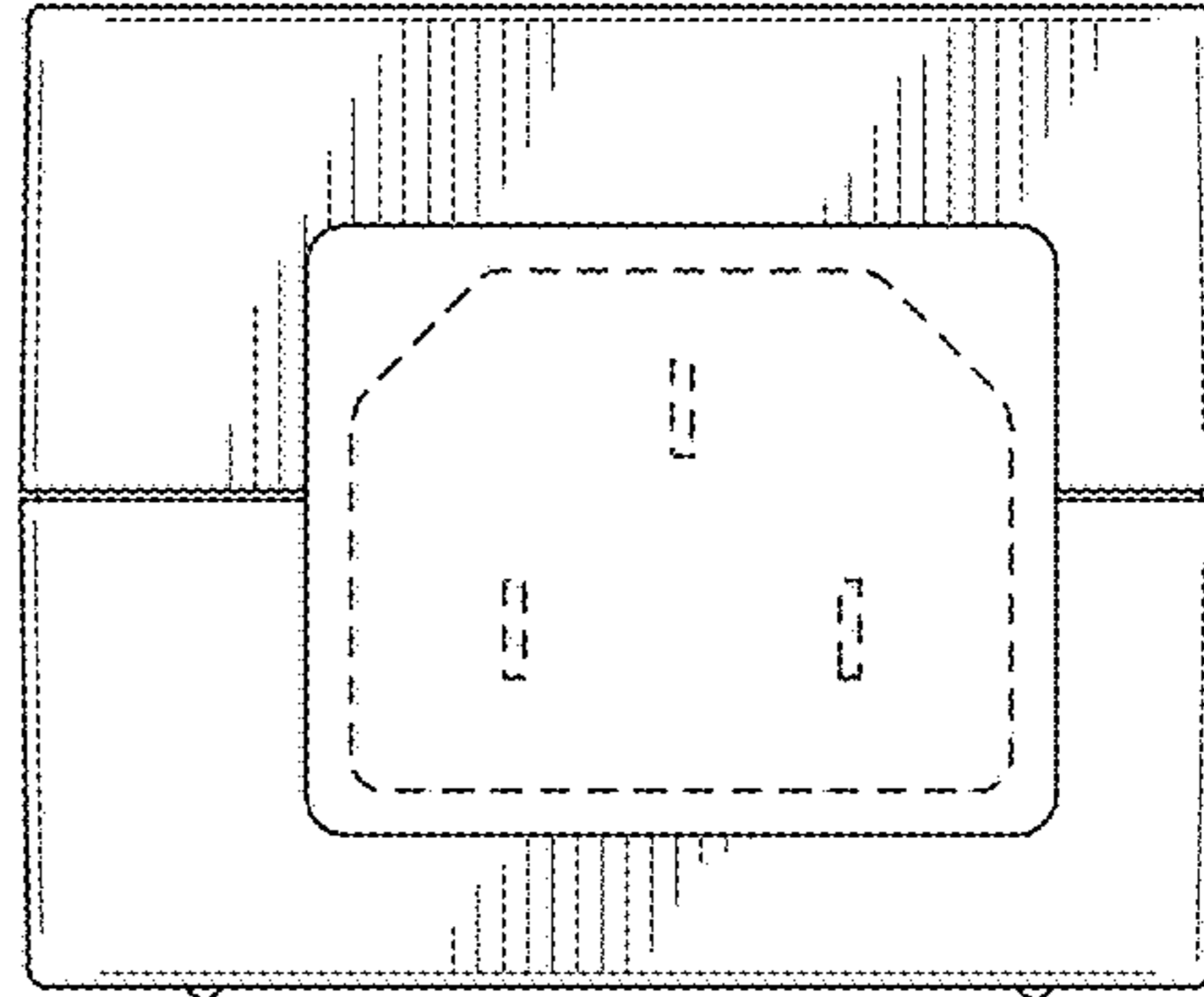


FIG. 5

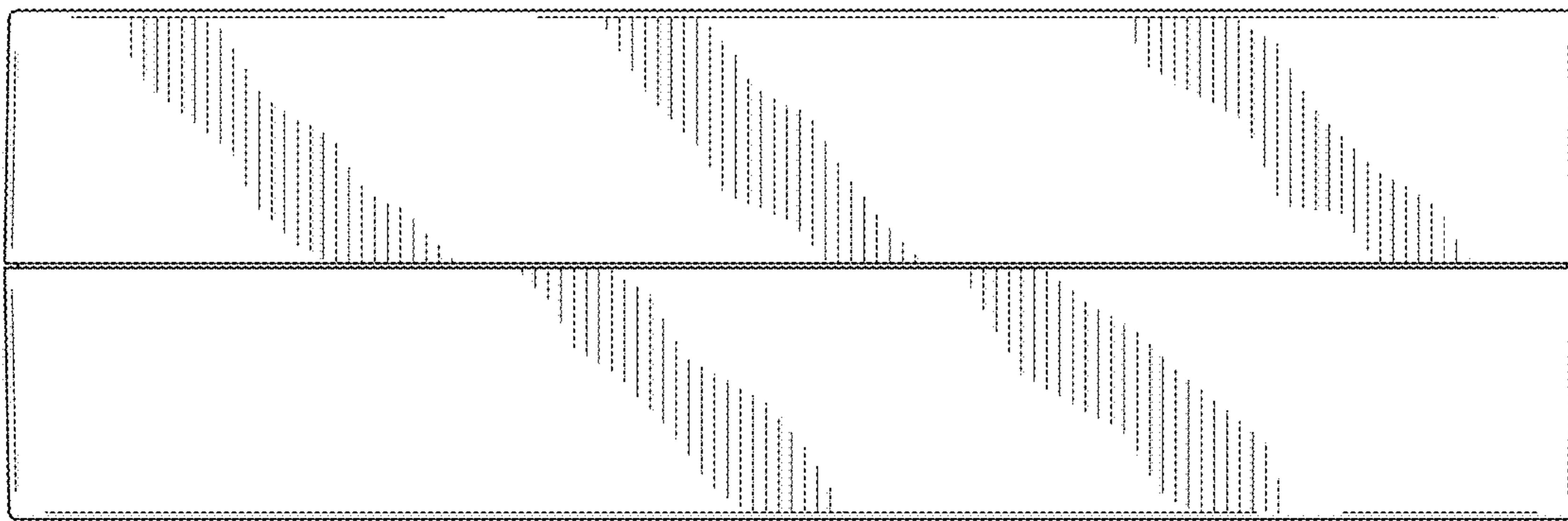


FIG. 6