



US00D798233S

(12) **United States Design Patent** (10) **Patent No.:** **US D798,233 S**
Huang et al. (45) **Date of Patent:** **** Sep. 26, 2017**

(54) **POWER ADAPTER**

(71) Applicant: **OXERER TECHNOLOGIES CO., LTD.**, Taipei (TW)

(72) Inventors: **Po-Chin Huang**, Taipei (TW); **Tzu-Jui Huang**, Taipei (TW)

(73) Assignee: **Po-Chin Huang**, Taipei (TW)

(**) Term: **15 Years**

(21) Appl. No.: **29/547,074**

(22) Filed: **Dec. 1, 2015**

(51) **LOC (10) Cl.** **13-02**

(52) **U.S. Cl.**
USPC **D13/108**

(58) **Field of Classification Search**
 USPC D14/356–358, 383–385, 420, 426, 427,
 D14/432–439, 447, 453, 454, 217, 253,
 D14/299; D13/107, 108, 133, 146, 147,
 D13/152, 153, 154, 156, 158, 162, 162.1,
 D13/168, 173, 177; 439/131, 172–174,
 439/373, 378, 607.41, 607.55, 607.34, 40;
 361/679.08, 679.56, 679.21, 679.4;
 174/359
 CPC H01R 24/64; H01R 24/62; H01R 12/714;
 H01R 13/506; H01R 13/6658

See application file for complete search history.

(56) **References Cited**

U.S. PATENT DOCUMENTS

D627,729 S *	11/2010	Smith	D13/108
D647,476 S *	10/2011	Ciou	D13/110
D692,825 S *	11/2013	Izen	D13/108
D693,764 S *	11/2013	Hok Man	D13/108
D735,130 S *	7/2015	Huang	D13/108
D778,914 S *	2/2017	Huang	D13/110

* cited by examiner

Primary Examiner — Randall Gholson

(74) *Attorney, Agent, or Firm* — Rosenberg, Klein & Lee

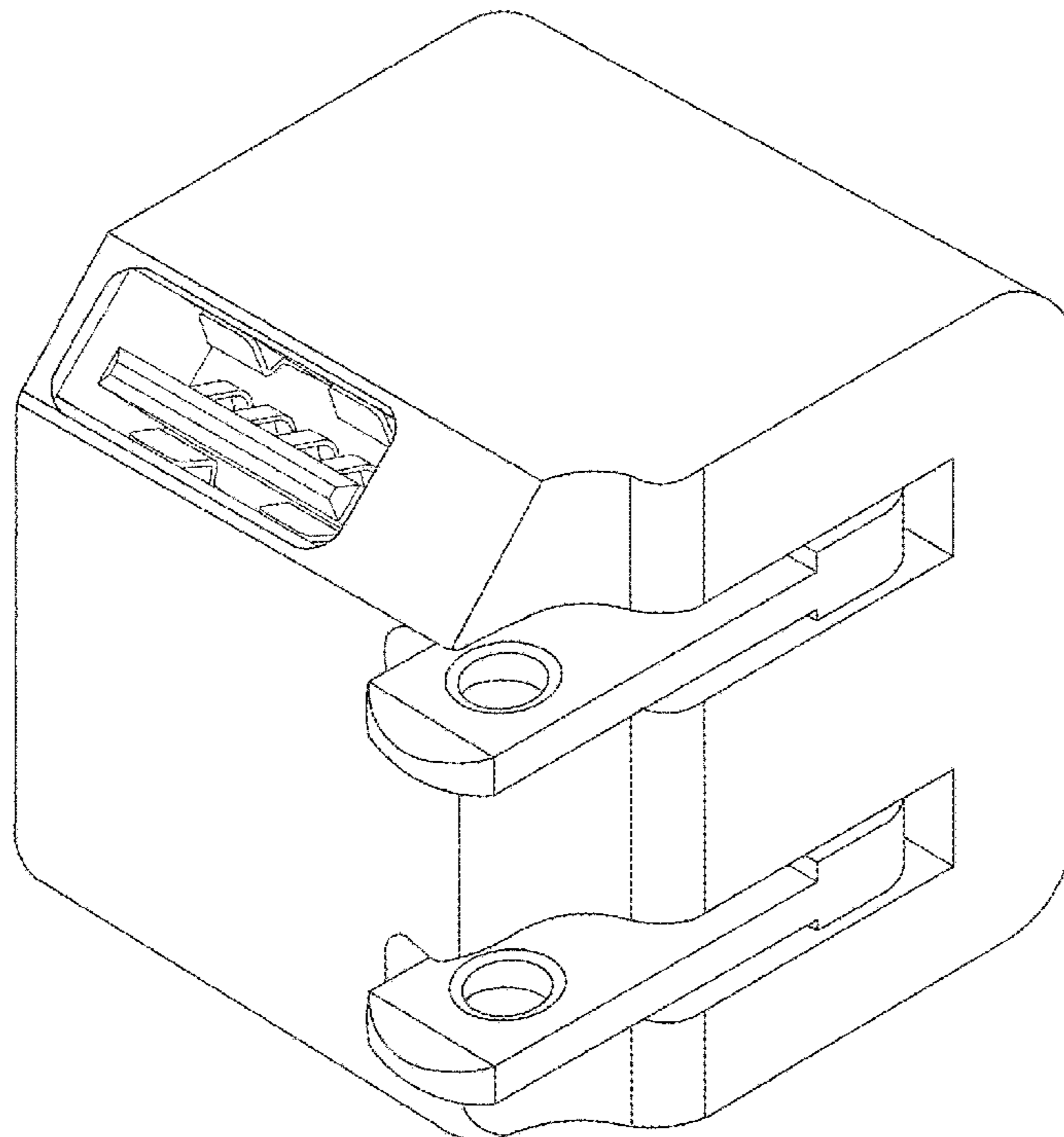
(57) **CLAIM**

What is claimed is the ornamental design for a power adapter, as shown and described.

DESCRIPTION

FIG. 1 is a front, top and right side elevational view of a power adapter figure showing my new design;
 FIG. 2 is a front elevational view thereof;
 FIG. 3 is a rear elevational view thereof;
 FIG. 4 is a left-side elevational view thereof;
 FIG. 5 is a right-side elevational view thereof;
 FIG. 6 is a top plan view thereof; and,
 FIG. 7 is a bottom plan view thereof.

1 Claim, 7 Drawing Sheets



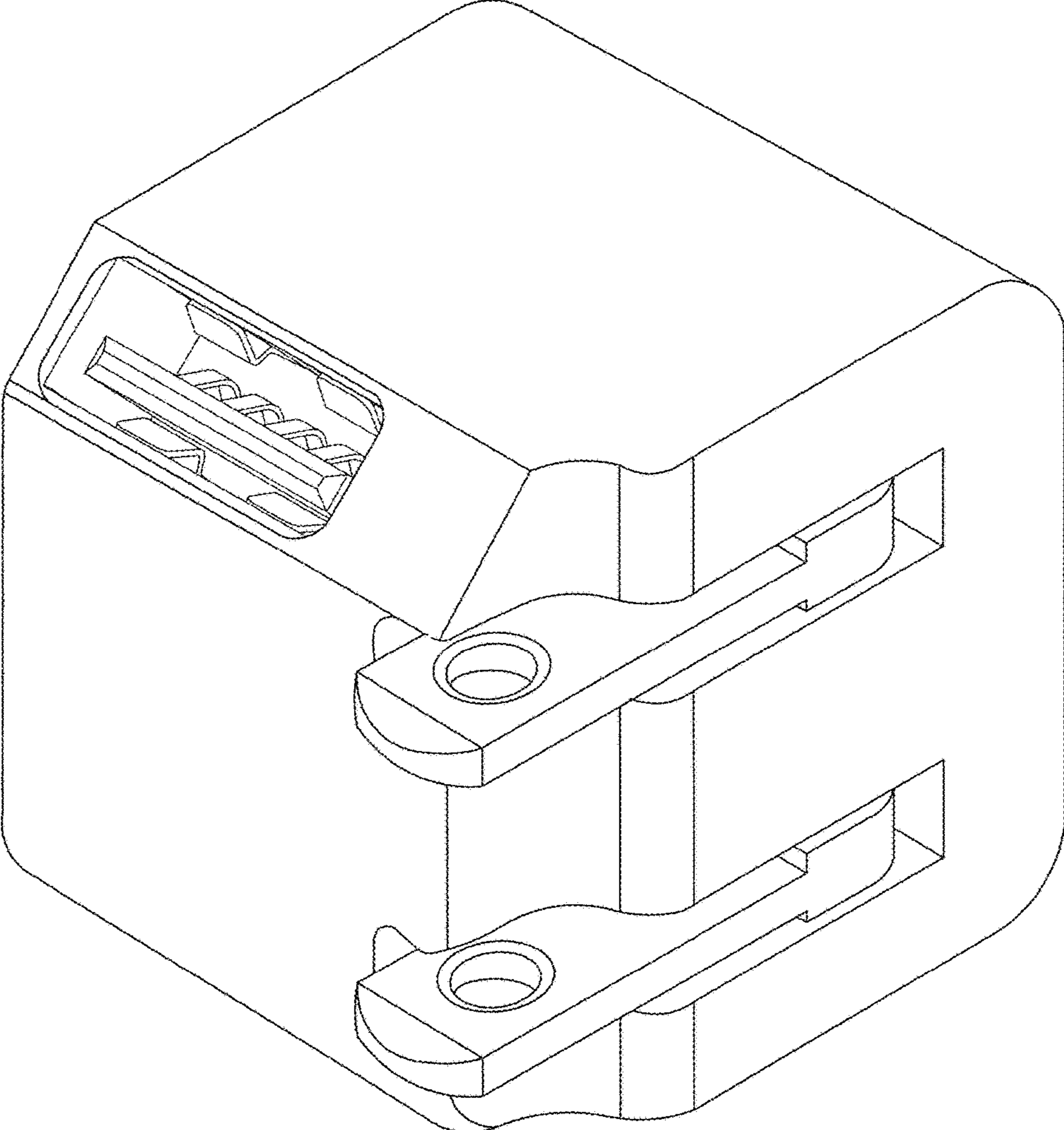


FIG. 1

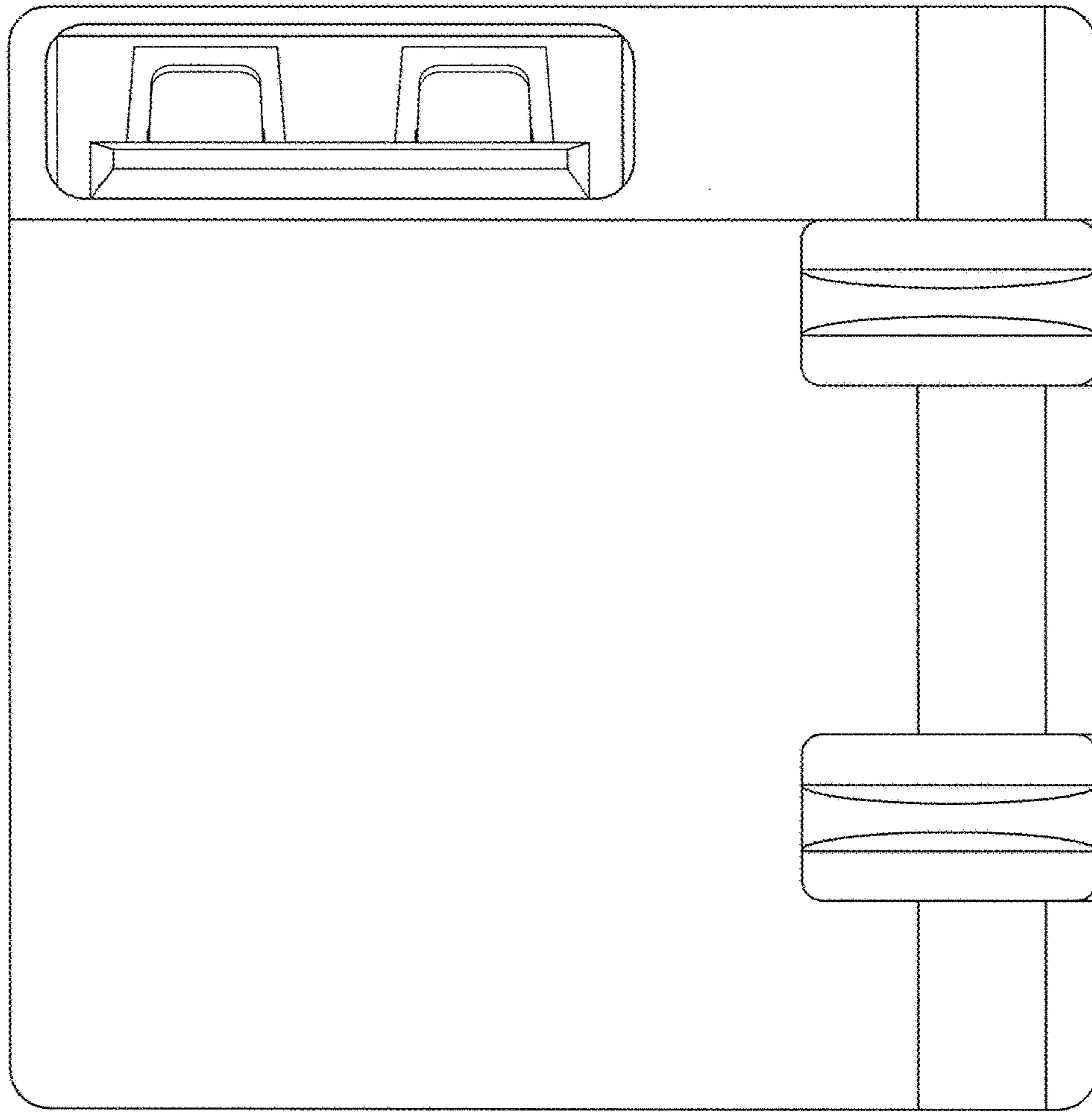


FIG. 2

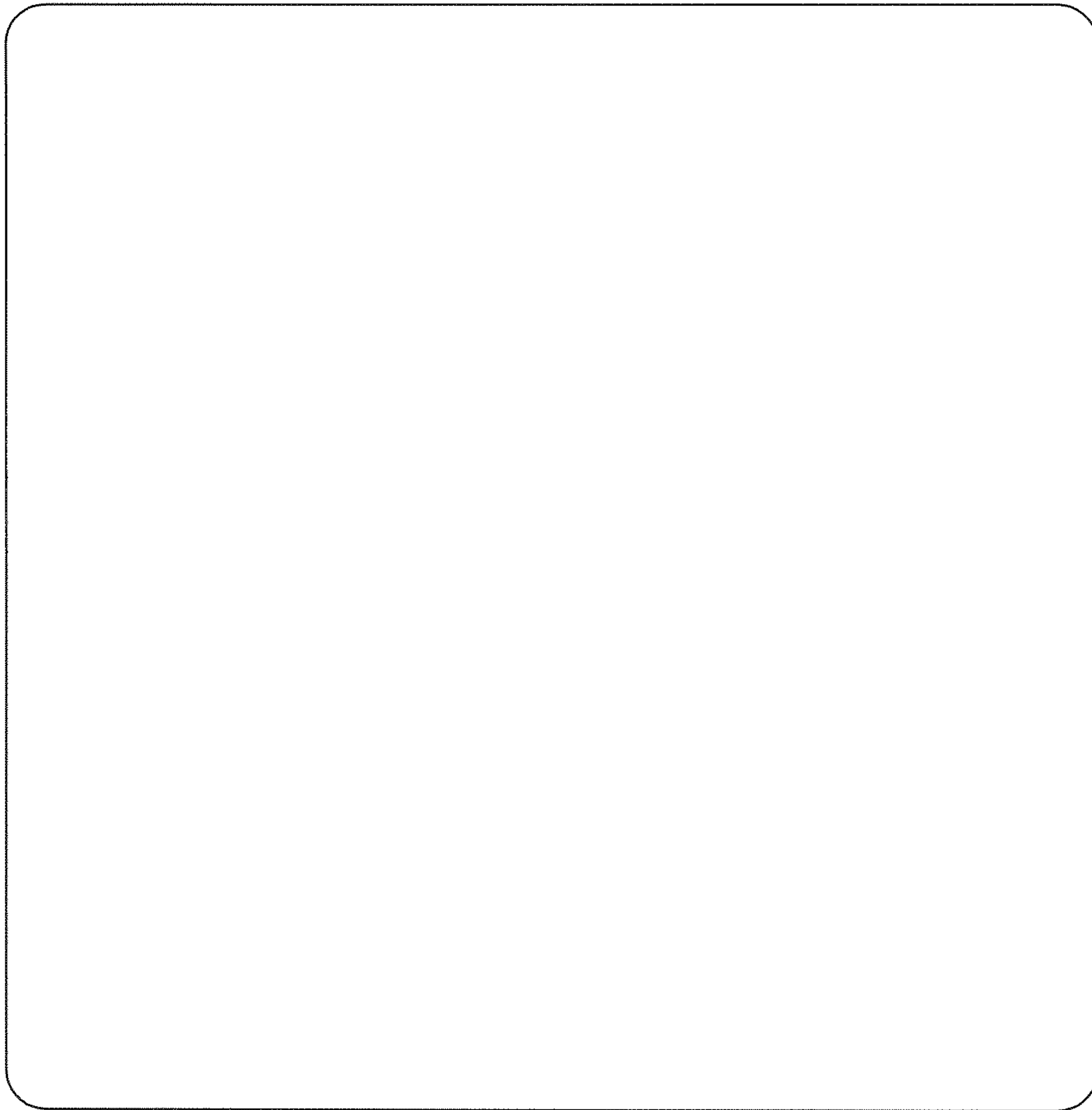


FIG. 3

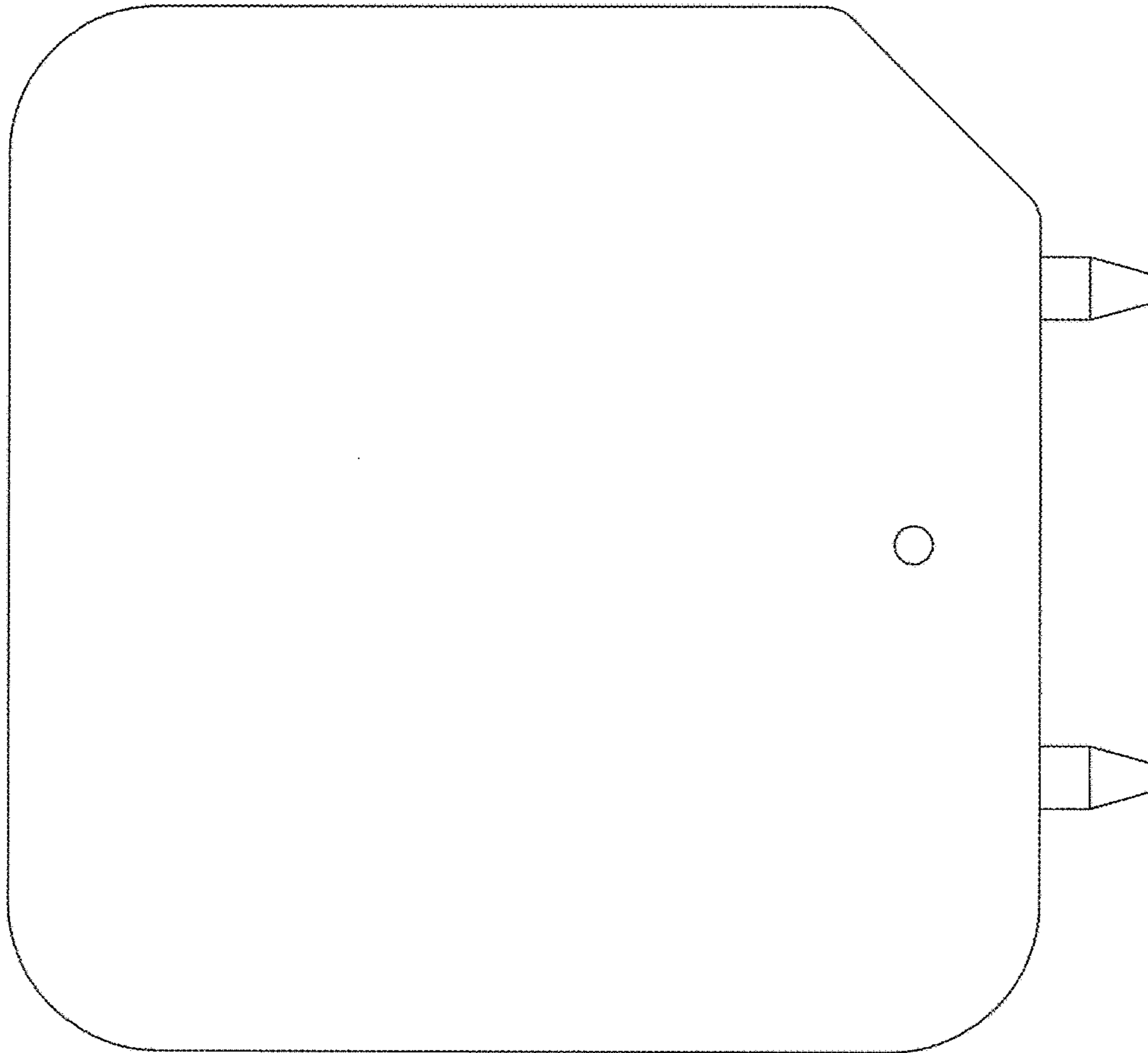


FIG. 4

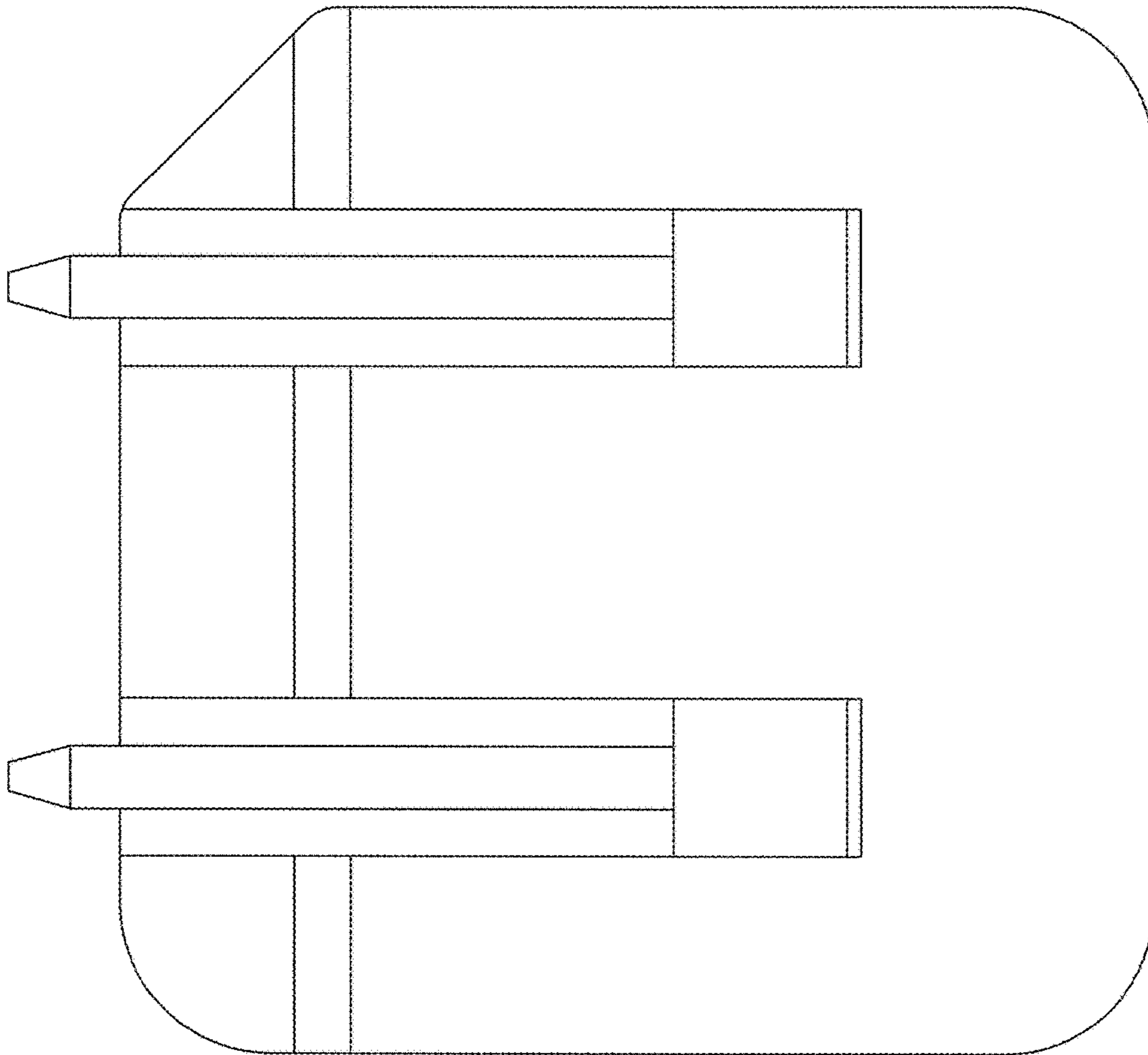


FIG. 5

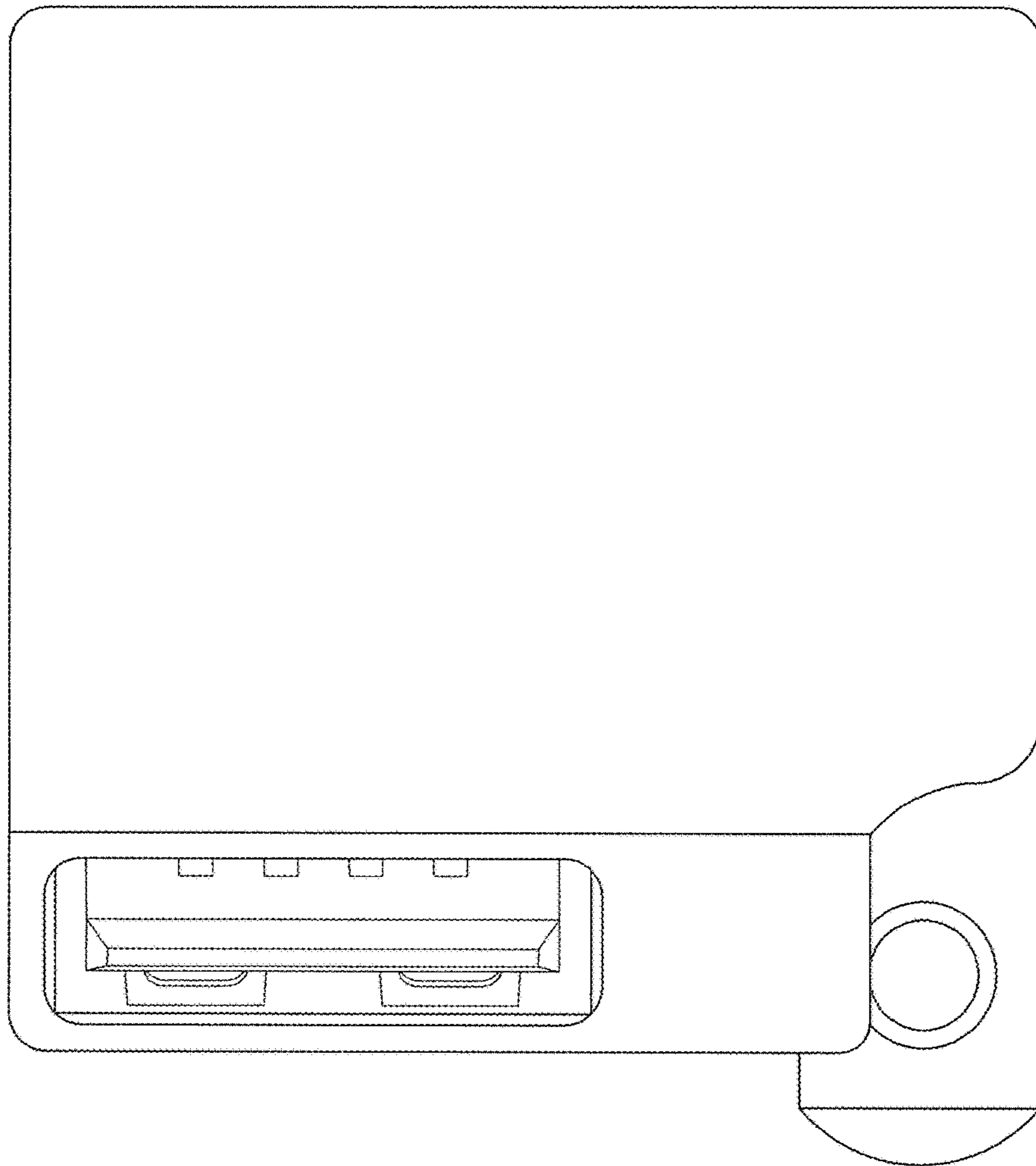


FIG. 6

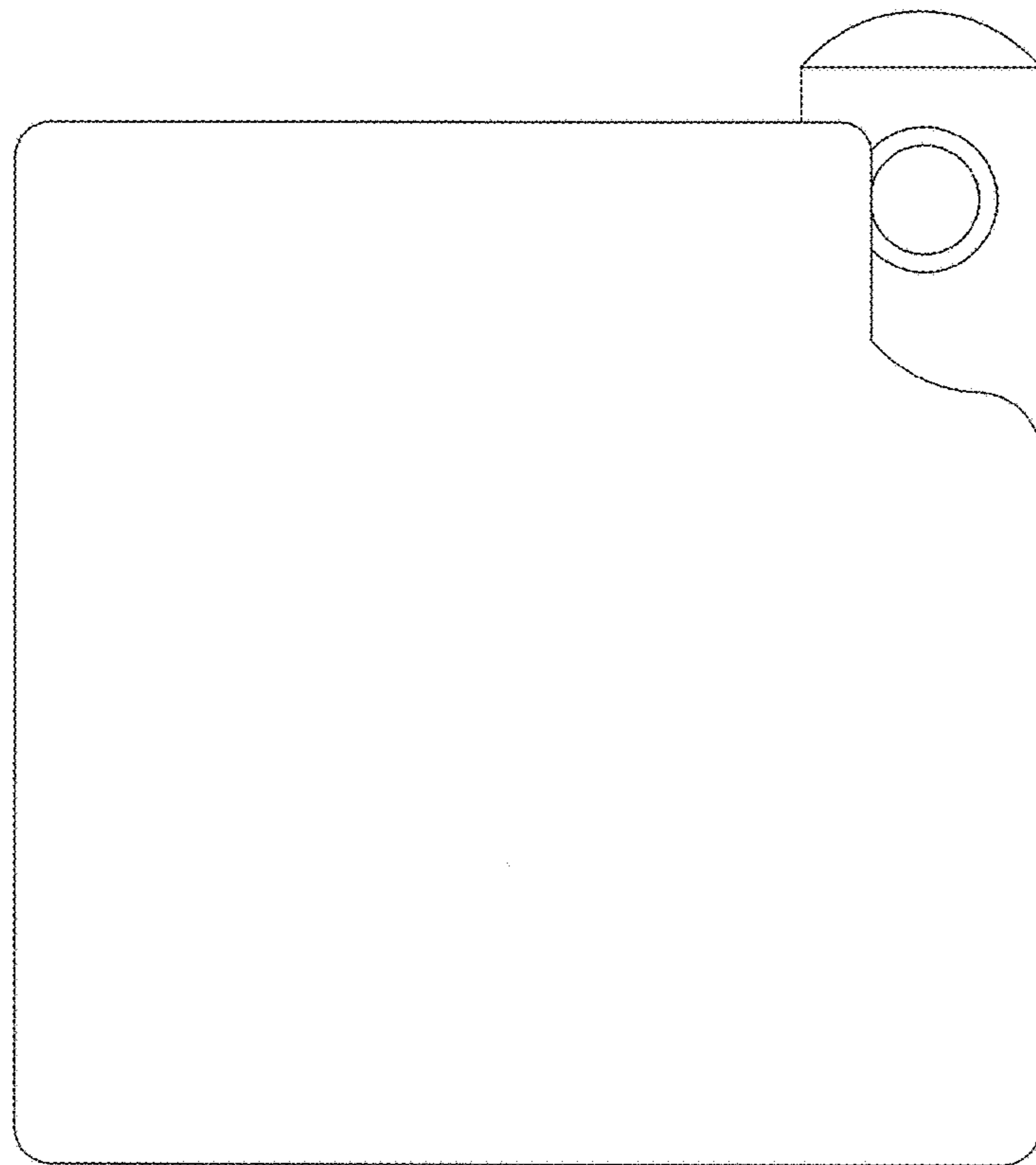


FIG. 7