



US00D798232S

(12) **United States Design Patent** (10) **Patent No.:** **US D798,232 S**
Häberlein (45) **Date of Patent:** **** Sep. 26, 2017**

(54) **COMBINATION MOUNTING AND FASTENING BRACKET FOR SOLAR STRUCTURES**

2/5211; F24J 2/5245; F24J 2/5258; F24J 2/5264; B65D 57/00; B65D 81/053

See application file for complete search history.

(71) Applicant: **ULLA HÄBERLEIN-LEHR**,
Pfungstadt (DE)
(72) Inventor: **Joachim Häberlein**, Pfungstadt (DE)
(73) Assignee: **Ulla Häberlein-Lehr**, Pfungstadt (DE)

(56) **References Cited**

U.S. PATENT DOCUMENTS

3,049,260 A * 8/1962 Stone B65D 81/054
206/586
4,131,111 A * 12/1978 Hopper F24J 2/26
126/662
4,239,555 A * 12/1980 Scharlack H01L 31/048
136/251
D270,660 S * 9/1983 Ort D13/102
5,014,163 A * 5/1991 Lin H05K 7/1444
361/791
5,677,830 A * 10/1997 Nogas H05K 7/1435
361/732

(**) Term: **15 Years**

(21) Appl. No.: **35/500,302**

(Continued)

(22) Filed: **Oct. 7, 2015**

Primary Examiner — Darlington Ly

(80) **Hague Agreement Data**

(74) *Attorney, Agent, or Firm* — Kaplan Breyer Schwarz, LLP

Int. Filing Date: **Oct. 7, 2015**

Int. Reg. No.: **DM/088204**

Int. Reg. Date: **Oct. 7, 2015**

Int. Reg. Pub. Date: **Nov. 27, 2015**

(57) **CLAIM**

The ornamental design for a combination mounting and fastening bracket for solar structures, substantially as shown and described.

(30) **Foreign Application Priority Data**

DESCRIPTION

Apr. 7, 2015 (DE) 40 2015 100 322

(51) **LOC (10) Cl.** **13-02**

(52) **U.S. Cl.**
USPC **D13/102**

(58) **Field of Classification Search**
USPC D13/102, 118, 184, 199; D8/349, 354,
D8/355, 356; D25/119, 123, 124, 125;
52/173.3, 460; 126/573, 580; 136/206,
136/244–251, 256, 291, 292
CPC F24J 2/46; F24J 2/526; F24J 2/5207; F24J

1.1 is a perspective view of the front, top and one side of a combination mounting and fastening bracket for solar structures showing my design;

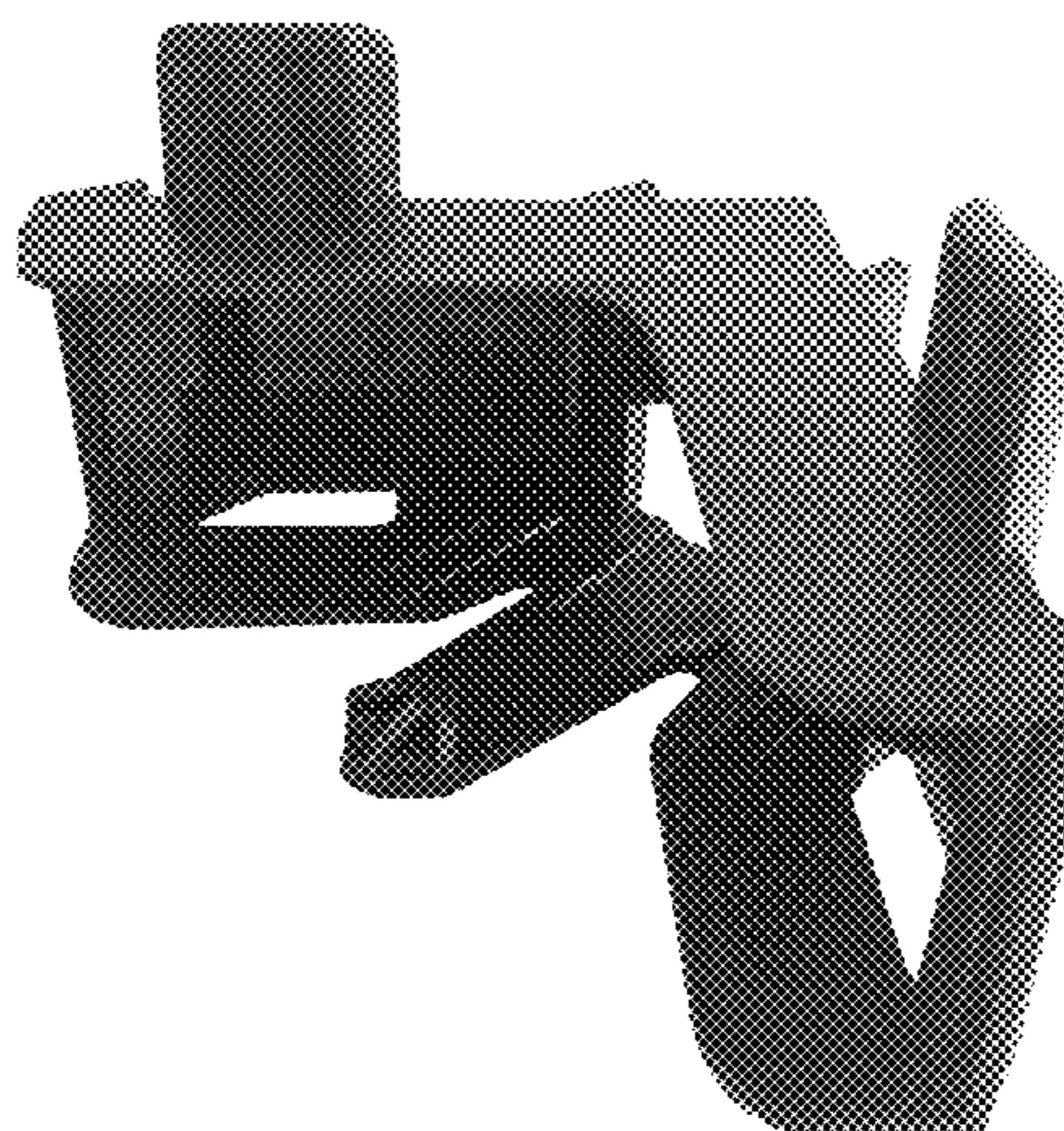
1.2 is a front view of my design;

1.3 is a rear view of my design;

1.4 is a perspective view of the front, top and one side of my design showing a second mounting and fastening bracket stacked above the first mounting and fastening bracket of **1.1**;

1.5 is a front view of my design showing the second mounting and fastening bracket stacked above the first mounting and fastening bracket of **1.1**; and

(Continued)



1.6 is a perspective view of the rear, top and one side of my design showing the second mounting and fastening bracket stacked above the first mounting and fastening bracket of 1.1.

The second mounting and fastening bracket of 1.4 to 1.6 shown in low contrast is provided for the purposes of illustrating environmental structure and do not form part of the claimed design.

1 Claim, 6 Drawing Sheets

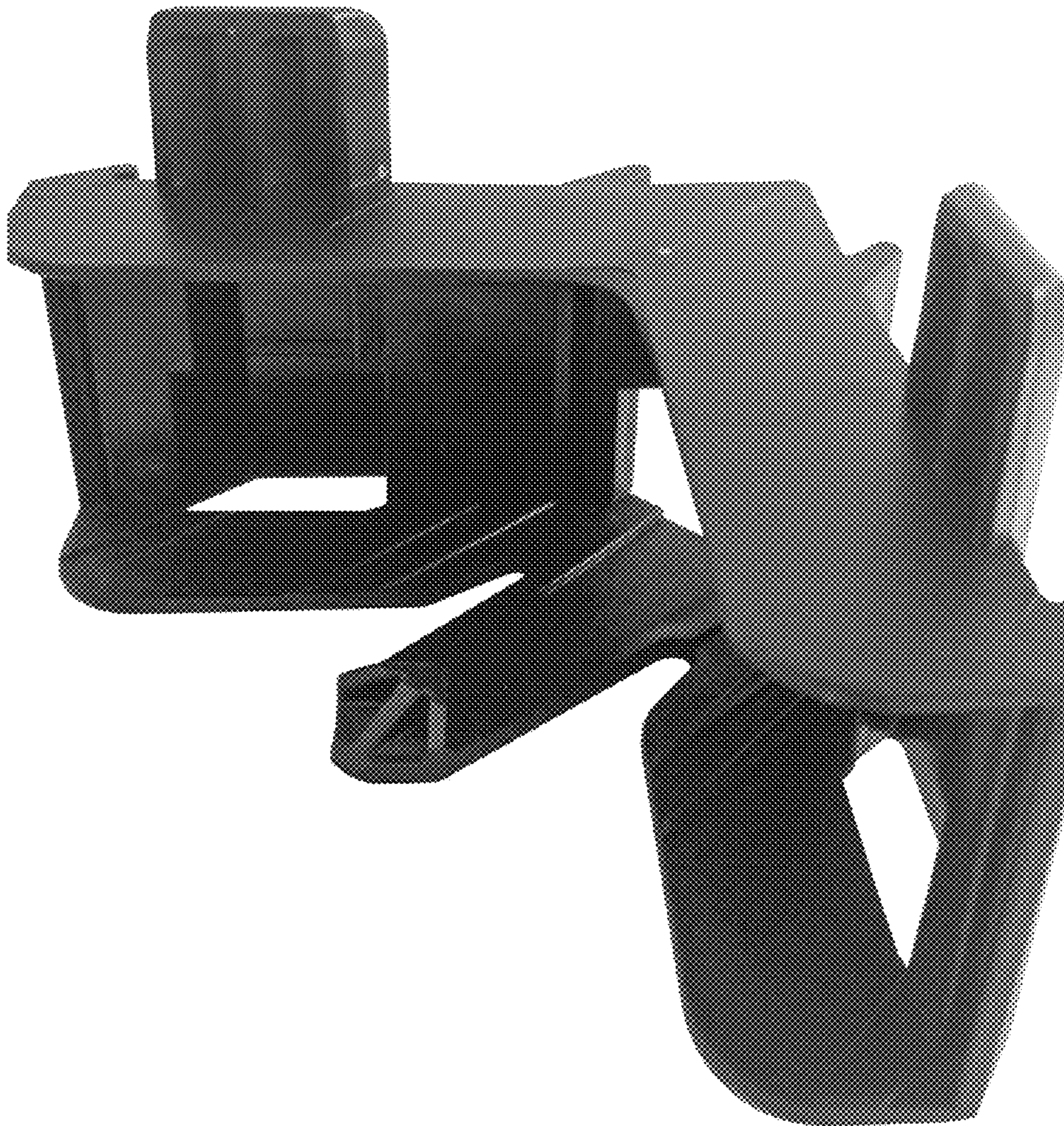
(56)

References Cited

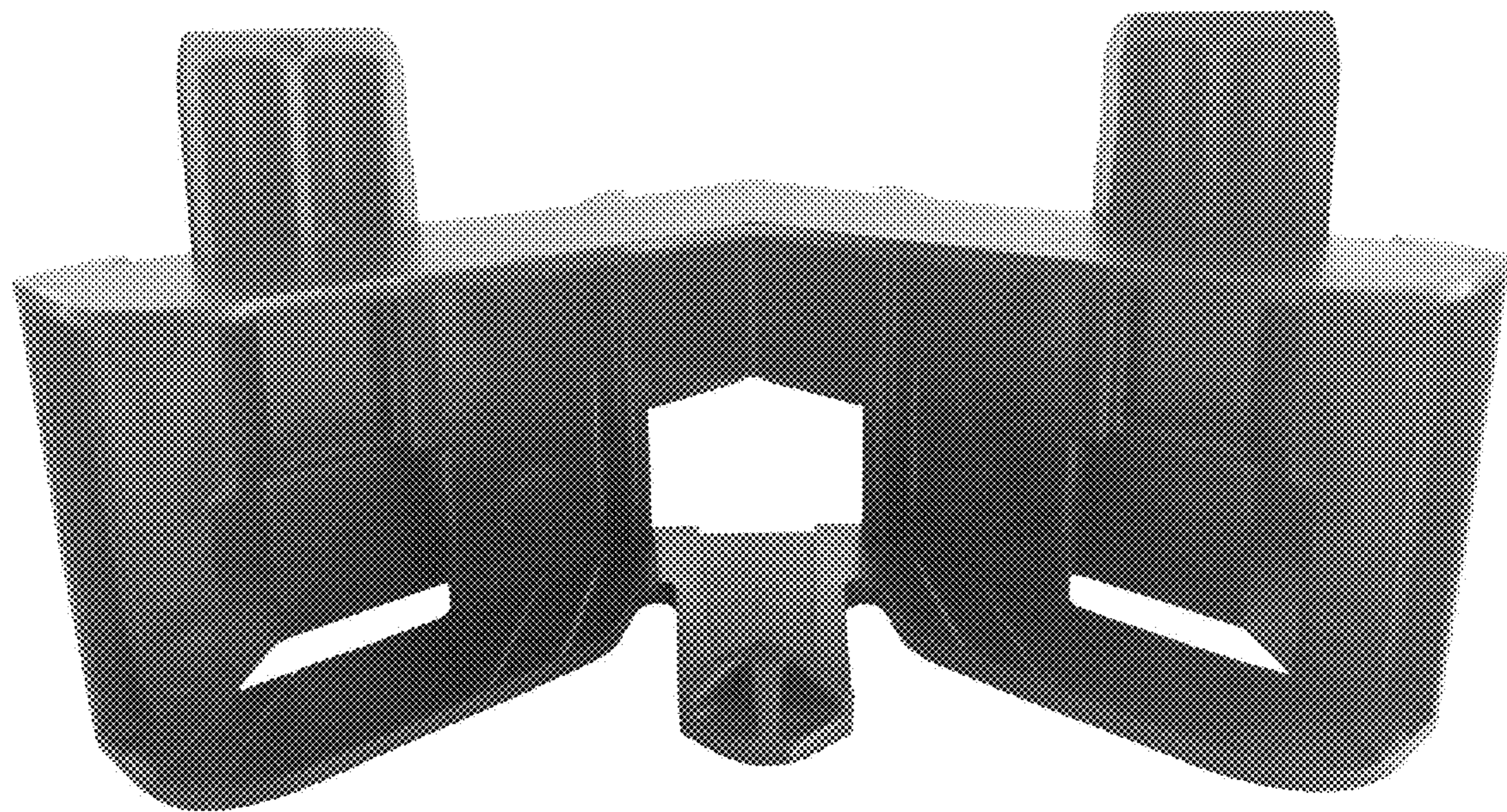
U.S. PATENT DOCUMENTS

D547,262 S *	7/2007	Ullman	D13/102
D564,958 S *	3/2008	Almy	D13/102
D695,678 S *	12/2013	Haberlein	D13/102
2004/0262194 A1 *	12/2004	Hightower	B65D 81/055 206/586
2006/0005875 A1 *	1/2006	Haberlein	B65D 57/00 136/251
2006/0243636 A1 *	11/2006	Robichaud	B65D 81/053 206/586
2009/0019796 A1 *	1/2009	Liebendorfer	F24J 2/5207 52/173.3

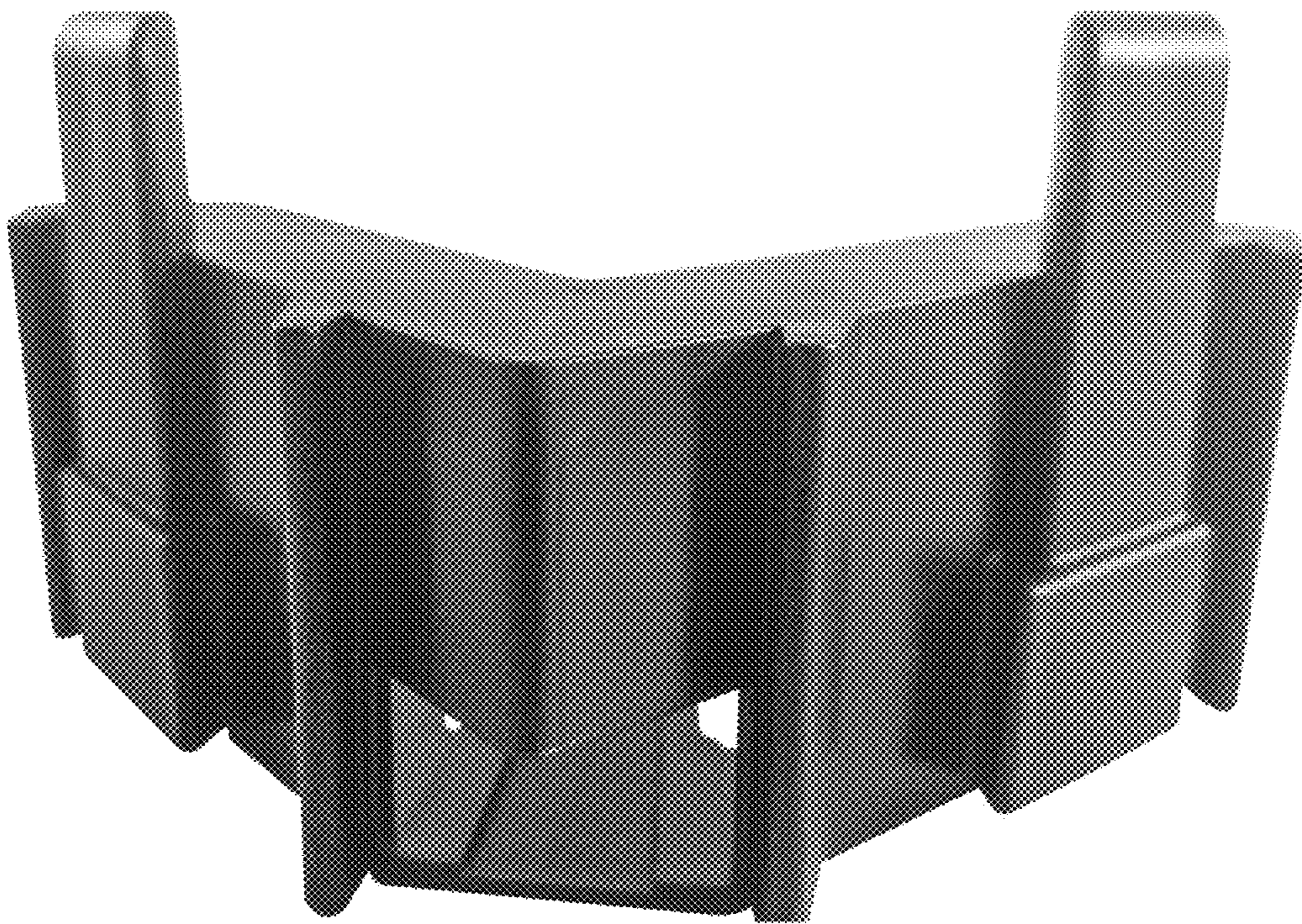
* cited by examiner



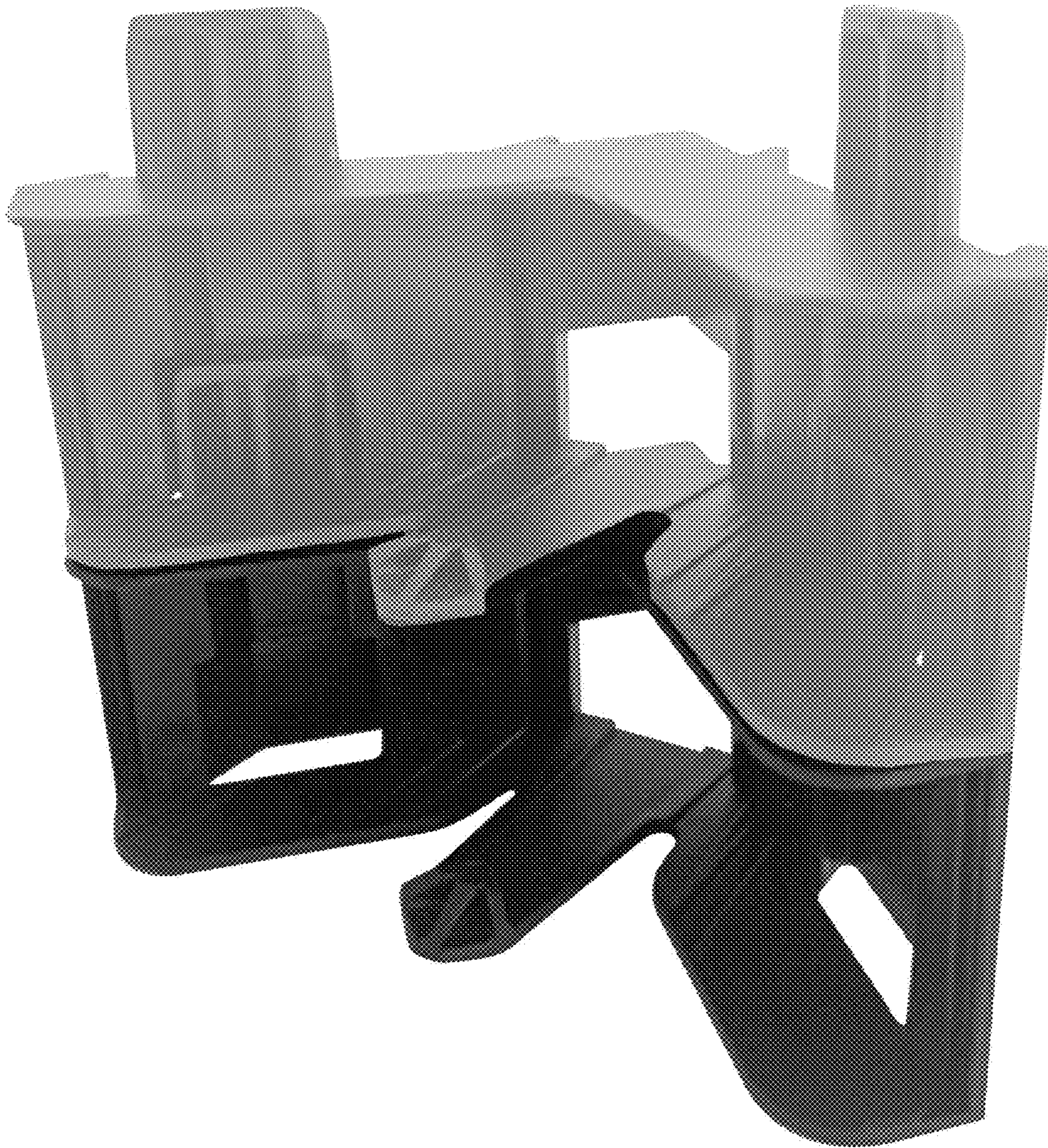
1.1



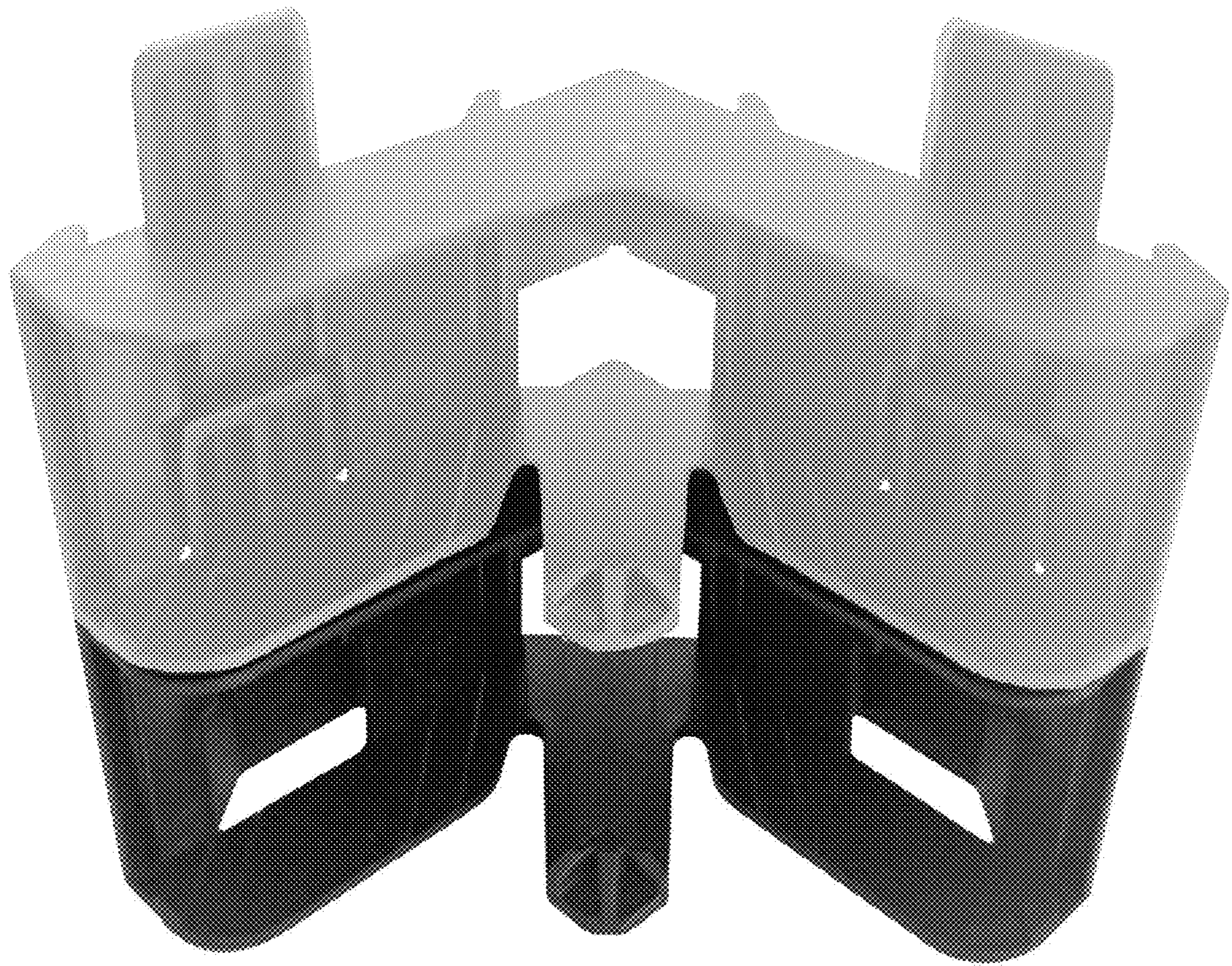
1.2



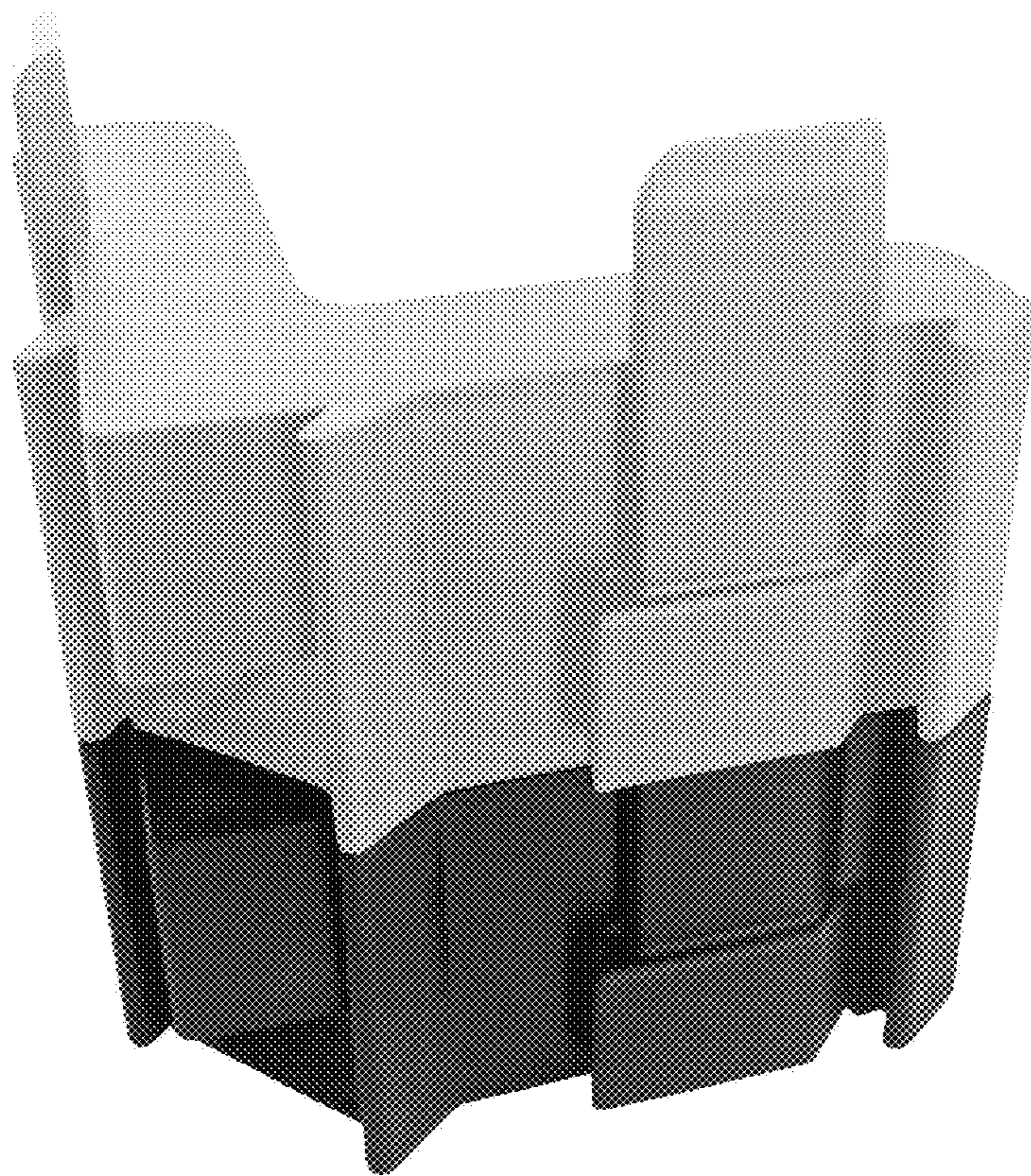
1.3



1.4



1.5



1.6