



US00D798231S

(12) **United States Design Patent** (10) **Patent No.:** **US D798,231 S**
Duenser (45) **Date of Patent:** **** Sep. 26, 2017**

(54) **PHOTOVOLTAIC CONNECTION BOX**
(71) Applicant: **Hirschmann Automotive GmbH**,
Rankweil/Brederis (AT)
(72) Inventor: **Simon Duenser**, Bludenz (AT)
(73) Assignee: **HIRSCHMANN AUTOMOTIVE**
GMBH, Rankweil/Brederis (AT)
(**) Term: **14 Years**

D673,903 S * 1/2013 Kobayashi D13/102
D686,978 S * 7/2013 Nicholson D13/102
D691,560 S * 10/2013 Wang D13/133
D708,123 S * 7/2014 Ilzhofer D13/102
2008/0302928 A1* 12/2008 Haddock E04F 13/0821
248/205.1

* cited by examiner

Primary Examiner — Derrick Holland
(74) *Attorney, Agent, or Firm* — Andrew Wilford

(21) Appl. No.: **29/517,507**
(22) Filed: **Feb. 13, 2015**

(30) **Foreign Application Priority Data**

Aug. 15, 2014 (DE) 40 2014 100 766

(51) **LOC (10) Cl.** **13-02**
(52) **U.S. Cl.**
USPC **D13/102**

(58) **Field of Classification Search**
USPC D13/102, 118, 184, 199; D8/72, 74, 349,
D8/354, 355; 52/173.3; 126/573, 580,
126/651, 656, 704; 136/206, 244–251,
136/256, 291, 292
CPC F24J 2/38; F24J 2/40; F24J 2/54; F24J
2/405; F24J 2/4638; F24J 2002/385;
H01L 31/042; H01L 31/043; H01L
31/052; H01L 31/0525; Y02E 10/47;
H02S 40/00; H02S 40/22; H02S 40/34;
H02S 40/38; H02S 50/00
See application file for complete search history.

(56) **References Cited**

U.S. PATENT DOCUMENTS

D616,815 S * 6/2010 Jadraque Aznarez D13/110
D651,970 S * 1/2012 Turk D13/102

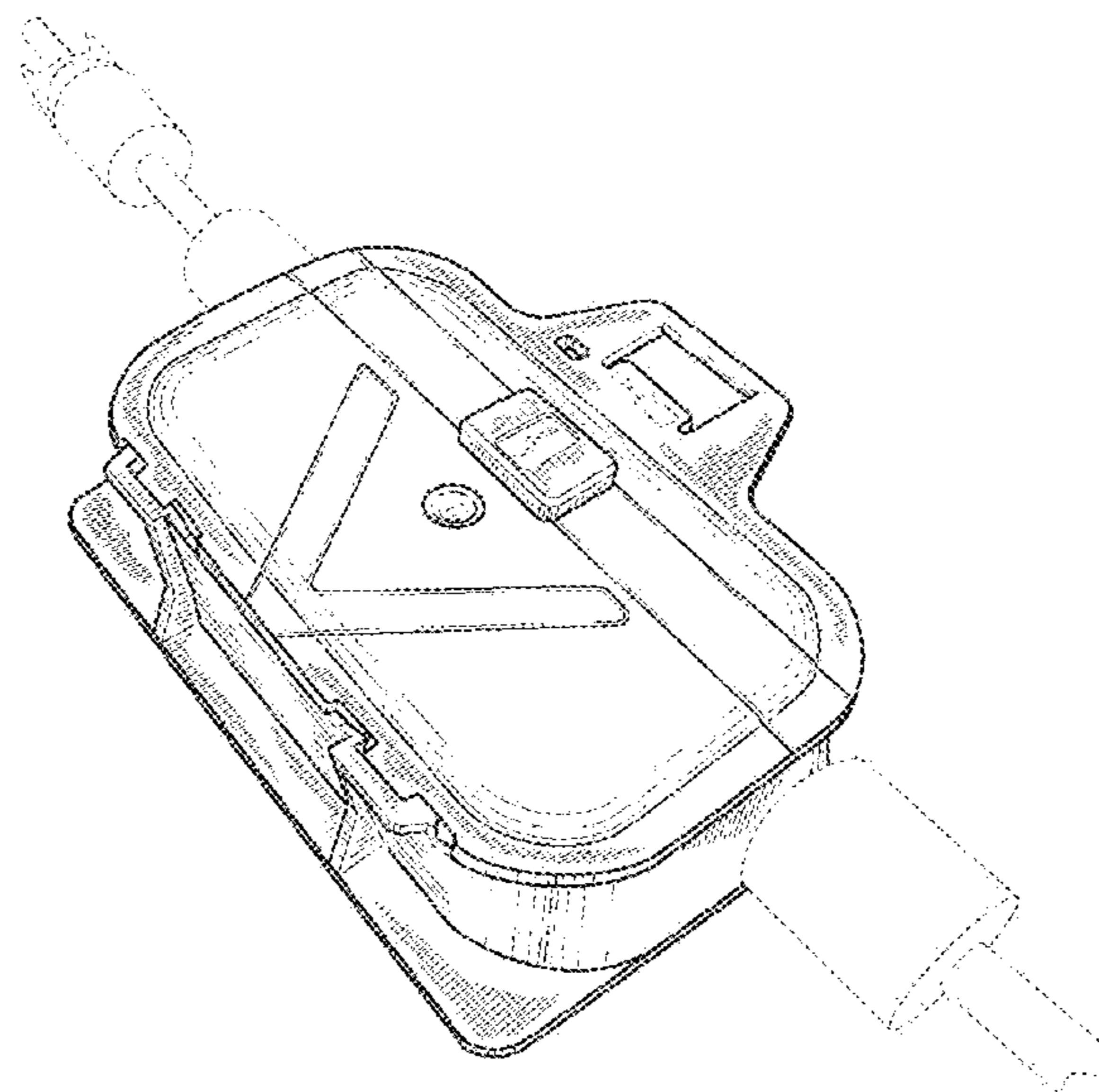
(57) **CLAIM**

The ornamental design for a photovoltaic connection box, as shown and described.

DESCRIPTION

FIG. 1 is a perspective view of a photovoltaic connection box showing my new design;
FIG. 2 is another perspective view in an enlarged scale thereof;
FIG. 3 is another perspective view in an enlarged scale thereof;
FIG. 4 is another perspective view in an enlarged scale thereof;
FIG. 5 is a rear perspective view thereof;
FIG. 6 is a right and rear side perspective view thereof;
FIG. 7 is a left and rear side perspective view thereof;
FIG. 8 is a left and front side perspective view thereof;
FIG. 9 is a left side perspective view shown in a reduced scale thereof; and,
FIG. 10 is a front and right side perspective view shown in a reduced scale thereof.
The broken lines shown represent unclaimed subject matter and form no part of the design.

1 Claim, 10 Drawing Sheets



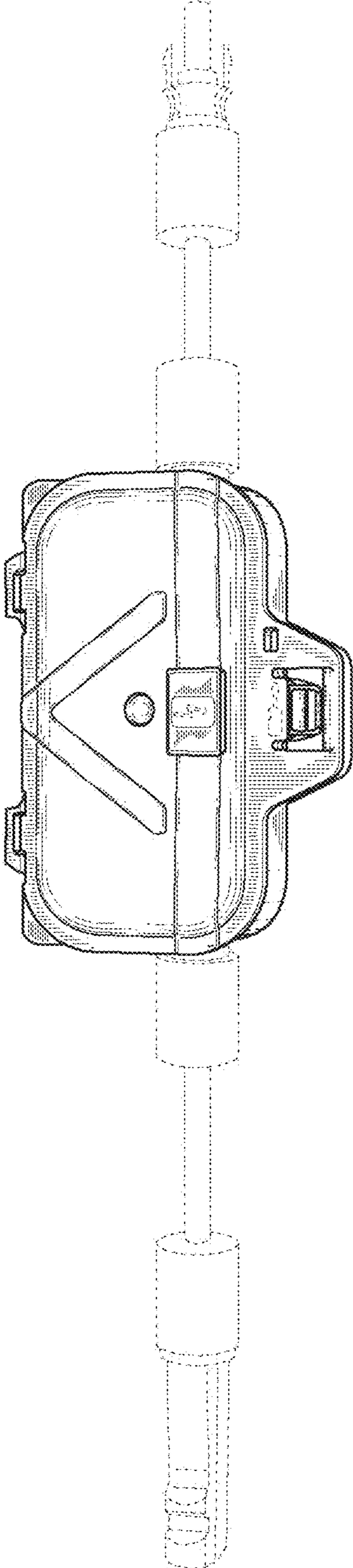


FIG. 1

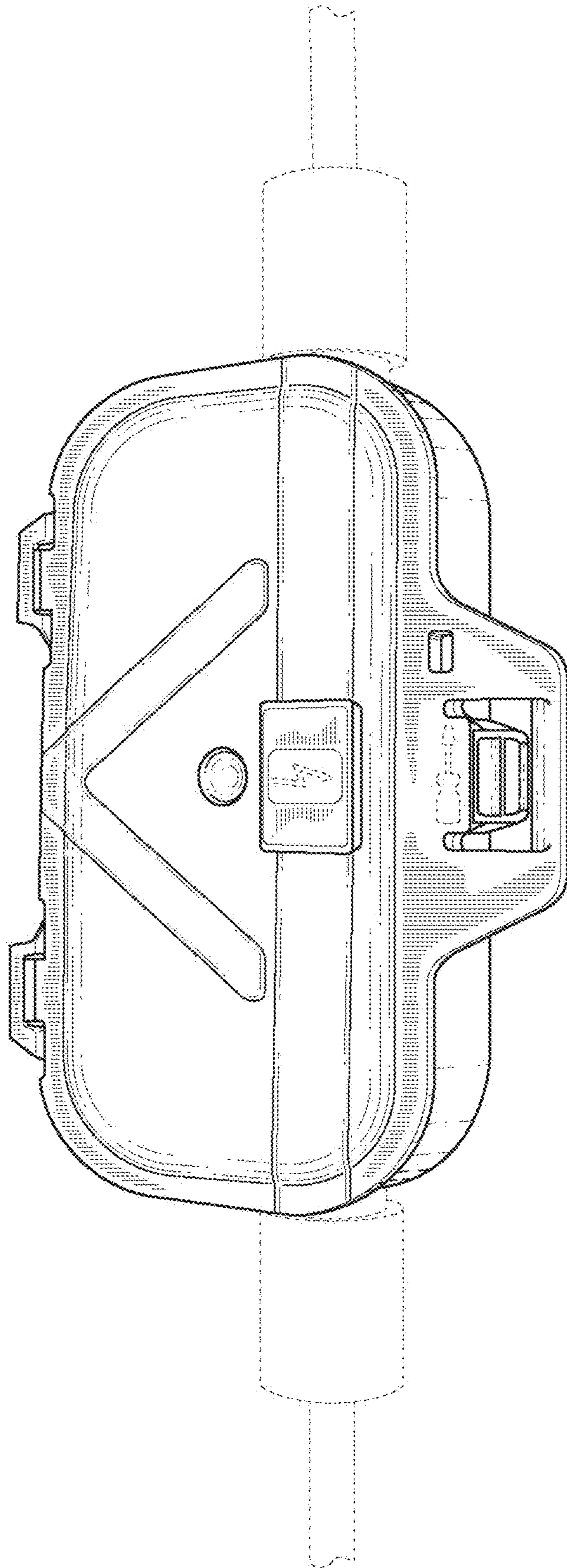


FIG. 2

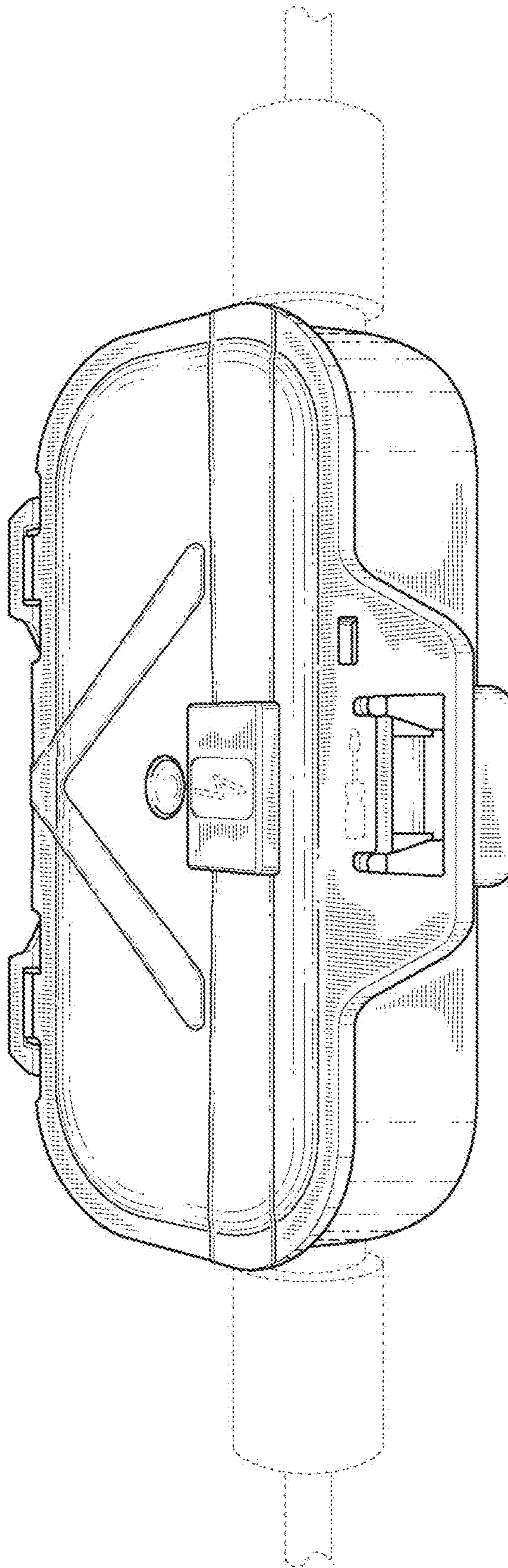


FIG. 3

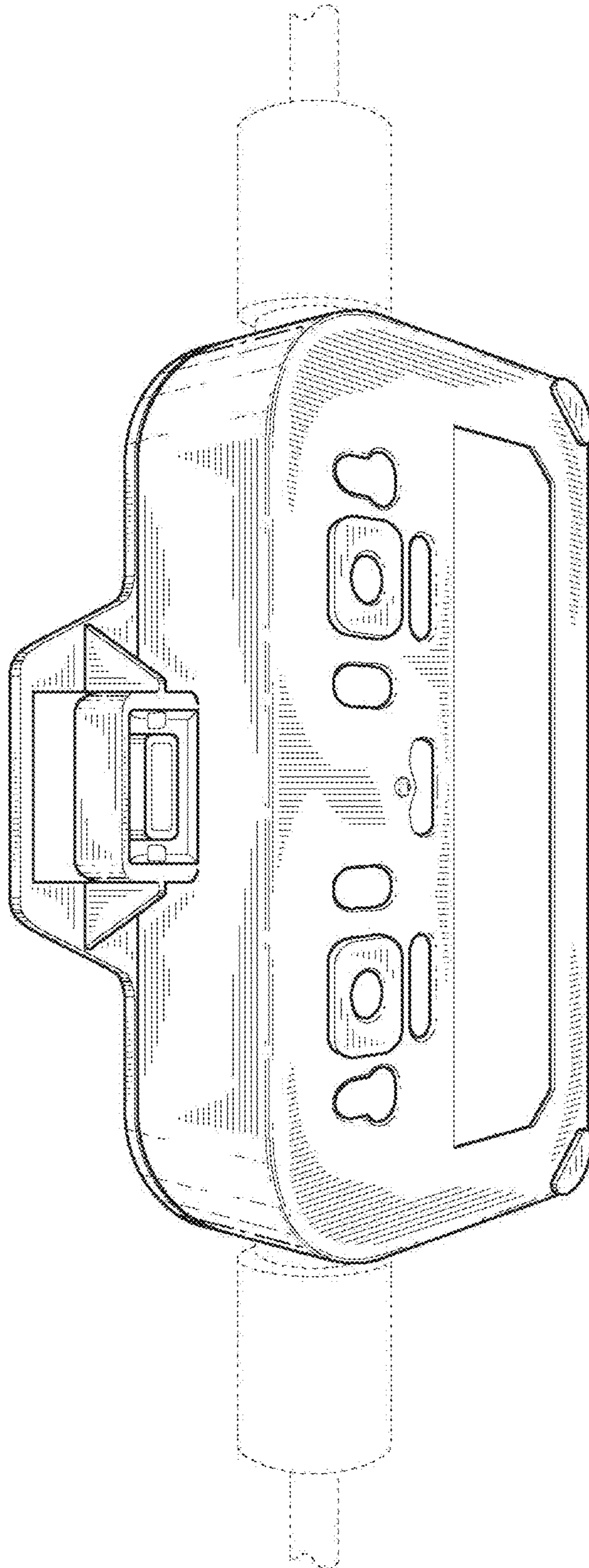


FIG. 4

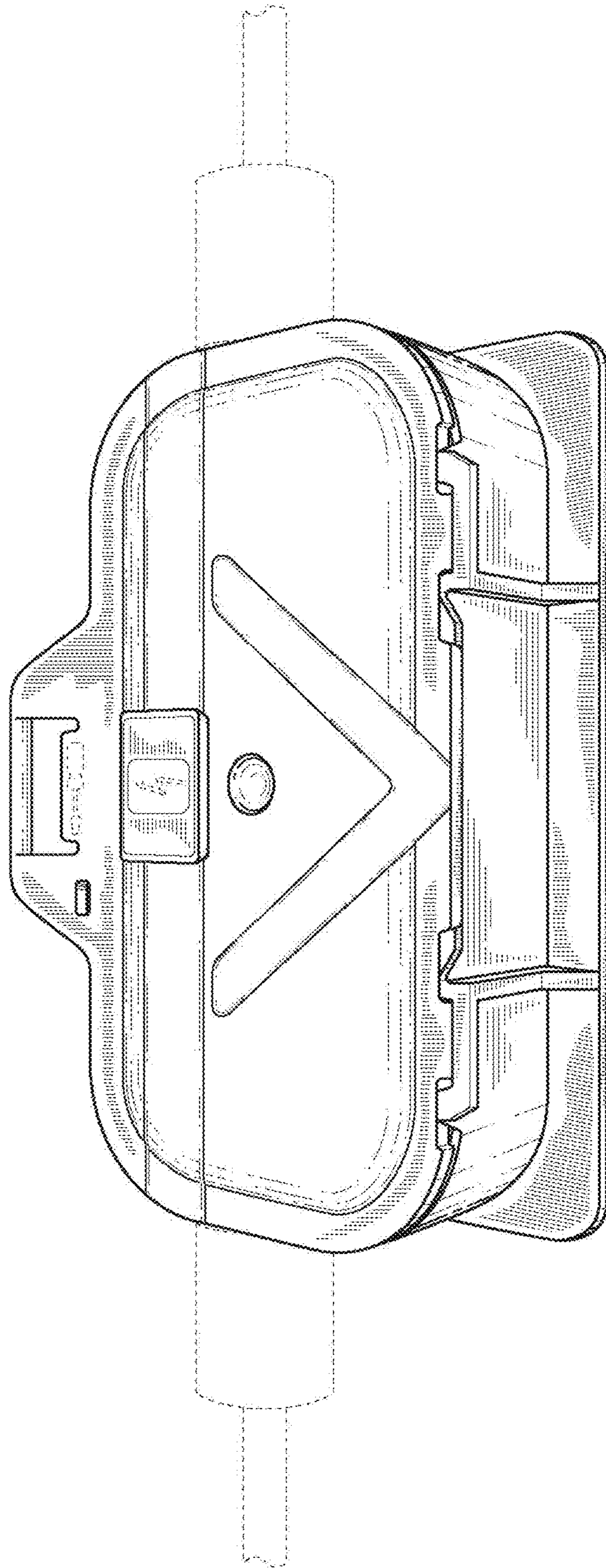


FIG. 5

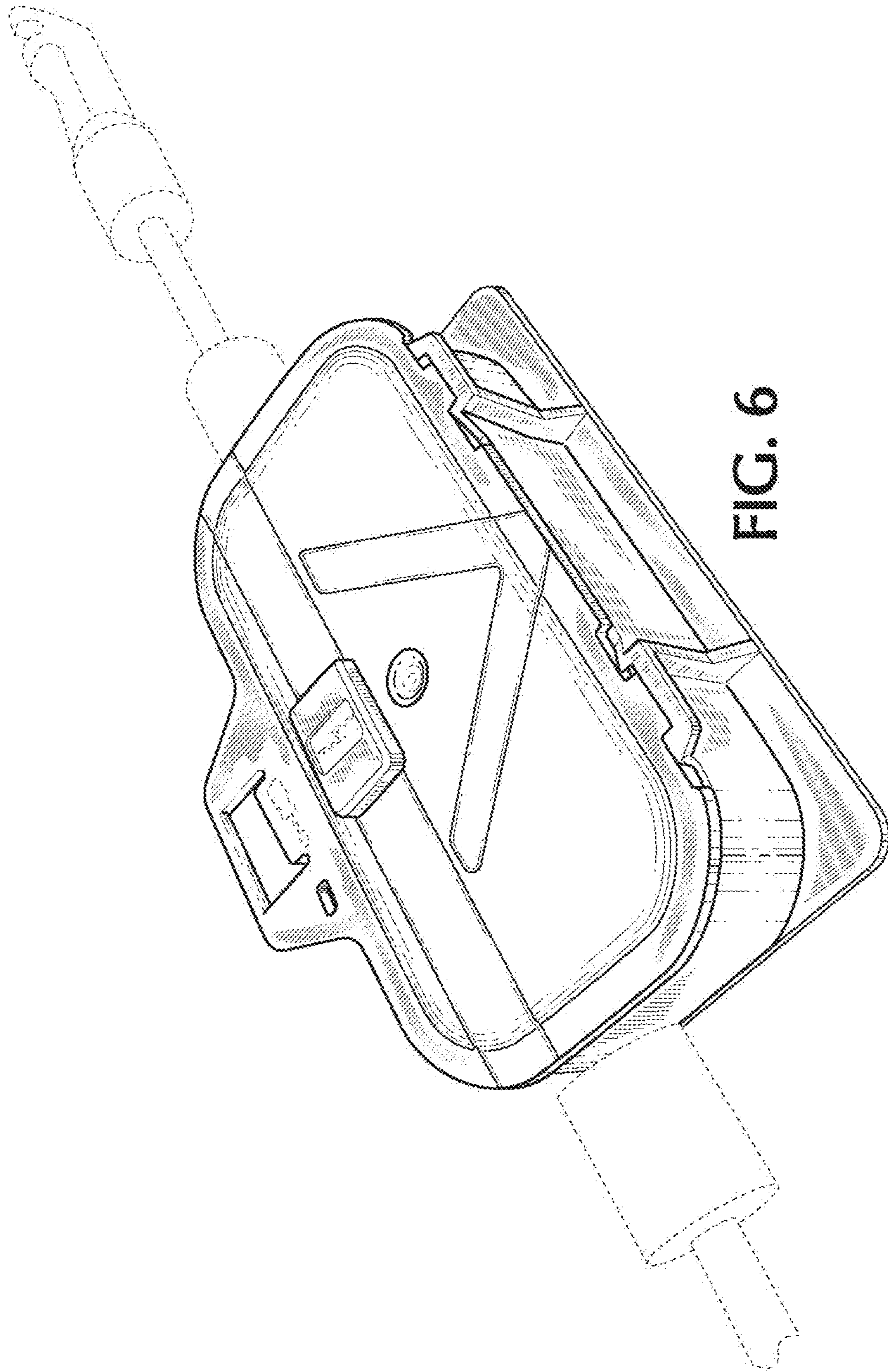


FIG. 6

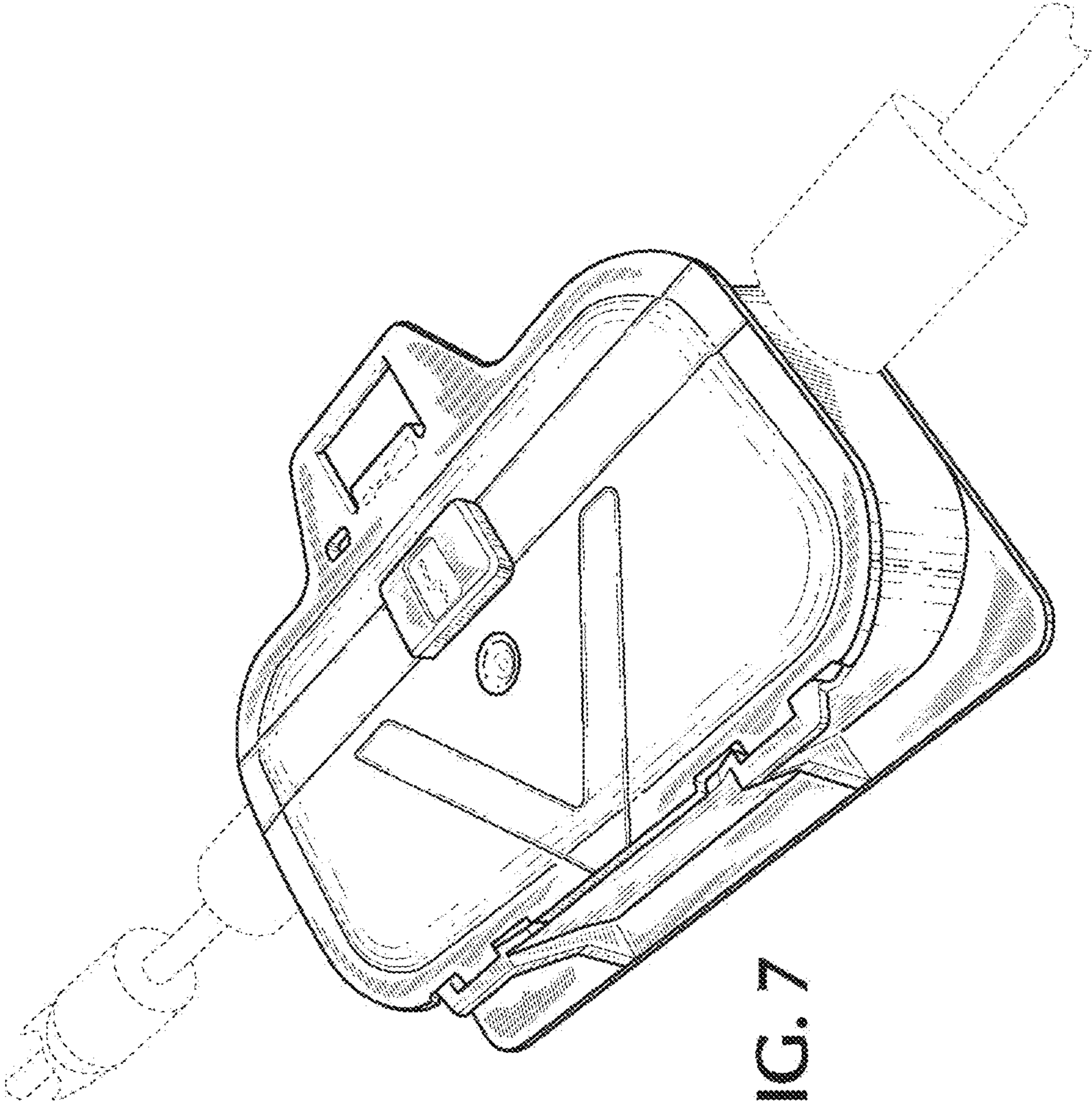


FIG. 7

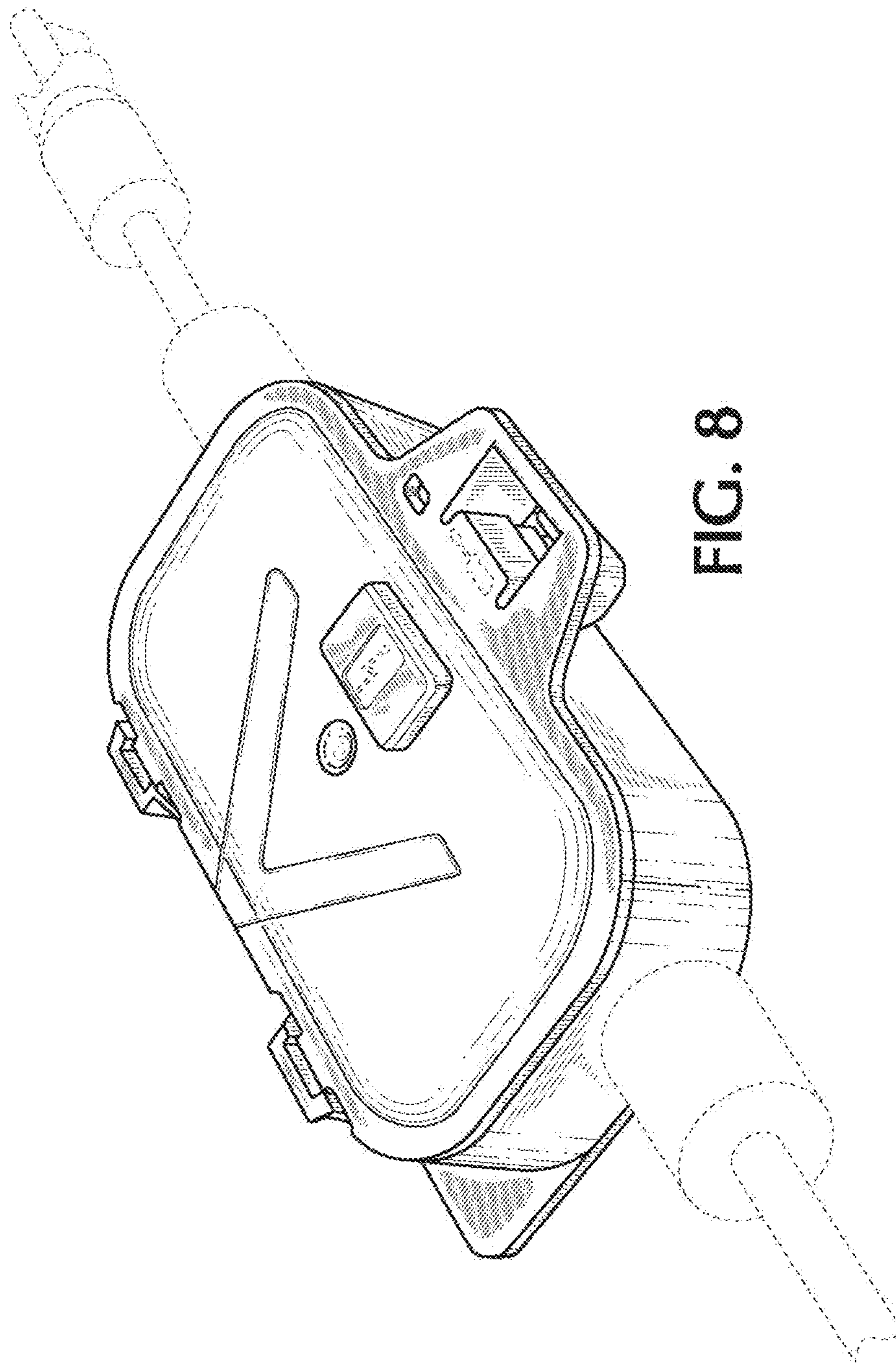


FIG. 8

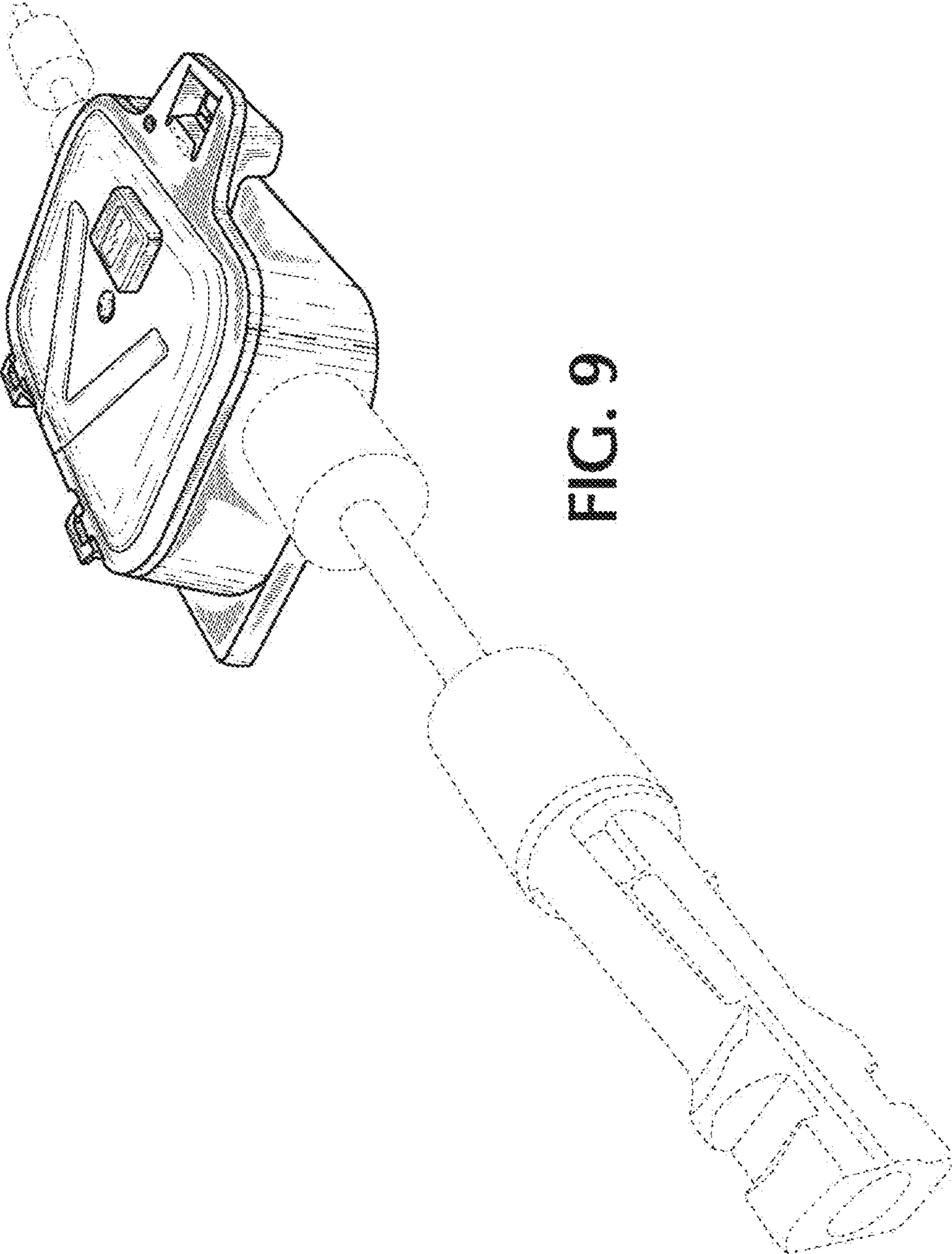


FIG. 9

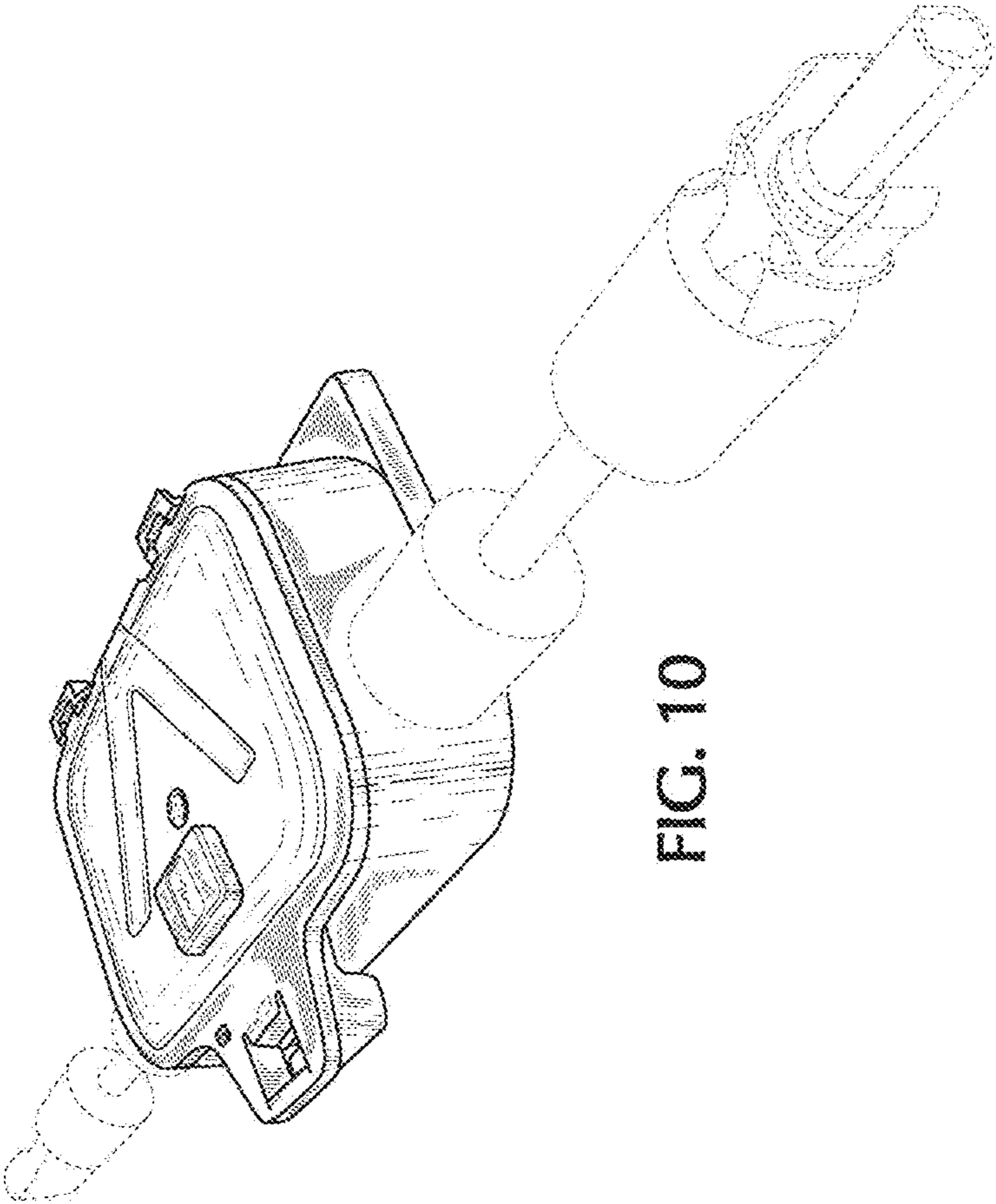


FIG. 10