



US00D798227S

(12) **United States Design Patent**  
**Scheifele**

(10) **Patent No.:** **US D798,227 S**

(45) **Date of Patent:** **\*\* Sep. 26, 2017**

(54) **TIRE TREAD**

(71) Applicant: **Bridgestone Americas Tire Operations, LLC**, Nashville, TN (US)

(72) Inventor: **Kevin E. Scheifele**, Atwater, OH (US)

(73) Assignee: **Bridgestone Americas Tire Operations, LLC**, Nashville, TN (US)

(\*\*) Term: **15 Years**

(21) Appl. No.: **29/548,843**

(22) Filed: **Dec. 17, 2015**

(51) **LOC (10) Cl.** ..... **12-15**

(52) **U.S. Cl.**  
USPC ..... **D12/588**

(58) **Field of Classification Search**  
USPC ..... 152/5, 151, 152.1, 167, 208,  
152/209.1-209.28, 246, 450, 526, 527,  
152/532, 535, 538, 541; D12/145,  
D12/500-605, 900-901  
CPC ..... B60C 11/00; B60C 2011/0337; B60C  
2011/0339; B60C 2011/0386; B60C 3/00;  
B60C 3/08; B60C 1/00; B60C 2200/00;  
B60C 2200/02; B60C 2200/04; B60C  
2200/06; B60C 2200/065; B60C 2200/08;  
B60C 2200/10; B60C 2200/12; B60C  
2200/14; B60C 7/00; B60C 7/02; B60C  
7/04; B60C 7/06; B60C 7/08; B60C 5/00;  
B60C 13/00

See application file for complete search history.

(56) **References Cited**

**U.S. PATENT DOCUMENTS**

D407,678 S \* 4/1999 Dixon ..... D12/566  
D407,679 S \* 4/1999 Weber ..... D12/588  
D412,471 S \* 8/1999 Downey ..... D12/595  
D414,447 S \* 9/1999 Weber ..... D12/588

D421,416 S 3/2000 Edwards et al.  
D421,584 S \* 3/2000 Lovell ..... D12/600  
D421,731 S \* 3/2000 Weber ..... D12/588  
D427,551 S \* 7/2000 Weber ..... D12/588  
D453,919 S 2/2002 Mast et al.  
D471,492 S 3/2003 Slingluff et al.  
D481,671 S 11/2003 Maloney et al.  
D502,441 S 3/2005 Lo  
D512,013 S 11/2005 Delu et al.  
D515,019 S 2/2006 Umstot et al.  
D524,236 S 7/2006 Marazzi et al.  
D602,421 S 10/2009 Hutz  
D605,580 S 12/2009 Williams  
D606,926 S 12/2009 Heinen et al.  
D664,083 S 7/2012 Scheifele  
D666,138 S 8/2012 Fontaine et al.  
D683,300 S 5/2013 Yasunaga  
D727,835 S 4/2015 Murata  
D733,036 S 6/2015 Kuwano  
D735,113 S 7/2015 Schoeppner et al.

(Continued)

*Primary Examiner* — Manpreet Matharu

*Assistant Examiner* — Keith Wilson

(74) *Attorney, Agent, or Firm* — Shaun J. Fox

(57) **CLAIM**

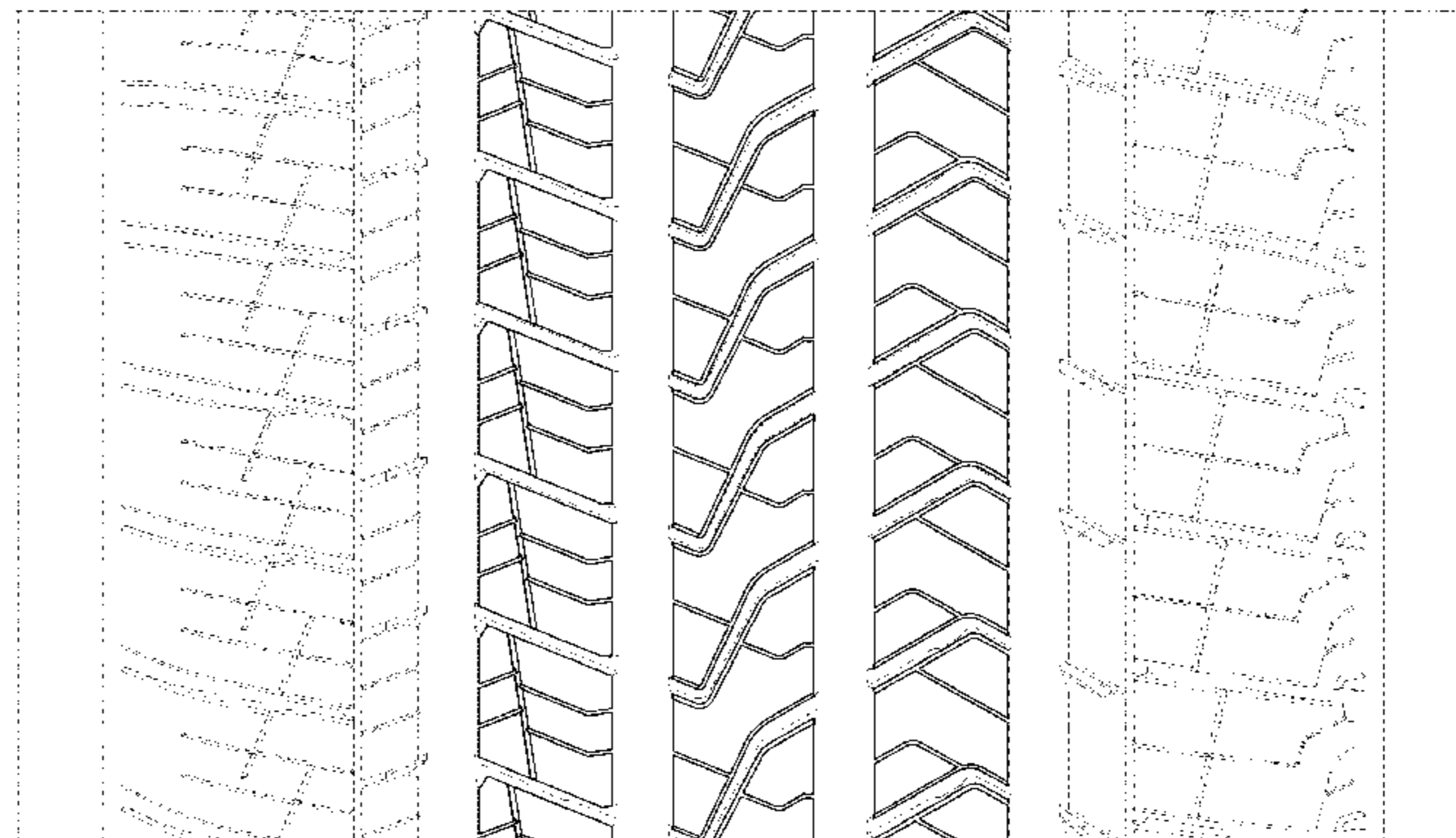
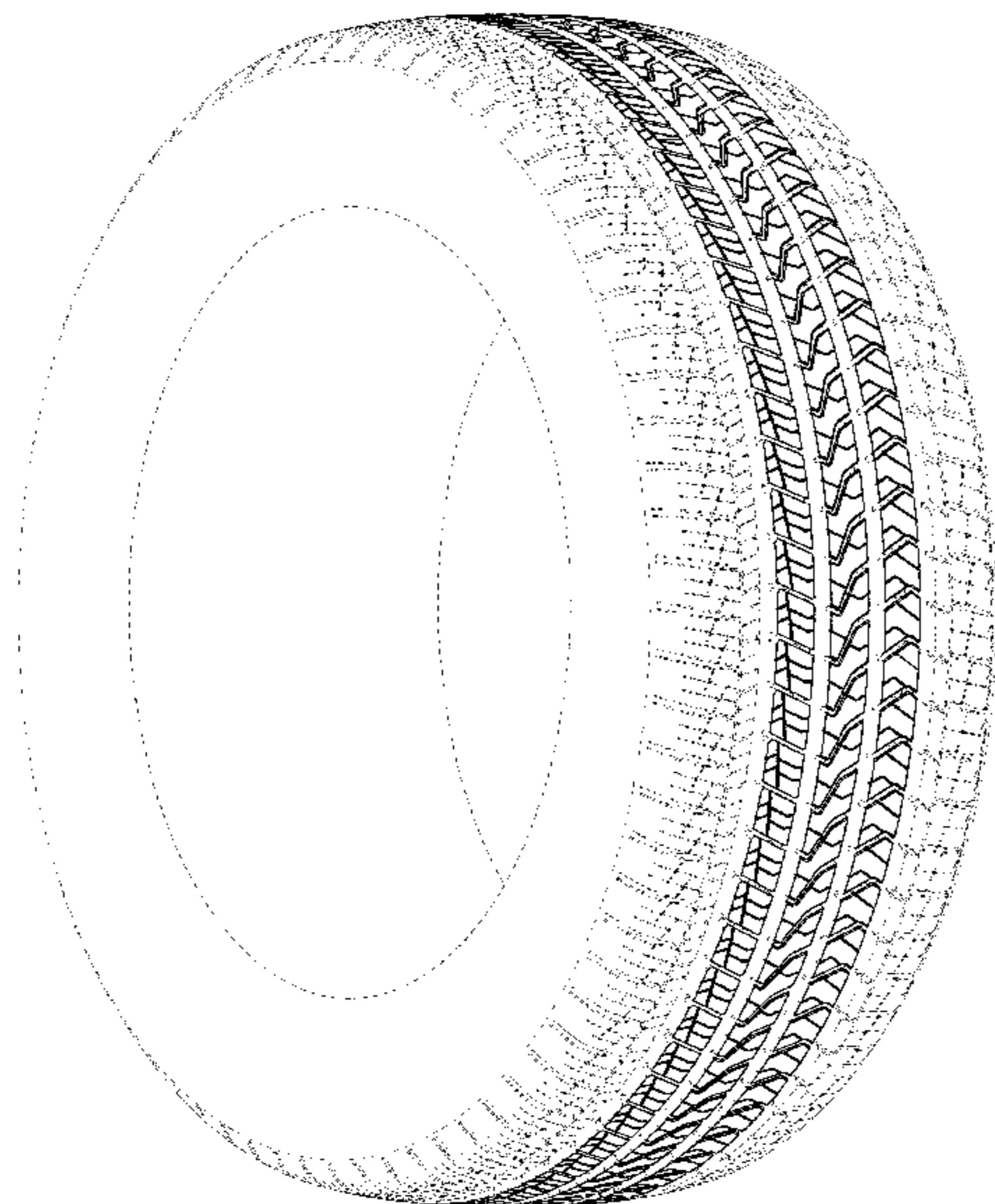
The ornamental design for a tire tread, as shown and described.

**DESCRIPTION**

FIG. 1 is a side perspective view of a tire tread showing my new design, it being understood that the tread pattern is repeated throughout the circumference of the tire tread, the opposite side being the same as that shown; FIG. 2 is a front elevational view thereof, the opposite side being identical thereto; and, FIG. 3 is an enlarged fragmentary front elevational view thereof.

In the drawings, the broken lines depict environmental subject matter only and form no part of the claimed design.

**1 Claim, 3 Drawing Sheets**



(56)

**References Cited**

U.S. PATENT DOCUMENTS

D735,116 S \* 7/2015 Chen ..... D12/532  
D735,643 S \* 8/2015 Fu ..... D12/584  
D737,752 S 9/2015 Shondel et al.  
D740,208 S \* 10/2015 Rohweder ..... D12/588  
D740,745 S \* 10/2015 Tian ..... D12/586  
D744,406 S \* 12/2015 Bosch Alsina ..... D12/521  
D762,557 S \* 8/2016 Xue ..... D12/586  
D772,795 S \* 11/2016 Hayashi ..... D12/590  
D772,797 S \* 11/2016 Ono ..... D12/595  
D775,060 S \* 12/2016 Saeki ..... D12/553  
2016/0082780 A1 \* 3/2016 Nagahara ..... B60C 11/042  
152/209.18  
2016/0152087 A1 \* 6/2016 Hayashi ..... B60C 11/1392  
152/209.18  
2016/0375728 A1 \* 12/2016 Kuriyama ..... B60C 11/0304  
152/209.8

\* cited by examiner



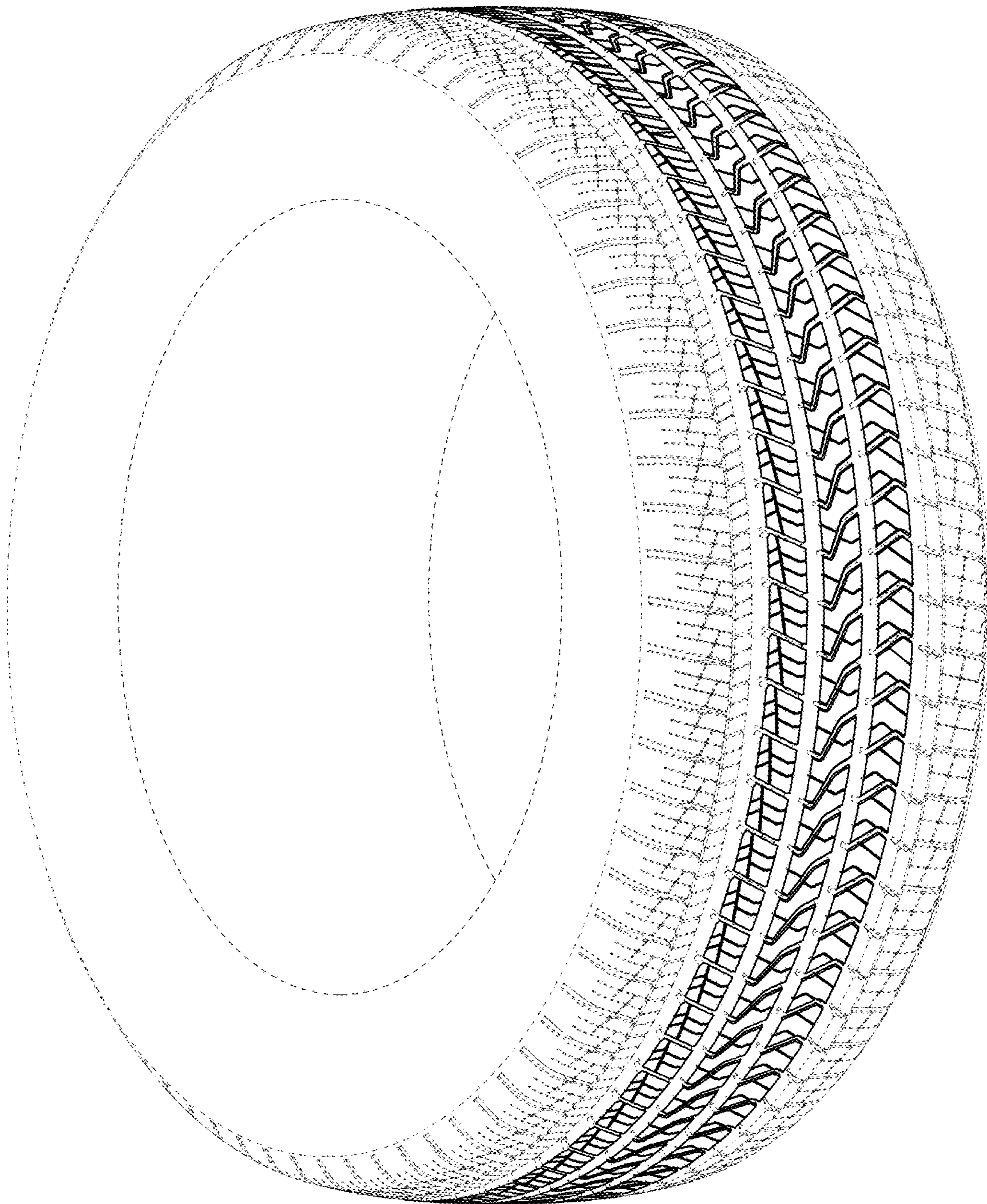


Fig. 1



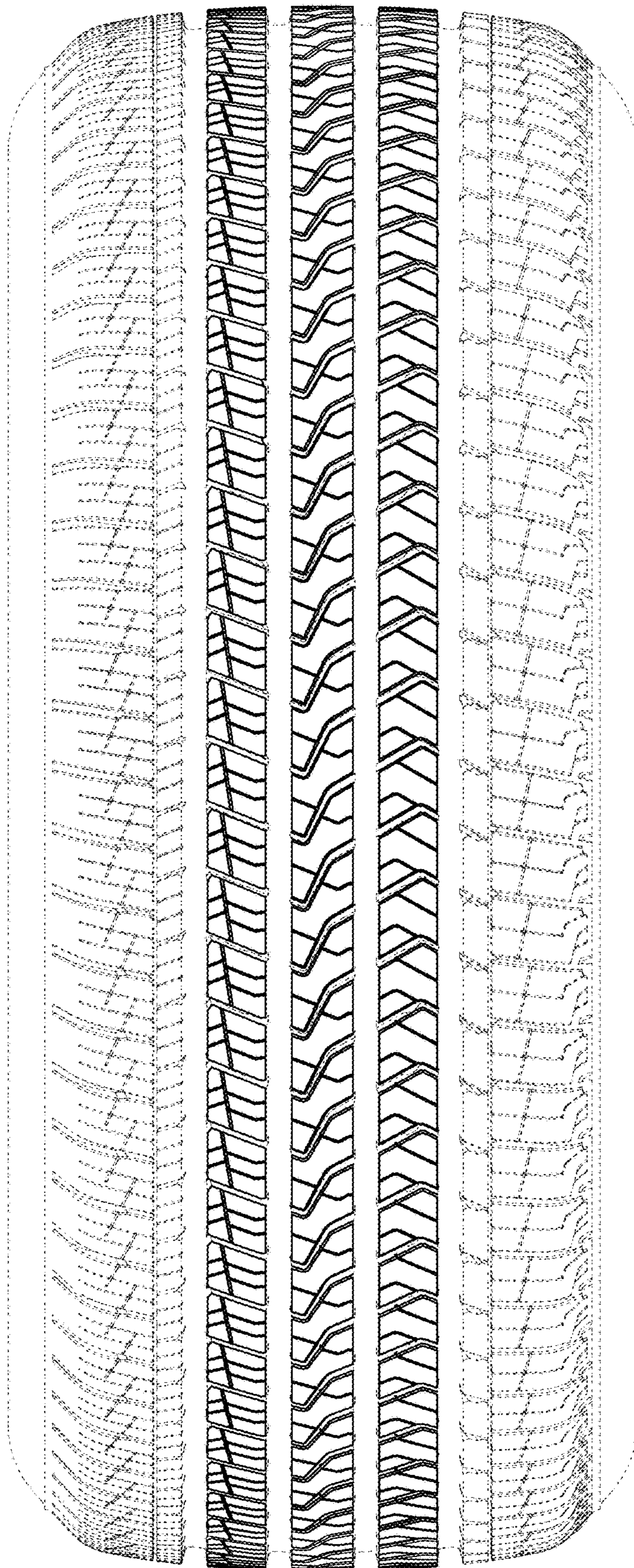


Fig. 2



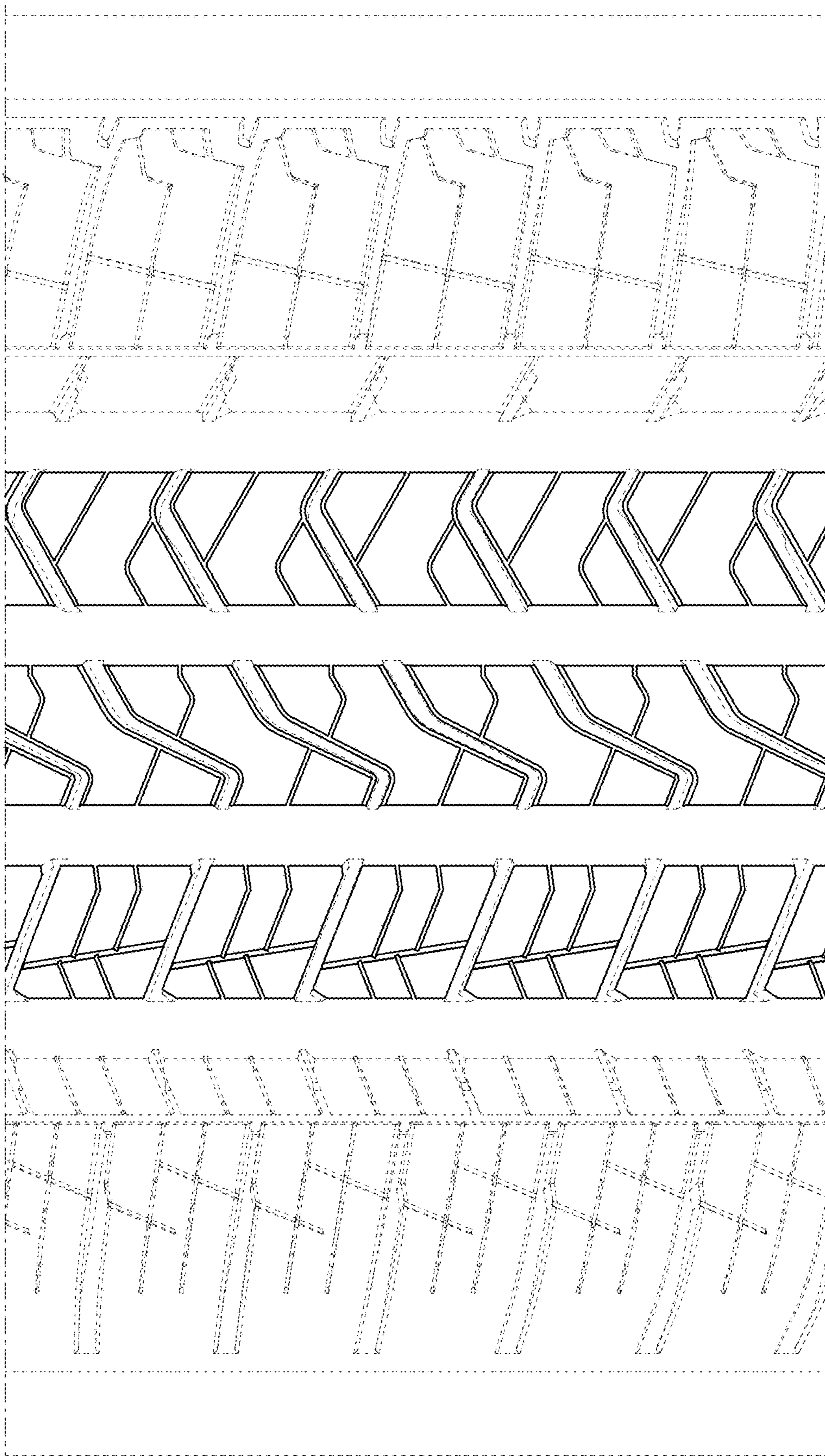


Fig. 3