



US00D798217S

(12) **United States Design Patent**  
**Valencia Pollex**

(10) **Patent No.:** **US D798,217 S**

(45) **Date of Patent:** **\*\* Sep. 26, 2017**

(54) **VEHICLE WHEEL RIM**

(71) Applicant: **AUDI AG**, Ingolstadt (DE)

(72) Inventor: **Andreas Valencia Pollex**, Ingolstadt (DE)

(73) Assignee: **AUDI AG**, Ingolstadt (DE)

(\*\*) Term: **15 Years**

(21) Appl. No.: **29/581,493**

(22) Filed: **Oct. 19, 2016**

(30) **Foreign Application Priority Data**

Apr. 22, 2016 (EM) ..... 003 081 462-0008

(51) **LOC (10) Cl.** ..... **12-16**

(52) **U.S. Cl.**  
USPC ..... **D12/211**

(58) **Field of Classification Search**  
USPC ..... D12/204–213

CPC .... B60B 7/00; B60B 7/02; B60B 7/04; B60B 7/01; B60B 7/06; B60B 3/02; B60B 3/04; B60B 3/06; B60B 3/10; B60B 1/00; B60B 1/08; B60B 1/10; B60B 1/12

See application file for complete search history.

(56) **References Cited**

**U.S. PATENT DOCUMENTS**

D569,322 S \* 5/2008 Scheu ..... D12/211  
D574,311 S \* 8/2008 Chung ..... D12/209

D588,517 S \* 3/2009 Aroney ..... D12/211  
D590,322 S \* 4/2009 Rak ..... D12/211  
D655,657 S \* 3/2012 Juergens ..... D12/209  
D666,958 S \* 9/2012 Suzuki ..... D12/211  
D678,164 S \* 3/2013 Badstuebner ..... D12/211  
D686,132 S \* 7/2013 Truebsbach ..... D12/209  
D686,134 S \* 7/2013 Amezqueta ..... D12/211  
D691,081 S \* 10/2013 Watkin ..... D12/211  
D708,110 S \* 7/2014 Borkert ..... D12/211  
D726,628 S \* 4/2015 Kong ..... D12/211  
D746,212 S \* 12/2015 Valencia Pollex ..... D12/211  
D756,287 S \* 5/2016 Koglin ..... D12/211  
D759,564 S \* 6/2016 Valencia Pollex ..... D12/209  
D759,566 S \* 6/2016 Valencia Pollex ..... D12/211  
D788,003 S \* 5/2017 Conforzi ..... D12/209  
D791,668 S \* 7/2017 Murase ..... D12/209  
D791,670 S \* 7/2017 Valencia Pollex ..... D12/209

\* cited by examiner

*Primary Examiner* — Stacia Cadmus

(74) *Attorney, Agent, or Firm* — Lucas & Mercanti, LLP; Klaus P. Stoffel

(57) **CLAIM**

The ornamental design for a vehicle wheel rim, as shown and described.

**DESCRIPTION**

FIG. 1 is a front view of the vehicle wheel rim of the present invention; and, FIG. 2 is a front, side perspective view thereof.

**1 Claim, 2 Drawing Sheets**

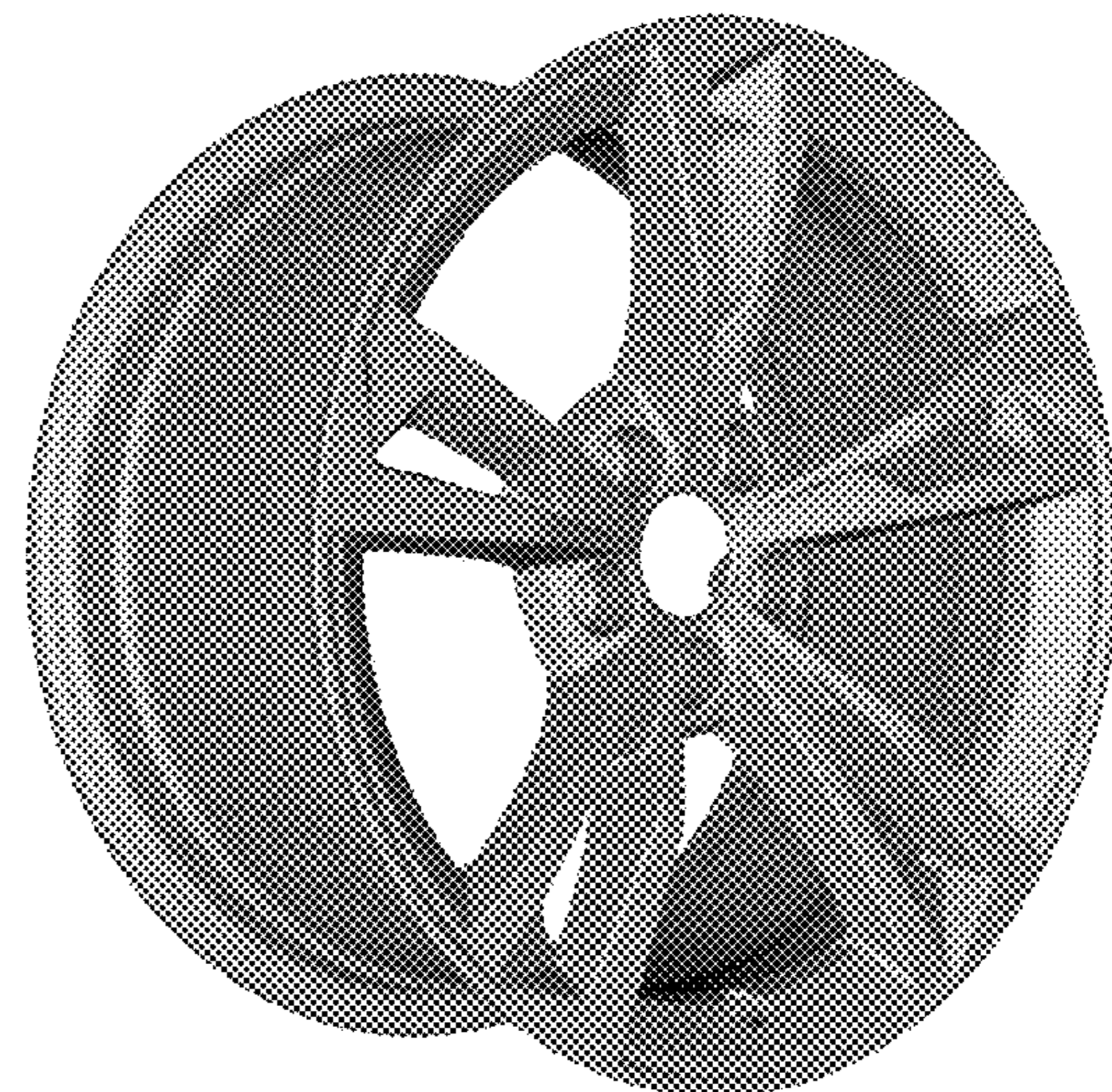
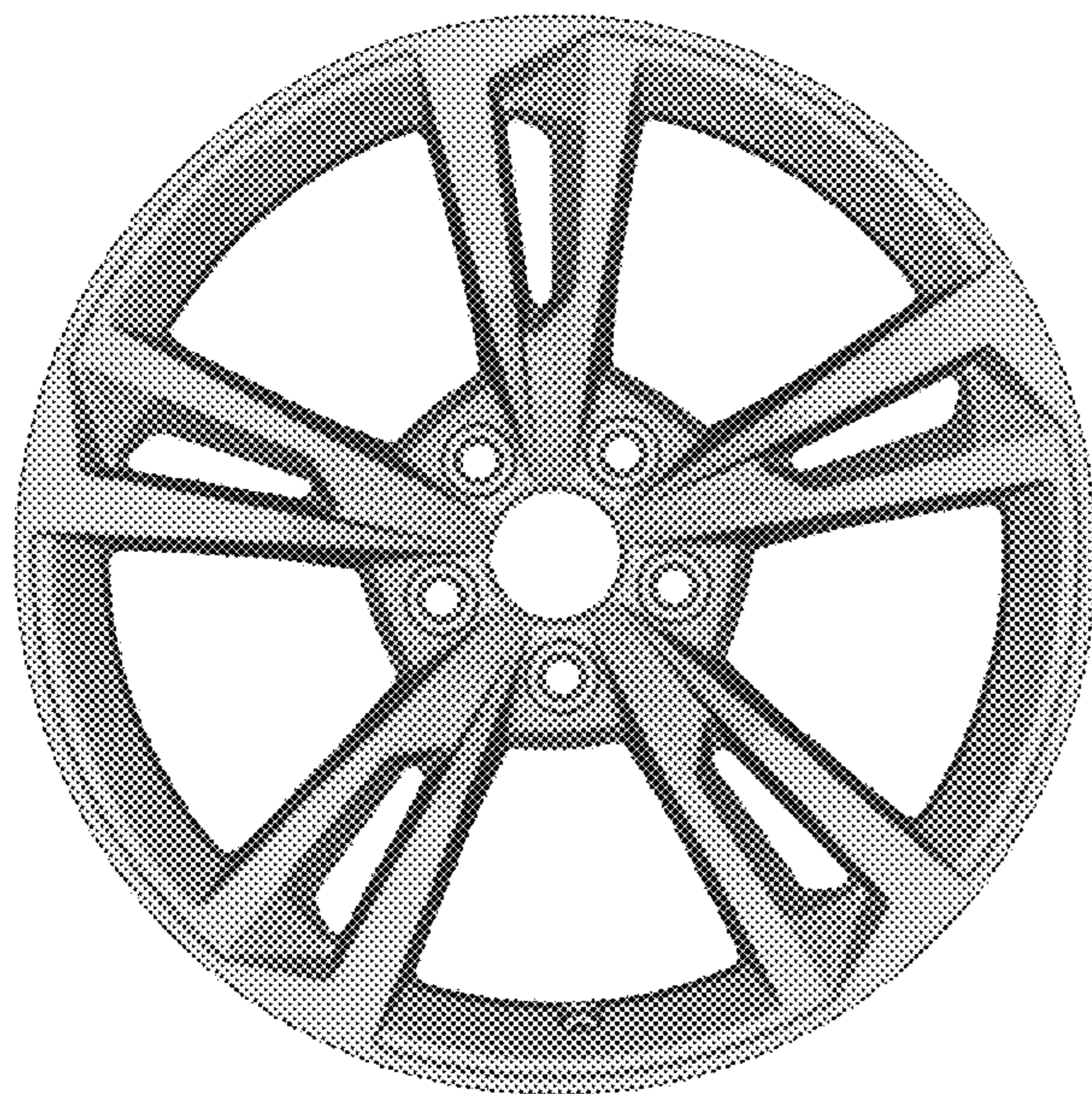




Fig. 1



Fig. 2