



US00D798216S

(12) **United States Design Patent** (10) **Patent No.:** **US D798,216 S**
Snyder et al. (45) **Date of Patent:** **** Sep. 26, 2017**

(54) **WHEEL**
(71) Applicant: **HONDA MOTOR CO., LTD.**,
Minato-ku, Tokyo (JP)
(72) Inventors: **Paul Snyder**, Torrance, CA (US);
Roger Brown, Corona, CA (US);
Catalin Matei, Raymond, OH (US)
(73) Assignee: **HONDA MOTOR CO., LTD.**, Tokyo
(JP)
(**) Term: **15 Years**

(21) Appl. No.: **29/558,864**
(22) Filed: **Mar. 22, 2016**
(51) **LOC (10) Cl.** **12-16**
(52) **U.S. Cl.**
USPC **D12/211**
(58) **Field of Classification Search**
USPC D12/204–213
CPC B60B 7/00; B60B 7/02; B60B 7/04; B60B
7/01; B60B 7/06; B60B 3/02; B60B 3/04;
B60B 3/06; B60B 3/10; B60B 1/00;
B60B 1/08; B60B 1/10; B60B 1/12
See application file for complete search history.

(56) **References Cited**
U.S. PATENT DOCUMENTS
D286,278 S * 10/1986 Sandberg D12/211
D451,466 S * 12/2001 Fujii D12/211
D486,110 S * 2/2004 Elmitt D12/211
D502,909 S * 3/2005 Pfeiffer D12/211
D570,274 S * 6/2008 Scheu D12/211
D581,852 S * 12/2008 Scheu D12/211
D594,804 S * 6/2009 Laengerer D12/211
D609,156 S * 2/2010 Rider D12/211
D614,114 S * 4/2010 Kim D12/211

D663,248 S * 7/2012 Kogawa D12/209
D676,794 S * 2/2013 Hilpert D12/209
D689,808 S * 9/2013 Buck D12/209
D706,194 S * 6/2014 Hanaoka D12/209
D708,111 S * 7/2014 Platto D12/211
D716,712 S * 11/2014 Lemke D12/211
D729,137 S * 5/2015 Muntada Roura D12/209
D744,399 S * 12/2015 Juergens D12/209
D751,021 S * 3/2016 Vaya D12/211
D764,373 S * 8/2016 Valencia Pollex D12/211
D766,806 S * 9/2016 Tannen D12/211
D770,959 S * 11/2016 Chung D12/211
D775,578 S * 1/2017 Johnson D12/211
D779,408 S * 2/2017 Chung D12/211
D781,769 S * 3/2017 Valencia Pollex D12/211

* cited by examiner

Primary Examiner — Stacia Cadmus
(74) *Attorney, Agent, or Firm* — Arent Fox LLP

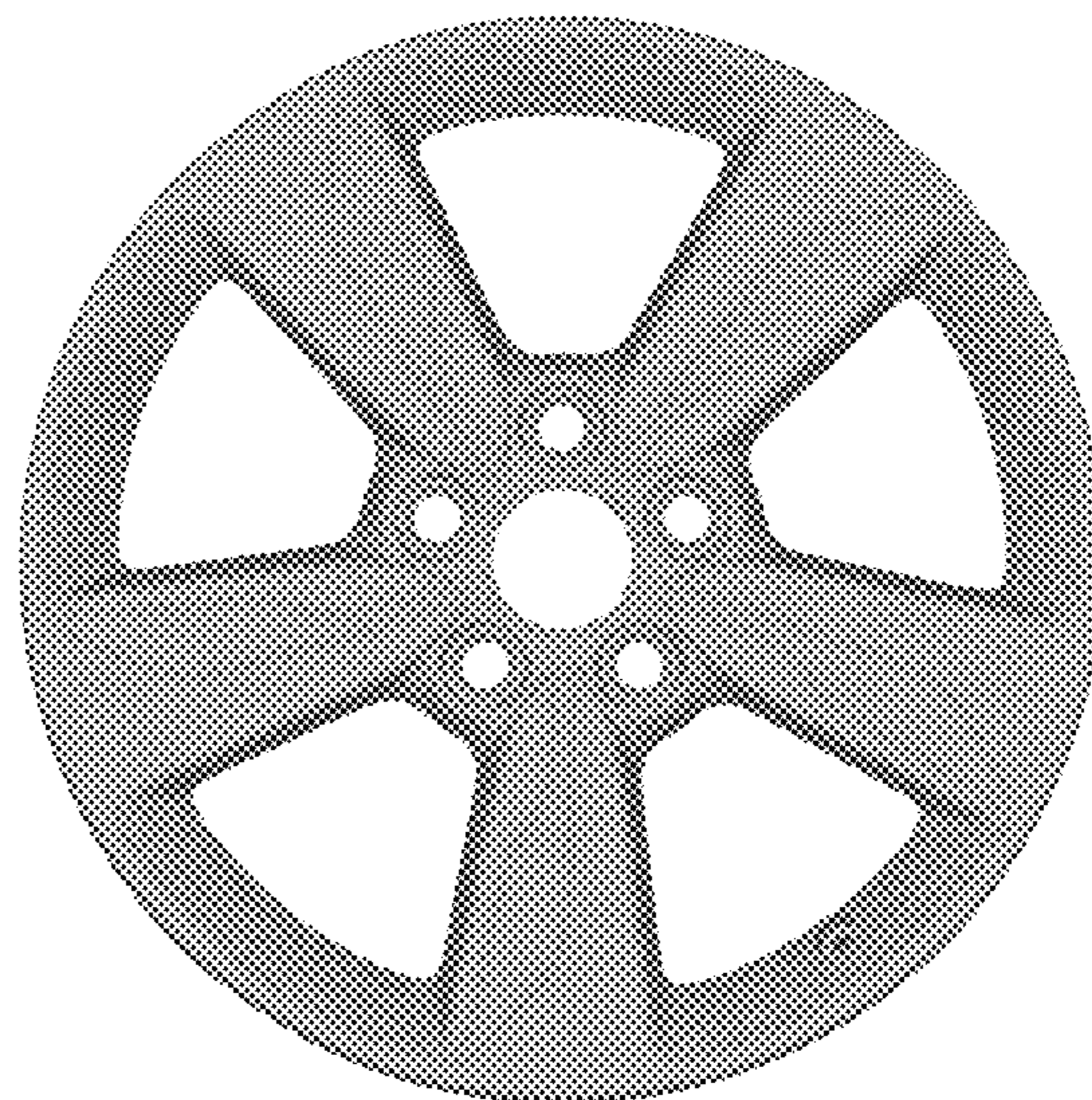
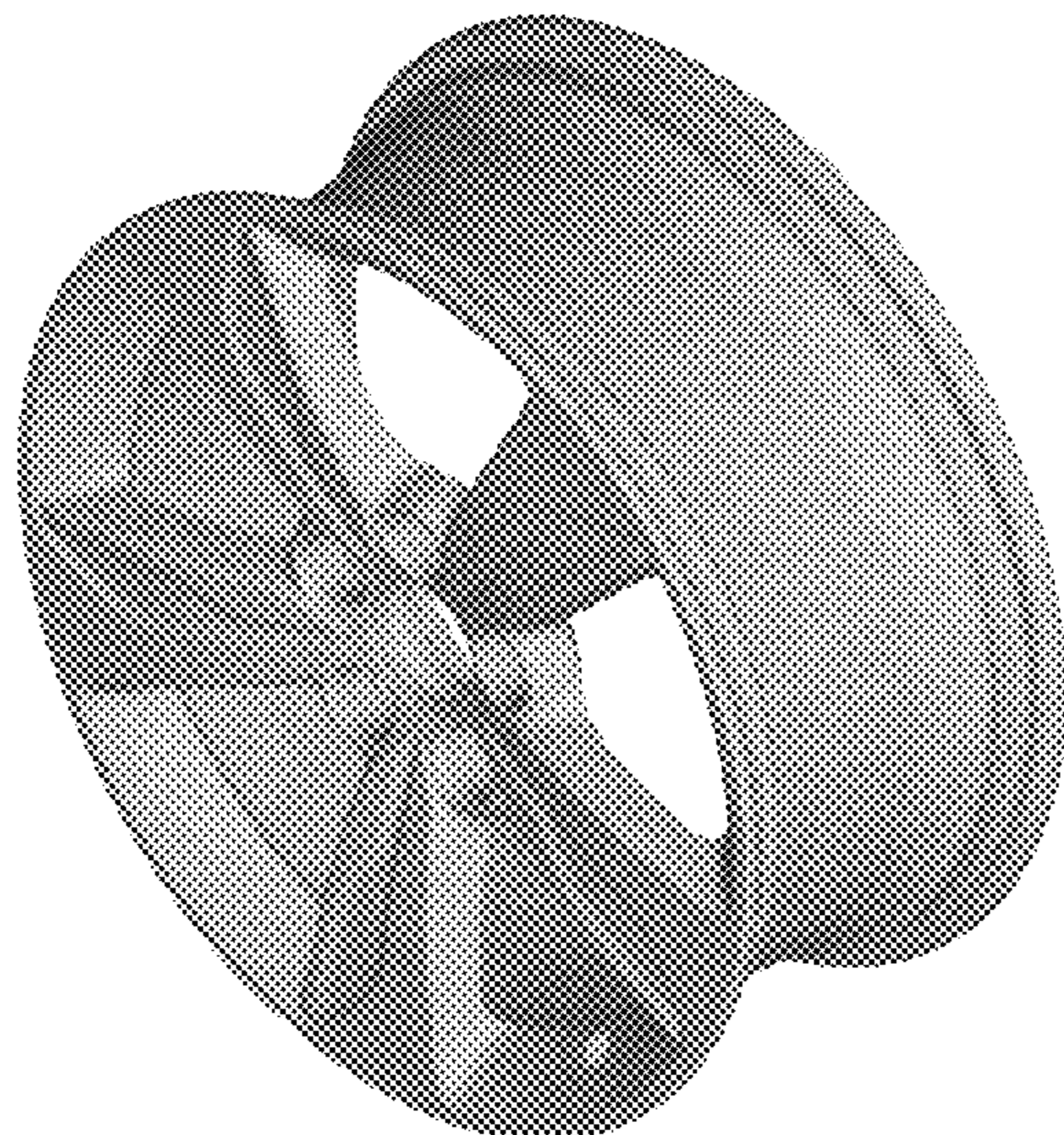
(57) **CLAIM**

The ornamental design for a wheel, as shown and described.

DESCRIPTION

FIG. 1 is a front left perspective view of a wheel showing our new design;
FIG. 2 is a back right perspective view of the design shown in FIG. 1;
FIG. 3 is a back left perspective view of the design shown in FIG. 1;
FIG. 4 is a front right perspective view shown in FIG. 1;
FIG. 5 is a left side view of the design shown in FIG. 1;
FIG. 6 is a right side view of the design shown in FIG. 1;
FIG. 7 is a back view of the design shown in FIG. 1;
FIG. 8 is a front view of the design shown in FIG. 1;
FIG. 9 is a top side view of the design shown in FIG. 1; and,
FIG. 10 is a bottom side view of the design shown in FIG. 1.

1 Claim, 10 Drawing Sheets



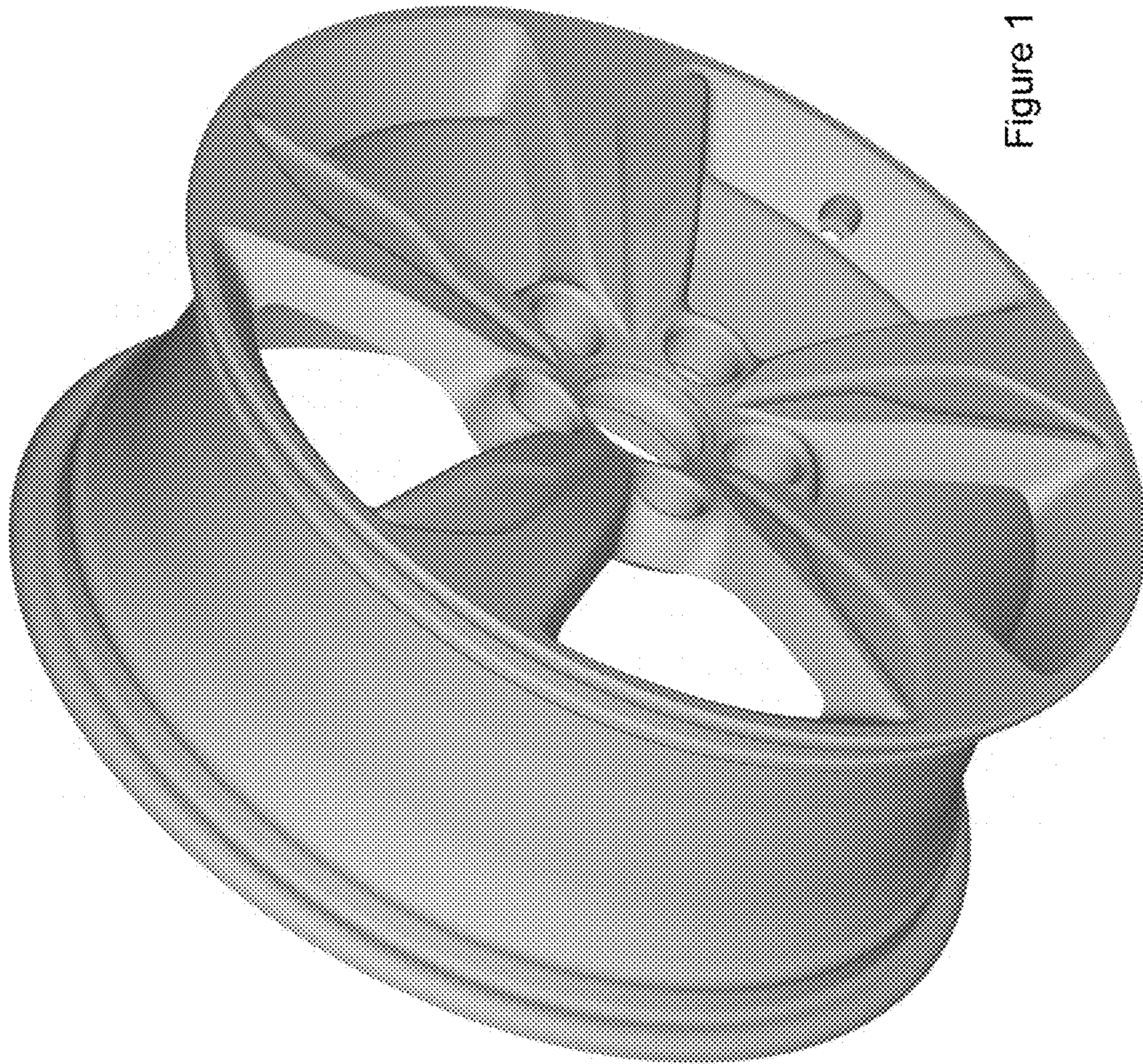


Figure 1

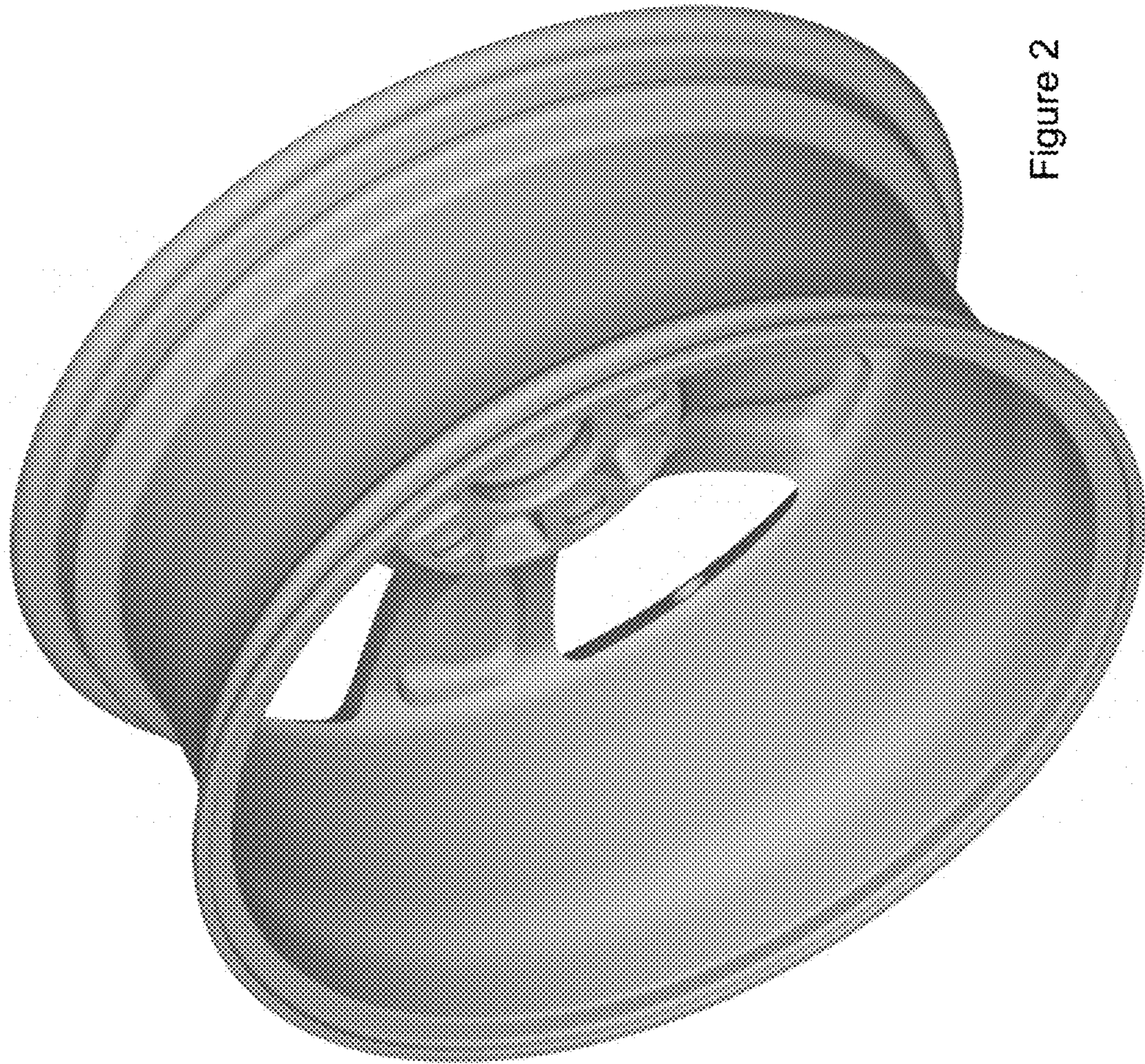


Figure 2

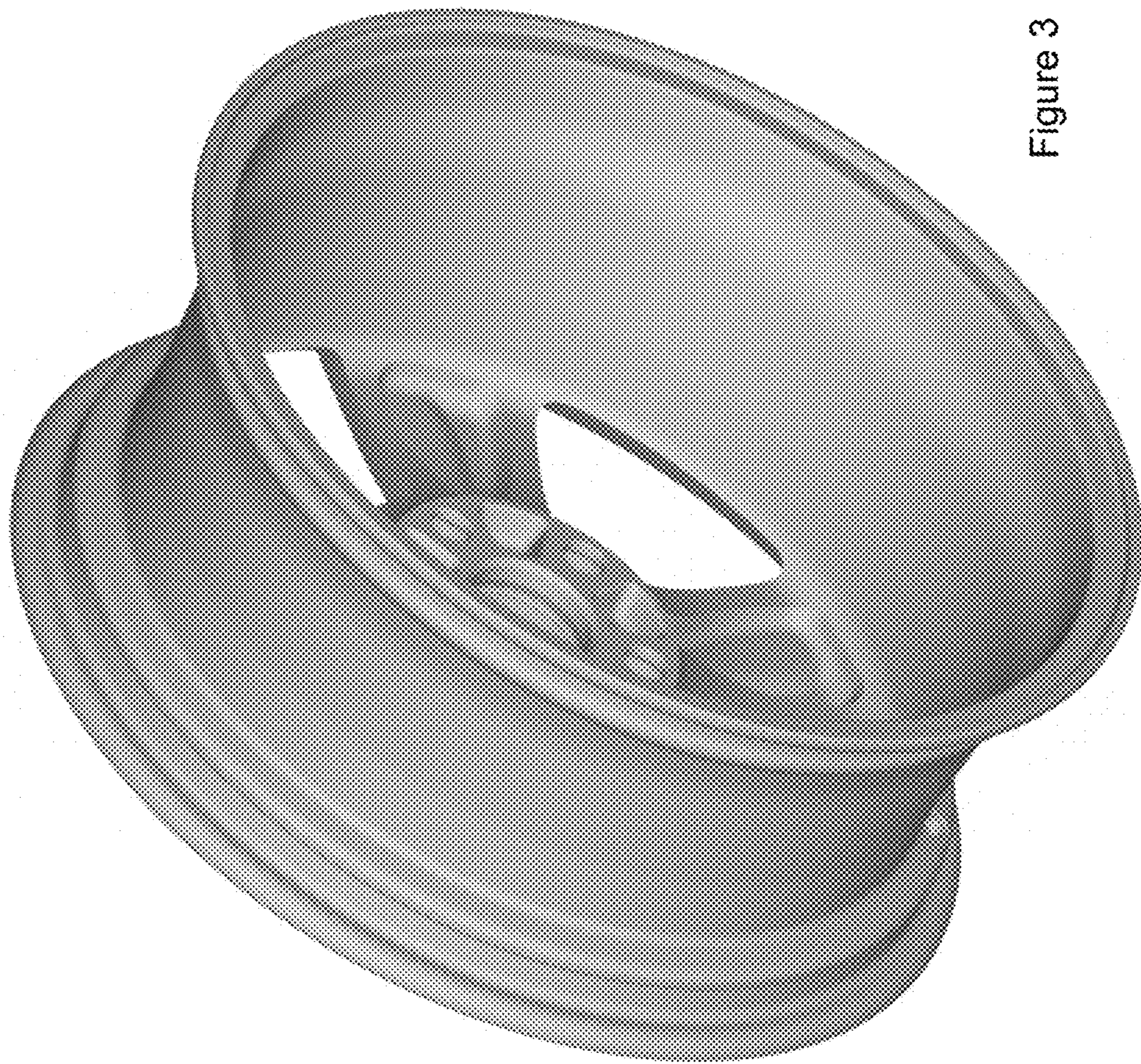


Figure 3

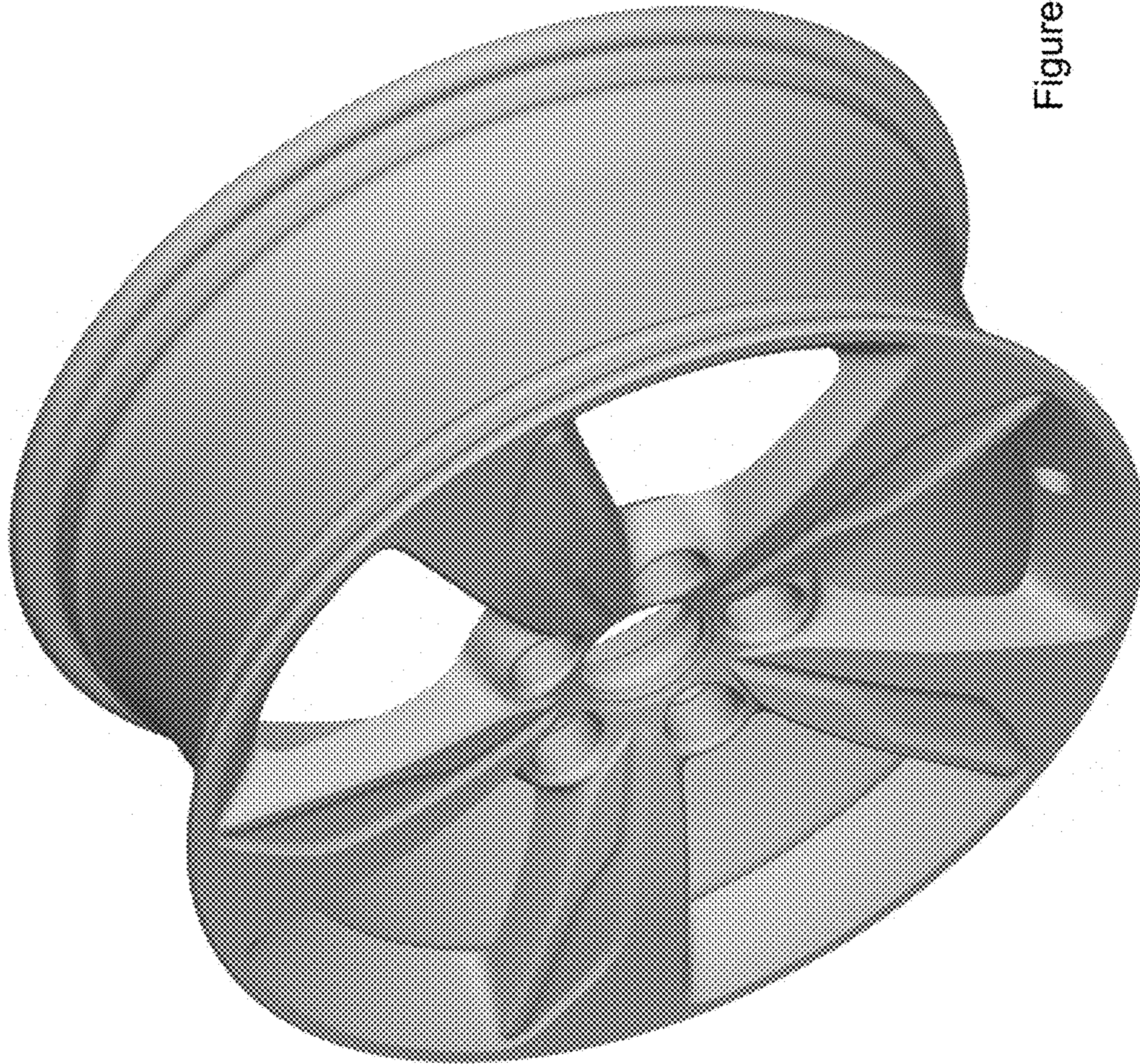


Figure 4

Figure 5

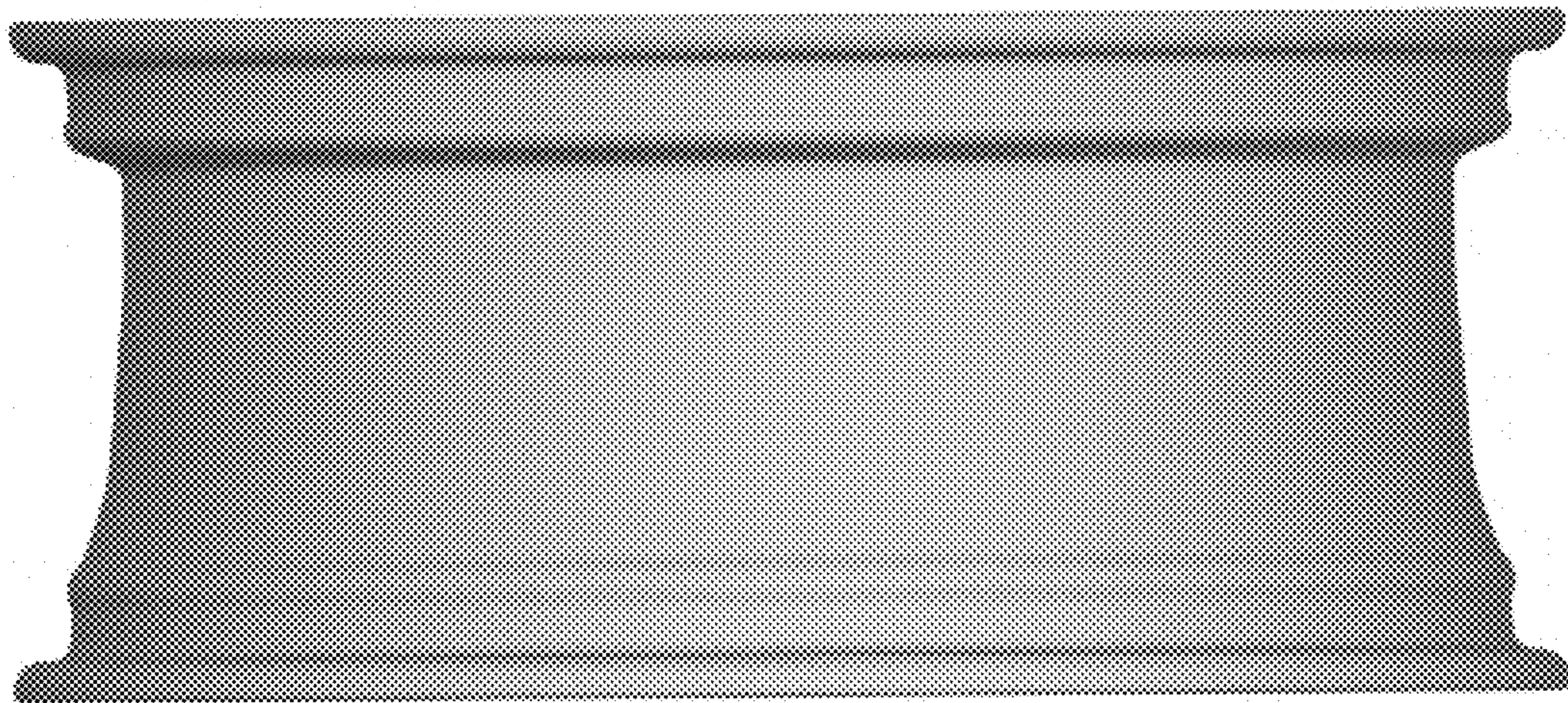
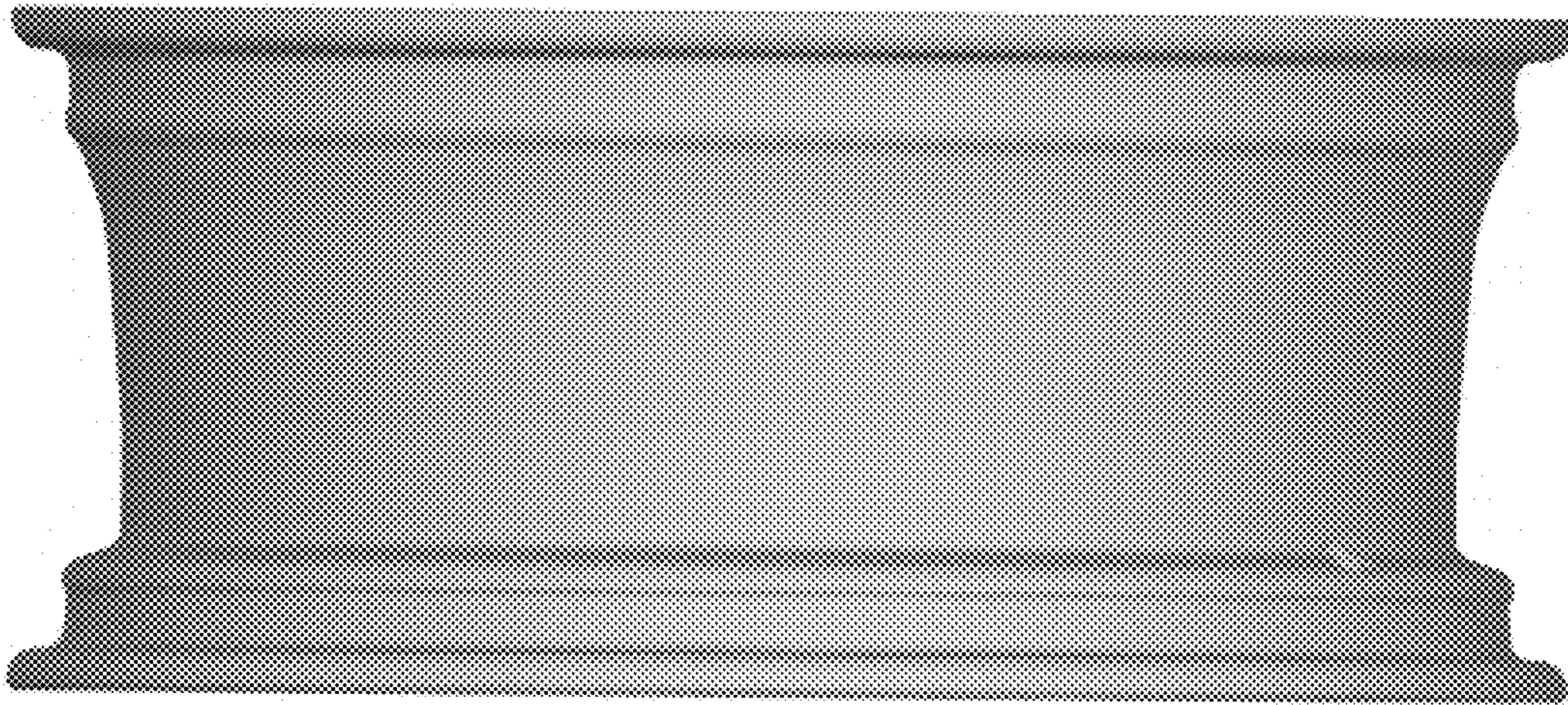


Figure 6



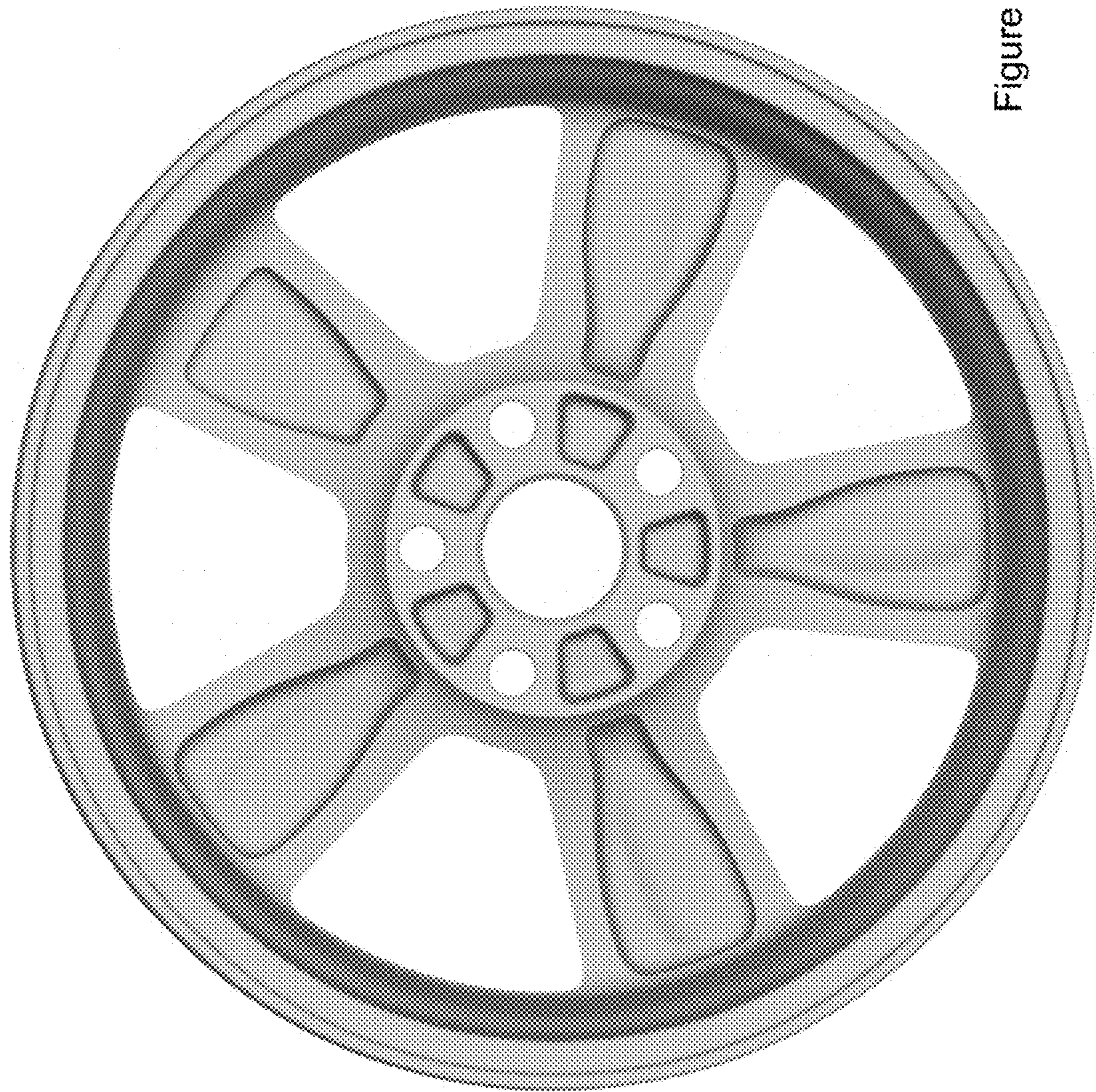


Figure 7

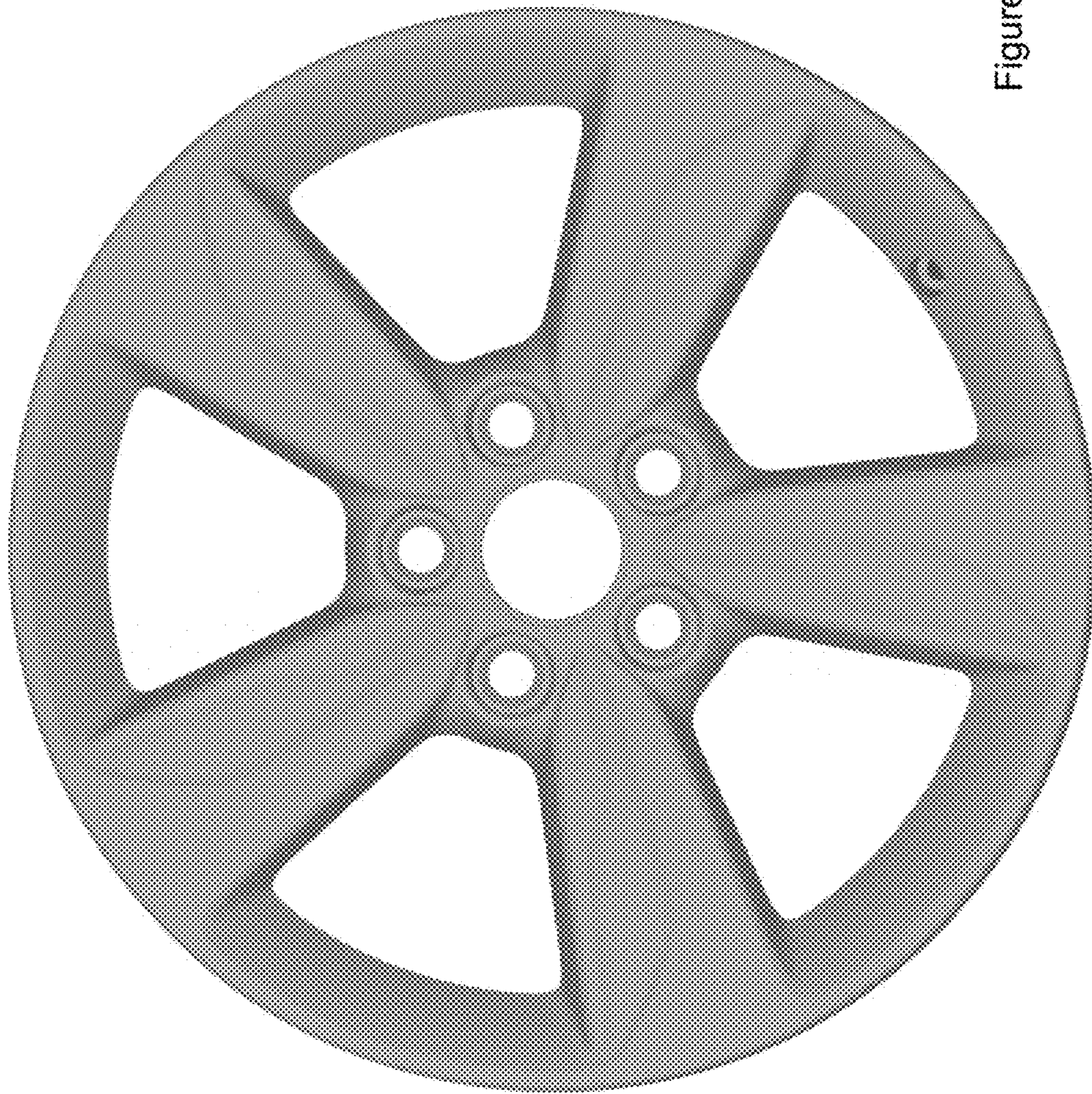


Figure 8

Figure 9

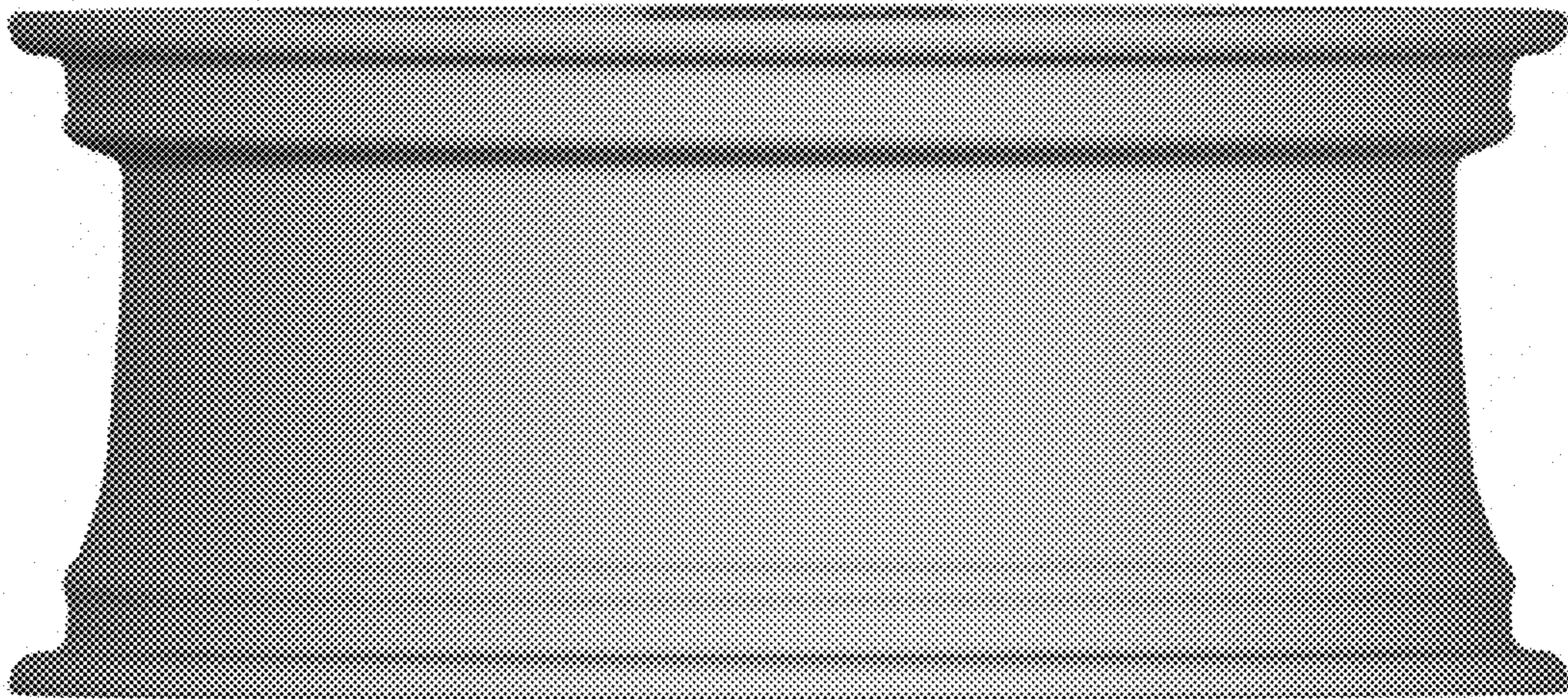


Figure 10

