



US00D798212S

(12) **United States Design Patent**
Chung

(10) **Patent No.:** **US D798,212 S**

(45) **Date of Patent:** **** Sep. 26, 2017**

(54) **AUTOMOTIVE WHEEL**

(71) Applicant: **Suny Chung**, Anaheim, CA (US)

(72) Inventor: **Suny Chung**, Anaheim, CA (US)

(**) Term: **15 Years**

(21) Appl. No.: **29/551,858**

(22) Filed: **Jan. 18, 2016**

(51) **LOC (10) Cl.** **12-16**

(52) **U.S. Cl.**

USPC **D12/209**

(58) **Field of Classification Search**

USPC D12/204–213

CPC B60B 7/00; B60B 7/02; B60B 7/04; B60B

7/01; B60B 7/06; B60B 3/02; B60B 3/04;

B60B 3/06; B60B 3/10; B60B 1/00;

B60B 1/08; B60B 1/10; B60B 1/12

See application file for complete search history.

(56) **References Cited**

U.S. PATENT DOCUMENTS

D311,896 S * 11/1990 Mori D12/209

D414,155 S * 9/1999 Doyle D12/211

D523,799 S * 6/2006 Ianniello D12/209

D553,069 S * 10/2007 Ettensberger D12/211

D622,199 S * 8/2010 Gallert D12/211

D630,566 S * 1/2011 Ebel D12/209

D638,340 S * 5/2011 Park D12/209

D651,959 S * 1/2012 Groom D12/209

D686,134 S * 7/2013 Amezketa D12/211

D695,670 S * 12/2013 De Bono D12/209

D697,005 S * 1/2014 Juergens D12/209

D754,581 S * 4/2016 Gallert D12/209

D758,275 S * 6/2016 Patel D12/209

D759,562 S * 6/2016 Wheel D12/209

D762,545 S * 8/2016 Hodges D12/209

* cited by examiner

Primary Examiner — Stacia Cadmus

(57) **CLAIM**

The ornamental design for an automotive wheel, as shown and described.

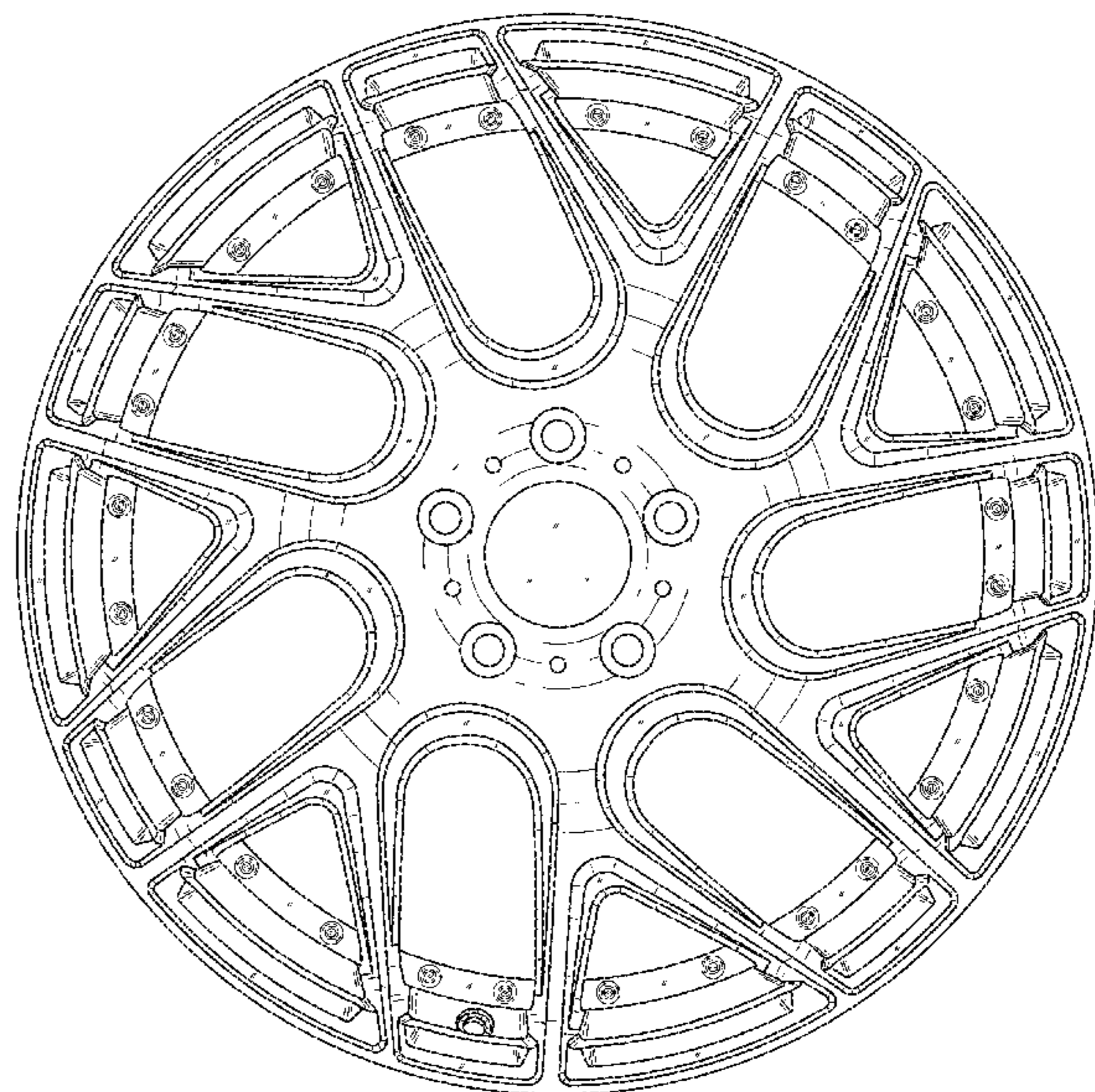
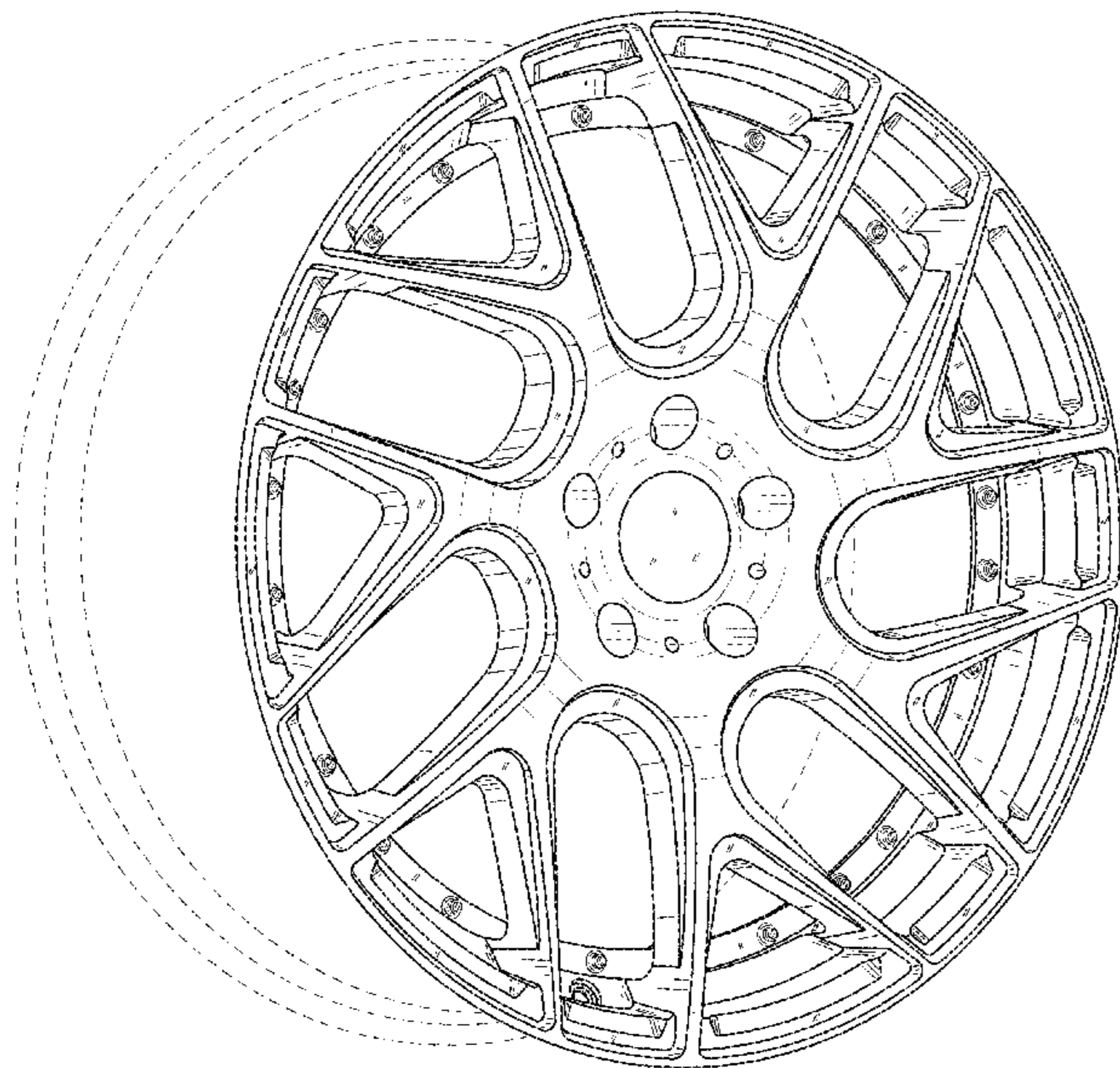
DESCRIPTION

FIG. 1 is a perspective view of an automotive wheel, showing my new design; and,

FIG. 2 is a front view thereof.

The broken line showing of the rear portion of the wheel is included for the purpose of illustrating environment and forms no part of the claimed design.

1 Claim, 2 Drawing Sheets



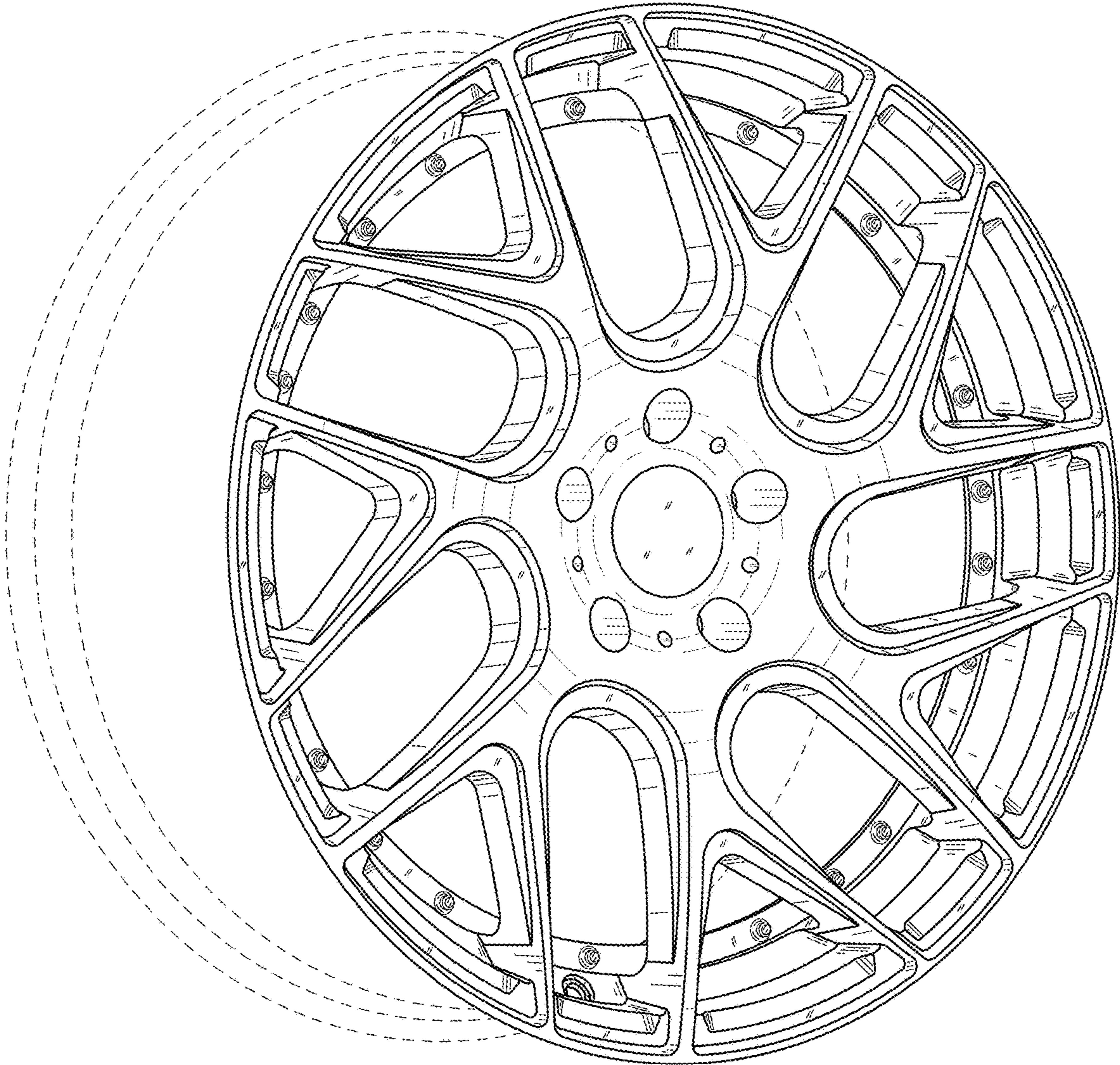


FIGURE 1

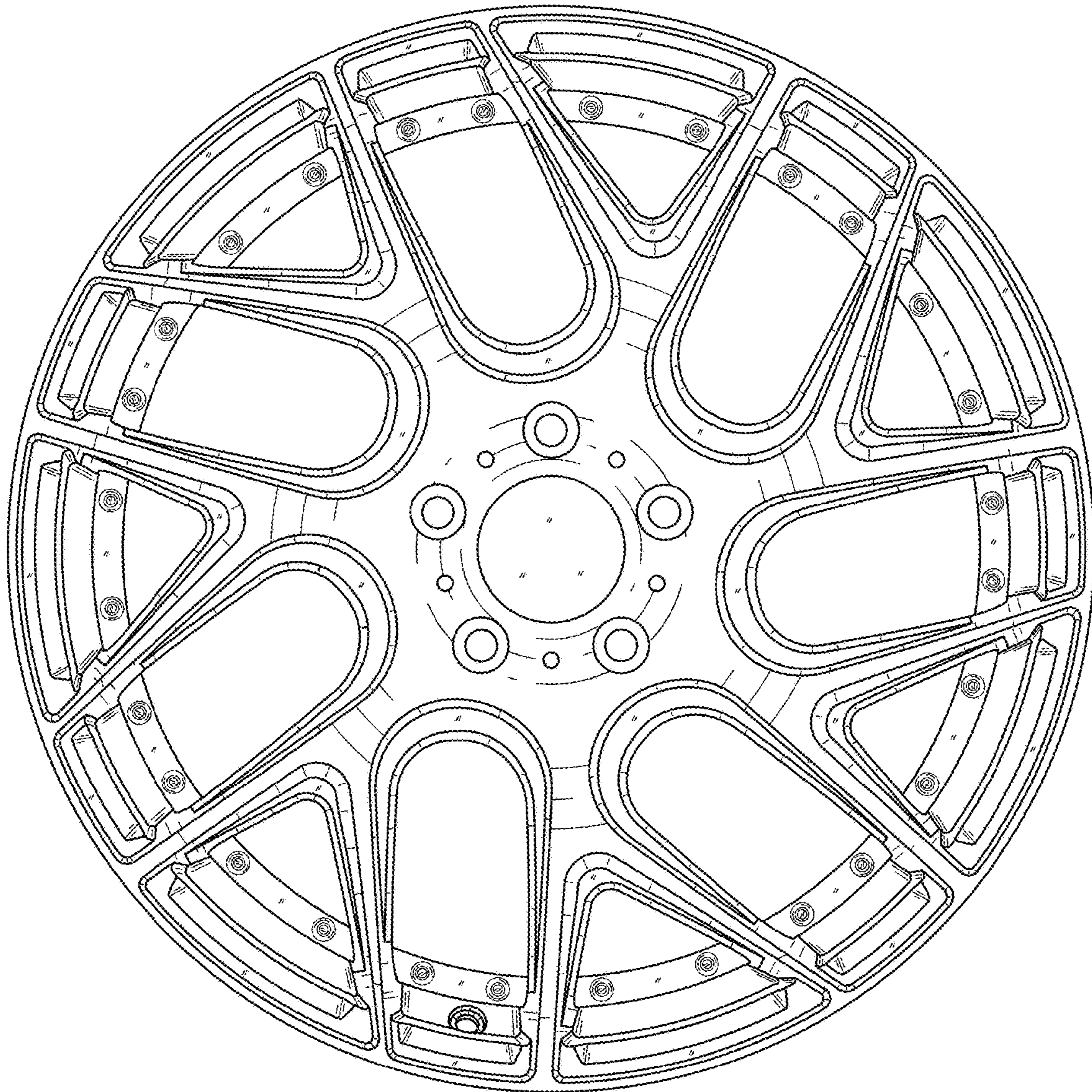


FIGURE 2