



US00D798205S

(12) **United States Design Patent** (10) **Patent No.:** **US D798,205 S**
Kim (45) **Date of Patent:** **** Sep. 26, 2017**

(54) **AUTOMOTIVE STEERING WHEEL**

(71) Applicant: **SAMSUNG DISPLAY CO., LTD.**,
Yongin-si, Gyeonggi-do (KR)

(72) Inventor: **Min Soo Kim**, Seoul (KR)

(73) Assignee: **Samsung Display Co., Ltd.**, Yongin-si
(KR)

(**) Term: **15 Years**

(21) Appl. No.: **29/576,346**

(22) Filed: **Sep. 1, 2016**

(30) **Foreign Application Priority Data**

Mar. 3, 2016 (KR) 30-2016-0009817

(51) **LOC (10) Cl.** **12-16**

(52) **U.S. Cl.**
USPC **D12/176**

(58) **Field of Classification Search**
USPC D12/175, 176; 74/552, 558, 558.5
CPC B60R 21/203; B60R 21/05; B62D 1/04
See application file for complete search history.

(56) **References Cited**

U.S. PATENT DOCUMENTS

D630,983 S *	1/2011	Frank	D12/176
D649,095 S *	11/2011	Frank	D12/176
D671,464 S *	11/2012	Baccus	D12/176
D696,992 S *	1/2014	Pohanka	D12/176
D697,851 S	1/2014	Woo et al.		
D703,594 S *	4/2014	Kim	D12/176
D704,108 S *	5/2014	Frank	D12/176
D716,203 S *	10/2014	Nakai	D12/176
D723,448 S	3/2015	Woo et al.		
D741,759 S *	10/2015	Persson	D12/176
D743,858 S *	11/2015	Sugiura	D12/176

D743,860 S *	11/2015	Nagumo	D12/176
D758,932 S *	6/2016	Schowalter	D12/176
D758,933 S *	6/2016	Owaku	D12/176
D760,134 S *	6/2016	Montousse	D12/176
D770,342 S *	11/2016	Pohanka	D12/176
D772,124 S *	11/2016	Lee	D12/176
D776,584 S *	1/2017	Meissner	D12/176

FOREIGN PATENT DOCUMENTS

JP	D1490386 S	1/2014
JP	D1490598 S	1/2014

* cited by examiner

Primary Examiner — Melody N Brown

(74) *Attorney, Agent, or Firm* — Lewis Roca Rothgerber
Christie LLP

(57) **CLAIM**

The ornamental design for an automotive steering wheel, as shown and described.

DESCRIPTION

FIG. 1 is a perspective view of an automotive steering wheel;
FIG. 2 is a front view thereof;
FIG. 3 is a rear view thereof;
FIG. 4 is a left side view thereof;
FIG. 5 is a right side view thereof;
FIG. 6 is a top view thereof;
FIG. 7 is a bottom view thereof; and,
FIG. 8 is another perspective view thereof.
The broken line portions of the steering wheel shown throughout the drawing views and the text word “display” and lead lines shown in FIG. 8 are for environmental, descriptive and illustrative purposes only and form no part of the claimed design.

1 Claim, 8 Drawing Sheets

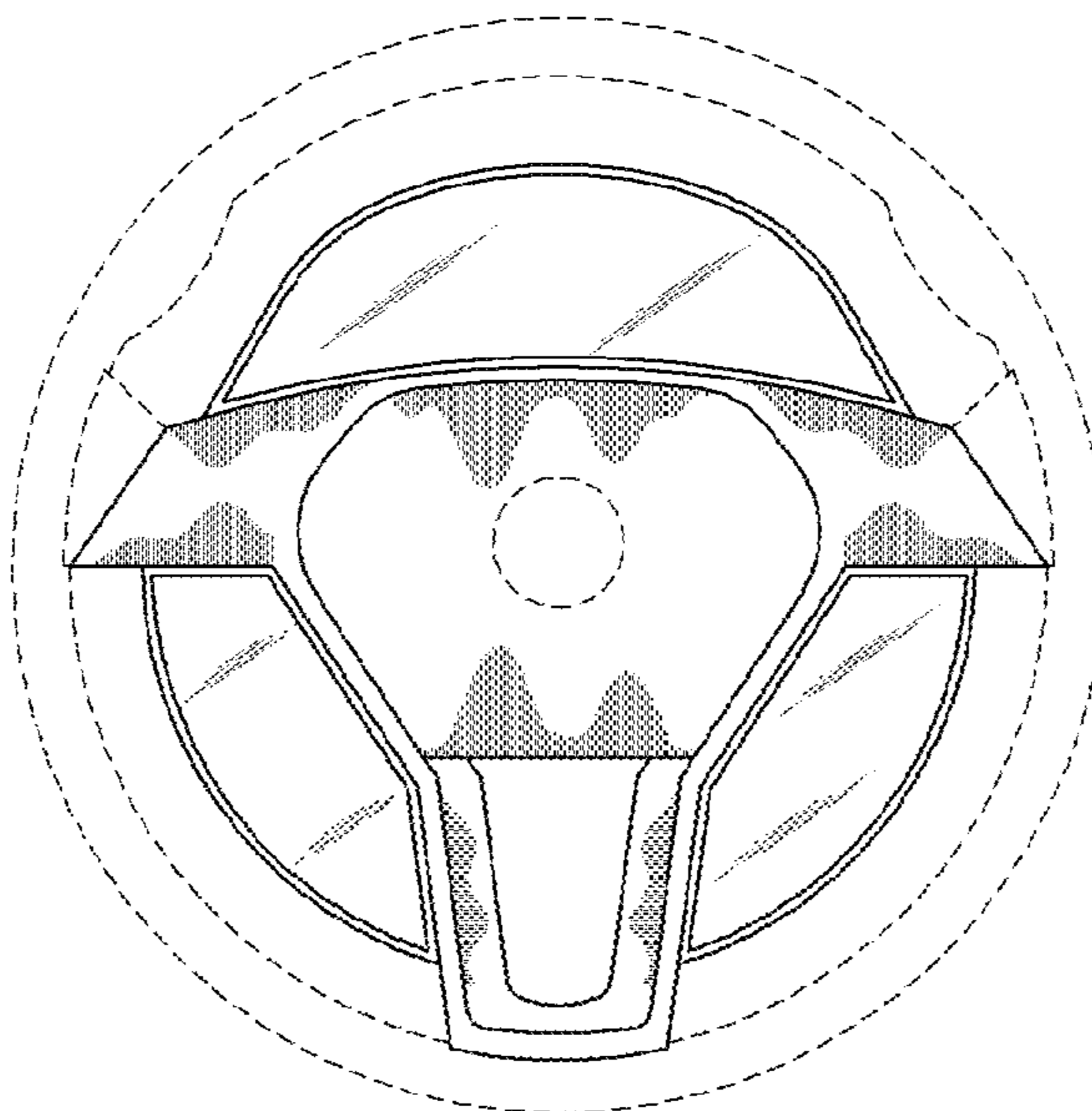


FIG. 1

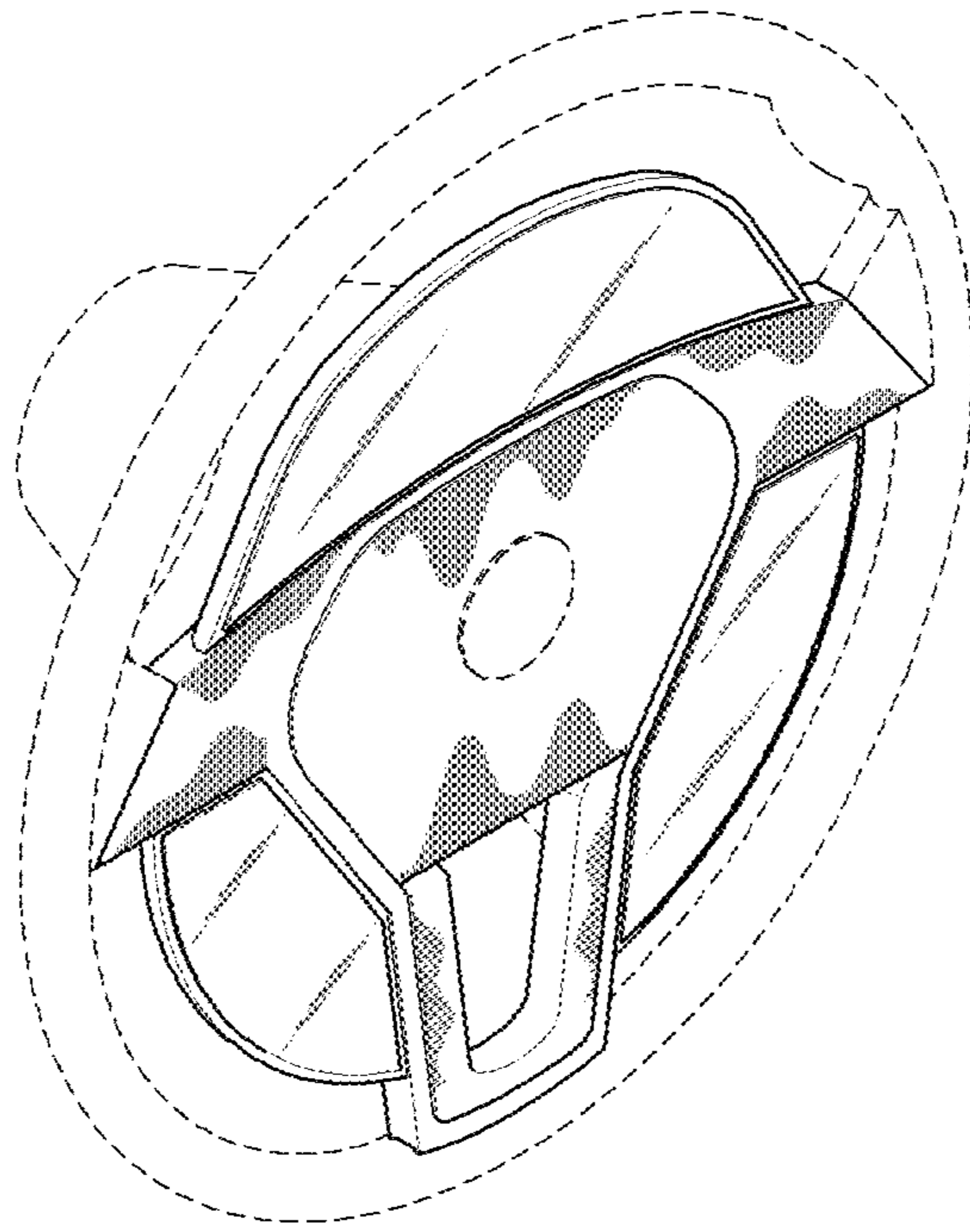


FIG. 2

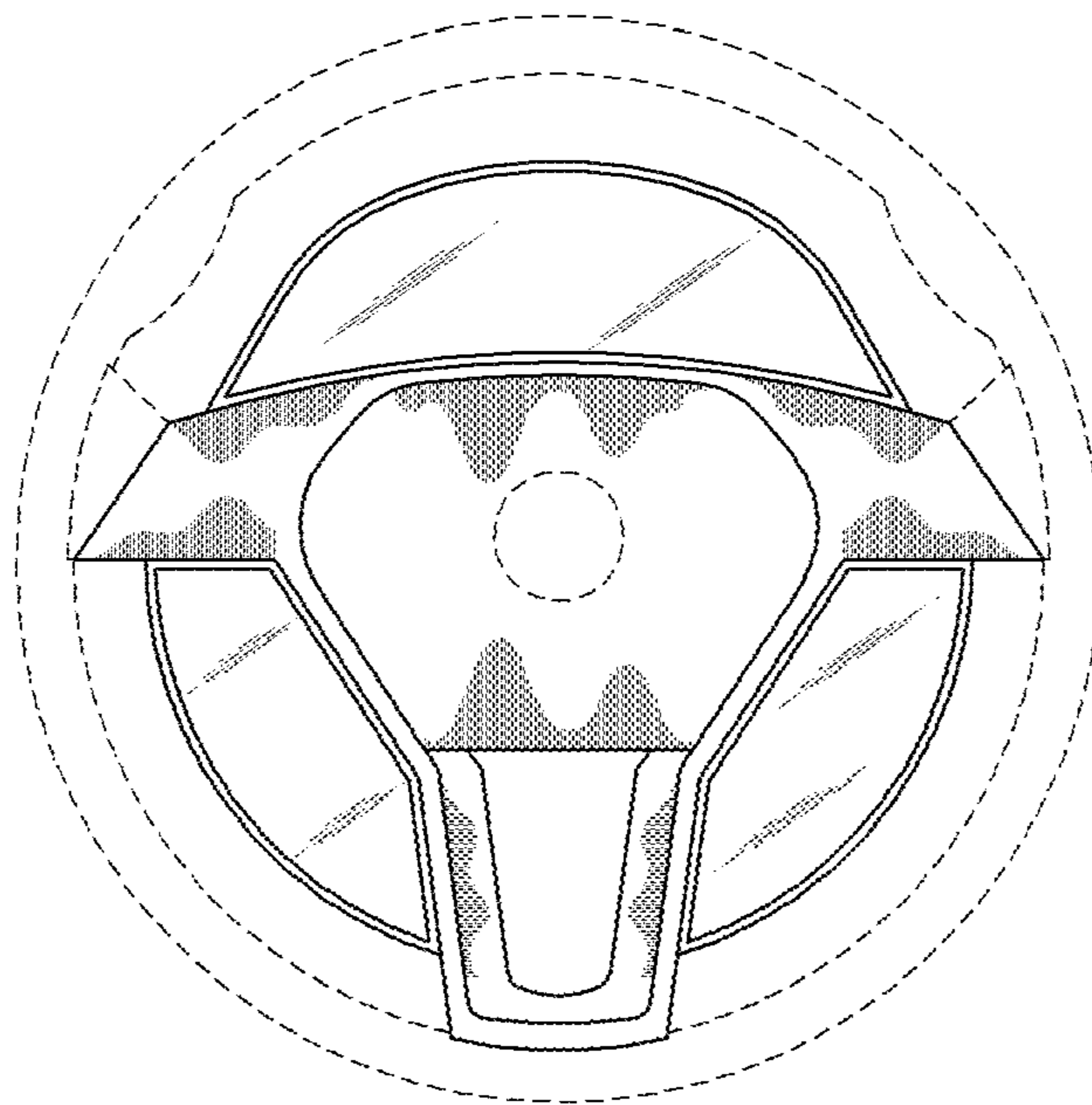


FIG. 3

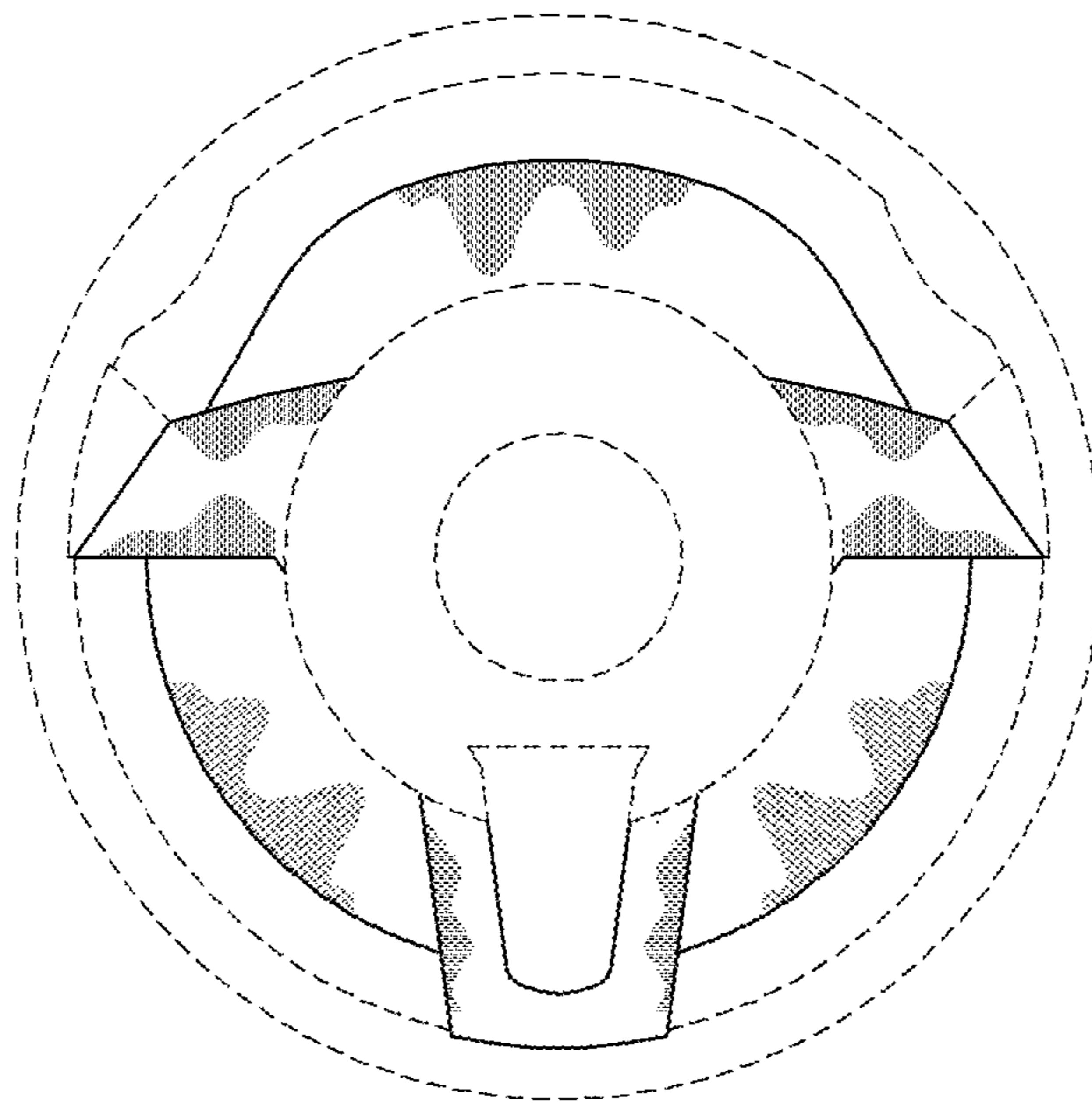


FIG. 4

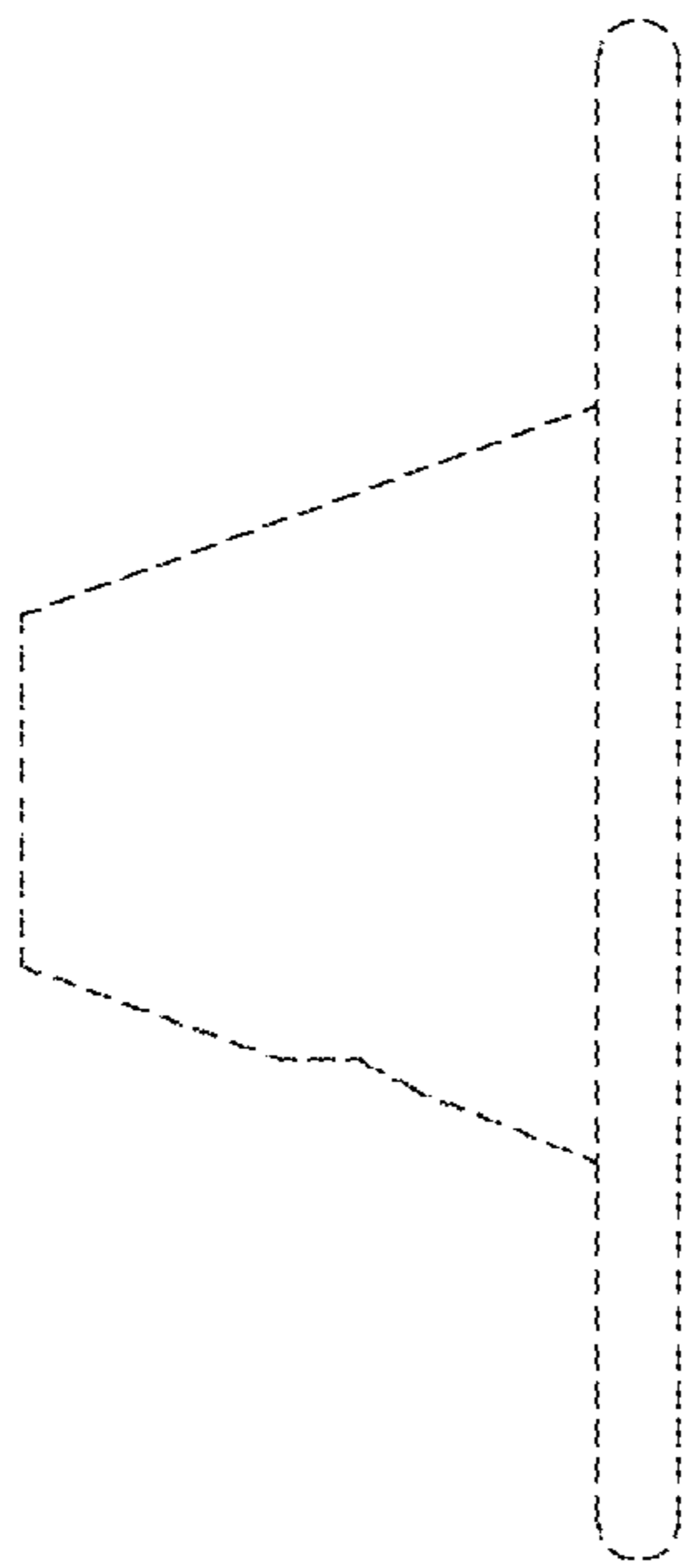


FIG. 5

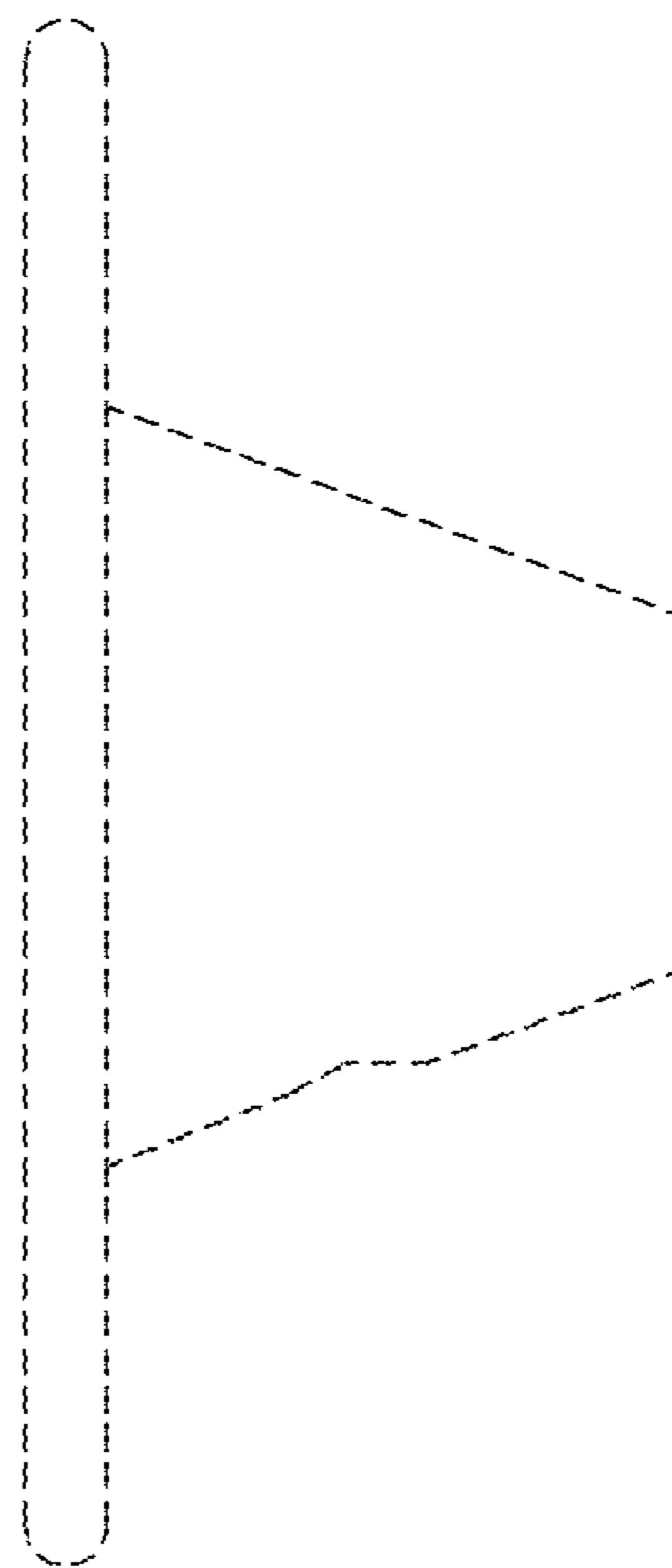


FIG. 6

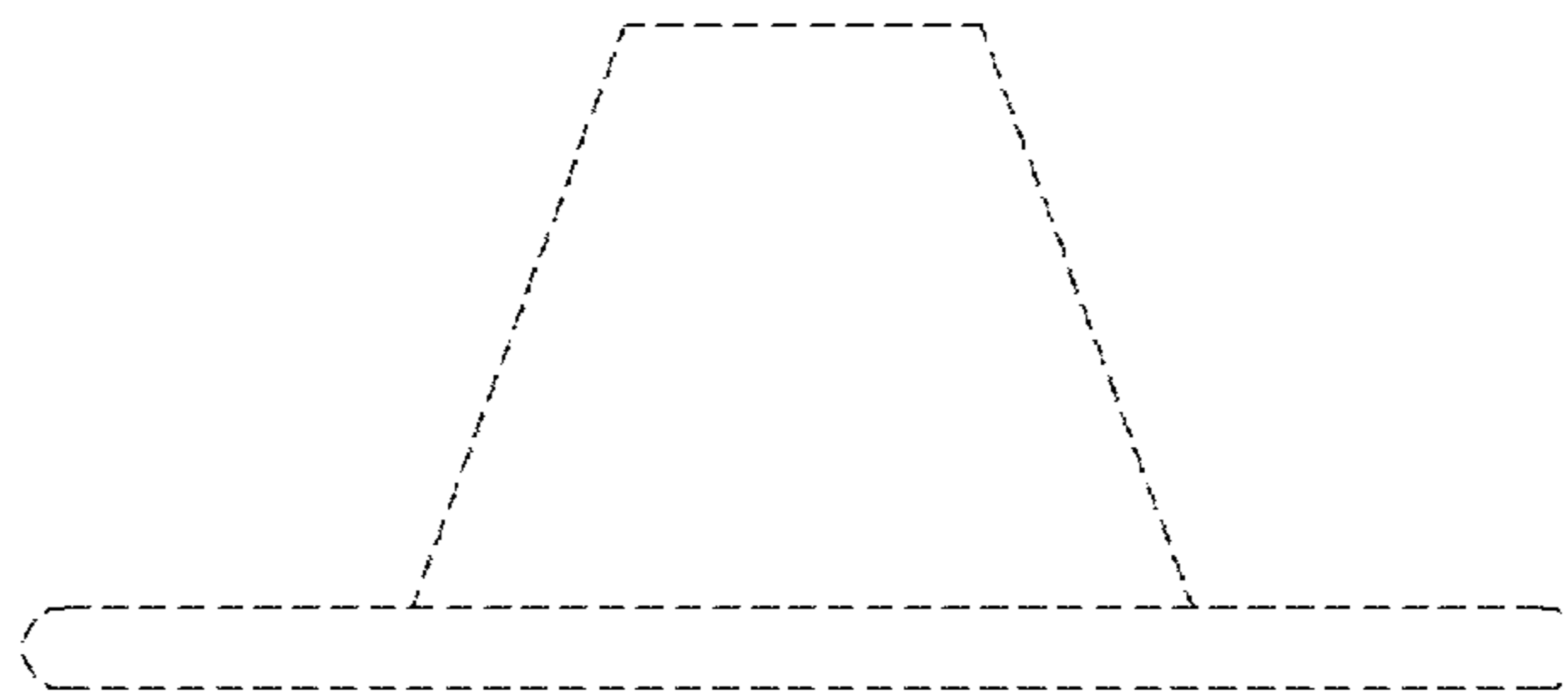


FIG. 7

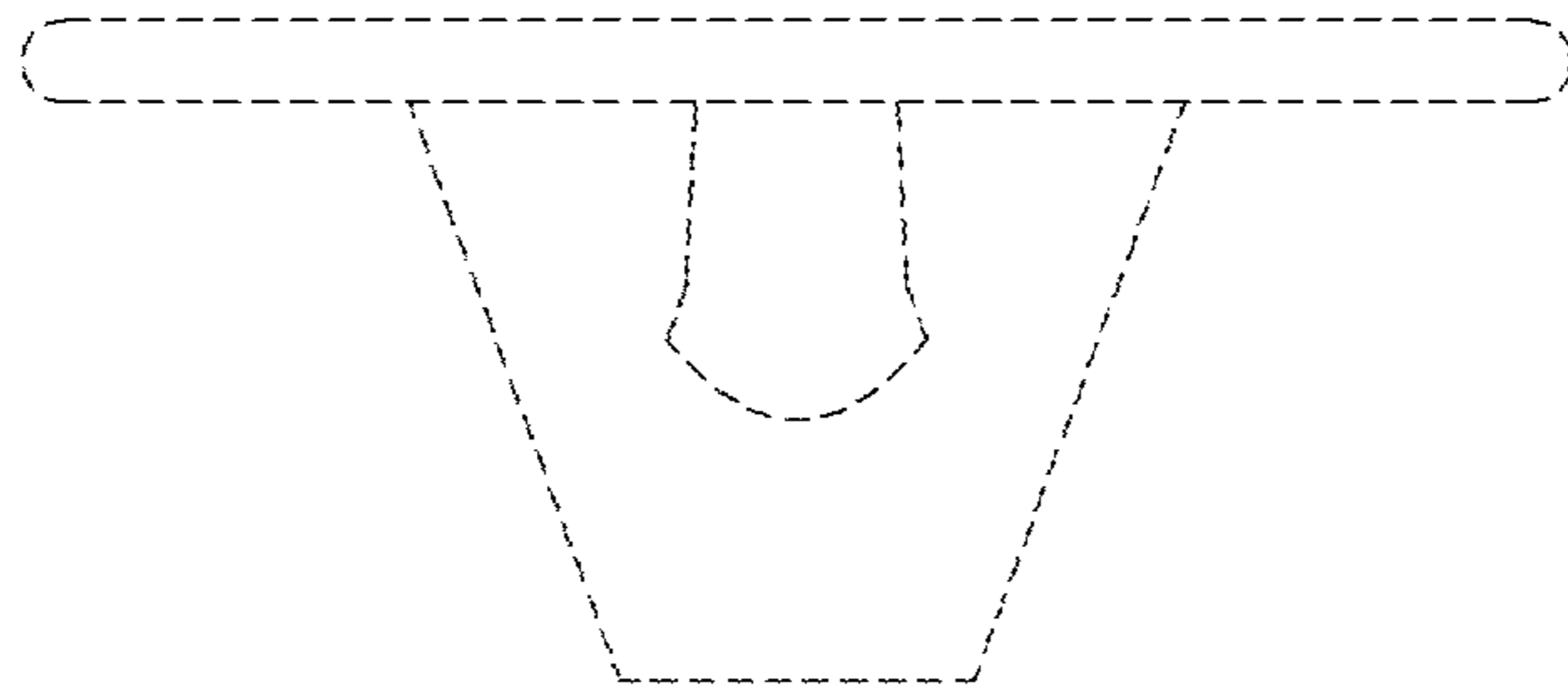


FIG. 8

