



US00D798201S

(12) **United States Design Patent** (10) **Patent No.:** **US D798,201 S**  
**Zavatski** (45) **Date of Patent:** **\*\* Sep. 26, 2017**

- (54) **VEHICLE LOWER BUMPER**
- (71) Applicant: **Irina Zavatski**, Rochester Hills, MI (US)
- (72) Inventor: **Irina Zavatski**, Rochester Hills, MI (US)
- (73) Assignee: **FCA US LLC**, Auburn Hills, MI (US)
- (\*\*) Term: **15 Years**
- (21) Appl. No.: **29/565,274**
- (22) Filed: **May 19, 2016**

**Related U.S. Application Data**

- (63) Continuation-in-part of application No. 29/549,069, filed on Dec. 18, 2015.
- (51) **LOC (10) Cl.** ..... **12-16**
- (52) **U.S. Cl.**  
USPC ..... **D12/169**
- (58) **Field of Classification Search**  
USPC .... D12/169, 216, 90-92, 86, 171, 196, 163;  
293/102, 113, 115, 117, 120; 296/180.1,  
296/180.2  
CPC ..... B60R 19/02; B60R 19/04; B62D 25/08  
See application file for complete search history.

- (56) **References Cited**
- U.S. PATENT DOCUMENTS
- |              |         |                 |         |
|--------------|---------|-----------------|---------|
| D629,728 S * | 12/2010 | Akasawa .....   | D12/169 |
| D746,190 S * | 12/2015 | Wolff .....     | D12/169 |
| D746,738 S * | 1/2016  | Wolff .....     | D12/169 |
| D776,021 S * | 1/2017  | Kapitonov ..... | D12/169 |

\* cited by examiner

*Primary Examiner* — Melody N Brown  
(74) *Attorney, Agent, or Firm* — Ralph E. Smith

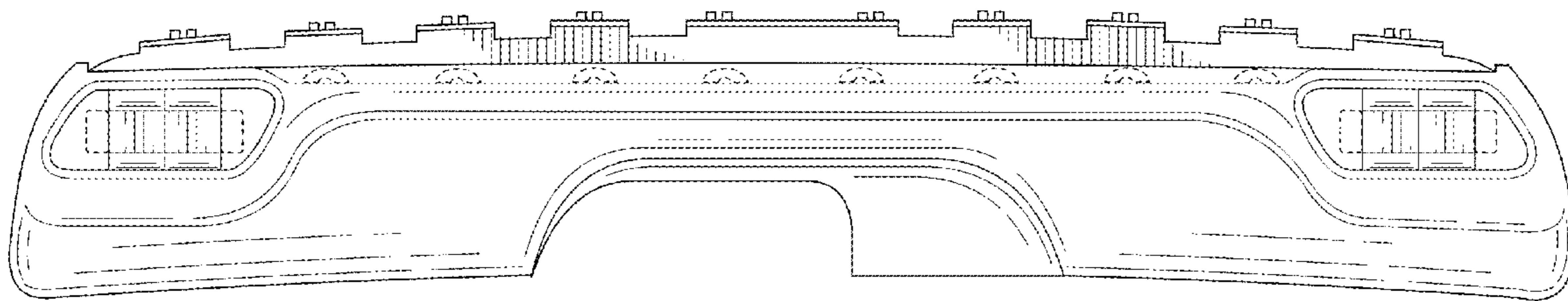
(57) **CLAIM**  
The ornamental design for a vehicle lower bumper, as shown and described.

**DESCRIPTION**

FIG. 1 is a perspective view of a vehicle lower bumper showing our new design;  
FIG. 2 is a front view thereof;  
FIG. 3 is a rear view thereof;  
FIG. 4 is a side view thereof;  
FIG. 5 is an opposite side view thereof;  
FIG. 6 is a top view; and,  
FIG. 7 is a bottom view.

It will be understood that the broken lines shown in the drawings illustrate portions of the vehicle lower bumper that form no part of claimed design.

**1 Claim, 7 Drawing Sheets**



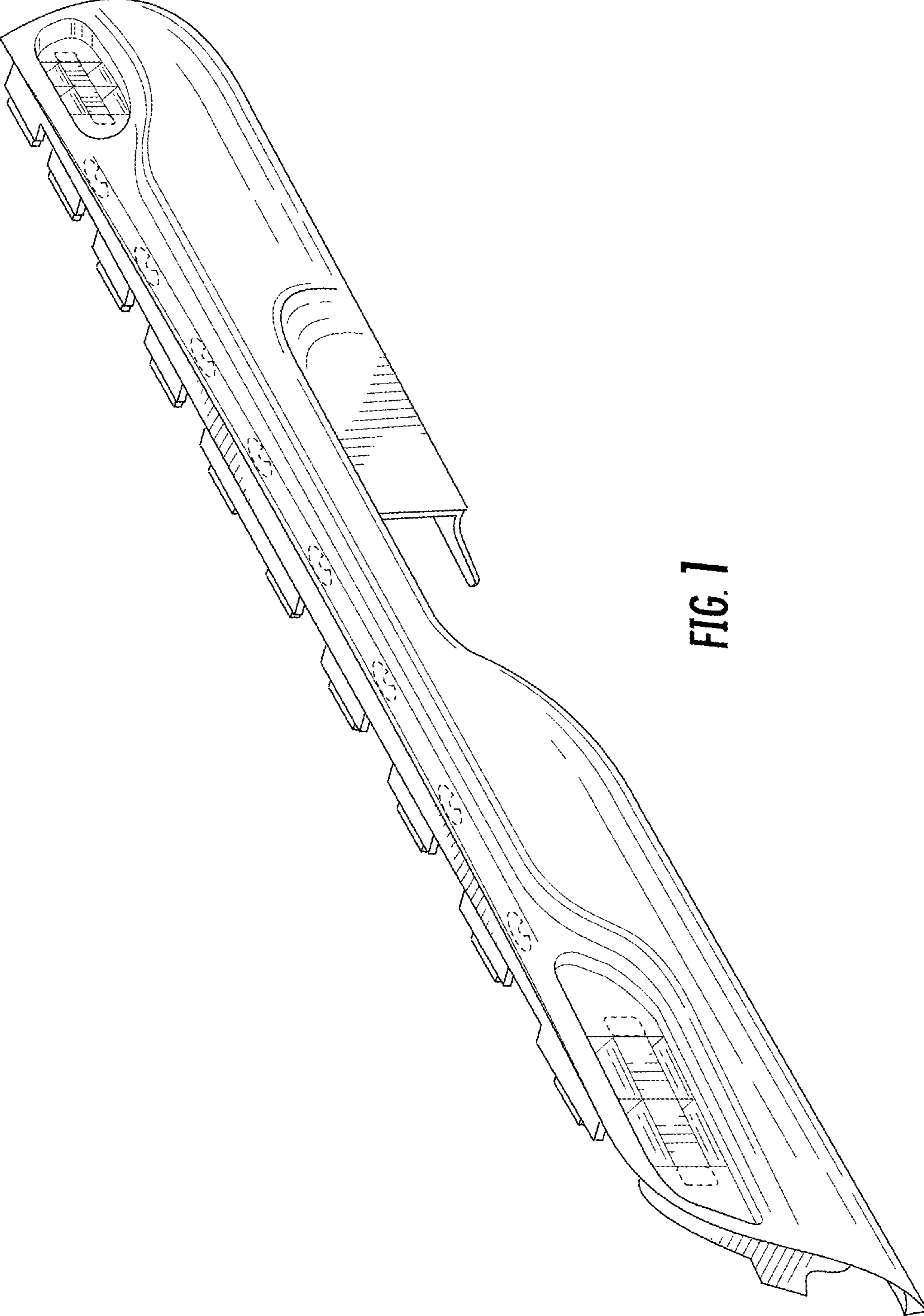


FIG. 1

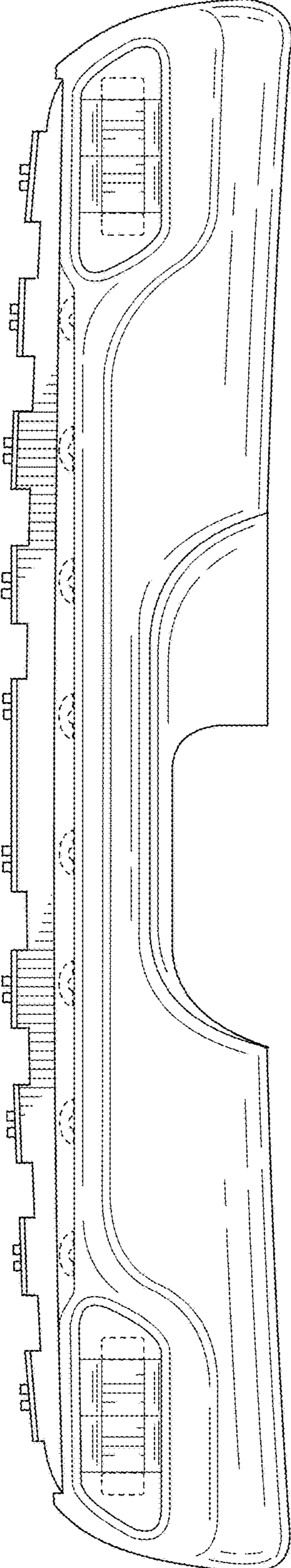


FIG. 2

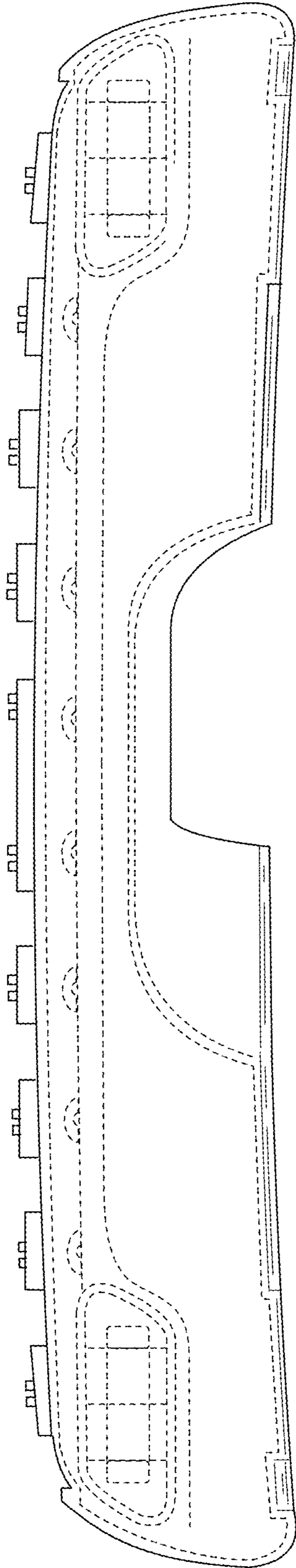
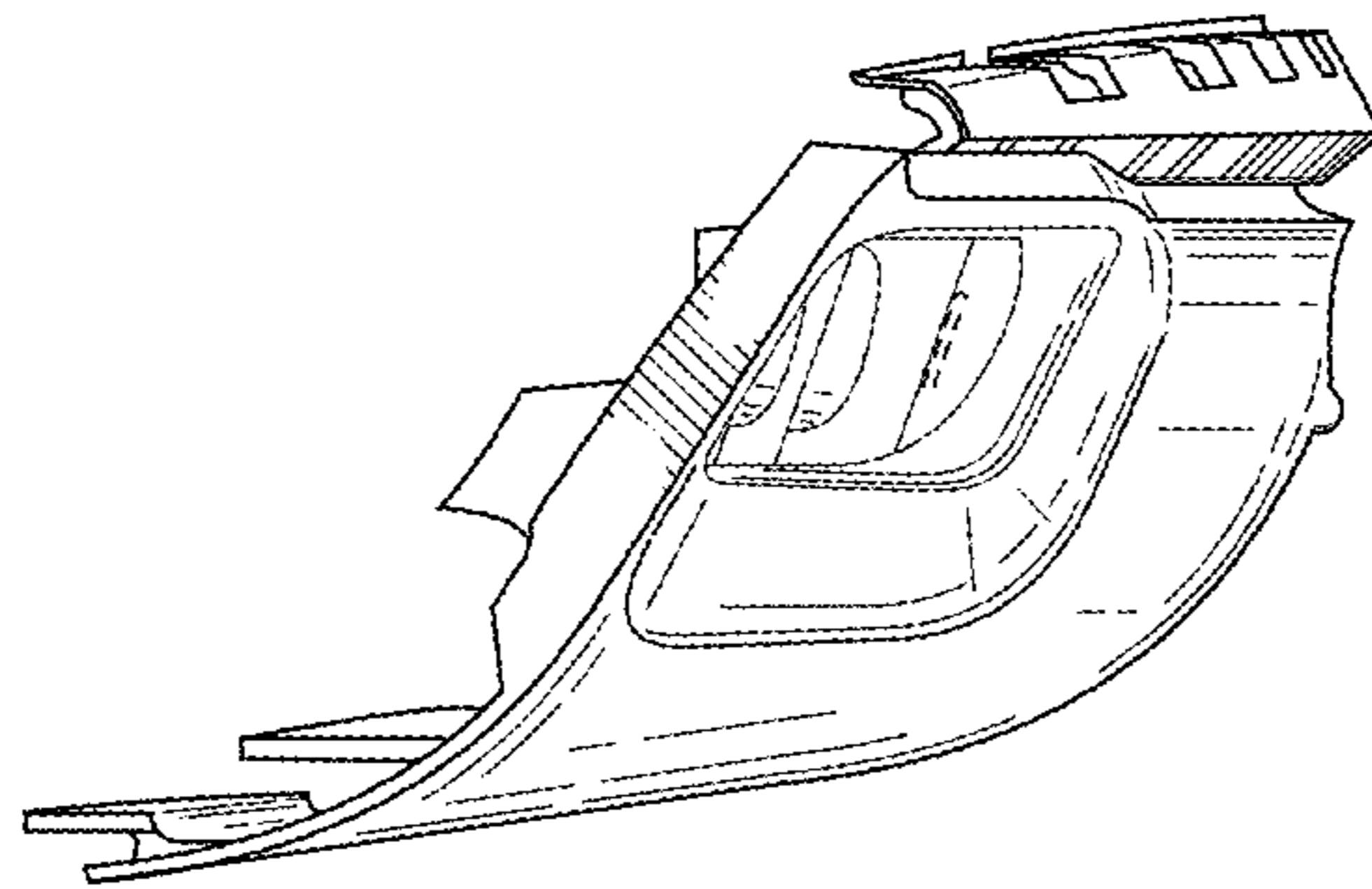
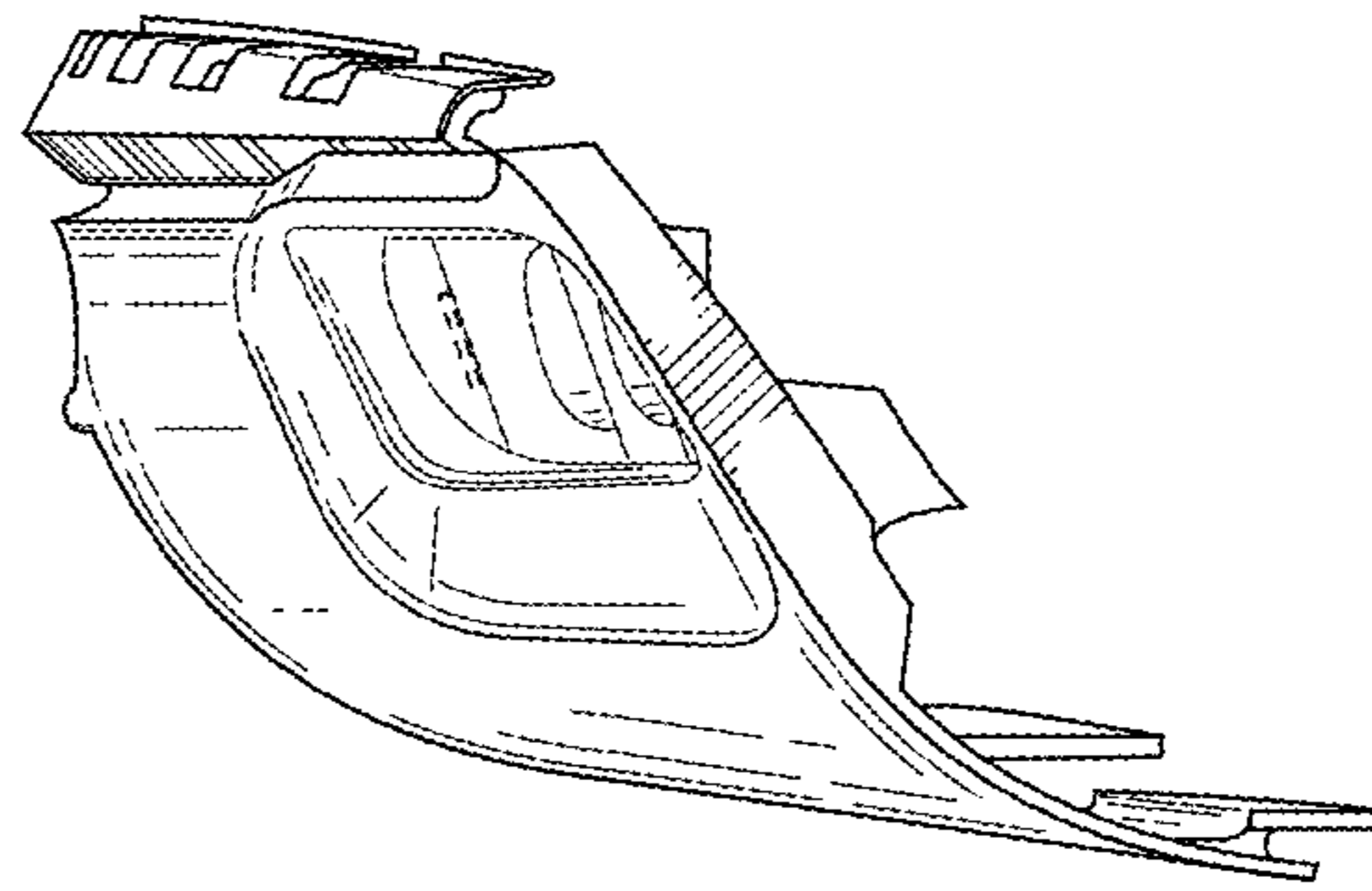


FIG. 3



**FIG. 4**



**FIG. 5**



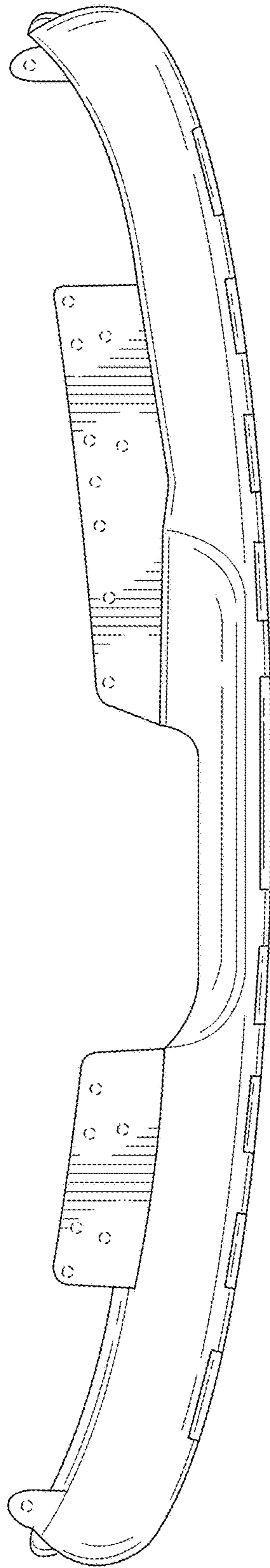


FIG. 6

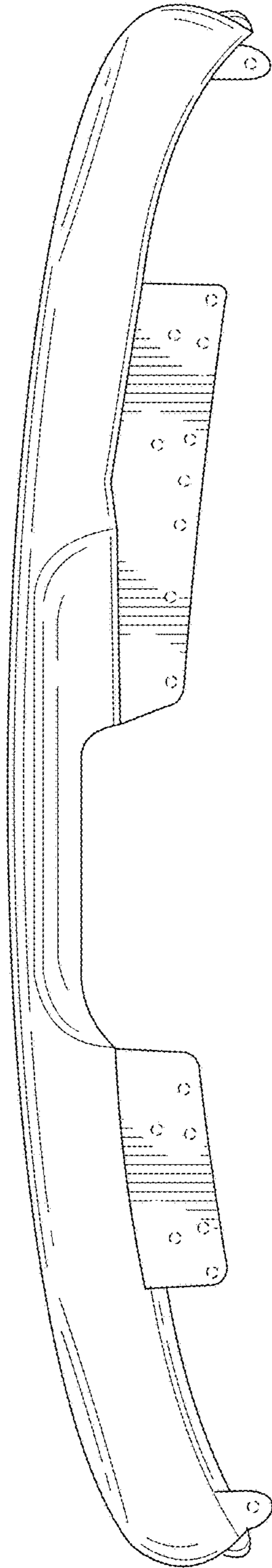


FIG. 7