



US00D798197S

(12) **United States Design Patent** (10) **Patent No.:** **US D798,197 S**
Moore et al. (45) **Date of Patent:** **** Sep. 26, 2017**

(54) **BICYCLE DERAILLEUR HANGER EXTENSION**

(71) Applicant: **Wolf Tooth Components, LLC**,
Savage, MN (US)

(72) Inventors: **Brendan J. Moore**, Prior Lake, MN
(US); **Marc L. Basiliere**, Albuquerque,
NM (US)

(73) Assignee: **Wolf Tooth Components, LLC**,
Savage, MN (US)

(**) Term: **15 Years**

(21) Appl. No.: **29/566,876**

(22) Filed: **Jun. 3, 2016**

(51) **LOC (10) Cl.** **12-11**

(52) **U.S. Cl.**
USPC **D12/124; D8/356**

(58) **Field of Classification Search**
USPC D12/111, 124; D8/349, 352, 354, 356,
D8/367, 372, 382

CPC B62M 9/1242; B62M 9/124; B62M 9/125;
A62B 1/14; A62B 35/04

See application file for complete search history.

(56) **References Cited**

U.S. PATENT DOCUMENTS

D307,735 S *	5/1990	Chappell	D12/124
D359,946 S *	7/1995	Biasotti	D13/133
D430,825 S *	9/2000	Nakamura	D12/114
D452,664 S *	1/2002	Terasawa	D12/124
D458,533 S *	6/2002	Sonju	A63B 29/02
			D8/356
D471,519 S *	3/2003	Liang	D13/120
D471,520 S *	3/2003	Liang	D13/120
6,959,783 B2 *	11/2005	Kwak	A62B 1/14
			182/193

D533,482 S *	12/2006	Hanamura	D12/124
D535,183 S *	1/2007	Diaz	D8/401
D535,919 S *	1/2007	Hanamura	D12/124
D555,547 S *	11/2007	Tokumoto	D12/124
D582,322 S *	12/2008	Nguan	D12/124
D588,443 S *	3/2009	Kelleghan	D8/356
D592,939 S *	5/2009	Kelleghan	D8/356
8,322,297 B2 *	12/2012	Petrenko	G09F 17/00
			116/173
D675,963 S *	2/2013	Noborio	D12/124
D684,845 S *	6/2013	Wood	A62B 1/14
			D8/356
D687,277 S *	8/2013	Ruiz	D8/28
2016/0107724 A1 *	4/2016	Bao	B62M 9/1242
			474/82

(Continued)

Primary Examiner — Darlington Ly

(74) *Attorney, Agent, or Firm* — Dicke, Billig & Czaja,
PLLC

(57) **CLAIM**

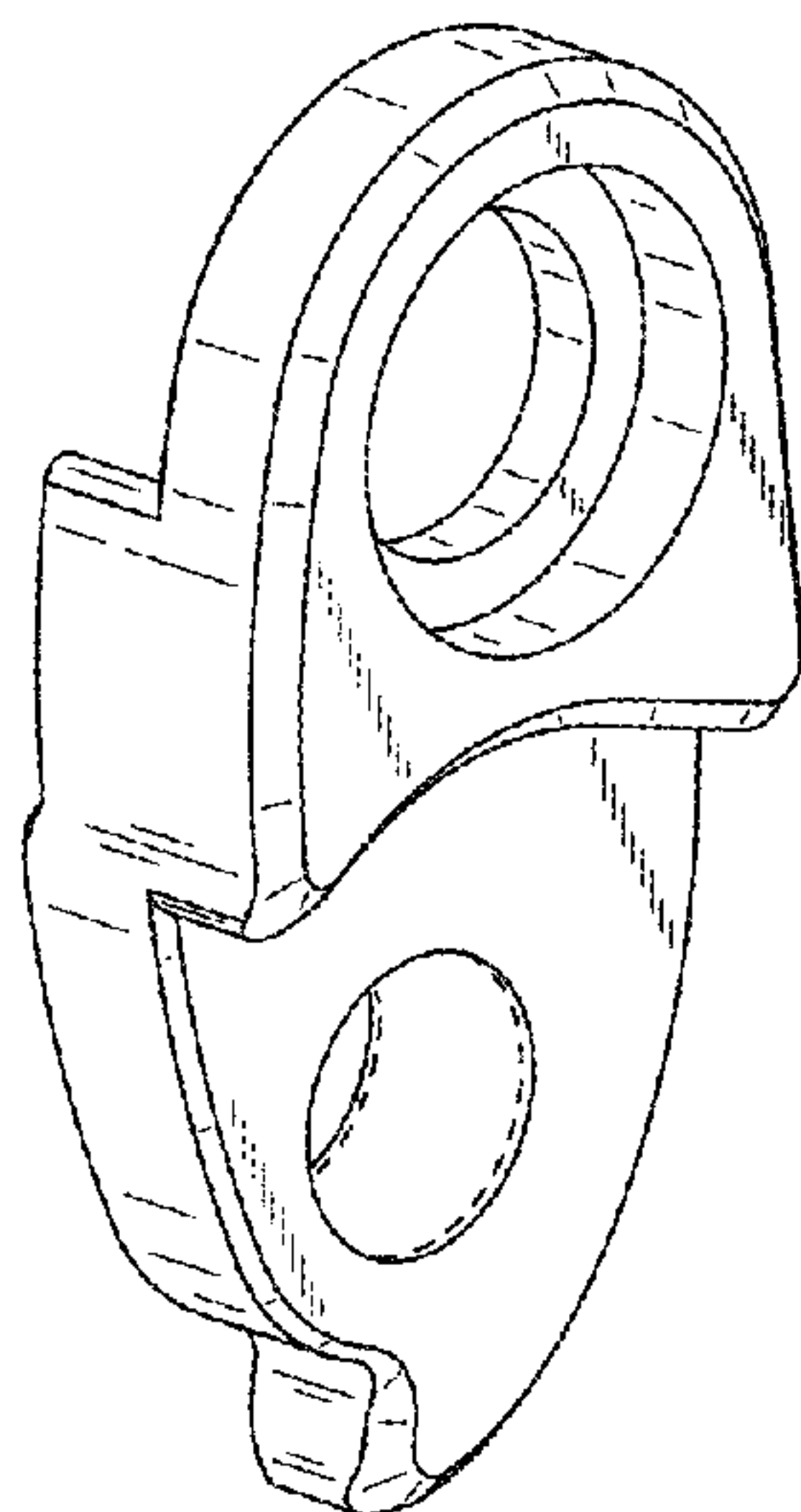
The ornamental design for a bicycle derailleur hanger extension, substantially as shown and described.

DESCRIPTION

FIG. 1 is a rear and right-side perspective view of the bicycle derailleur hanger extension showing our new design; FIG. 2 is a front and right-side perspective view thereof; FIG. 3 is a rear and left-side perspective view thereof; FIG. 4 is a front and left-side perspective view thereof; FIG. 5 is a right-side elevation view thereof; FIG. 6 is a left-side elevation view thereof; FIG. 7 is a front elevation view thereof; FIG. 8 is a rear elevation view thereof; FIG. 9 is a top plan view thereof; and, FIG. 10 is a bottom plan view thereof.

The broken lines in the drawings illustrate portions of the bicycle derailleur hanger extension that form no part of the claimed design.

1 Claim, 5 Drawing Sheets



(56)

References Cited

U.S. PATENT DOCUMENTS

2016/0167739 A1* 6/2016 Watarai B62M 9/127
474/80
2016/0375959 A1* 12/2016 Calendrille, Jr. B62M 9/1242
474/122
2017/0001685 A1* 1/2017 Kuwayama B62M 9/1342

* cited by examiner

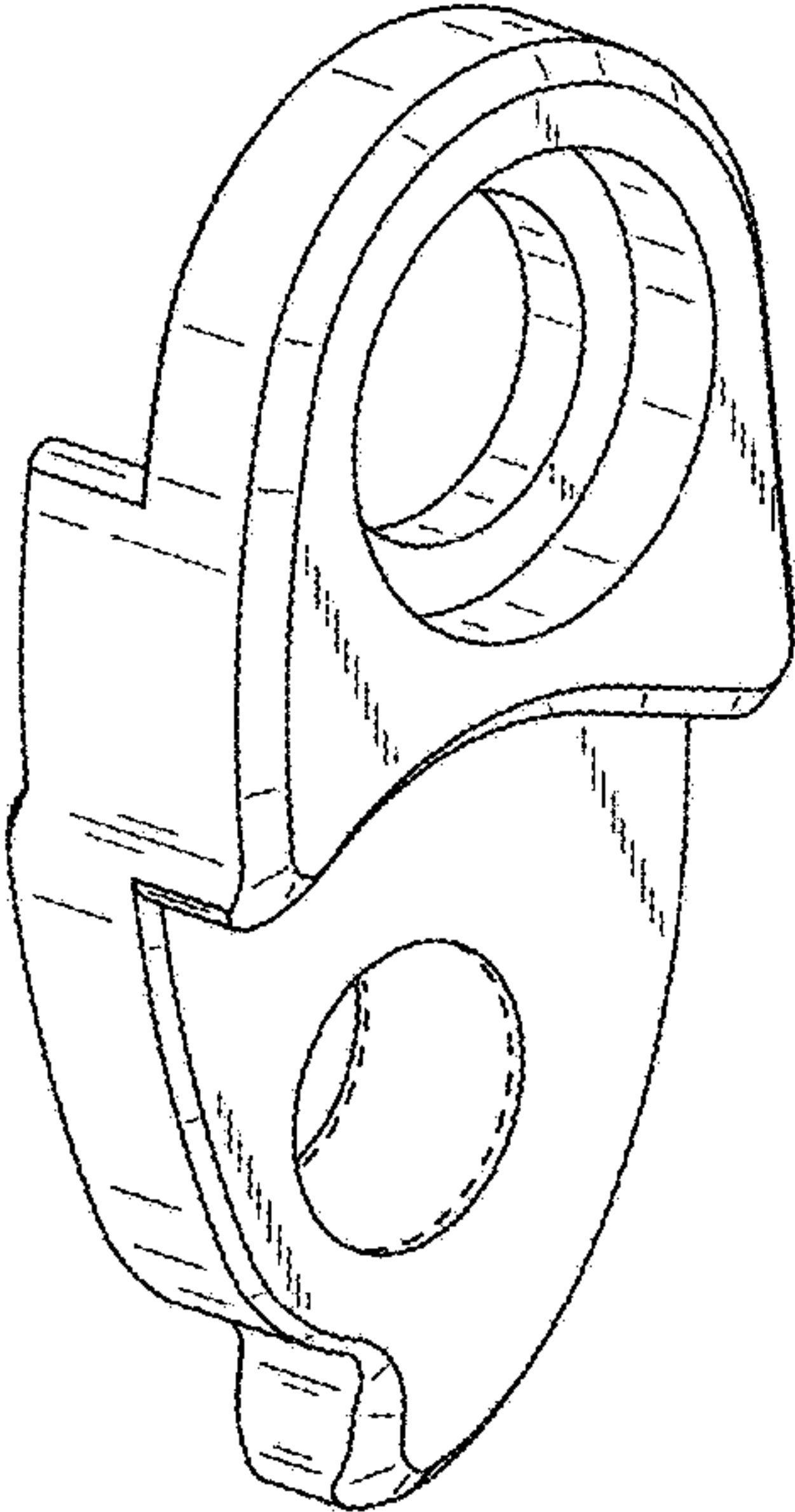


FIG. 1

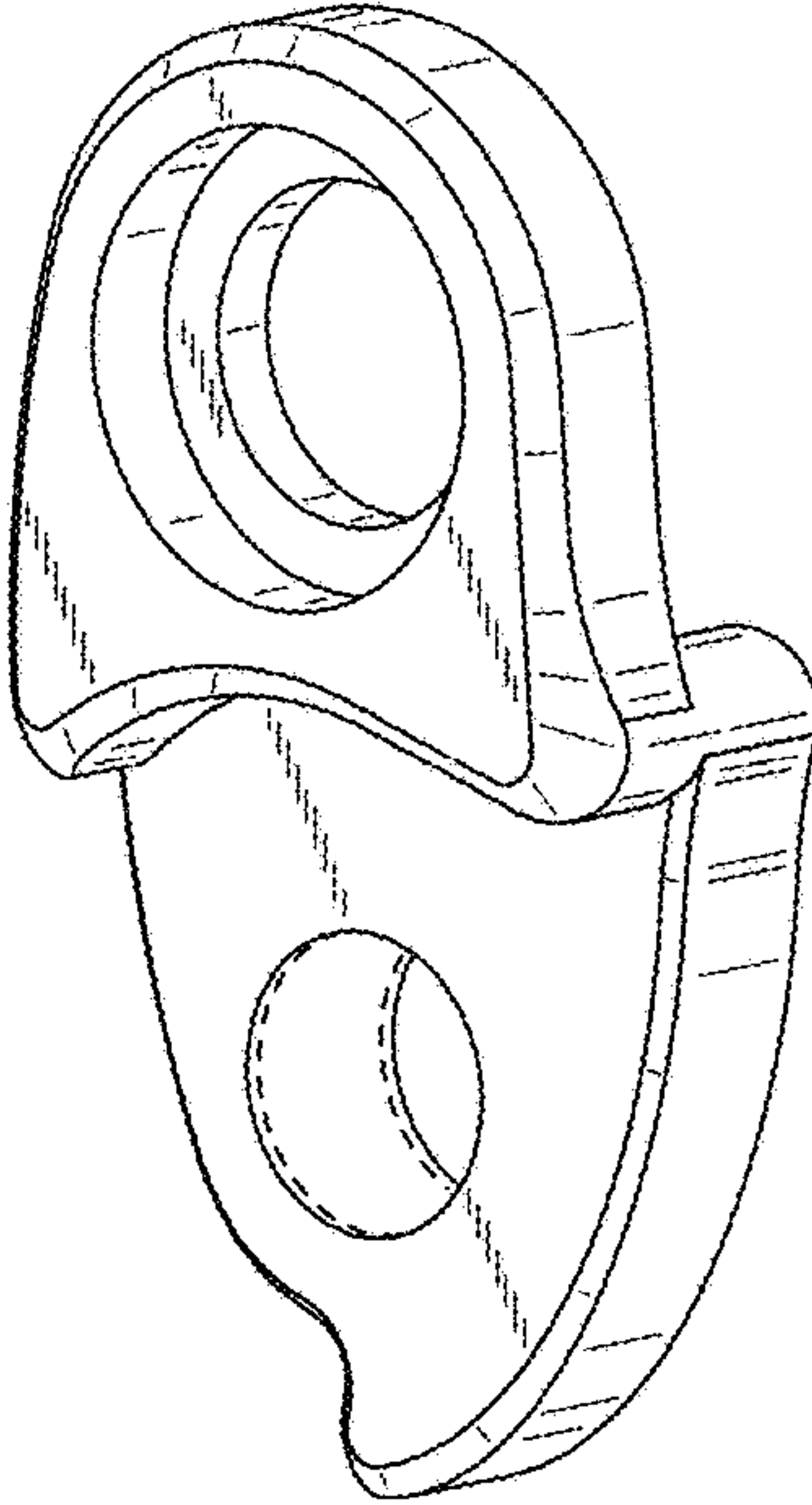


FIG. 2

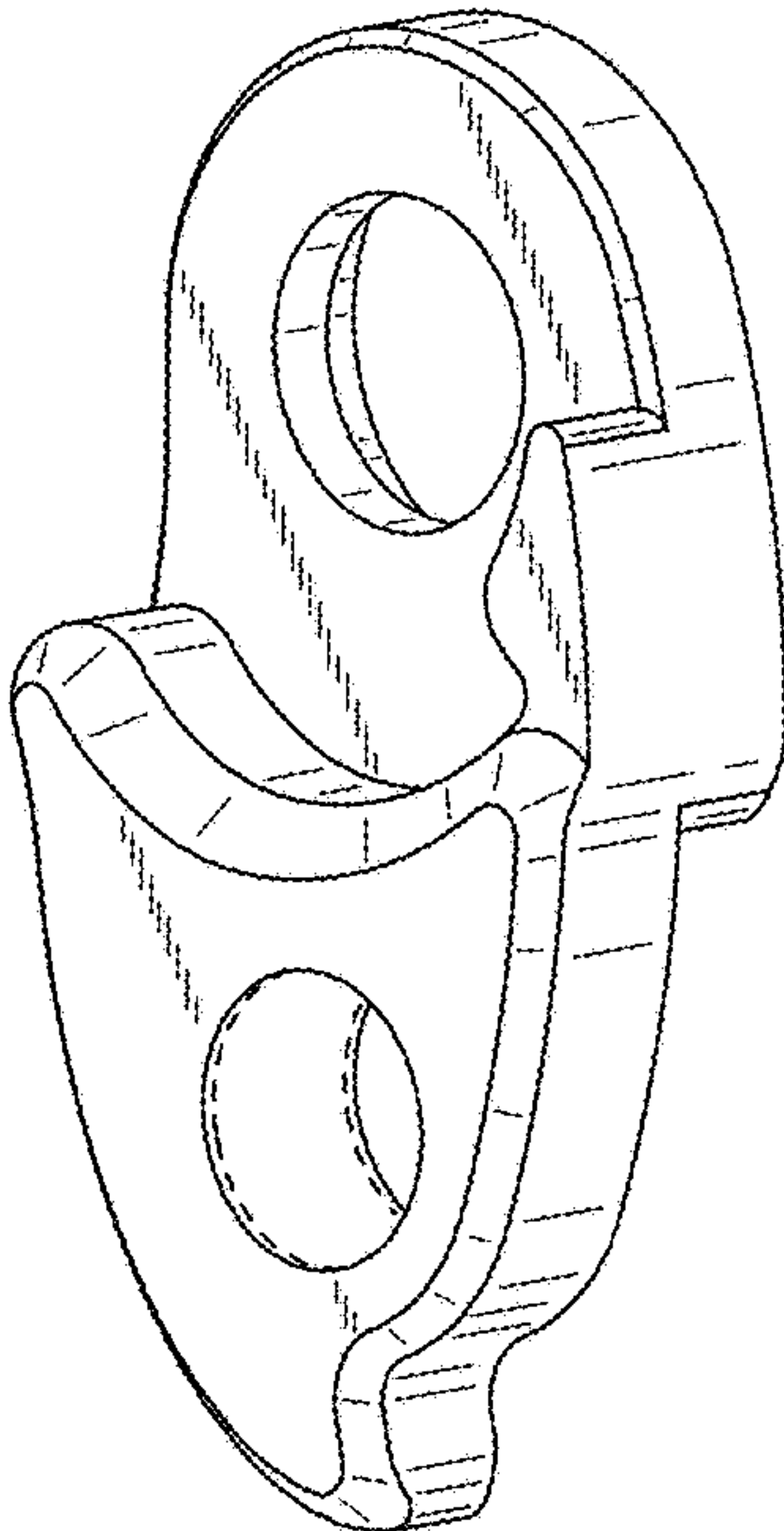


FIG. 3

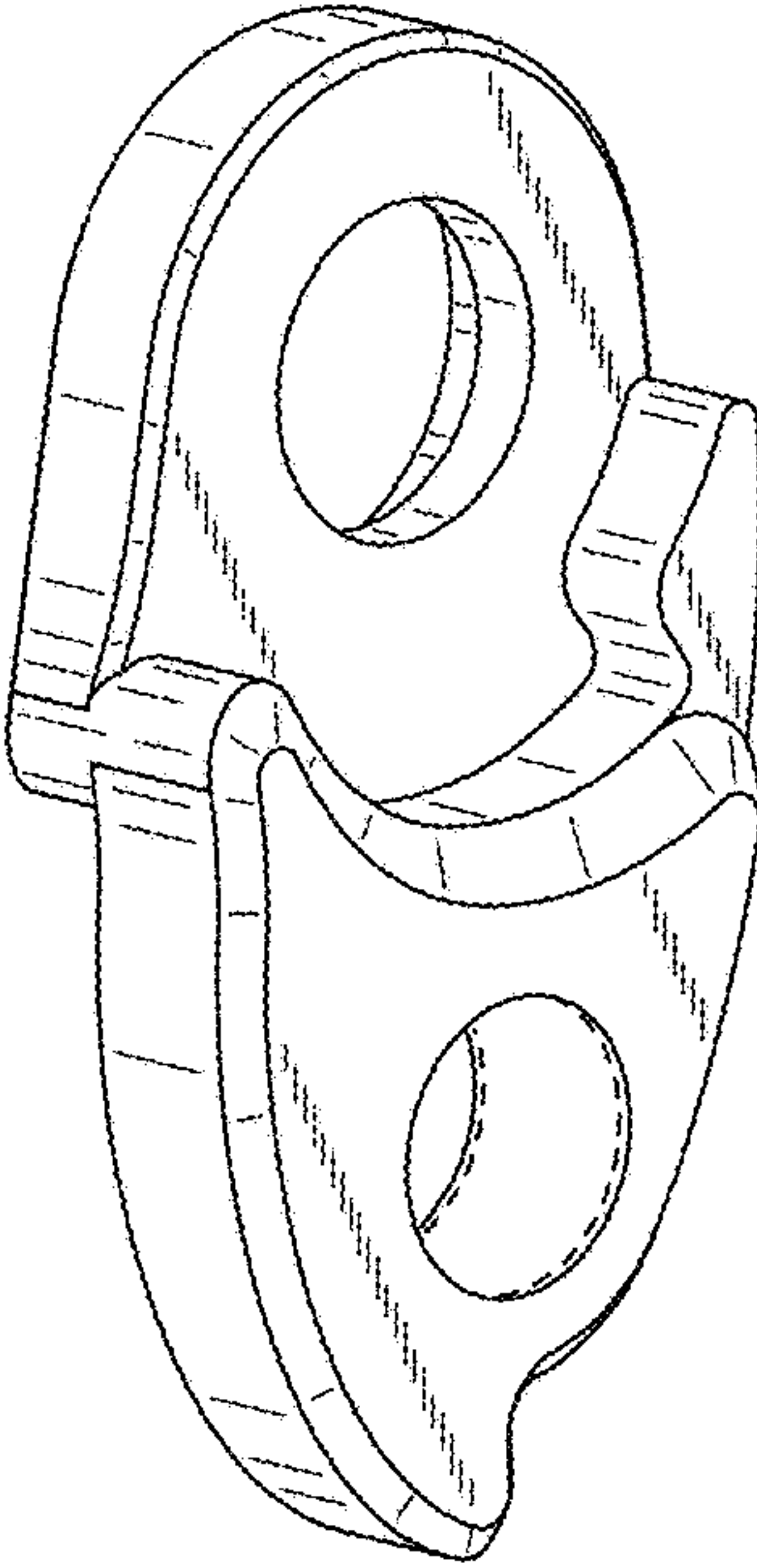


FIG. 4

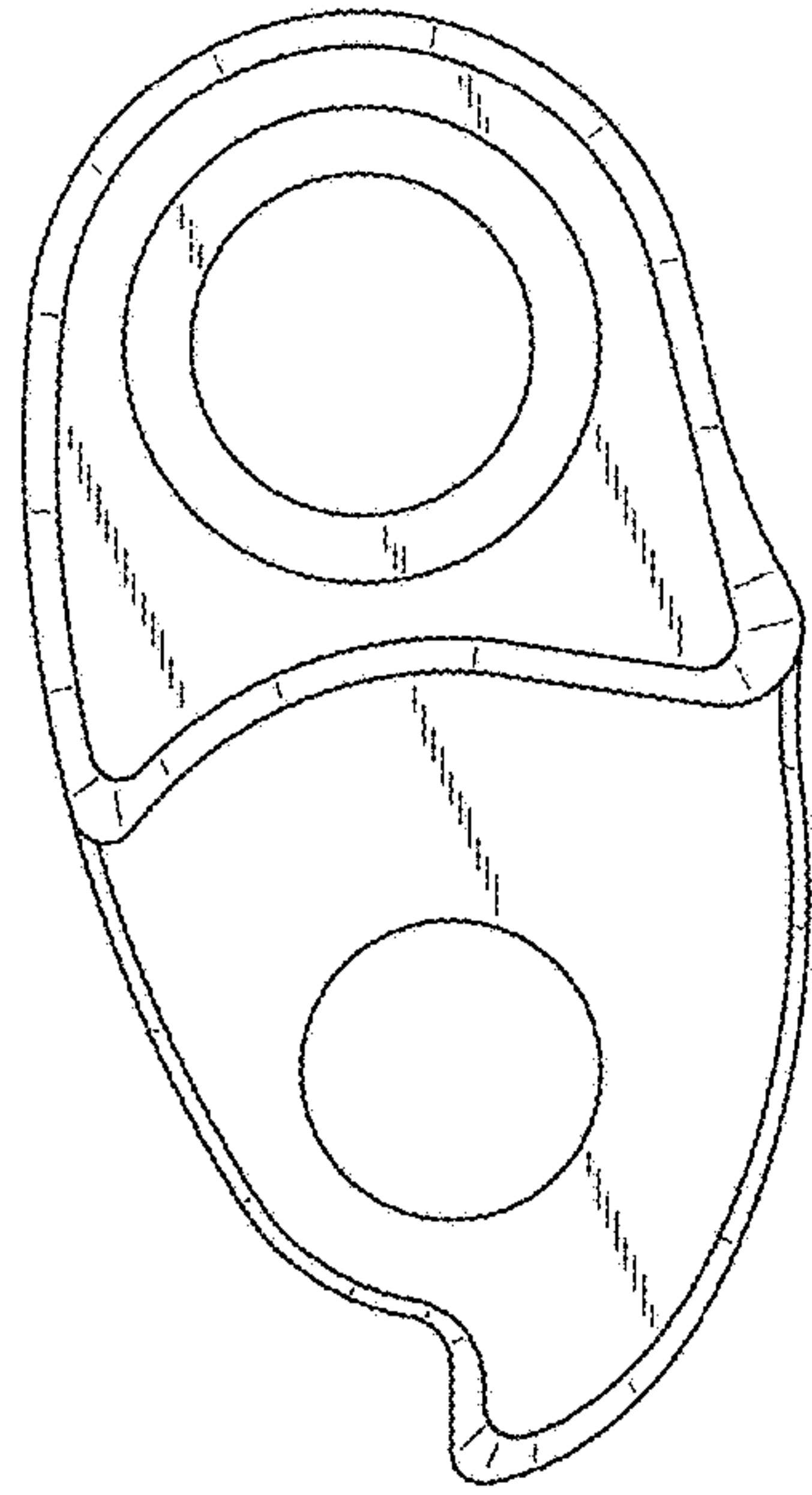


FIG. 5

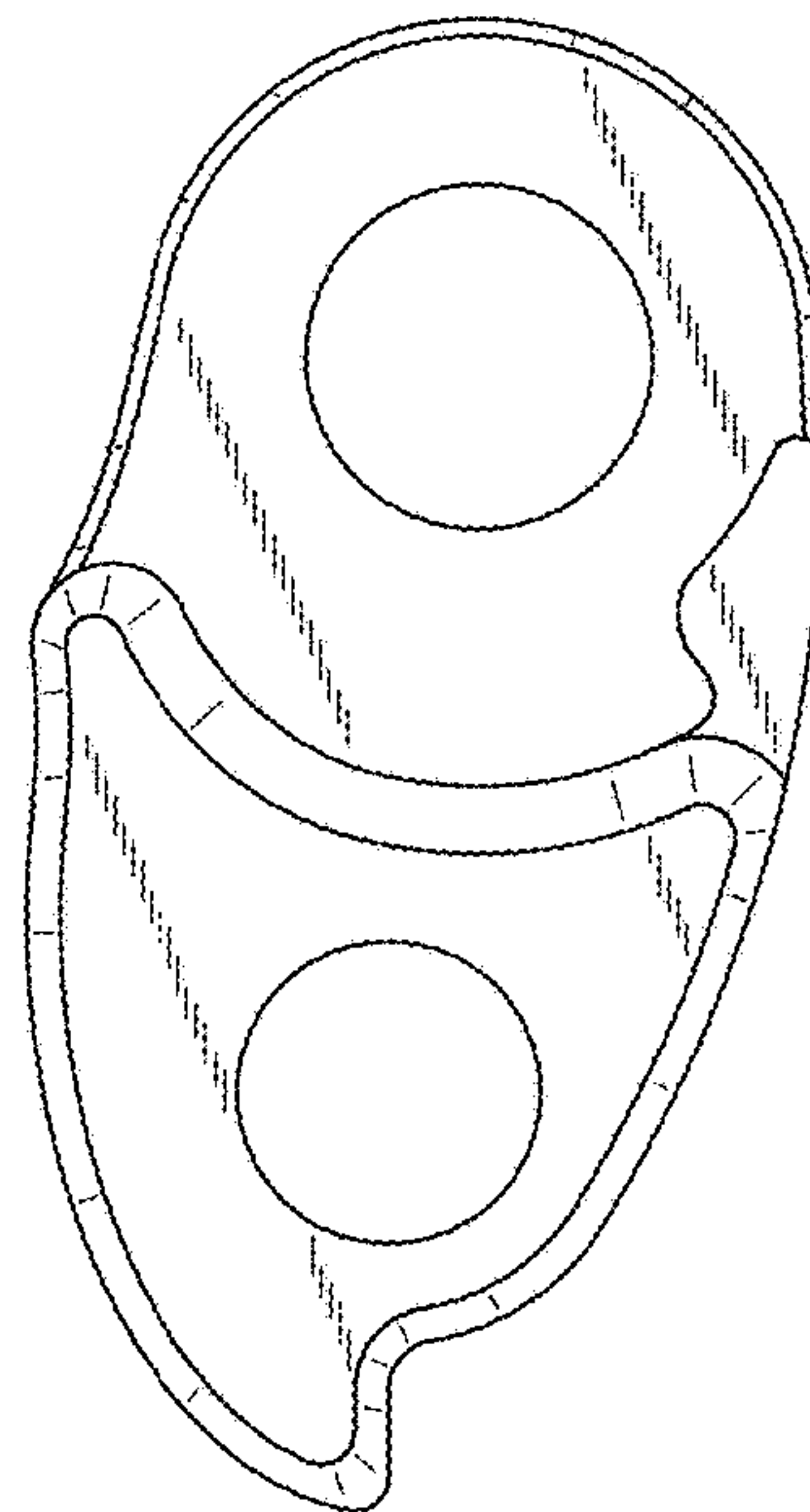


FIG. 6

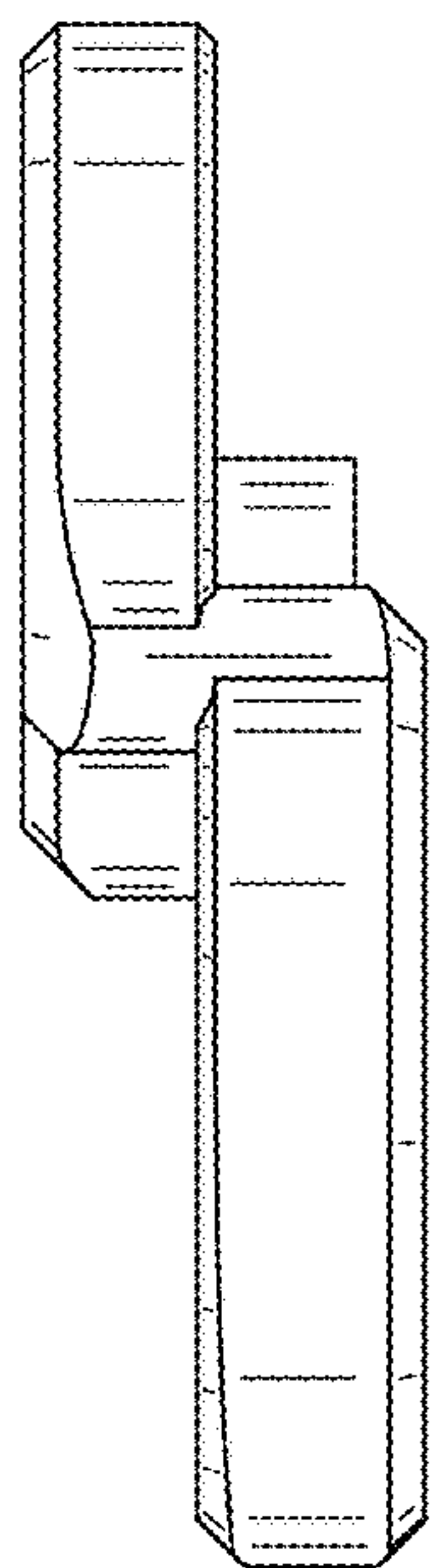


FIG. 7

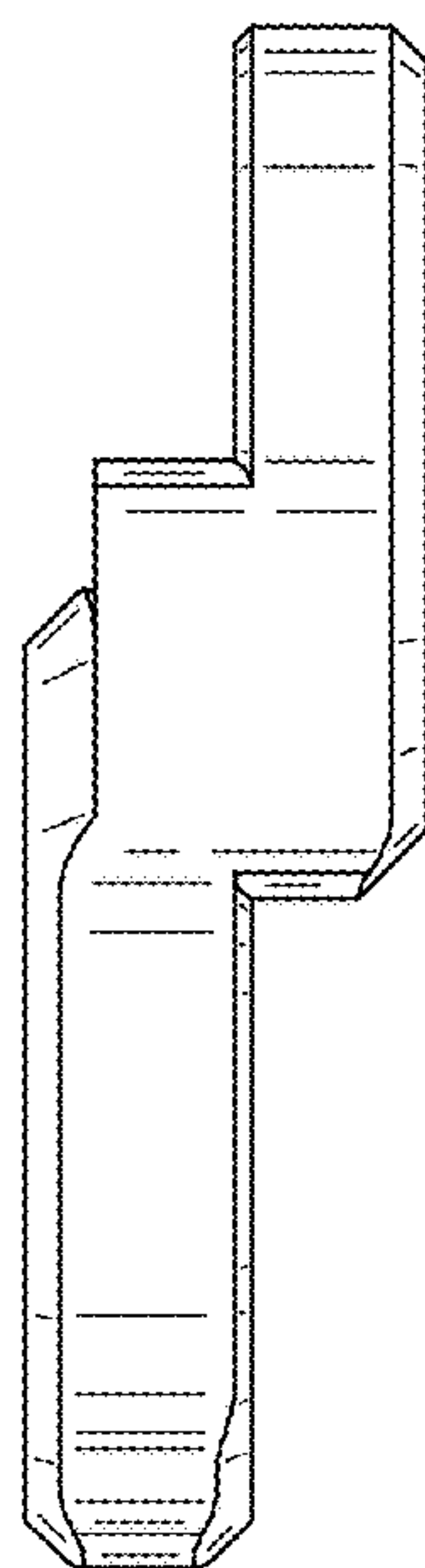


FIG. 8

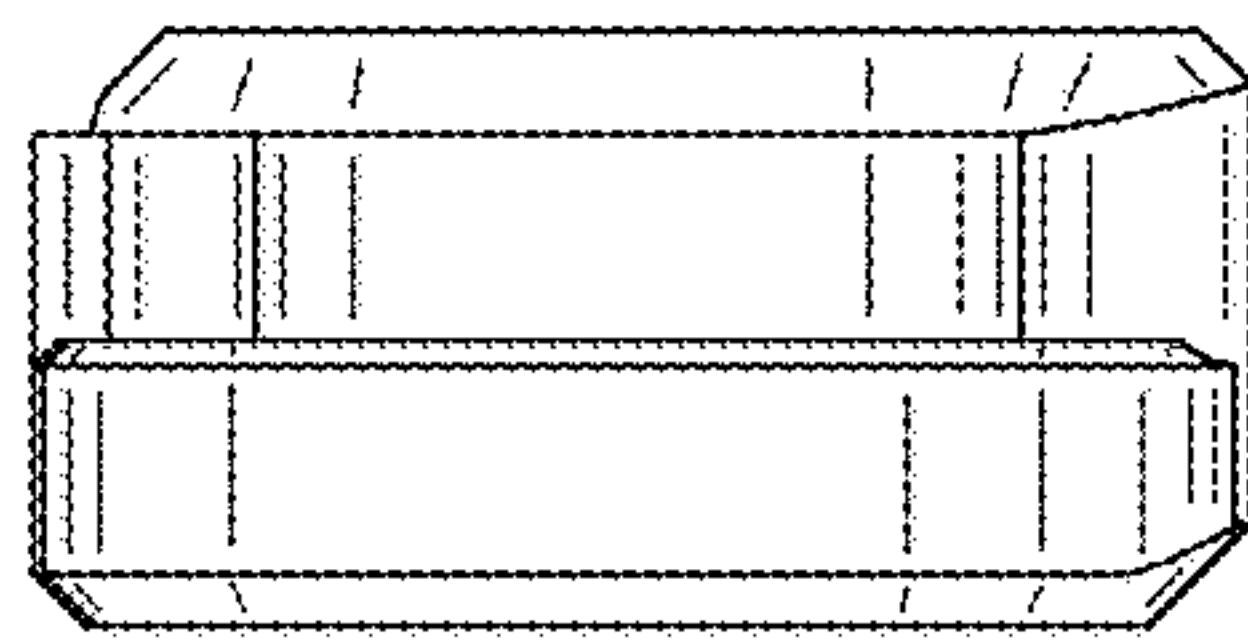


FIG. 9

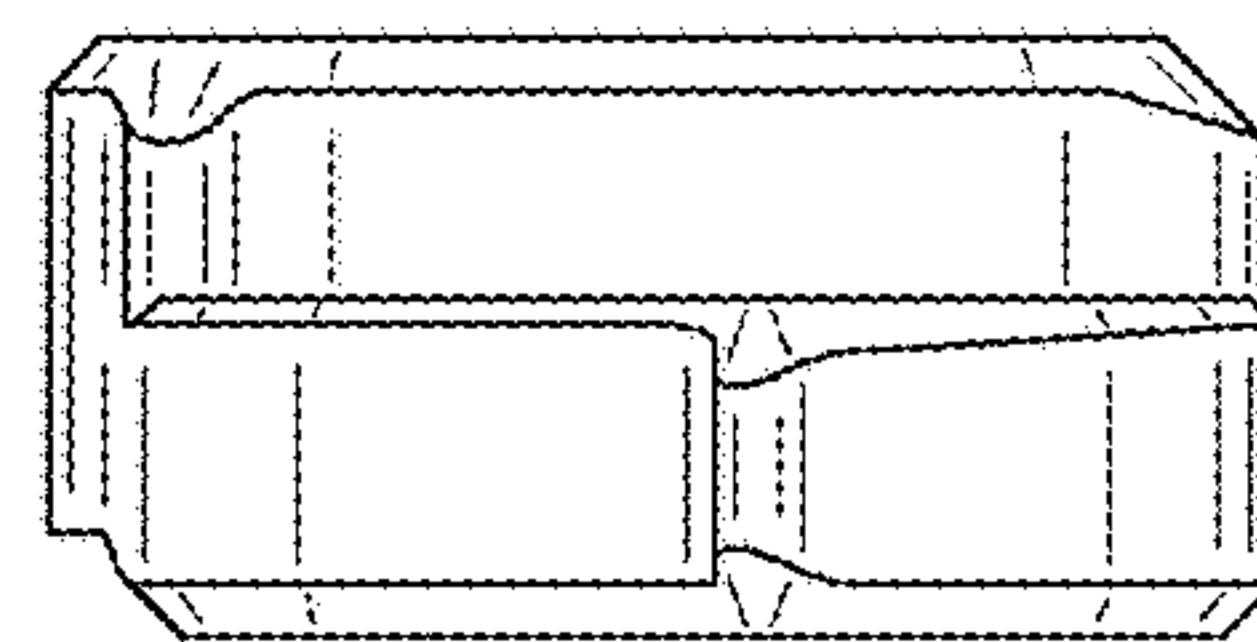


FIG. 10