



US00D798195S

(12) **United States Design Patent**
Yu et al.

(10) **Patent No.:** **US D798,195 S**
(45) **Date of Patent:** **** Sep. 26, 2017**

- (54) **ELECTRIC DIRT BIKE**
- (71) Applicant: **Zhejiang Easy Vehicle Co., Ltd,**
Yongkang (CN)
- (72) Inventors: **Longhua Yu,** Yongkang (CN); **Yong Zhang,** Yongkang (CN); **Yusheng Guo,** Yongkang (CN); **Yong Wen,** Yongkang (CN); **Ping Kang,** Yongkang (CN); **Xiunan Hou,** Yongkang (CN); **Yanhui Tang,** Yongkang (CN)
- (73) Assignee: **Zhejiang Easy Vehicle Co., Ltd (CN)**
- (**) Term: **15 Years**
- (21) Appl. No.: **29/561,411**
- (22) Filed: **Apr. 15, 2016**

- D385,226 S * 10/1997 Mogi D12/110
- D387,017 S * 12/1997 Wakita D12/110
- D430,822 S * 9/2000 Sakaguchi D12/110
- D431,501 S * 10/2000 Yamamoto D12/110
- D456,315 S * 4/2002 Sawabe D12/110
- D482,639 S * 11/2003 Yamamoto D12/110
- D497,329 S * 10/2004 Yamamoto D12/110
- D497,330 S * 10/2004 Fukuyama D12/110
- D513,481 S * 1/2006 Lin D12/110
- D517,956 S * 3/2006 Kishi D12/110
- D523,783 S * 6/2006 Sugimoto D12/110
- D524,191 S * 7/2006 Sugimoto D12/110
- D526,249 S * 8/2006 Tanaka D12/110
- D526,936 S * 8/2006 Maruyama D12/110
- D549,136 S * 8/2007 Yu D12/110
- D559,155 S * 1/2008 Sakata D12/110
- D566,626 S * 4/2008 Sakata D12/110
- D581,840 S * 12/2008 Ichihara D12/110
- D590,302 S * 4/2009 Tanaka D12/110
- D594,784 S * 6/2009 Ichihara D12/110

(Continued)

Primary Examiner — Darlington Ly

(74) *Attorney, Agent, or Firm* — Brinks Gilson & Lione;
Ryan L. Marshall

(30) **Foreign Application Priority Data**

Oct. 26, 2015 (CN) 2015 3 0416191

(51) **LOC (10) Cl.** **12-11**

(52) **U.S. Cl.**
USPC **D12/110**

(58) **Field of Classification Search**
USPC D12/109, 110, 111, 114, 117, 126, 184,
D12/186; D21/432, 458, 538
CPC B62D 37/00; B62D 57/00; B62K 9/00;
B62K 11/04; B62K 17/00; B62K 19/48;
B62M 7/12; F02B 61/02; A63H 17/21;
B62J 17/00; B62J 17/04; B62J 29/00
See application file for complete search history.

(56) **References Cited**

U.S. PATENT DOCUMENTS

- D311,507 S * 10/1990 Sasaki D12/110
- D368,242 S * 3/1996 Camfield D12/111
- D384,600 S * 10/1997 Miwa D12/110

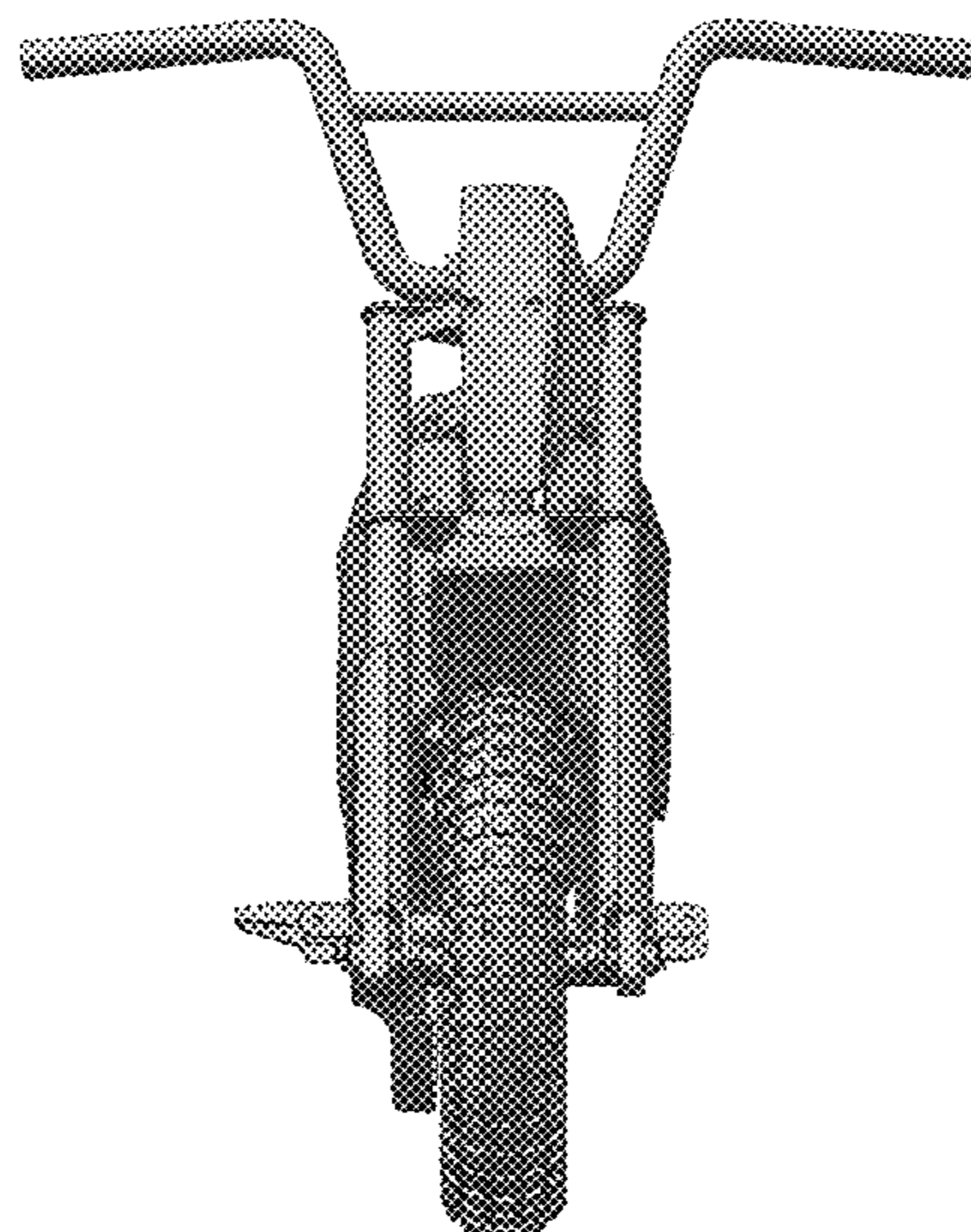
(57) **CLAIM**

The ornamental design for an electric dirt bike, as shown and described.

DESCRIPTION

FIG. 1 is a front elevation view of an electric dirt bike showing my our design;
 FIG. 2 is a rear elevation view thereof;
 FIG. 3 is a left side elevation view thereof;
 FIG. 4 is a right side elevation view thereof;
 FIG. 5 is a top plan view thereof;
 FIG. 6 is a bottom plan view thereof;
 FIG. 7 is a top, front, and right side perspective view thereof;
 and,
 FIG. 8 is a top, rear, and left side perspective view thereof.

1 Claim, 8 Drawing Sheets



(56)

References Cited

U.S. PATENT DOCUMENTS

D598,330	S	*	8/2009	Miyanishi	D12/110
D603,300	S	*	11/2009	Fukuyama	D12/110
D609,609	S	*	2/2010	Hayashi	D12/110
D609,610	S	*	2/2010	Inose	D12/110
D621,301	S	*	8/2010	Hayashi	D12/110
D632,226	S	*	2/2011	Miyata	D12/110
D640,173	S	*	6/2011	Oyanagi	D12/110
D662,857	S	*	7/2012	Petersson	D12/110
D662,858	S	*	7/2012	Yamazaki	D12/110
D662,859	S	*	7/2012	Matsuoka	D12/110
D665,706	S	*	8/2012	Oyanagi	D12/110
D685,682	S	*	7/2013	Matsumura	D12/110
D698,702	S	*	2/2014	Kubanek	D12/110
D724,496	S	*	3/2015	Takeda	D12/110
D734,215	S	*	7/2015	Forrellad	D12/110
D735,086	S	*	7/2015	Talios	D12/110
D735,087	S	*	7/2015	Iimura	D12/110
D738,260	S	*	9/2015	Akita	D12/110
D738,789	S	*	9/2015	Inose	D12/110
D754,567	S	*	4/2016	Iimura	D12/110
2005/0029773	A1	*	2/2005	Day	B62K 25/283 280/284

* cited by examiner

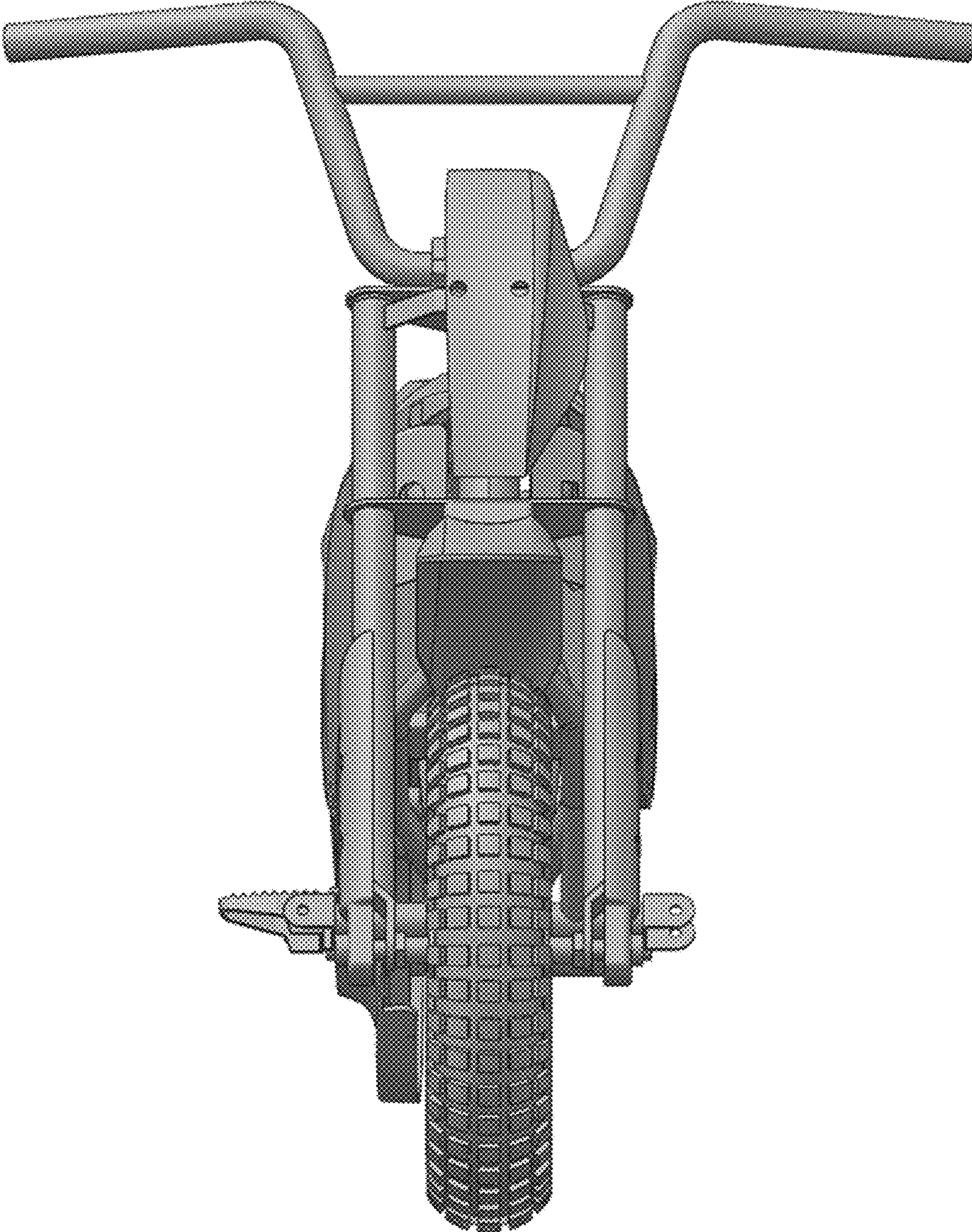


FIG. 1

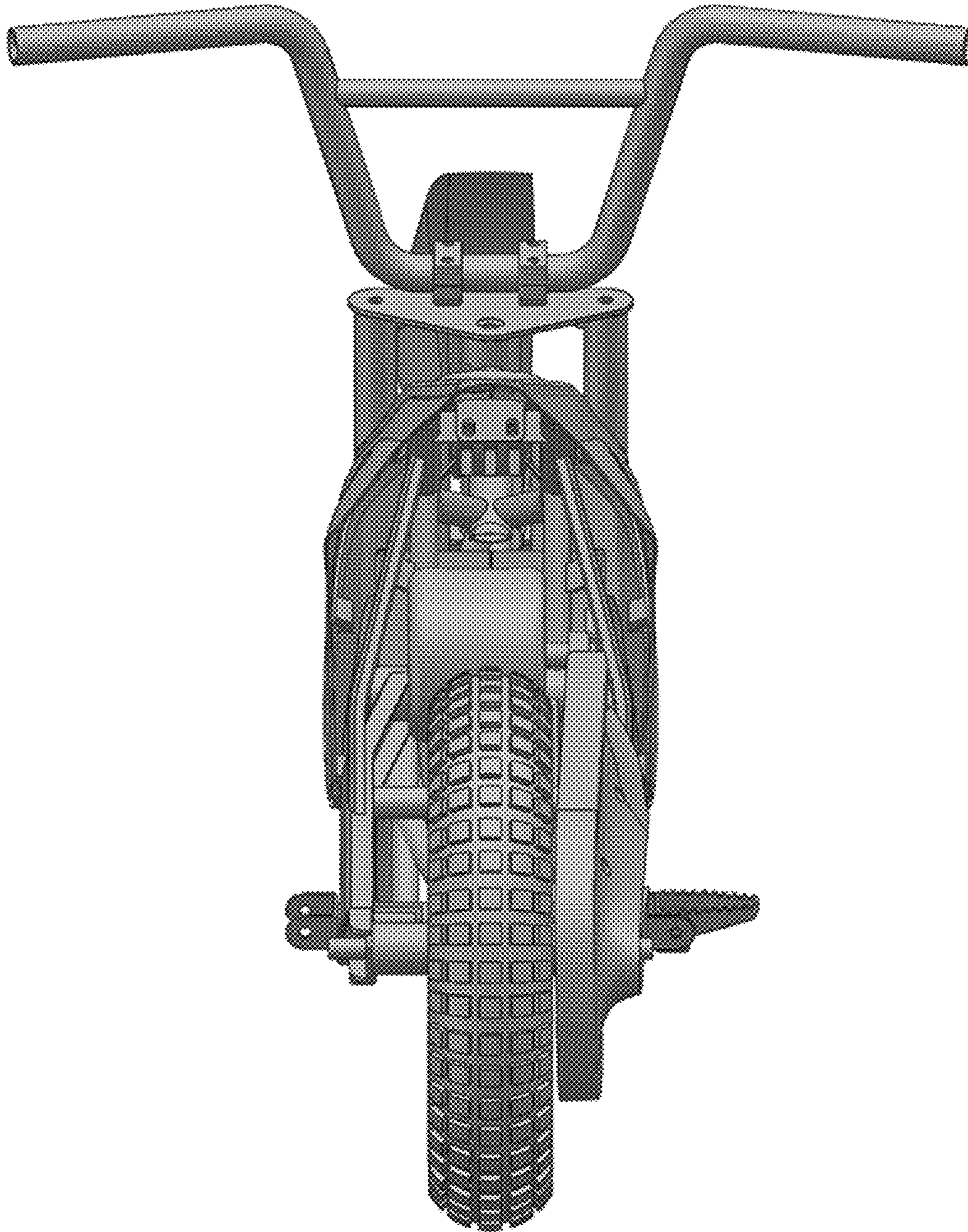


FIG. 2

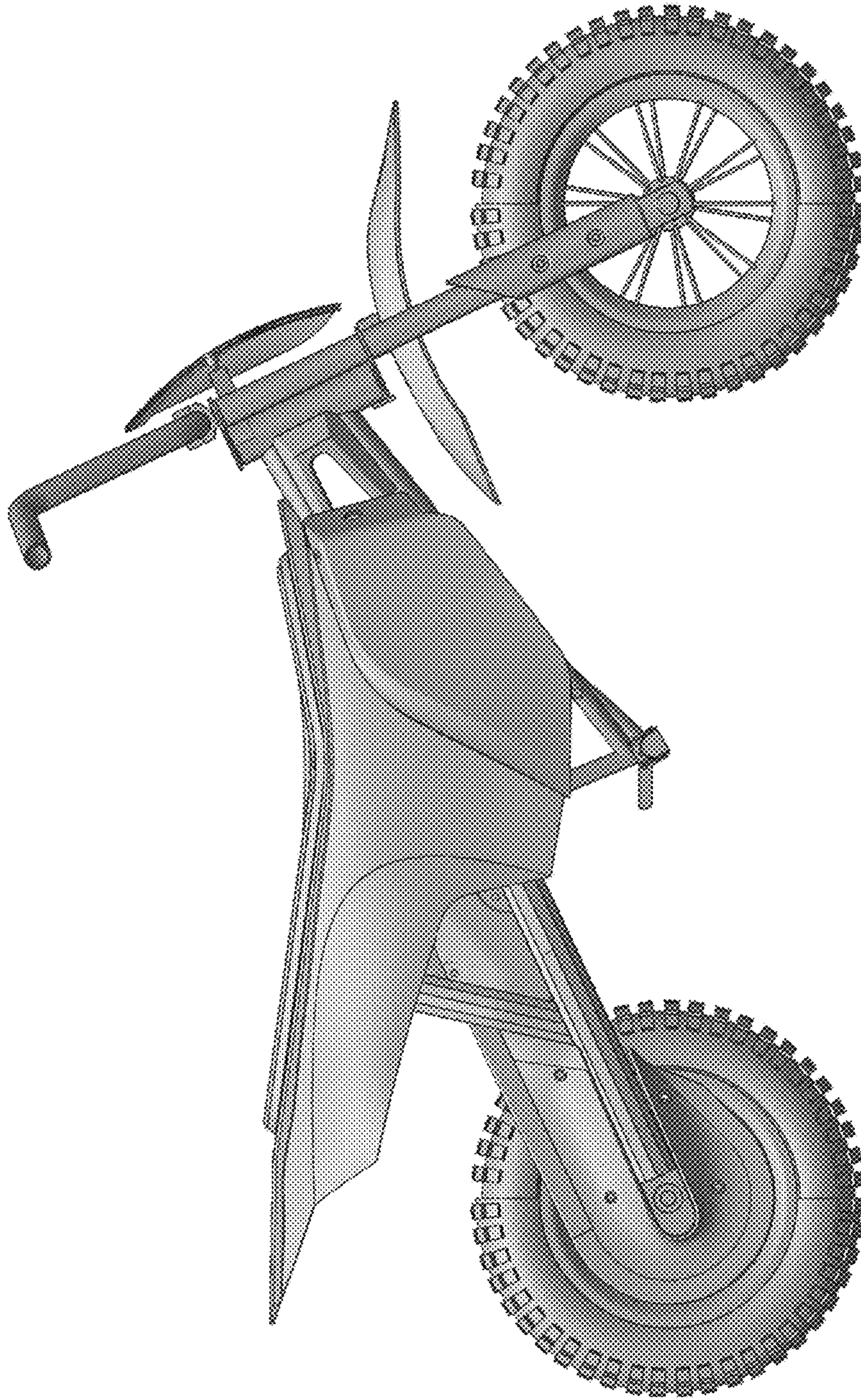


FIG. 3

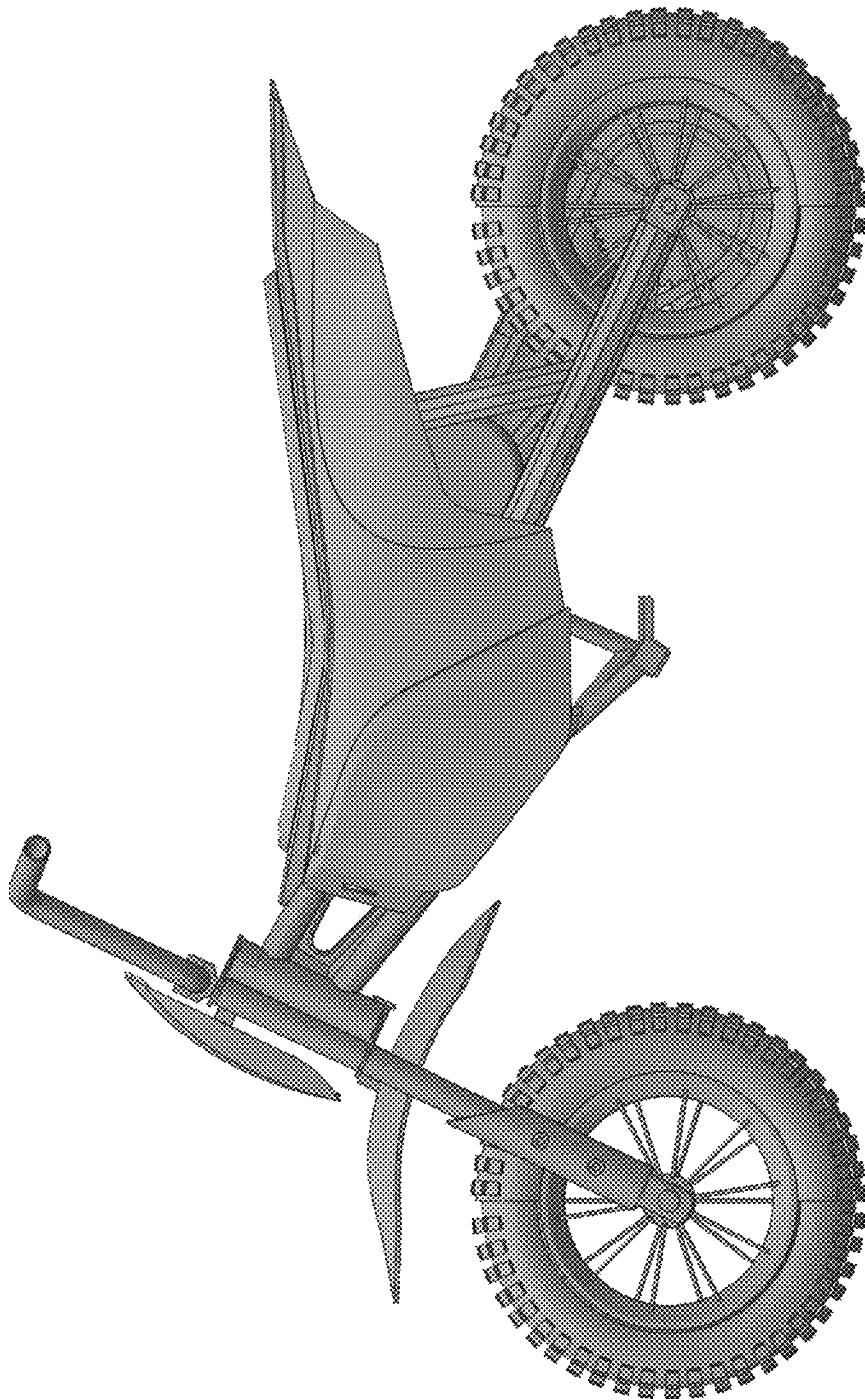


FIG. 4

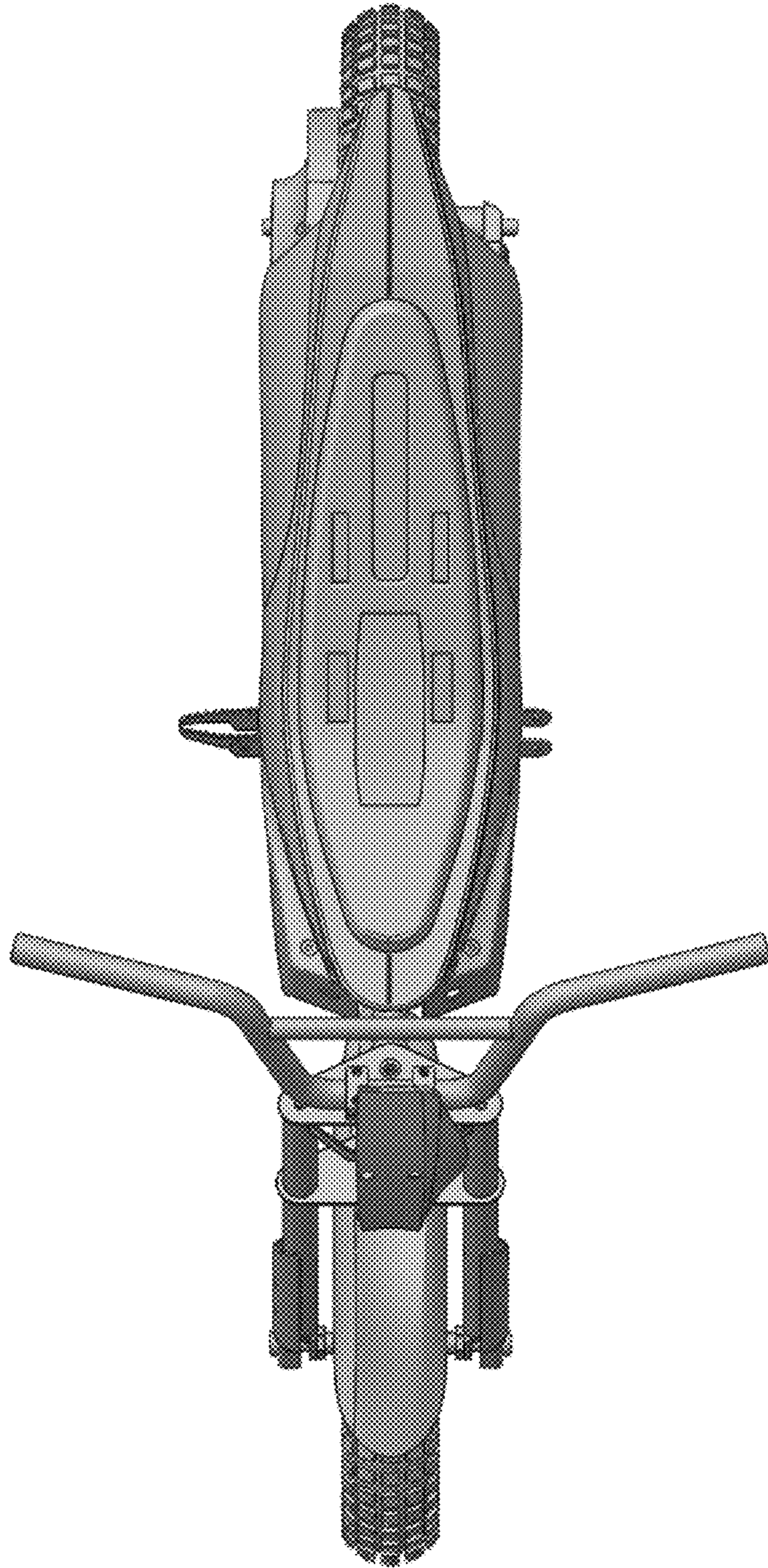


FIG. 5

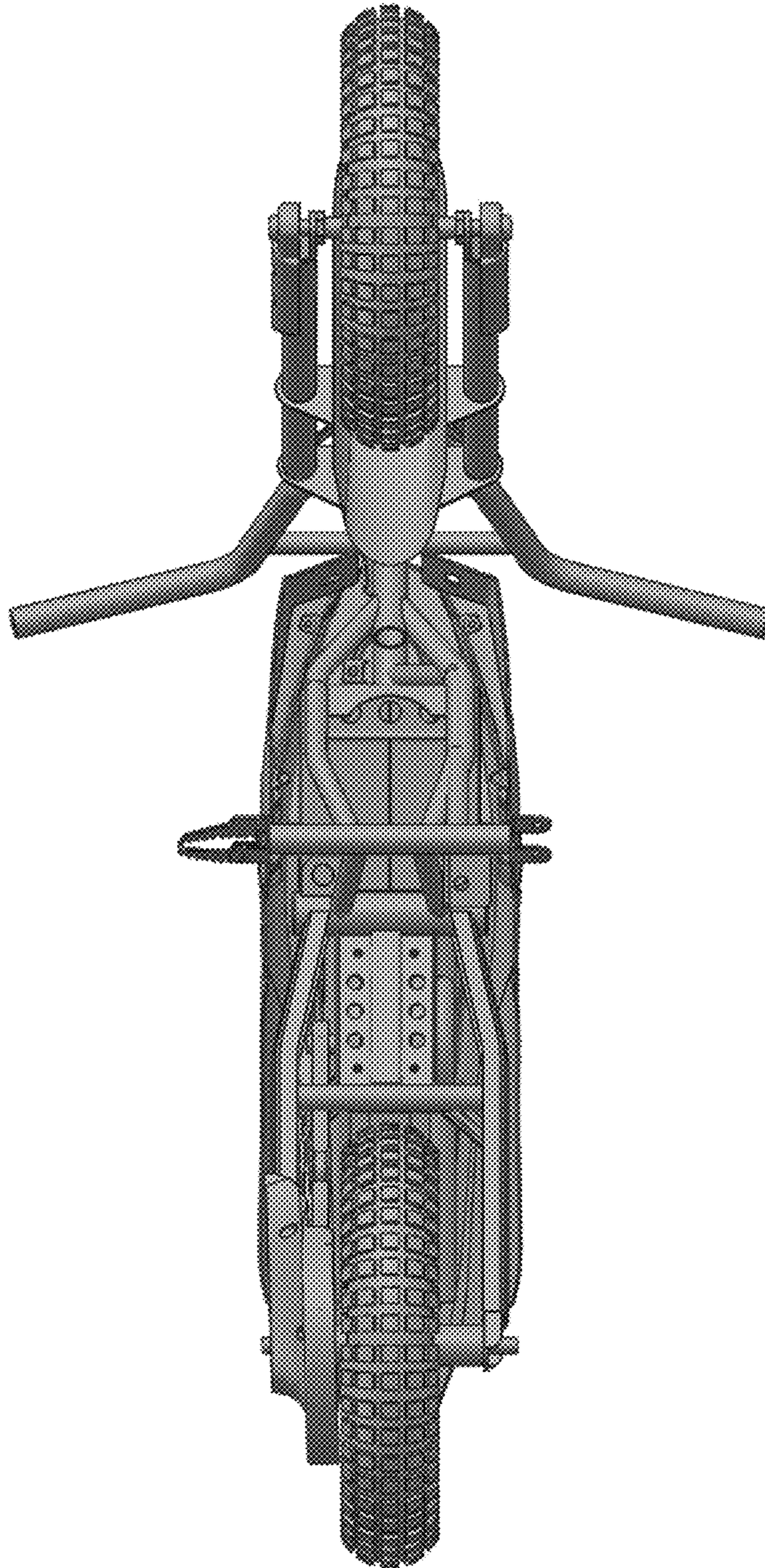


FIG. 6



FIG. 7

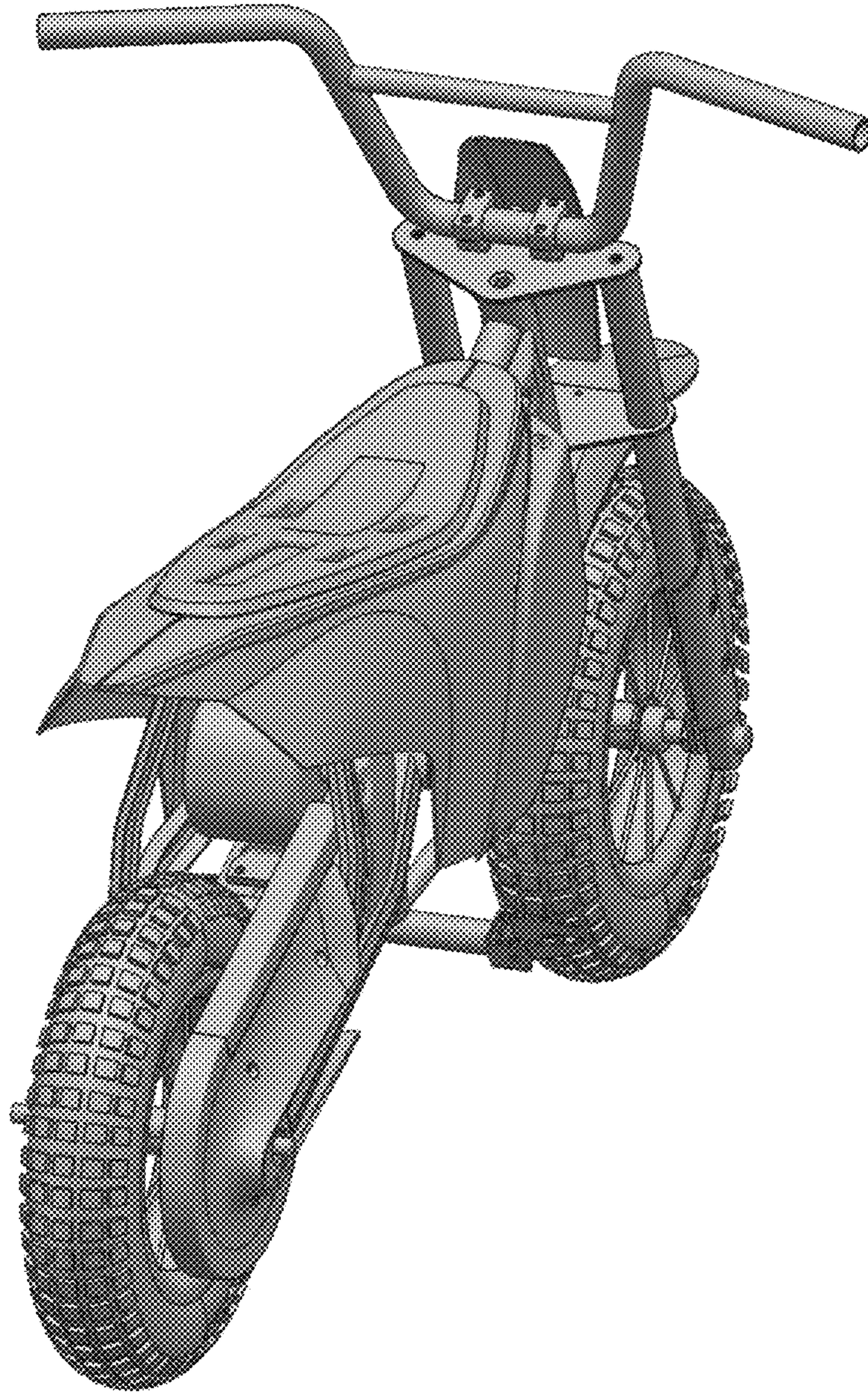


FIG. 8