



US00D798192S

(12) **United States Design Patent**
Zhang et al.

(10) **Patent No.:** **US D798,192 S**

(45) **Date of Patent:** **** Sep. 26, 2017**

(54) **DRONE**

(71) Applicant: **BEIJING ZERO ZERO INFINITY TECHNOLOGY CO., LTD**, Beijing (CN)

(72) Inventors: **Guanqun Zhang**, Beijing (CN); **Tong Zhang**, Beijing (CN); **Mengqiu Wang**, Beijing (CN); **Zhaozhe Wang**, Beijing (CN); **Lixin Liu**, Beijing (CN)

(73) Assignee: **BEIJING ZERO ZERO INFINITY TECHNOLOGY CO., LTD**, Beijing (CN)

(**) Term: **15 Years**

(21) Appl. No.: **29/569,110**

(22) Filed: **Jun. 23, 2016**

(30) **Foreign Application Priority Data**

Dec. 28, 2015 (CN) 2015 3 0561791

(51) **LOC (10) Cl.** **12-01**

(52) **U.S. Cl.**
USPC **D12/16.1**

(58) **Field of Classification Search**

USPC D12/16.1, 319-345; D21/436, 441, 442, D21/443, 446, 447, 448, 449, 450, 451, D21/452, 453, 454; D14/250-252
CPC ... B64C 27/20; B64C 27/08; B64C 2201/104; B64C 2201/021; B64C 2201/128; B64C 2201/024; B64C 2201/141; B64C 2201/108; B64C 39/024

See application file for complete search history.

(56) **References Cited**

U.S. PATENT DOCUMENTS

D189,462 S * 12/1960 Vogt D12/329
D193,369 S * 8/1962 Walker D12/330

D196,213 S * 9/1963 Paxhla D12/330
D373,771 S * 9/1996 Messelhi D13/184
D397,200 S * 8/1998 Wang D23/353
D408,907 S * 4/1999 Moreno D23/381
D424,684 S * 5/2000 Swyst D23/351
D425,194 S * 5/2000 Swyst D23/351
D425,979 S * 5/2000 Lozzio D23/370
D438,299 S * 2/2001 Gonzales D23/380
D454,191 S * 3/2002 Swyst D23/411
D455,746 S * 4/2002 Ronzani D14/344
D516,807 S * 3/2006 Richardson D3/273
D606,986 S * 12/2009 de Jong D14/250
D634,313 S * 3/2011 Fitzpatrick D14/250
D671,932 S * 12/2012 Azoulay D14/250
D674,801 S * 1/2013 Wharram D13/102
D685,785 S * 7/2013 Seoc D14/353
D708,272 S * 7/2014 Schmelter D12/16.1
D729,219 S * 5/2015 Yung D14/250

(Continued)

Primary Examiner — Robert M Spear

Assistant Examiner — Marissa J Cash

(74) *Attorney, Agent, or Firm* — Yue Xu; U.S. Fairsky LLP

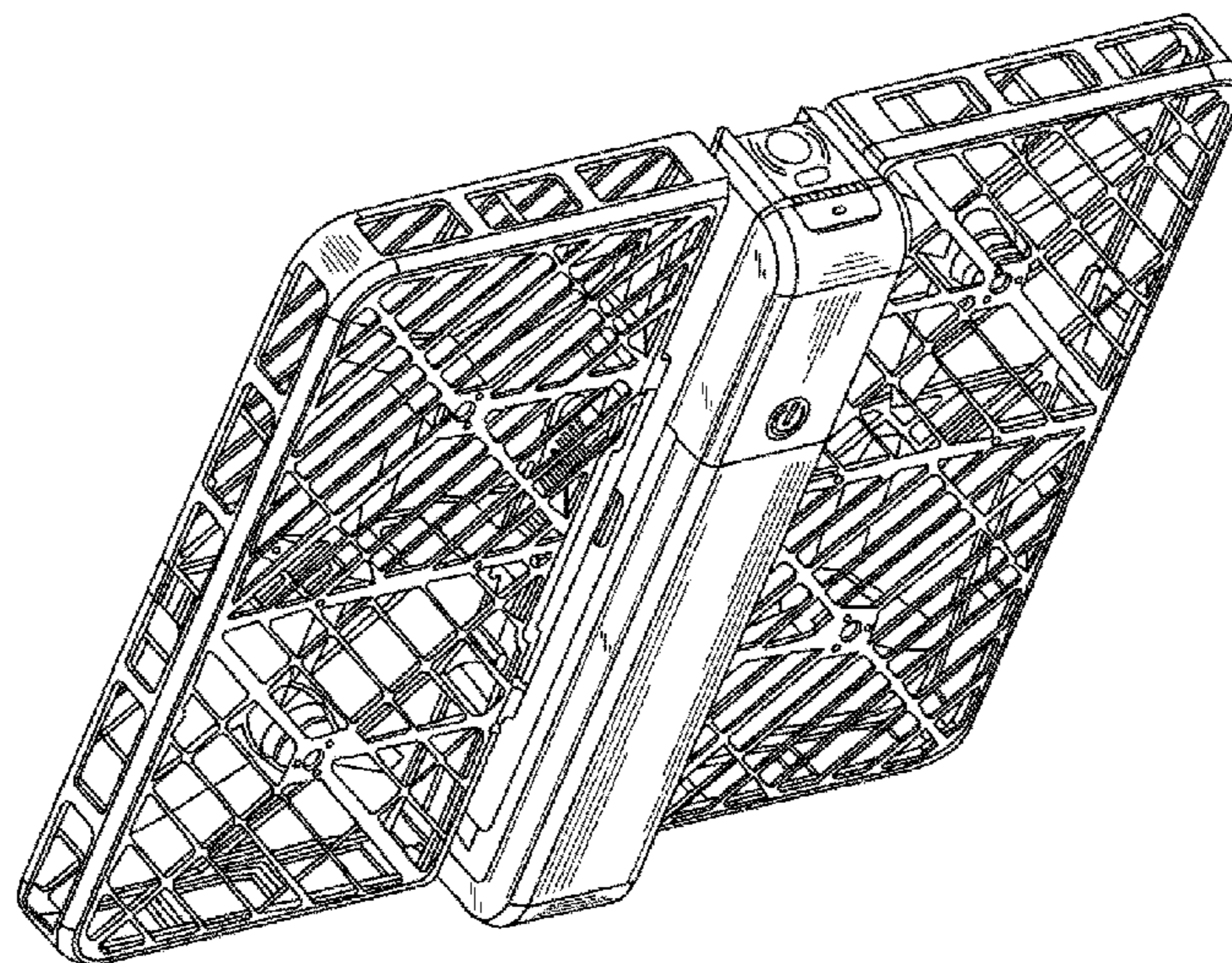
(57) **CLAIM**

The ornamental design for a drone, as shown and described.

DESCRIPTION

FIG. 1 is a front view of a drone in accordance with the present invention;
FIG. 2 is a rear view of the drone in FIG. 1;
FIG. 3 is a left view of the drone in FIG. 1;
FIG. 4 is a right view of the drone in FIG. 1;
FIG. 5 is a top view of the drone in FIG. 1;
FIG. 6 is a bottom view of the drone in FIG. 1;
FIG. 7 is a front perspective view of the drone in FIG. 1;
FIG. 8 is a rear perspective view of the drone in FIG. 1; and,
FIG. 9 is a reference view showing the drone in FIG. 1 in an alternate design position.

1 Claim, 9 Drawing Sheets



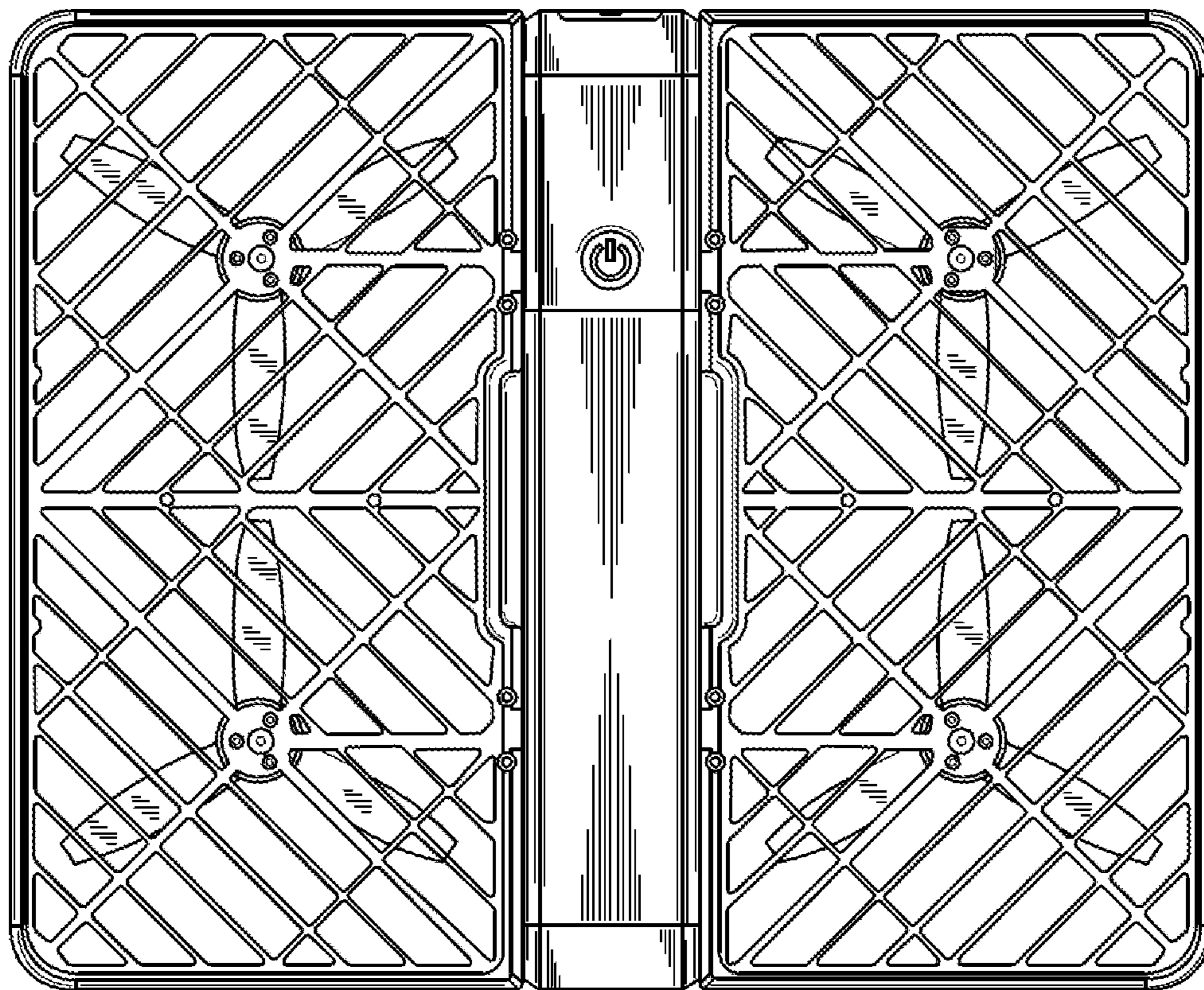


FIG. 1

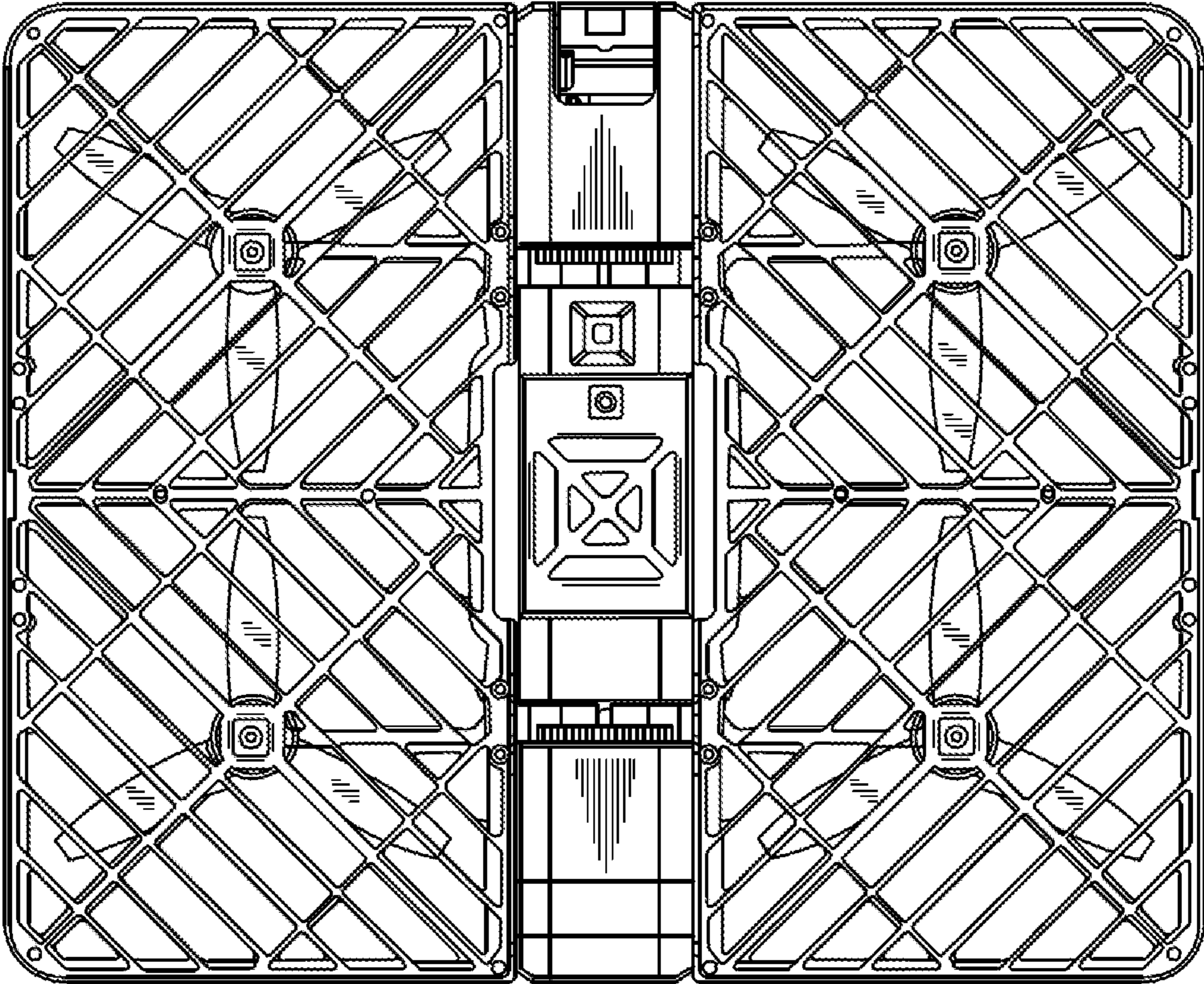


FIG. 2

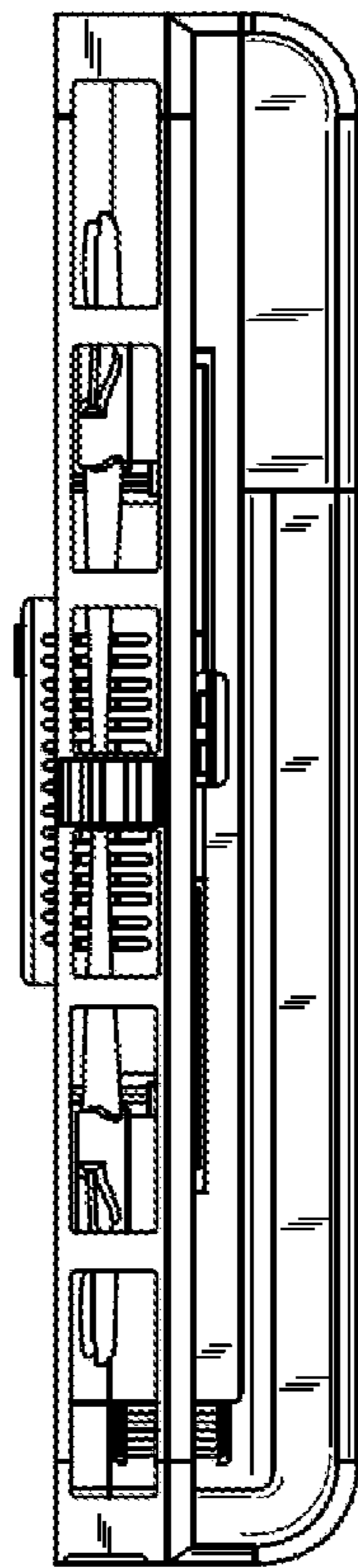


FIG. 3

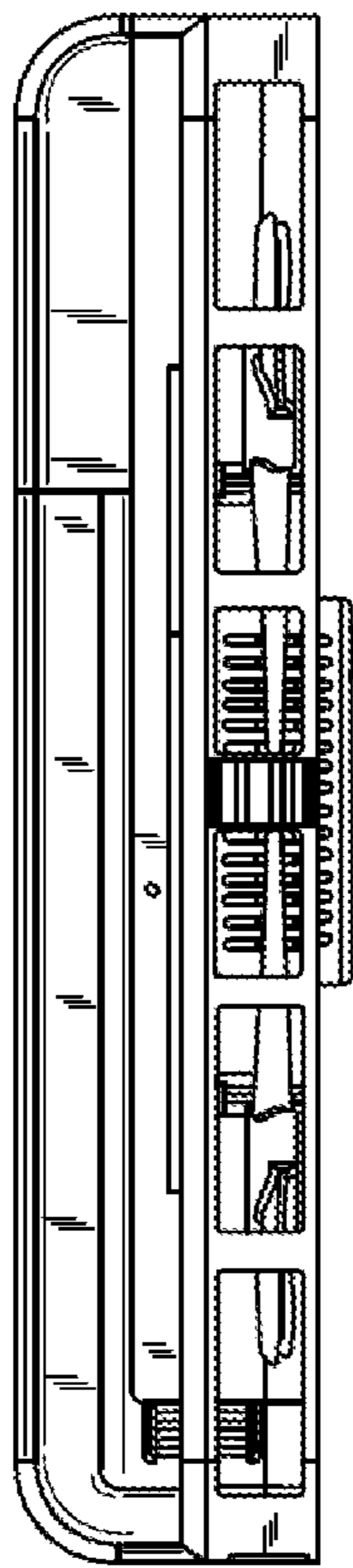


FIG. 4

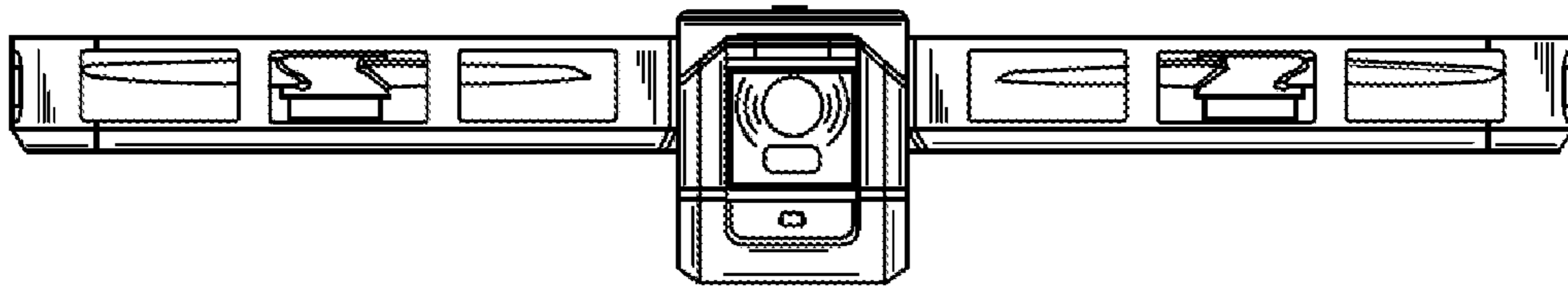


FIG. 5

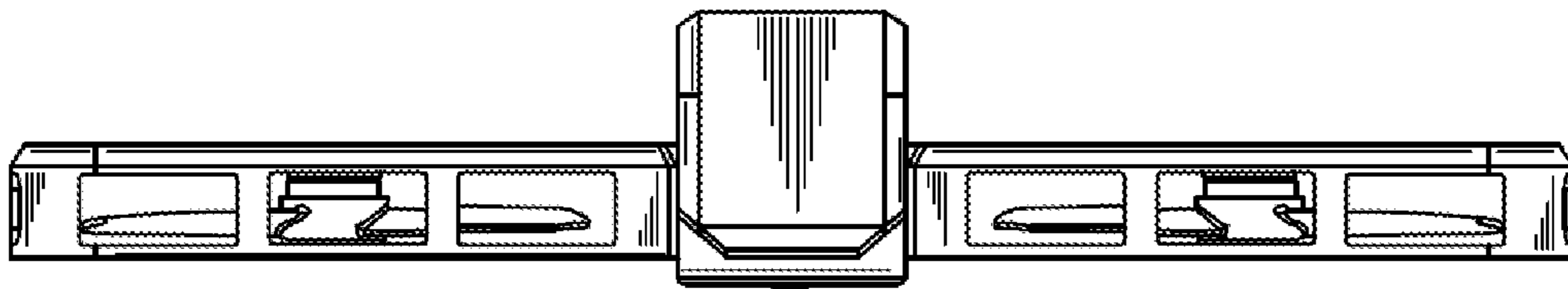


FIG. 6

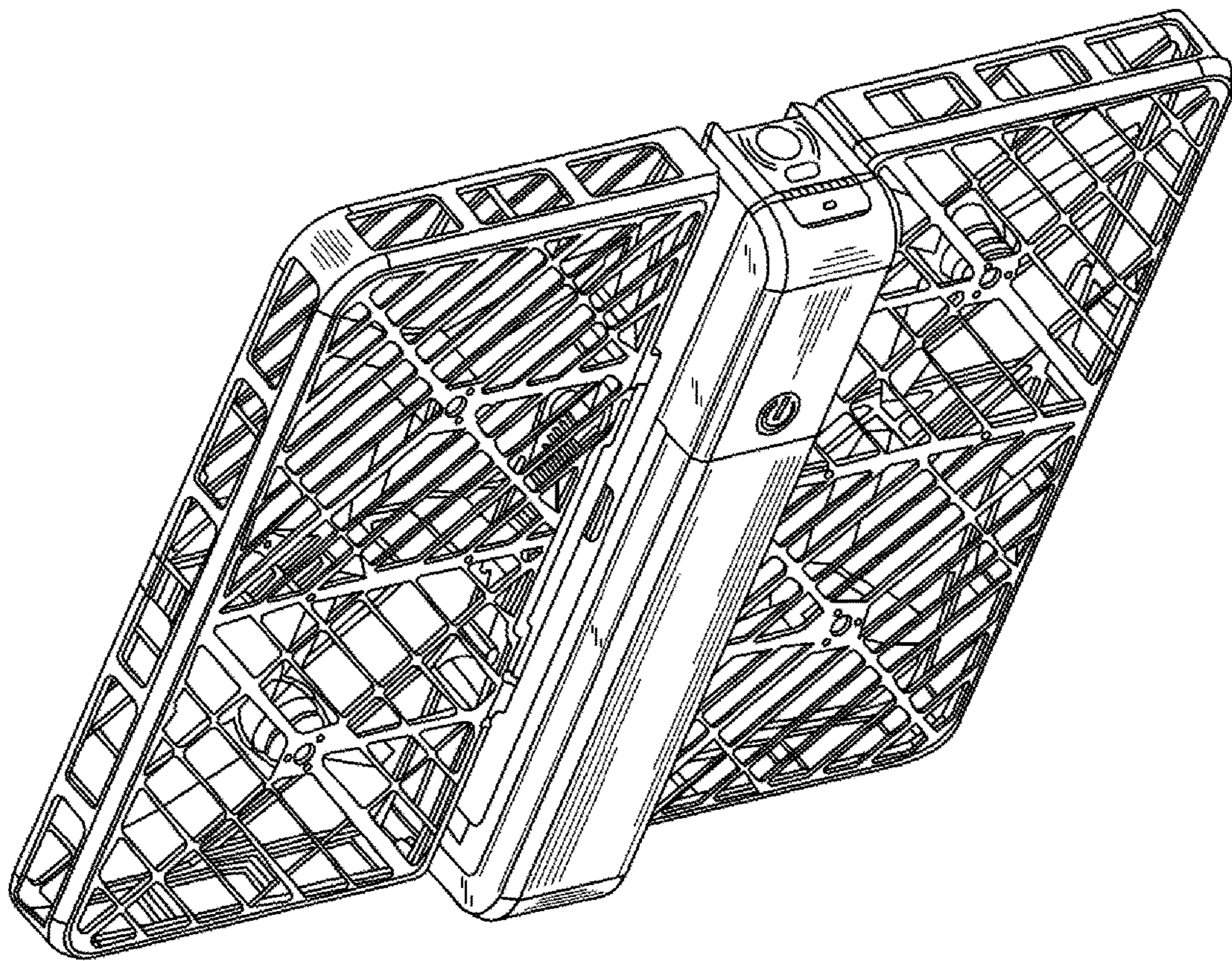


FIG. 7

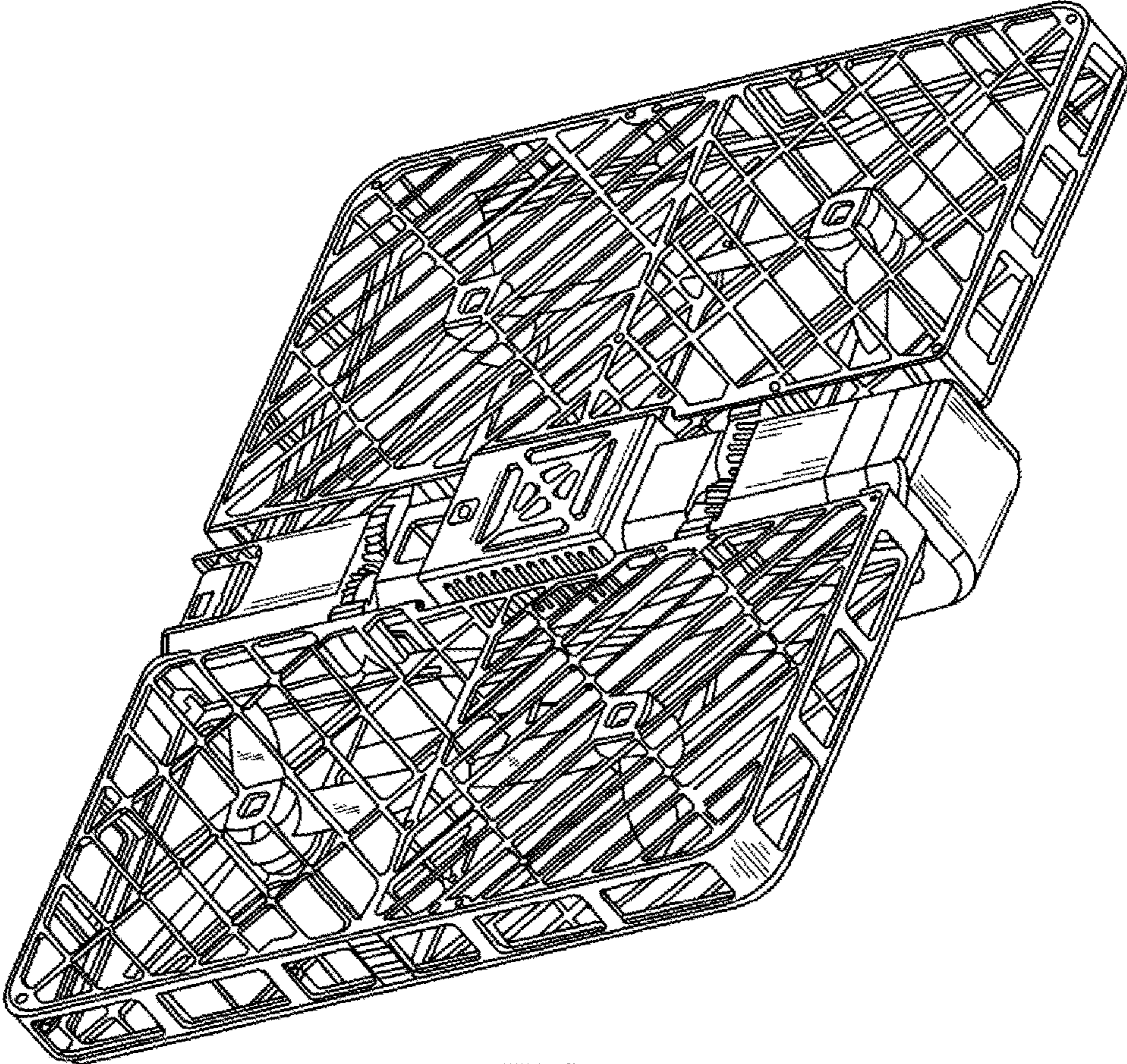


FIG. 8

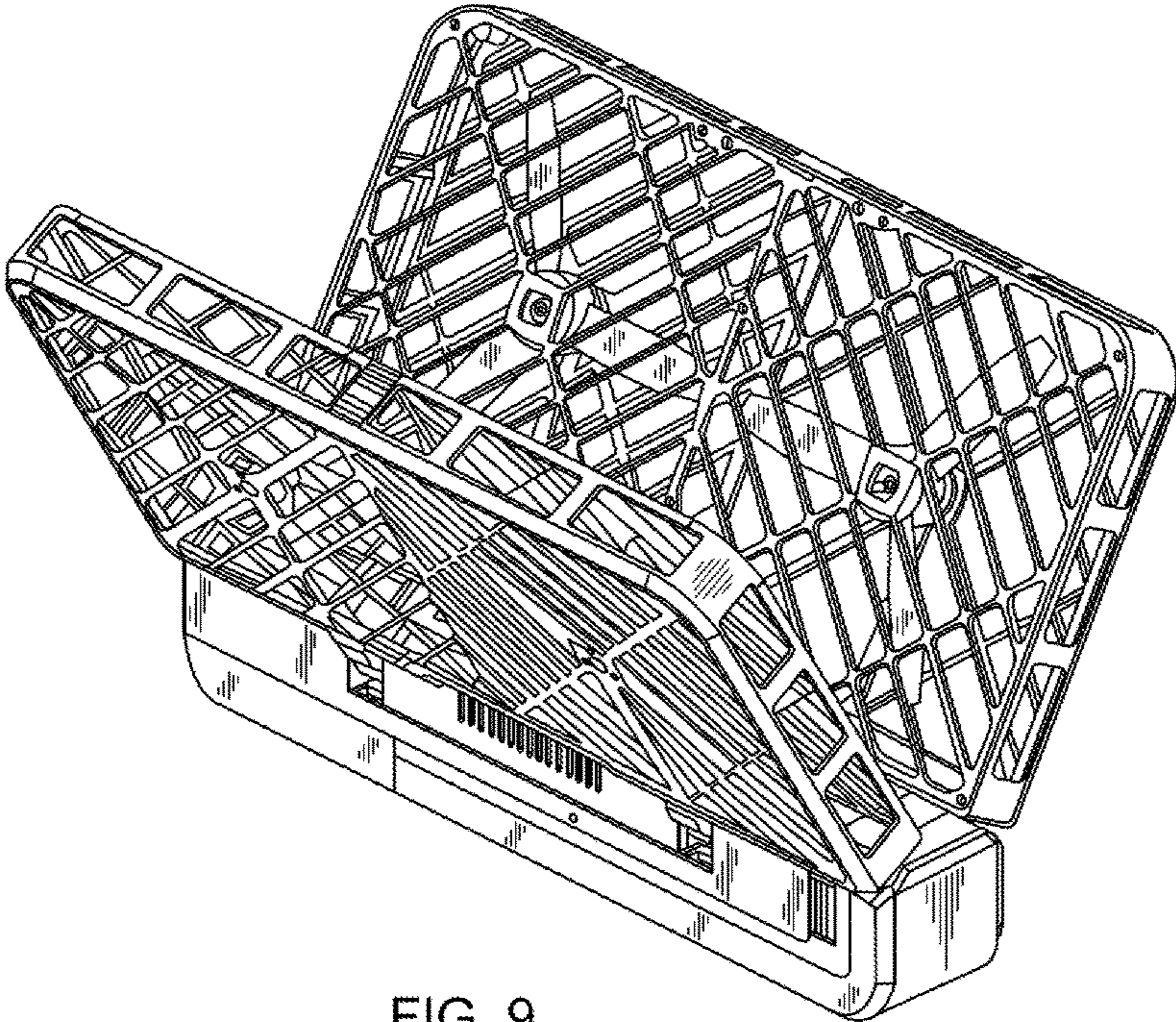


FIG. 9