



US00D798191S

(12) **United States Design Patent** (10) **Patent No.:** **US D798,191 S**
Zander (45) **Date of Patent:** **** Sep. 26, 2017**

(54) **CUFFLINK**

(71) Applicant: **Montblanc-Simplo GmbH**, Hamburg (DE)

(72) Inventor: **Jan Zander**, Hamburg (DE)

(73) Assignee: **Montblanc-Simplo GmbH**, Hamburg (DE)

(**) Term: **15 Years**

(21) Appl. No.: **29/552,082**

(22) Filed: **Jan. 20, 2016**

(51) **LOC (10) Cl.** **02-07**

(52) **U.S. Cl.**
USPC **D11/222**

(58) **Field of Classification Search**
USPC D11/3, 6, 7, 12-14, 40, 43, 44, 48, 49, D11/77, 86, 95-100, 116, 200, 213-215, D11/222, 226, 228, 229, 238
CPC .. A44B 1/00; A44B 1/123; A44B 1/14; A44B 5/00; A44B 5/002; A44B 5/005; A44B 5/02; A44C 1/00; A44C 3/00; A44C 3/001; A44C 3/002; A44C 3/004; A44C 3/005; A44C 3/008; A44C 13/00; A44C 23/00; A44C 25/00; A44C 25/005; A44C 25/007

See application file for complete search history.

(56) **References Cited**

U.S. PATENT DOCUMENTS

D105,413 S * 7/1937 Sampson D11/228
D107,896 S * 1/1938 Mix D11/228
2,123,790 A * 7/1938 Mix A44B 5/002
24/102 PL

2,148,183 A * 2/1939 Bagnall A44B 5/002
24/102 PL
2,149,132 A * 2/1939 Carison A44B 5/002
24/102 PL
D155,535 S * 10/1949 Oldak D11/228
3,080,630 A * 3/1963 Paliotta A44B 5/002
24/101 R
D374,838 S * 10/1996 Levinger D11/222
D396,660 S * 8/1998 Ricci D11/222
D397,064 S * 8/1998 Nelson D11/222
D508,432 S * 8/2005 Cogoli D11/222
D578,037 S * 10/2008 Edocs D11/222
D617,680 S * 6/2010 Graff D11/222
D670,594 S * 11/2012 Yu D11/30
D708,096 S * 7/2014 Lasserre D11/222
D761,158 S * 7/2016 Riviere D11/222
D768,538 S * 10/2016 Chen D11/222

* cited by examiner

Primary Examiner — George D Kirschbaum
Assistant Examiner — Joseph Kukella
(74) *Attorney, Agent, or Firm* — Taft Stettinius & Hollister LLP

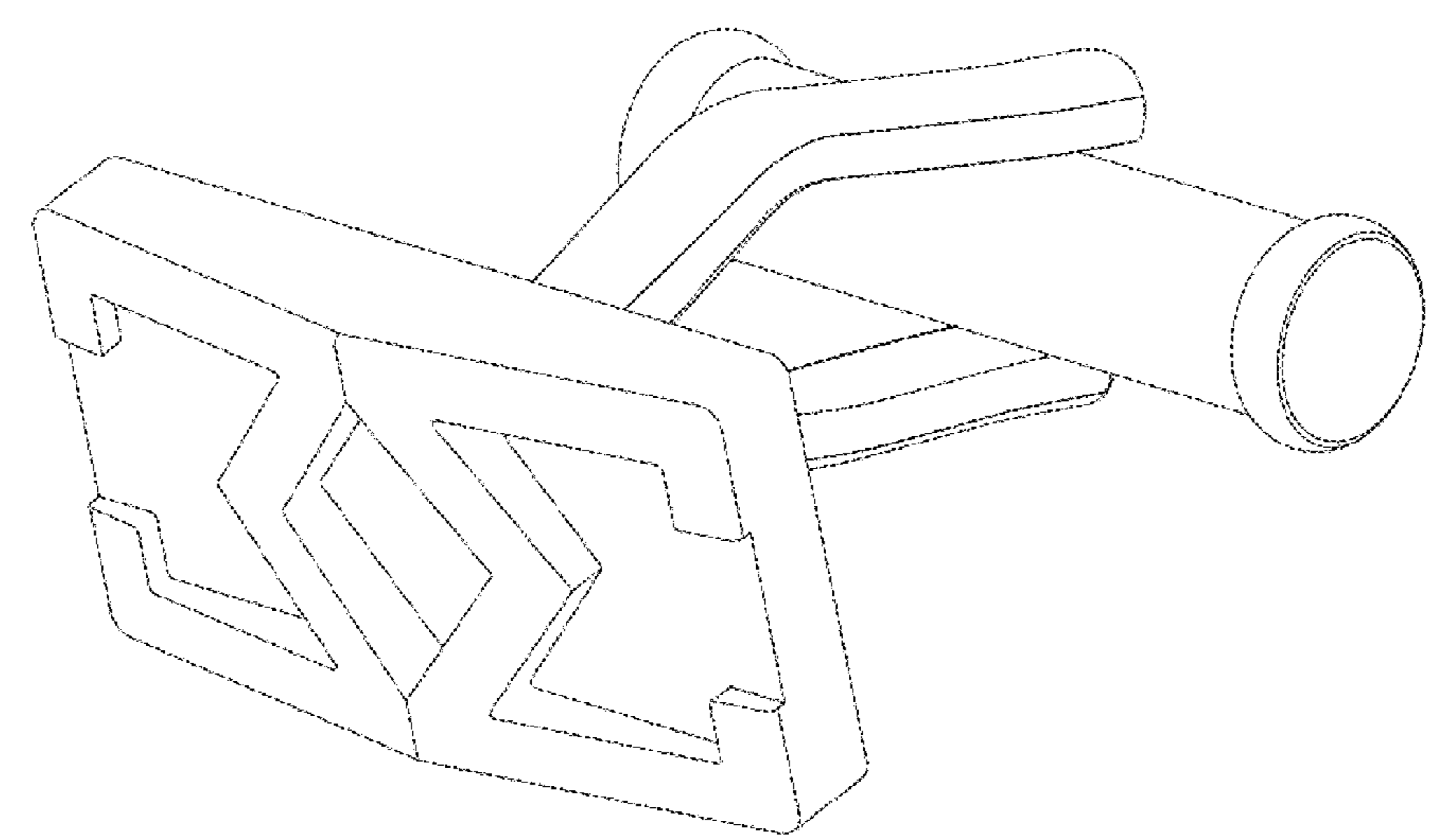
(57) **CLAIM**

The ornamental design for a cufflink, as shown and described.

DESCRIPTION

FIG. 1 is a front elevational view of a cufflink showing my new design;
FIG. 2 is a rear elevational view thereof;
FIG. 3 is a right side elevational view thereof;
FIG. 4 is a left side elevational view thereof;
FIG. 5 is a bottom plan view thereof;
FIG. 6 is a top plan view thereof;
FIG. 7 is a right, front perspective view thereof; and,
FIG. 8 is a left, rear perspective view thereof.

1 Claim, 1 Drawing Sheet



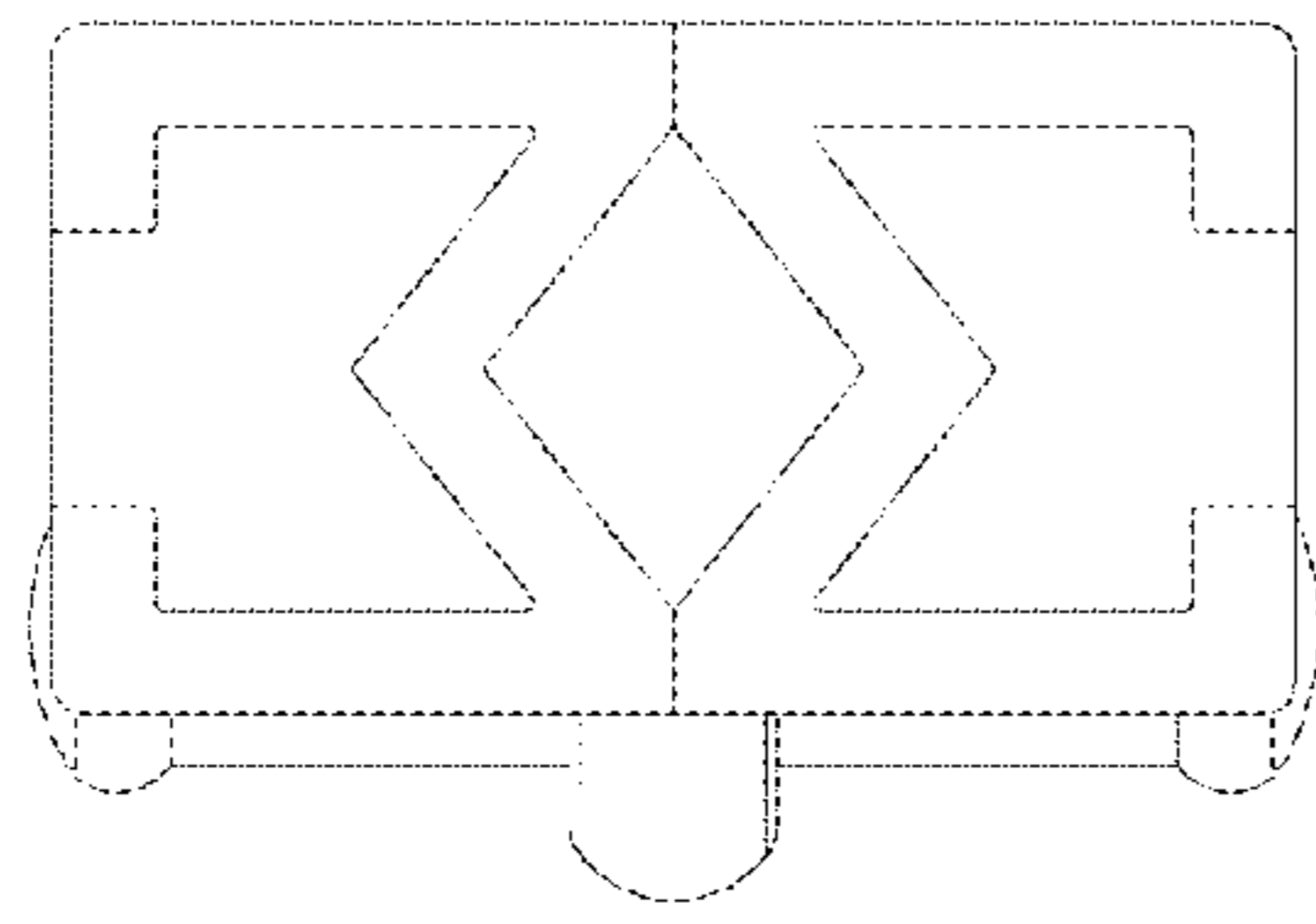


Fig. 1

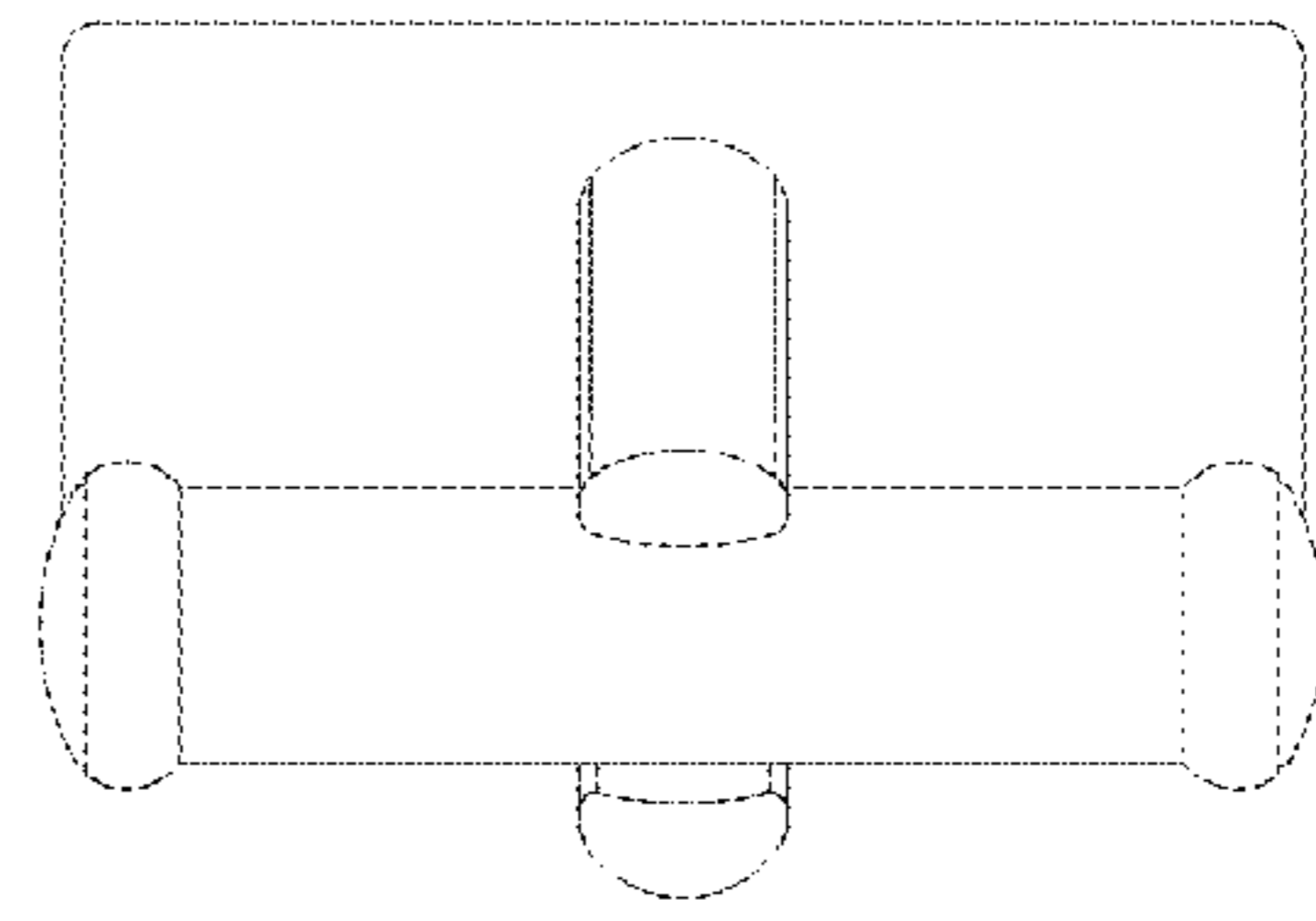


Fig. 2

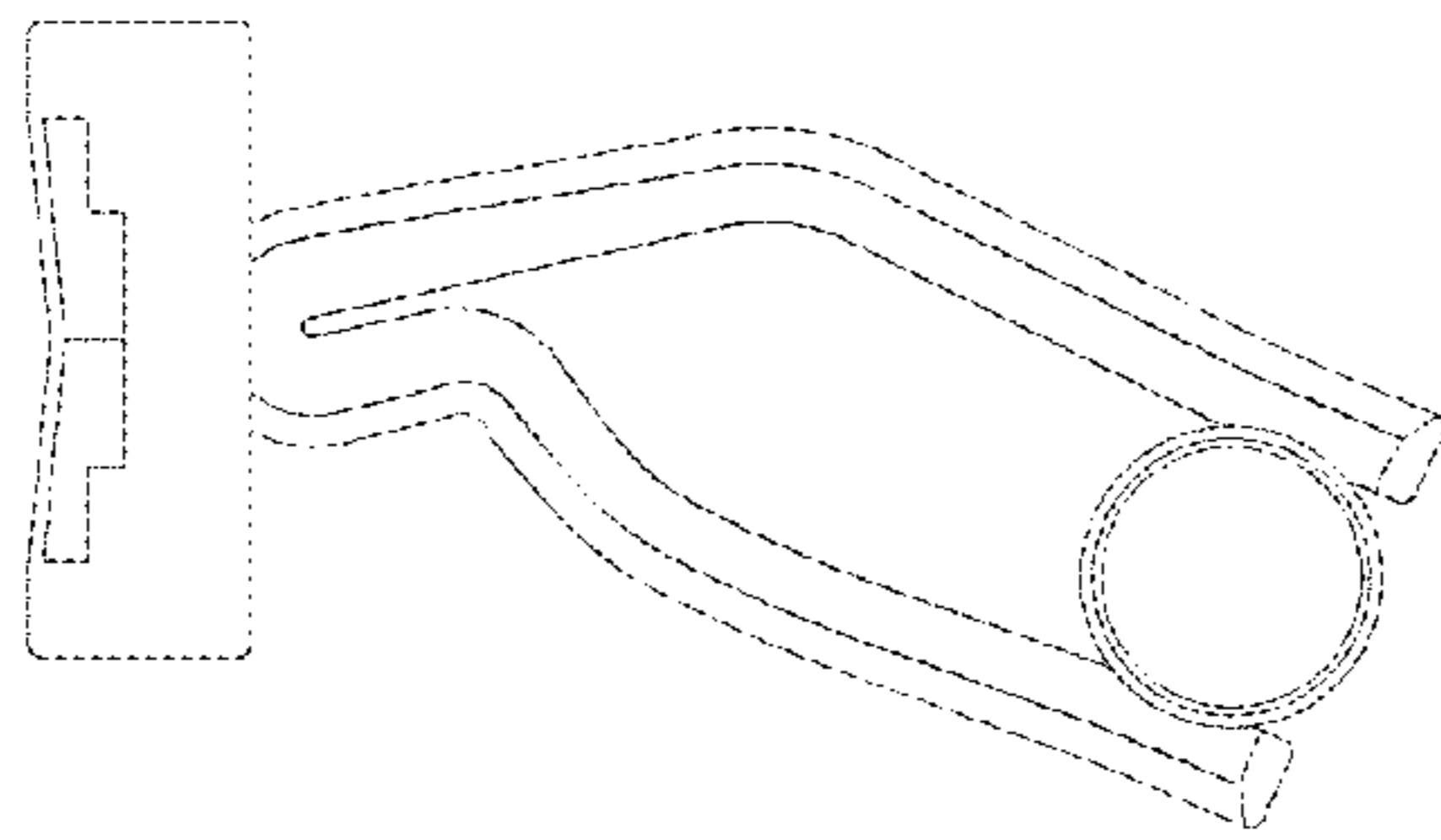


Fig. 3

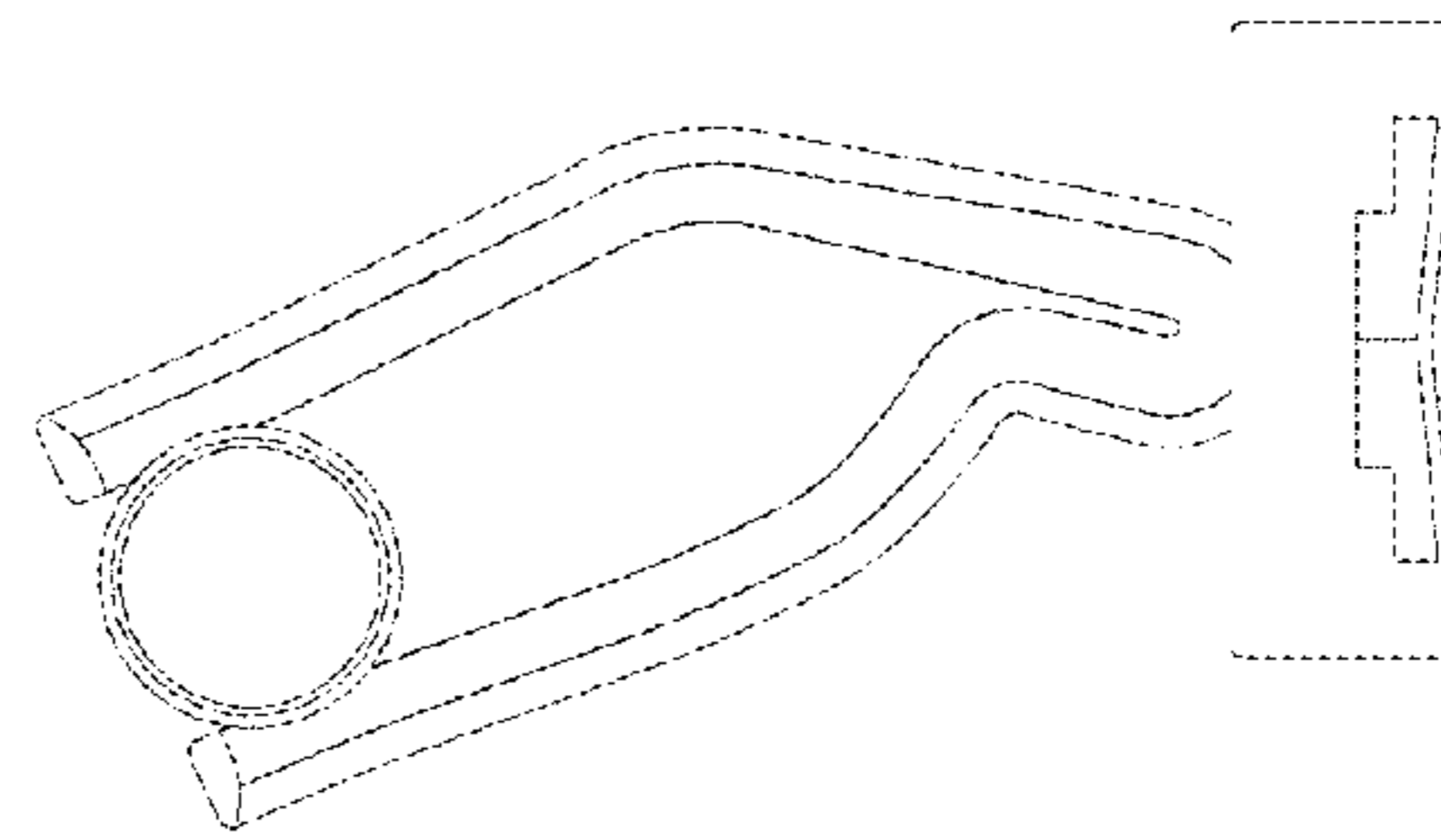


Fig. 4

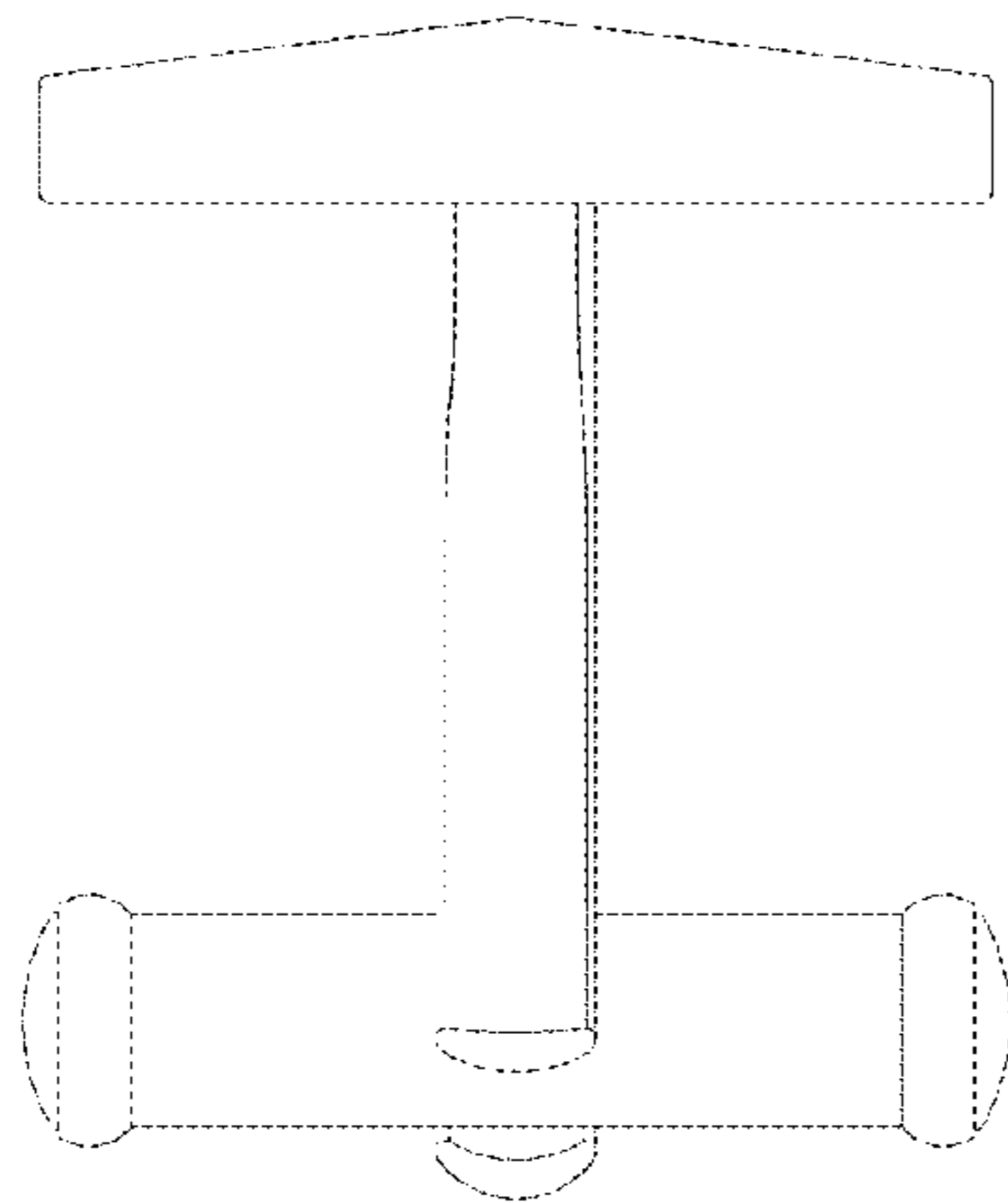


Fig. 5

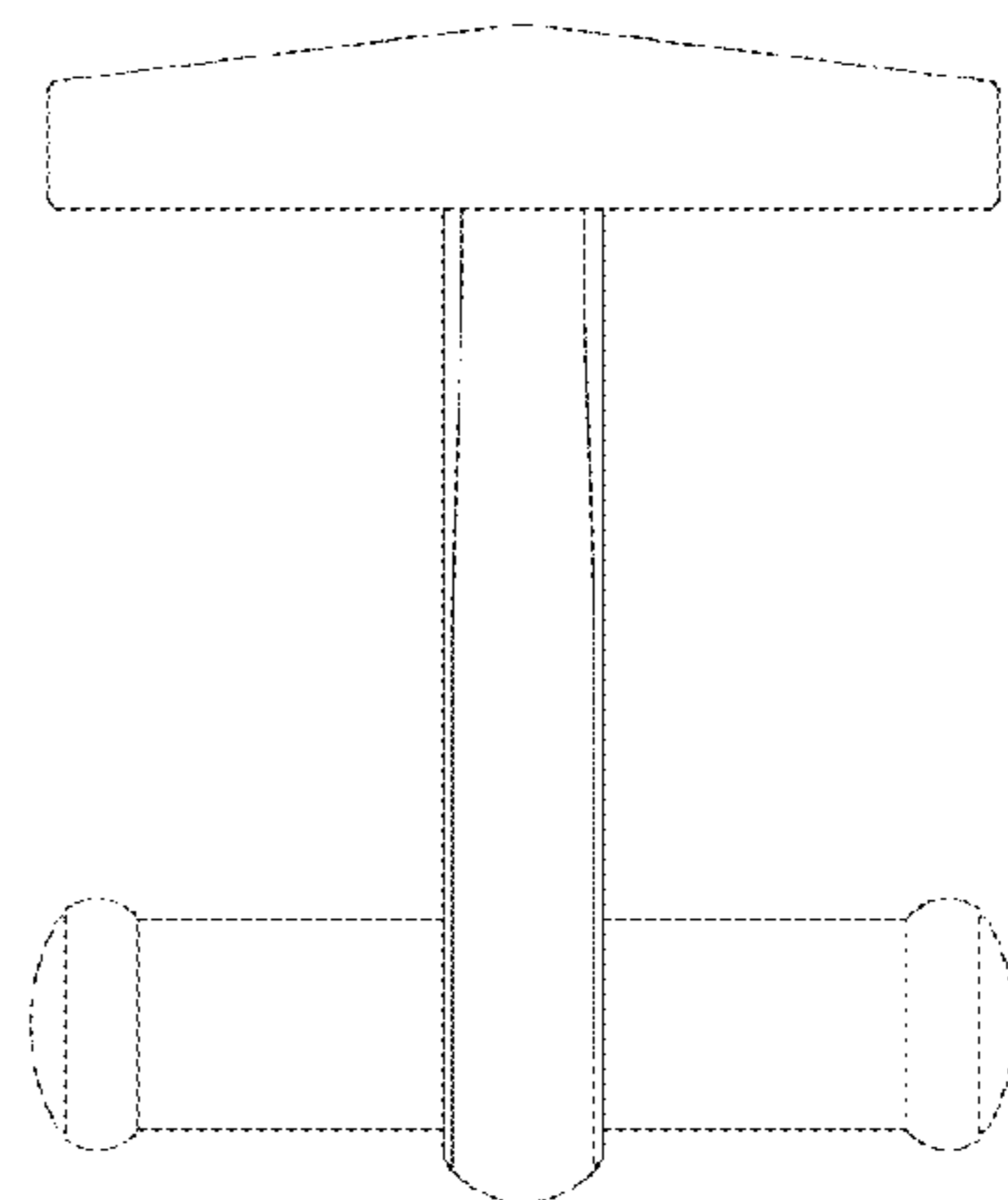


Fig. 6

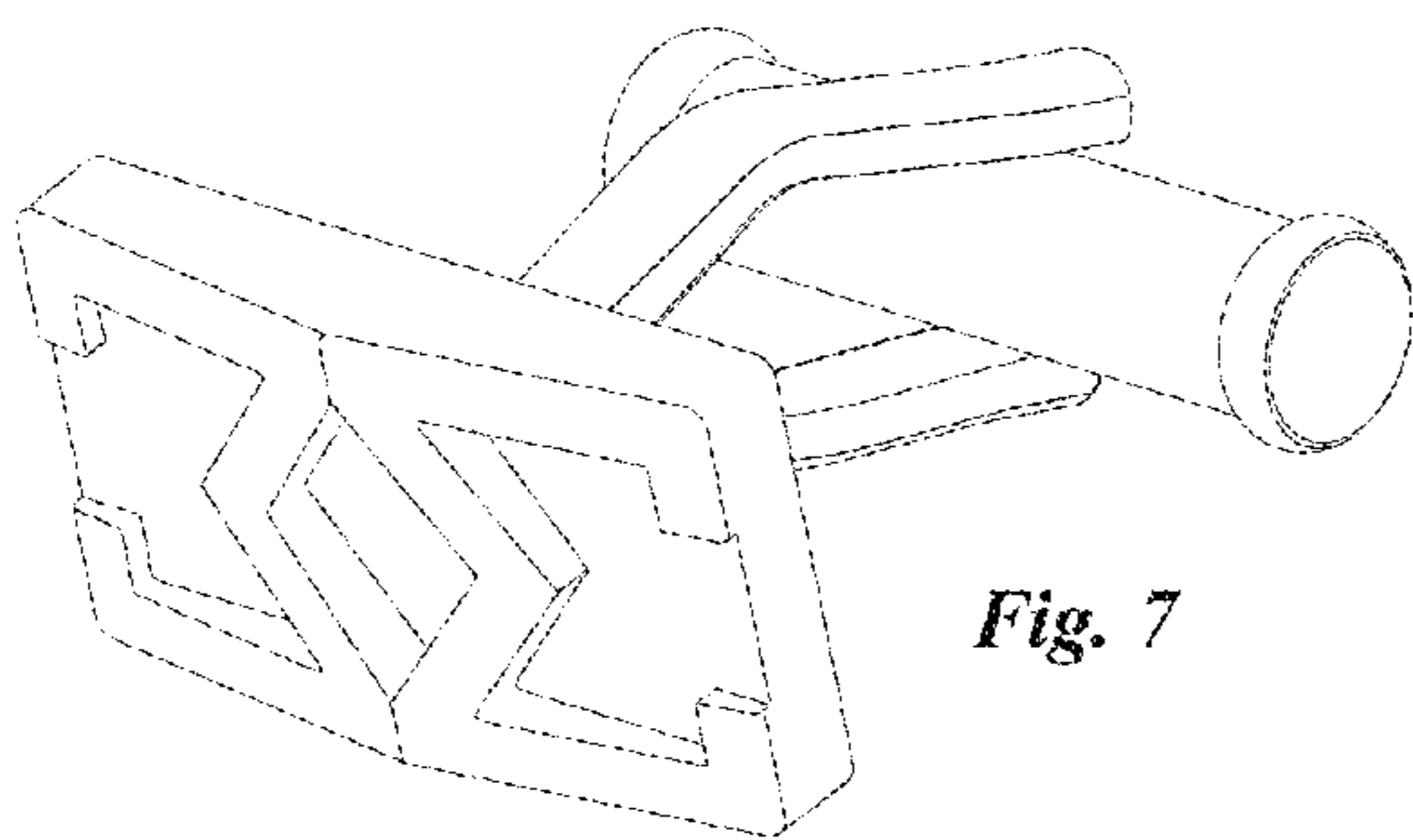


Fig. 7

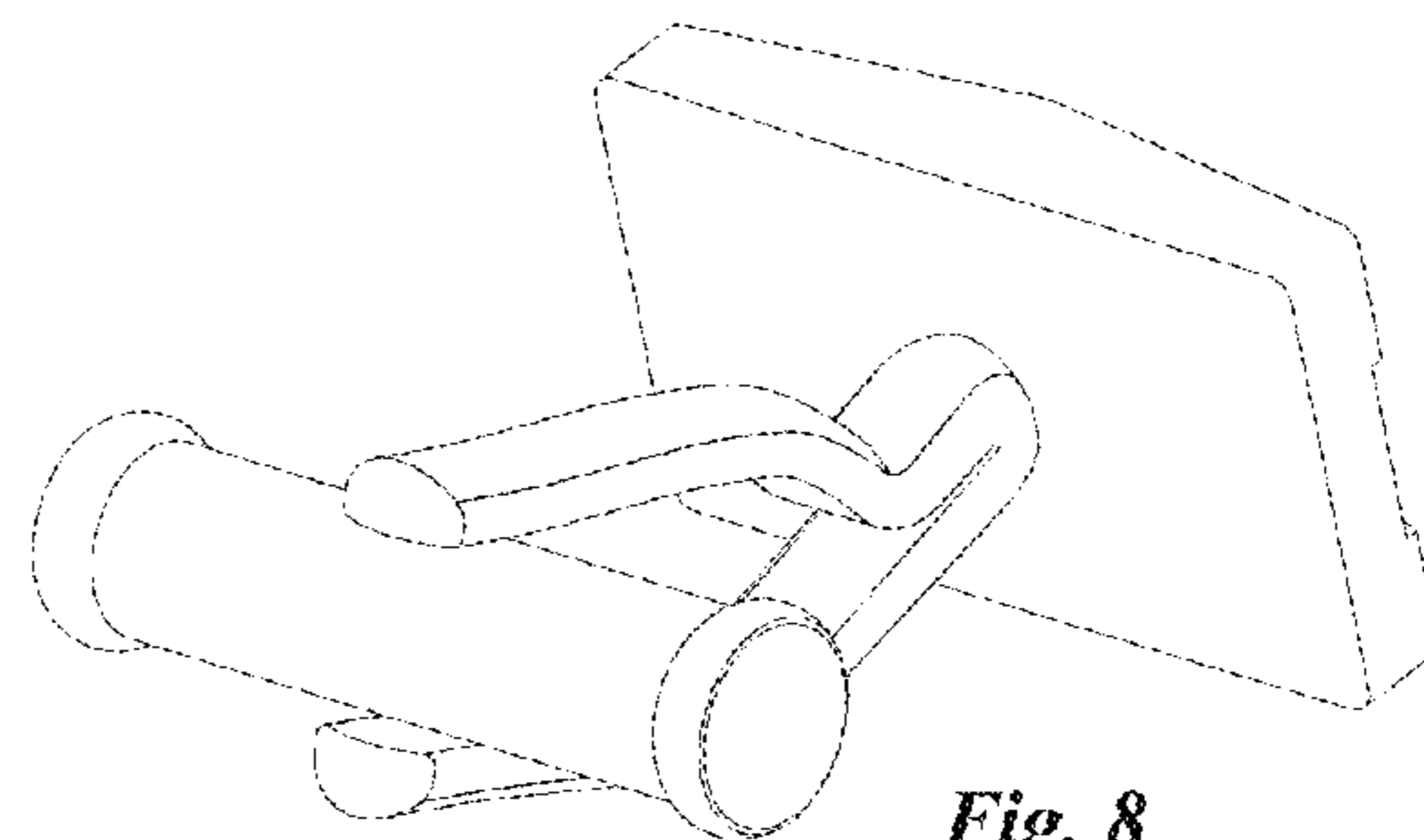


Fig. 8