



US00D798189S

(12) **United States Design Patent** (10) **Patent No.:** **US D798,189 S**
Nielsen et al. (45) **Date of Patent:** **** Sep. 26, 2017**

(54) **INSERT FOR WRISTBAND STRAP**

(56) **References Cited**

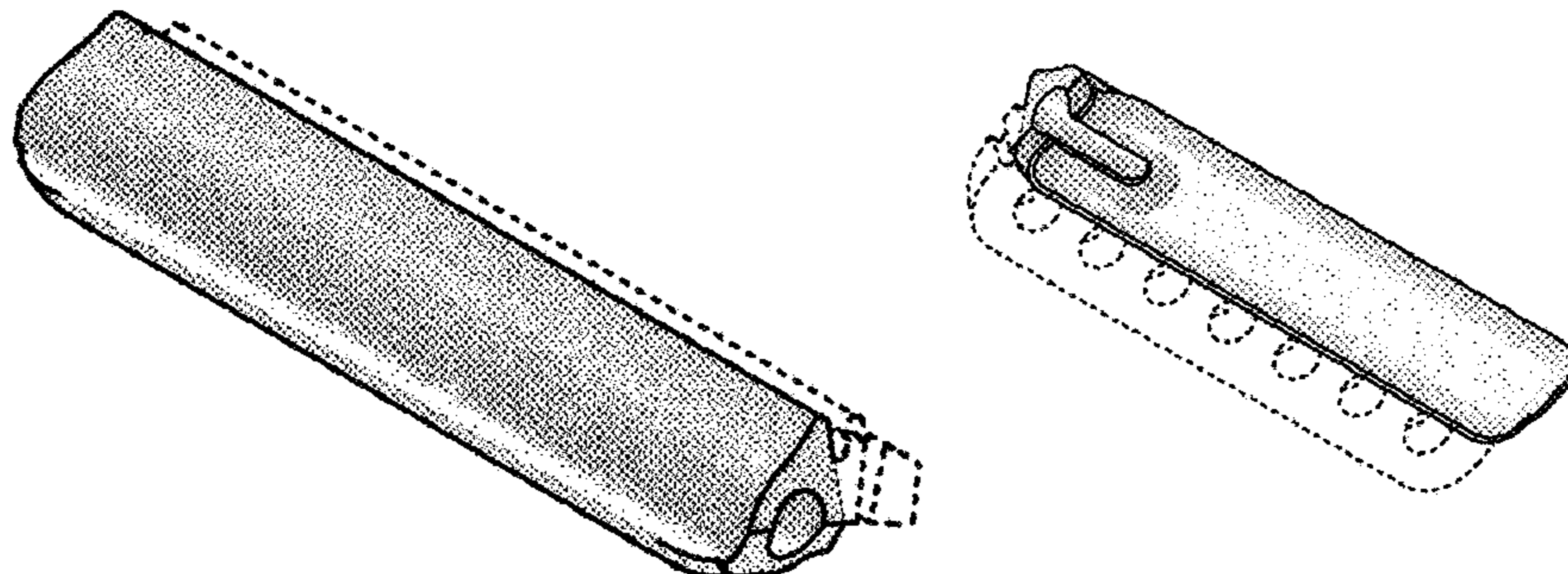
- (71) Applicant: **Fitbit, Inc.**, San Francisco, CA (US)
- (72) Inventors: **Jens Mitchell Nielsen**, San Francisco, CA (US); **Maxwell W. Davis**, Oakland, CA (US); **Gad Amit**, San Mateo, CA (US); **Daniel J. Clifton**, San Francisco, CA (US); **Erik Keith Askin**, San Francisco, CA (US); **David Chia-wen Lean**, San Francisco, CA (US)
- (73) Assignee: **Fitbit, Inc.**, San Francisco, CA (US)
- (**) Term: **15 Years**
- (21) Appl. No.: **29/553,921**
- (22) Filed: **Feb. 5, 2016**

U.S. PATENT DOCUMENTS

1,709,179	A *	4/1929	Lederer	A44C 5/14 24/265 WS
2,211,698	A *	8/1940	Kreisler	A44C 5/14 24/574.1
D141,753	S	7/1945	Du Bois	
2,650,398	A *	9/1953	Bangs	A44C 5/185 24/116 A
2,871,592	A	2/1959	Polzin	
2,901,806	A *	9/1959	Henshel	A44C 5/14 24/265 B
2,986,794	A *	6/1961	Boots	A44C 5/14 24/265 B
3,740,804	A *	6/1973	Levinger	A44C 5/14 24/265 B
RE28,793	E *	5/1976	Bert	A44C 5/14 224/164
D249,455	S *	9/1978	Tilley	D8/323
D272,759	S	2/1984	Koziol	
D299,718	S	2/1989	Steer et al.	
D305,422	S	1/1990	Steer et al.	
D315,111	S	3/1991	Rogalski	
D323,787	S	2/1992	Moorman	
D331,020	S	11/1992	Ishii et al.	
D333,994	S *	3/1993	Mesnard	D10/103
D400,112	S	10/1998	Rider	
5,951,193	A *	9/1999	Yamamoto	A44C 5/105 24/265 B
D445,041	S	7/2001	Tan et al.	
D449,008	S	10/2001	Sargent	
D455,093	S	4/2002	Fitzgerald	
D471,471	S	3/2003	Fu et al.	
D480,653	S	10/2003	Lo	
6,738,317	B2	5/2004	Nussbaum	
D500,688	S *	1/2005	Schwarz	D10/46
D517,441	S	3/2006	Heatherly et al.	
D528,439	S	9/2006	Burton	
D528,928	S	9/2006	Burton	
D535,055	S	1/2007	Been et al.	
D536,265	S	2/2007	Reynoso	
D538,687	S	3/2007	Komulainen	
D545,220	S	6/2007	Leung	
D548,128	S	8/2007	Andren et al.	
D549,602	S	8/2007	Oberrieder et al.	
D550,105	S	9/2007	Oberrieder et al.	
D550,112	S	9/2007	Andren et al.	
D553,512	S	10/2007	Tang	
D556,194	S	11/2007	Rambosek et al.	

Related U.S. Application Data

- (63) Continuation of application No. 29/537,616, filed on Aug. 27, 2015, now Pat. No. Des. 777,590.
- (51) **LOC (10) Cl.** **11-01**
- (52) **U.S. Cl.**
USPC **D11/94**; D10/128
- (58) **Field of Classification Search**
USPC D10/30, 31, 32, 38, 39, 46, 61, 70, 74, D10/80, 103, 124, 128, 131; D11/1-40, D11/86-94; D24/167, 186
CPC A44C 5/00; A44C 5/12; A44C 5/14; A44C 5/18; A44C 5/147; A44C 5/185; A44C 5/2047; A44C 5/2052; A44C 5/0007; A44C 5/003; A44C 5/0015; A44C 5/0023; A44C 5/0053; A44C 5/0061; A44C 5/0069; A44C 5/0076; A44B 11/24; A44B 11/006; G09G 3/38; G06F 1/163; G06Q 50/24; H05K 5/0278; G06K 19/07732; Y10T 24/44043; Y10T 24/4406
See application file for complete search history.



US D798,189 S

Page 2

7,293,332	B2 *	11/2007	Maillard	A44C 5/14 24/265 B	D740,807 S	10/2015	Daniel
					D741,726 S	10/2015	Akana et al.
7,311,526	B2	12/2007	Rohrbach et al.		D742,373 S	11/2015	Ji et al.
D559,723	S	1/2008	Kraus et al.		D743,820 S	11/2015	Song
D560,520	S	1/2008	Oberrieder et al.		9,189,023 B2	11/2015	Lim
D564,367	S	3/2008	Molyneux		D744,869 S	12/2015	Dallmeyer et al.
D567,227	S	4/2008	Hada		D745,009 S	12/2015	Jensen
D567,676	S	4/2008	Tang		D745,513 S	12/2015	Jung et al.
D569,282	S	5/2008	Daniel		D745,868 S	12/2015	Choi et al.
D573,905	S	7/2008	Poirier		D746,702 S	1/2016	Galli
D581,826	S	12/2008	Molyneux		D746,776 S	1/2016	Park et al.
D584,974	S	1/2009	Fukuda et al.		D747,313 S	1/2016	Song
D586,673	S	2/2009	Kobayakawa		D747,714 S	1/2016	Erbeus
D586,674	S	2/2009	Solarewicz		D749,002 S	2/2016	Park et al.
D589,375	S	3/2009	Tang		D749,569 S	2/2016	Ji et al.
7,529,155	B2	5/2009	Fasciano		D750,622 S	3/2016	Chen et al.
D595,163	S	6/2009	Kim et al.		D751,069 S	3/2016	Choi et al.
D595,858	S	7/2009	Kazel		D751,452 S	3/2016	Henning
D602,386	S	10/2009	Ueda et al.		D752,043 S	3/2016	Ji et al.
D610,476	S	2/2010	Daniel		D752,046 S	3/2016	Jun
D630,582	S	1/2011	Dai et al.		D752,578 S	3/2016	Ji et al.
D635,873	S	4/2011	Ogihara et al.		D759,516 S	6/2016	Ling et al.
D637,094	S	5/2011	Cobbett et al.		D759,523 S	6/2016	Ling et al.
D637,506	S	5/2011	Toyoshima et al.		D759,622 S	6/2016	Dahlberg
D645,360	S	9/2011	Kiser et al.		D759,826 S	6/2016	Martinez et al.
D656,856	S	4/2012	Kleinberg		D761,675 S	7/2016	Thaveeprungsriporn et al.
D664,880	S	8/2012	Cobbett et al.		D762,210 S	7/2016	Lee et al.
D664,881	S	8/2012	Cobbett et al.		D763,107 S	8/2016	Nielsen et al.
D664,882	S	8/2012	Cobbett et al.		D763,719 S	8/2016	Nielsen et al.
D667,126	S	9/2012	Cho et al.		D766,758 S	9/2016	Park et al.
8,275,327	B2	9/2012	Yi et al.		D768,028 S	10/2016	Ling et al.
D669,382	S	10/2012	Alvarez et al.		D777,590 S	1/2017	Nielsen et al.
D669,383	S	10/2012	Cobbett et al.		2005/0237704 A1	10/2005	Ceresoli
D669,384	S	10/2012	Alvarez et al.		2006/0203621 A1	9/2006	Brodmann
8,296,983	B2	10/2012	Padgett et al.		2010/0162472 A1	7/2010	Abraham
D670,583	S	11/2012	Shaanan		2010/0311544 A1	12/2010	Robinette et al.
D671,858	S	12/2012	Cobbett et al.		2013/0273770 A1	10/2013	Pong
D672,667	S	12/2012	Mix		2013/0329324 A1	12/2013	Tziviskos et al.
D677,190	S	3/2013	Cobbett et al.		2014/0107493 A1	4/2014	Yuen et al.
D680,020	S	4/2013	Cobbett et al.		2014/0156196 A1	6/2014	Martinez et al.
8,408,436	B2	4/2013	Berry et al.		2014/0180019 A1	6/2014	Martinez et al.
D682,718	S	5/2013	Azuma		2014/0275854 A1	9/2014	Venkatraman et al.
D684,082	S	6/2013	Alvarez et al.		2014/0316305 A1	10/2014	Venkatraman et al.
D684,497	S	6/2013	Cobbett et al.				
8,568,313	B2	10/2013	Sadhu				
D693,251	S	11/2013	Anderssen et al.				
D693,708	S	11/2013	Brigham				
D700,083	S	2/2014	Brigham				
D707,583	S	6/2014	Kalemos				
8,776,418	B1	7/2014	Martinez et al.				
D715,167	S	10/2014	Busse				
D715,666	S	10/2014	Park et al.				
D718,647	S	12/2014	Roush et al.				
D720,249	S	12/2014	Park et al.				
D720,635	S	1/2015	Park et al.				
8,942,070	B1	1/2015	Shah				
D724,453	S	3/2015	Ogihara et al.				
D725,510	S	3/2015	Henning				
D725,528	S	3/2015	Parmigiani				
D726,062	S	4/2015	Silverstein				
D727,183	S	4/2015	Park et al.				
D727,759	S	4/2015	Martinez et al.				
D729,237	S	5/2015	Fagnot				
D729,453	S	5/2015	Provost et al.				
D729,646	S	5/2015	Phillips et al.				
D729,648	S	5/2015	Phillips et al.				
D729,649	S	5/2015	Phillips et al.				
D730,210	S	5/2015	Song				
D731,482	S	6/2015	Song				
D731,898	S	6/2015	Squires				
D732,022	S	6/2015	Song				
9,064,391	B2	6/2015	Vardi et al.				
D733,706	S	7/2015	Song				
D735,191	S	7/2015	Song				
D738,236	S	9/2015	Song				
D738,237	S	9/2015	Song				
D738,372	S	9/2015	Song				
9,122,250	B2	9/2015	Hoffman et al.				
D740,693	S	10/2015	Carmichael				

FOREIGN PATENT DOCUMENTS

CN 302903439 S 8/2014

OTHER PUBLICATIONS

Suppa G-Shock Strap adapters (available online Dec. 13, 2013)
Retrieved from the internet Feb. 7, 2017, retrieved from the internet
URL: <http://forums.watchuseek.com/f17/suppa-g-shock-strap-adapters-954103.html>.*

Suunto Lug Adapter (available online) Retrieved from the internet
Feb. 7, 2017, retrieved from the internet URL: http://www.imgrum.net/media/805121195814698214_1428232830.*

US Office Action, dated Aug. 4, 2014, issued in U.S. Appl. No. 29/468,506.

US Notice of Allowance, dated Oct. 24, 2014, issued in U.S. Appl. No. 29/468,506.

US Notice of Allowance, dated Aug. 15, 2014, issued in U.S. Appl. No. 29/468,517.

US Office Action, dated Jun. 5, 2015, issued in U.S. Appl. No. 29/468,522.

US Notice of Allowance, dated Oct. 9, 2015, issued in U.S. Appl. No. 29/468,522.

US Notice of Allowance, dated Oct. 9, 2015 issued in U.S. Appl. No. 29/497,740.

US Office Action [Ex Parte Quayle], dated May 10, 2016 issued in U.S. Appl. No. 29/549,341.

US Notice of Allowance [Notice of Allowability], dated Jul. 22, 2016 issued in U.S. Appl. No. 29/549,341.

US Notice of Allowance, dated Jan. 7, 2015, issued in U.S. Appl. No. 29/498,195.

US Notice of Allowance [Corrected Notice of Allowability for a Design Application], dated Feb. 10, 2015, issued in U.S. Appl. No. 29/498,195.

US Notice of Allowance, dated Jan. 7, 2015, issued in U.S. Appl. No. 29/499,065.

US Notice of Allowance [Corrected Notice of Allowability for a Design Application], dated Feb. 10, 2015, issued in U.S. Appl. No. 29/499,065.

US Office Action, dated Sep. 25, 2015, issued in U.S. Appl. No. 29/500,837.

US Notice of Allowance, dated Mar. 28, 2016, issued in U.S. Appl. No. 29/500,837.

US Notice of Allowance dated May 11, 2016, issued in U.S. Appl. No. 29/500,837.

US Notice of Allowance, dated Feb. 4, 2016, issued in U.S. Appl. No. 29/520,607.

US Notice of Allowance, dated Mar. 4, 2016, issued in U.S. Appl. No. 29/521,264.

US Notice of Allowance, dated Apr. 14, 2016, issued in U.S. Appl. No. 29/524,025.

US Notice of Allowance, dated Aug. 3, 2016, issued in U.S. Appl. No. 29/524,028.

US Notice of Allowance, dated Oct. 11, 2016, issued in U.S. Appl. No. 29/537,616.

US Notice of Allowance, dated Apr. 14, 2016, issued in U.S. Appl. No. 29/541,358.

US Notice of Allowance, dated Apr. 13, 2016, issued in U.S. Appl. No. 29/541,364.

US Notice of Allowance [Corrected Notice of Allowability], dated May 31, 2016, issued in U.S. Appl. No. 29/541,364.

Fitbit Flex Wireless Activity+ Sleep Wristband, Amazon.com, first reviewed on Apr. 16, 2013, only. Site visited Jul. 22, 2014. Internet URL:<"http://www.amazon.com/Fitbit-Wireless-Activity-Sleep-Wristband/dp/B00BGO0Q90/ref=cm_cr_pr_product_top">, 1 page.

* cited by examiner

Primary Examiner — Cathron Brooks

Assistant Examiner — Richard Kearney

(74) *Attorney, Agent, or Firm* — Weaver Austin Villeneuve & Sampson LLP

(57)

CLAIM

We claim the ornamental design for an insert for a wristband strap, as shown and described.

DESCRIPTION

FIG. 1 is a top view of an insert for a wristband strap.

FIG. 2 is a rear view of the insert for a wristband strap of FIG. 1.

FIG. 3 is a bottom view of the insert for a wristband strap of FIG. 1.

FIG. 4 is a front view of the insert for a wristband strap of FIG. 1.

FIG. 5 is a left side view of the insert for a wristband strap of FIG. 1.

FIG. 6 is a right side view of the insert for a wristband strap of FIG. 1.

FIG. 7 is an isometric view of the insert for a wristband strap of FIG. 1.

FIG. 8 is a reverse isometric view of the insert for a wristband strap of FIG. 1.

FIG. 9 is a side view of the insert for a wristband strap of FIG. 1 shown in the context of where it would be located when part of a first strap for a wristband.

FIG. 10 is a side view of the insert for a wristband strap of FIG. 1 shown in the context of where it would be located when part of a second strap for the wristband.

FIG. 11 is an isometric view of the insert for a wristband strap of FIG. 1 shown in the context of where it would be located when part of the second strap for the wristband; and,

FIG. 12 is an isometric view of the insert for a wristband strap of FIG. 1 shown in the context of where it would be located when part of the first strap for the wristband.

Stipple shading has been provided to illustrate surface contours and does not indicate texture. The broken line shown in FIGS. 1-8 illustrate portions of the insert for a wristband strap that form no part of the claimed design. The broken lines shown in FIGS. 9-12 that show a first and second strap of a wristband illustrate environmental structure that forms no part of the claimed design.

1 Claim, 2 Drawing Sheets

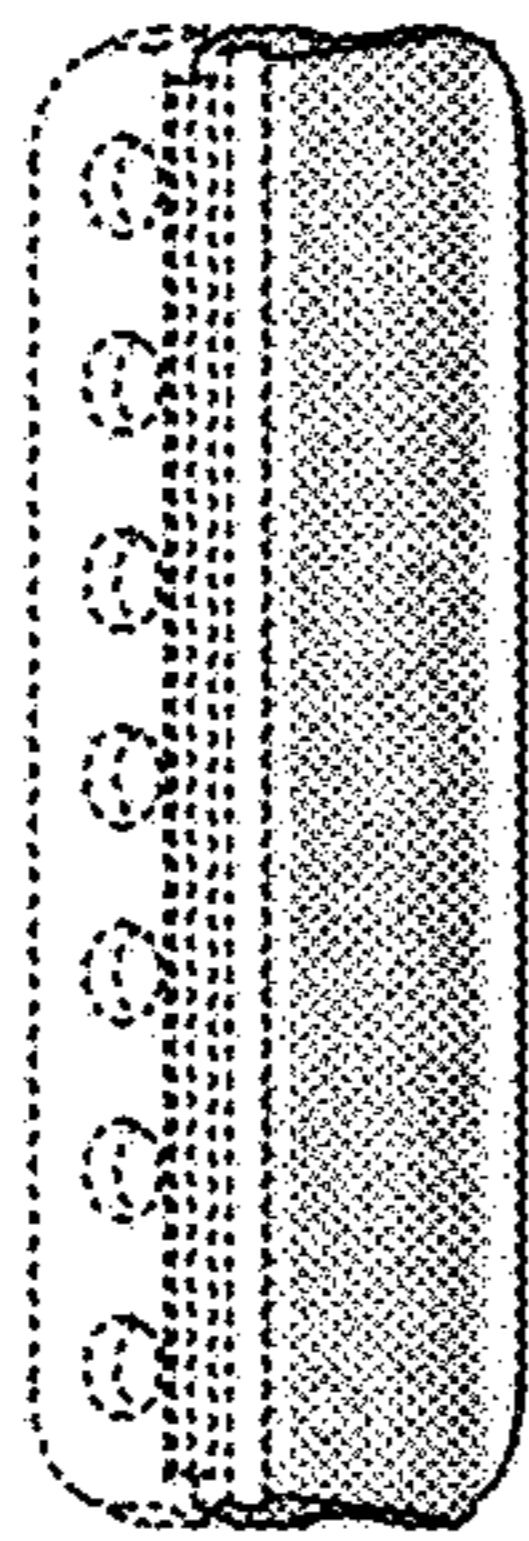


Figure 1

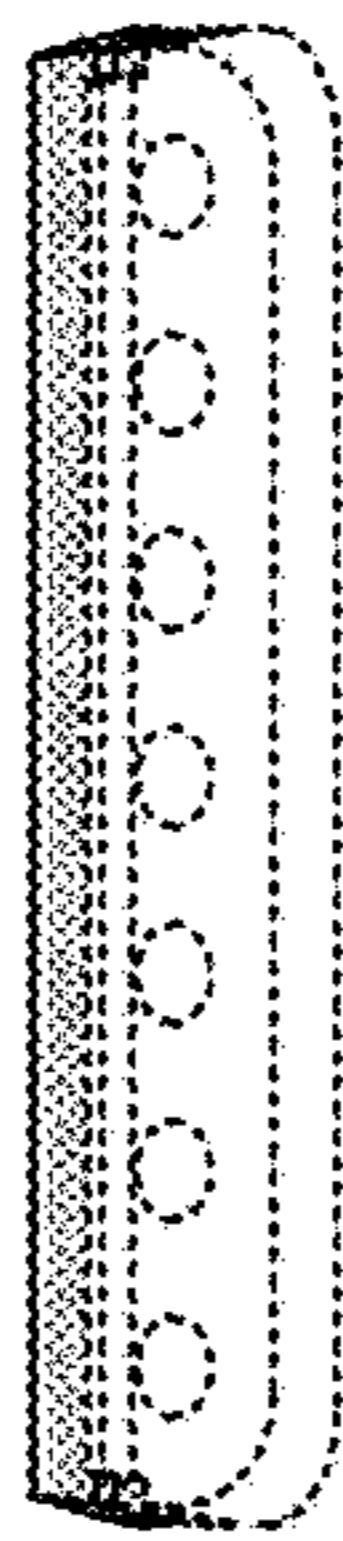


Figure 2

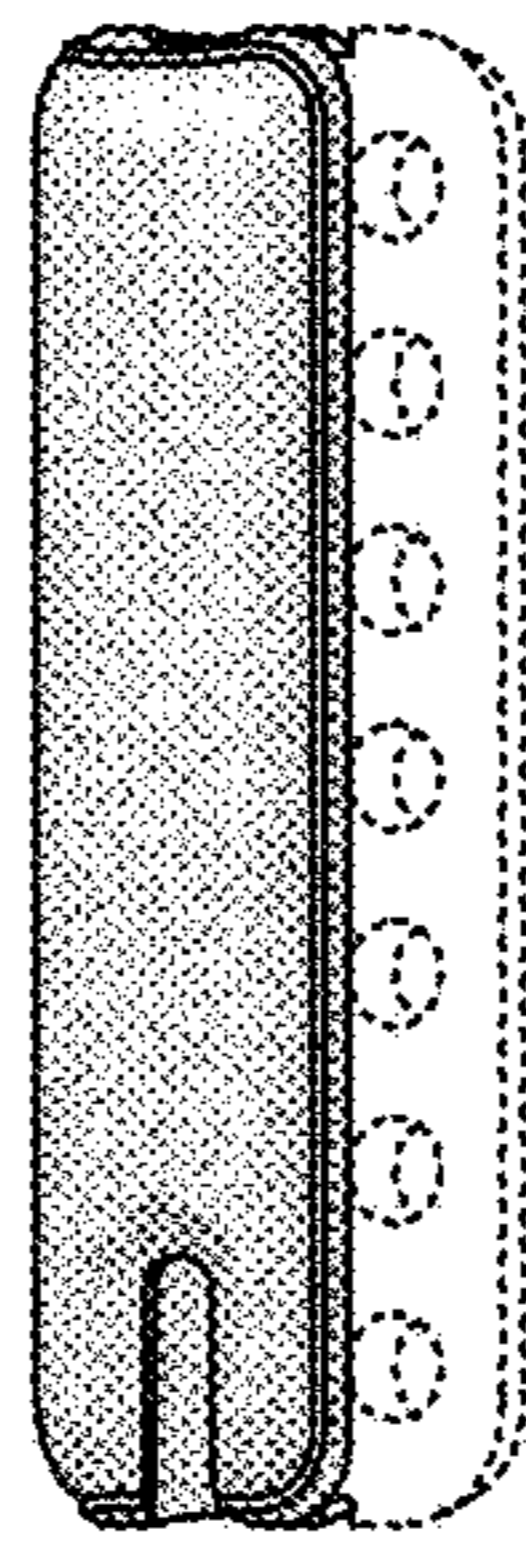


Figure 3

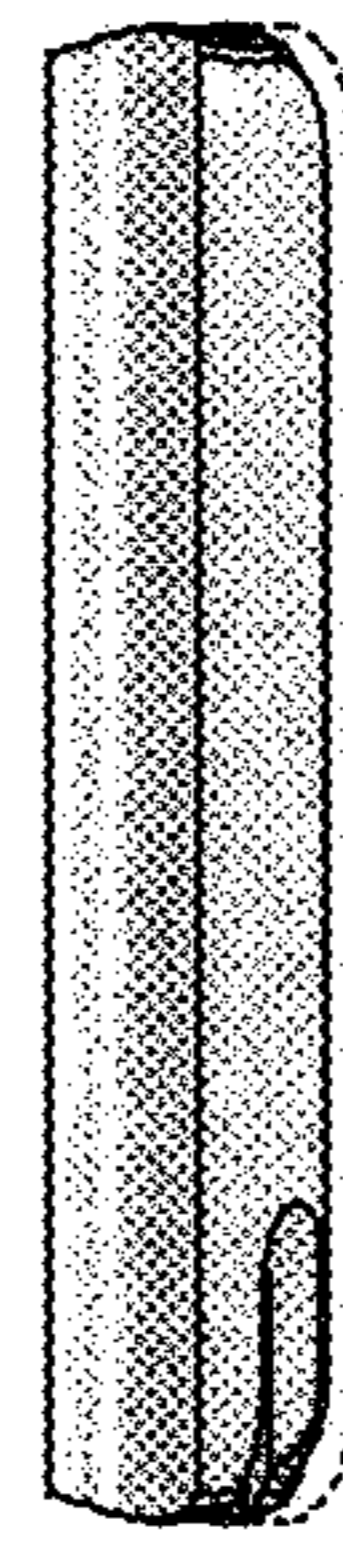


Figure 4

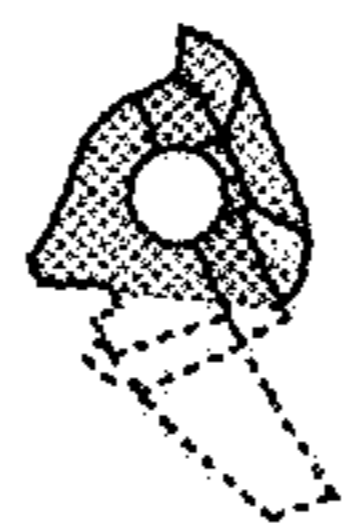


Figure 5

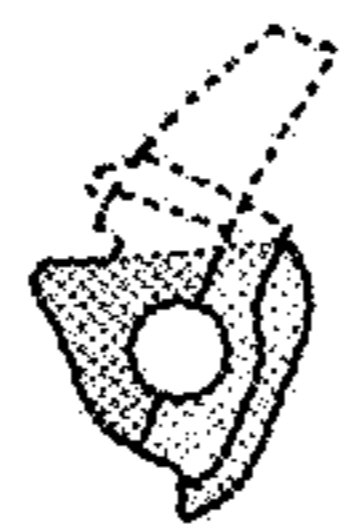


Figure 6

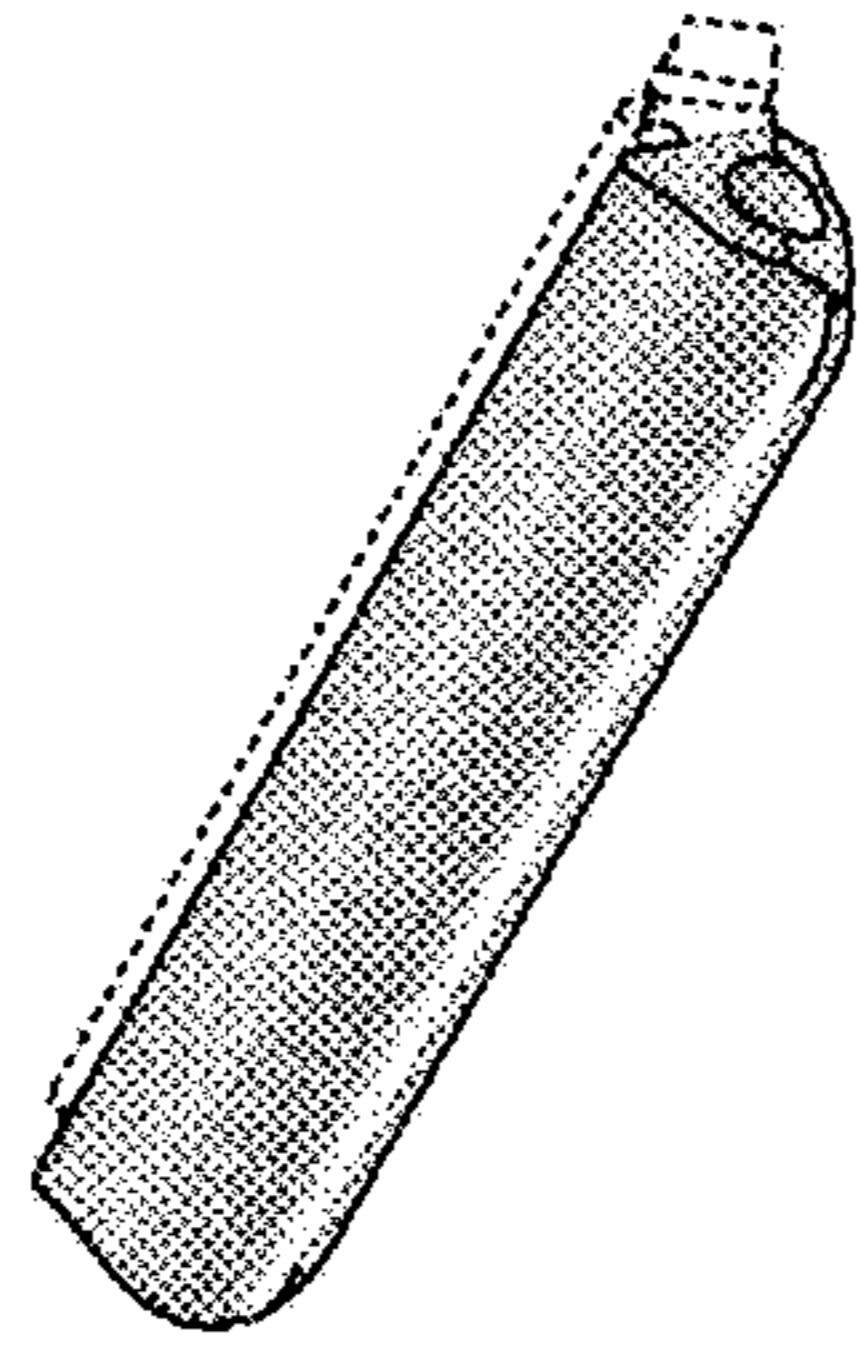


Figure 7

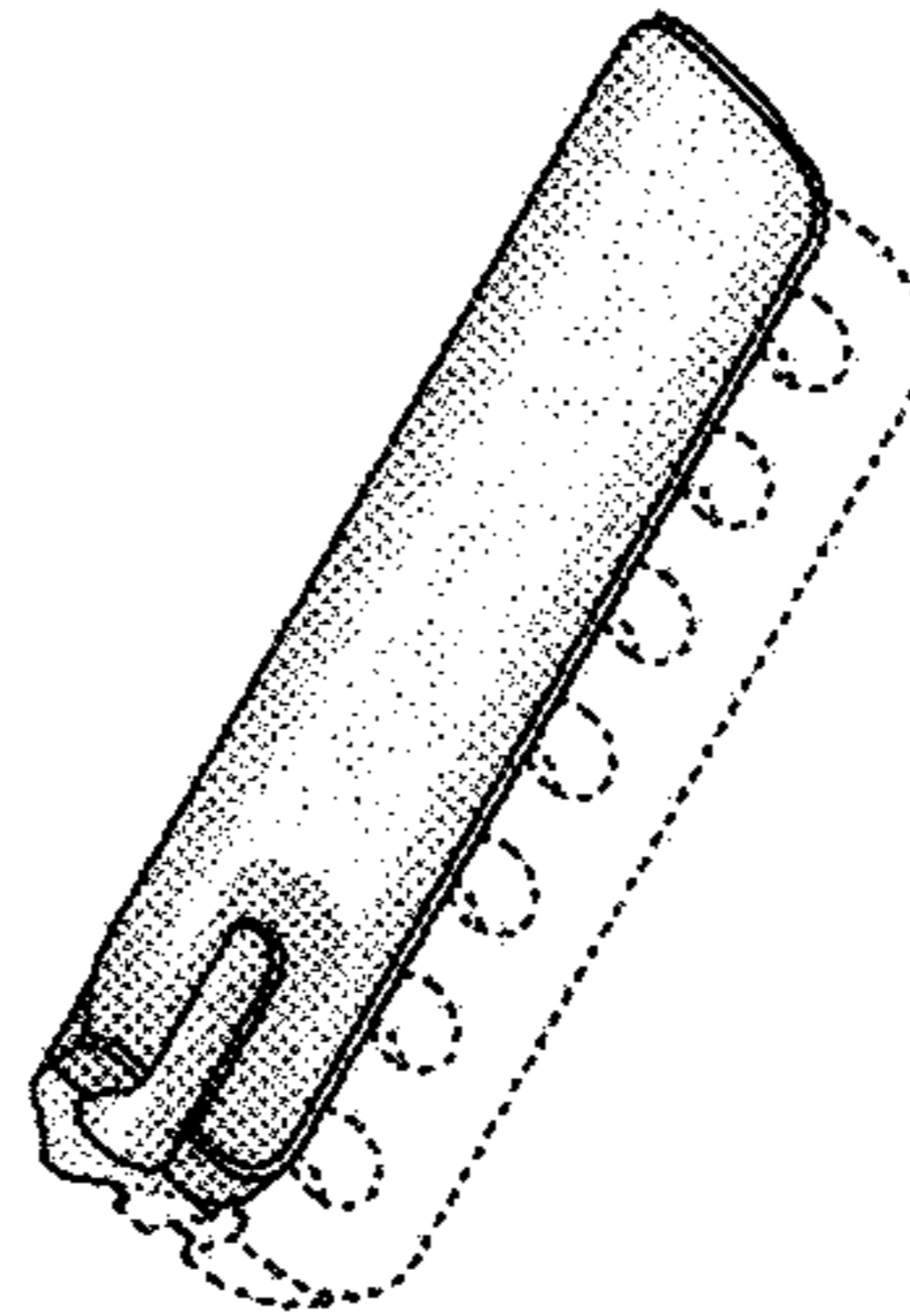


Figure 8

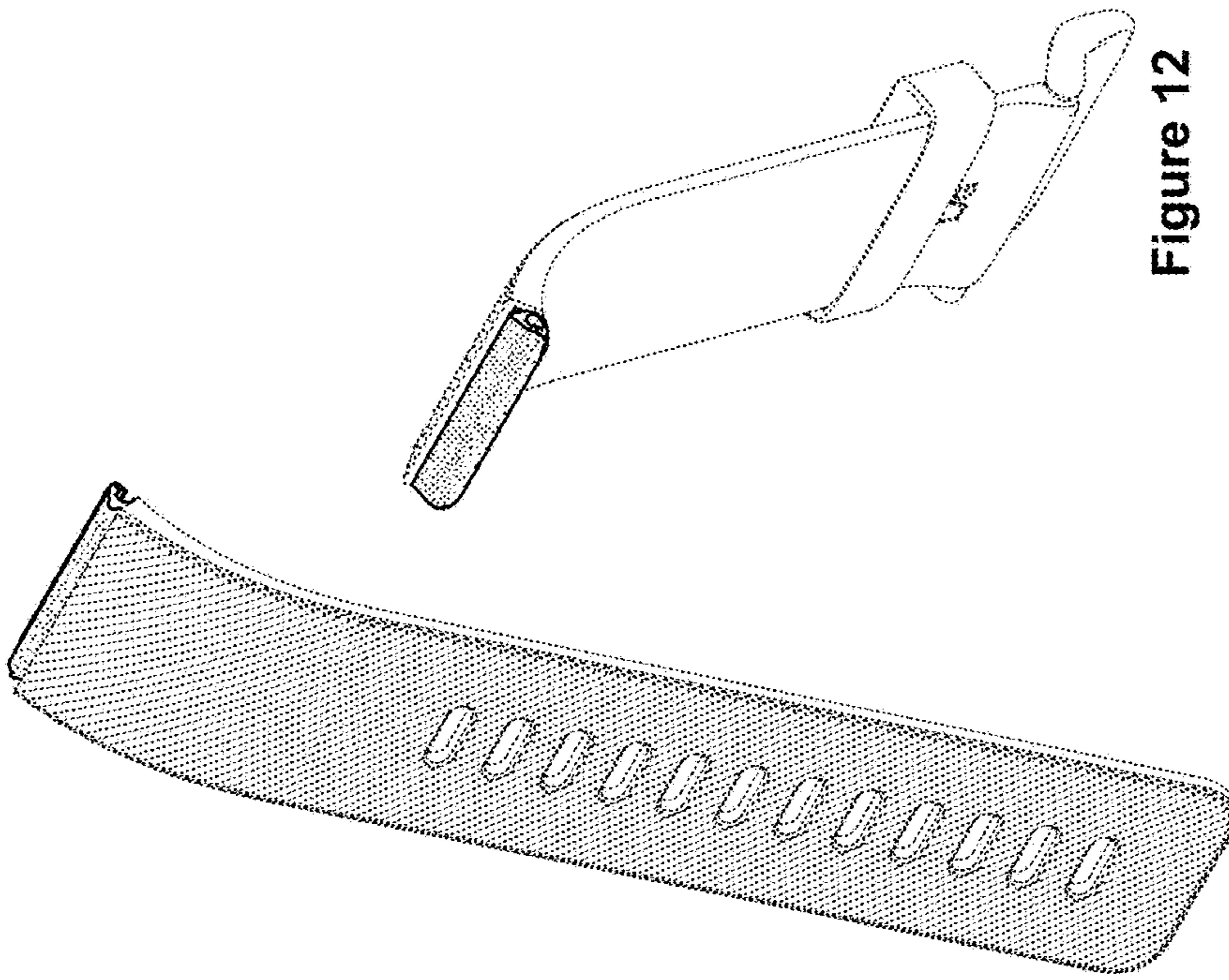


Figure 11

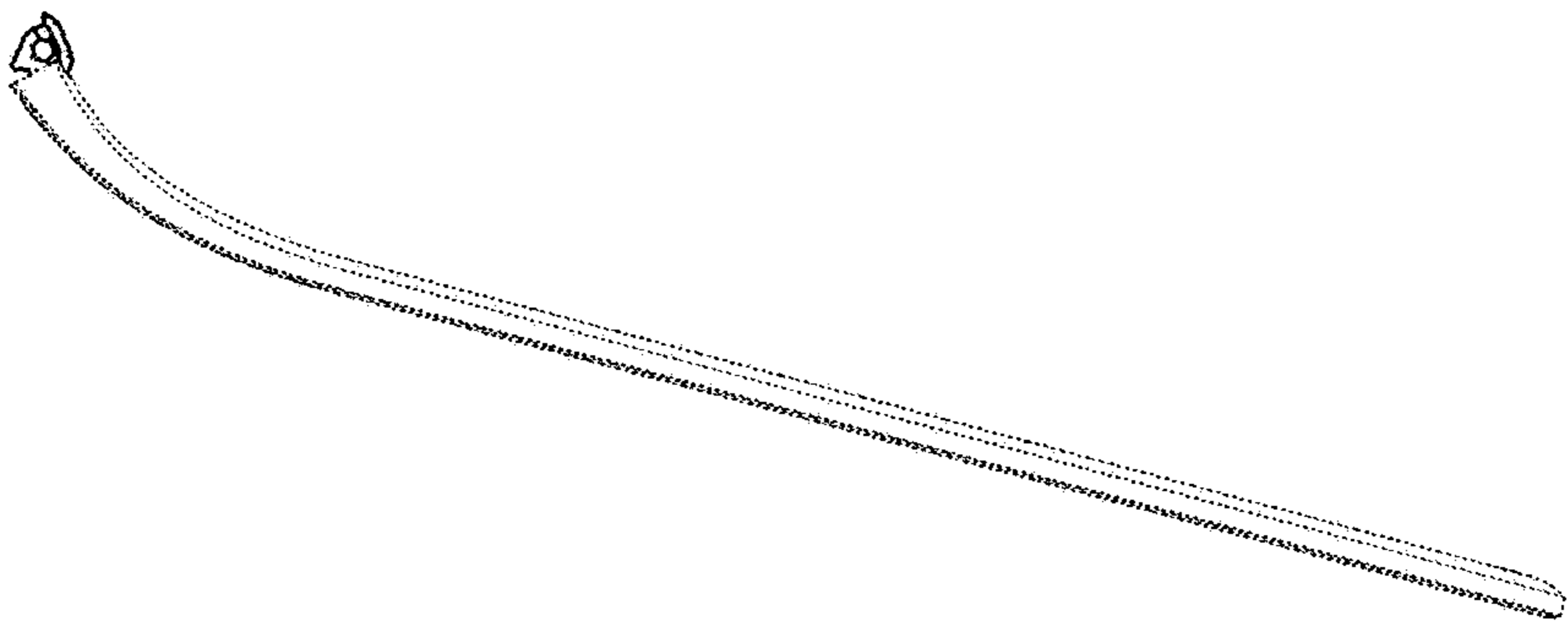


Figure 10

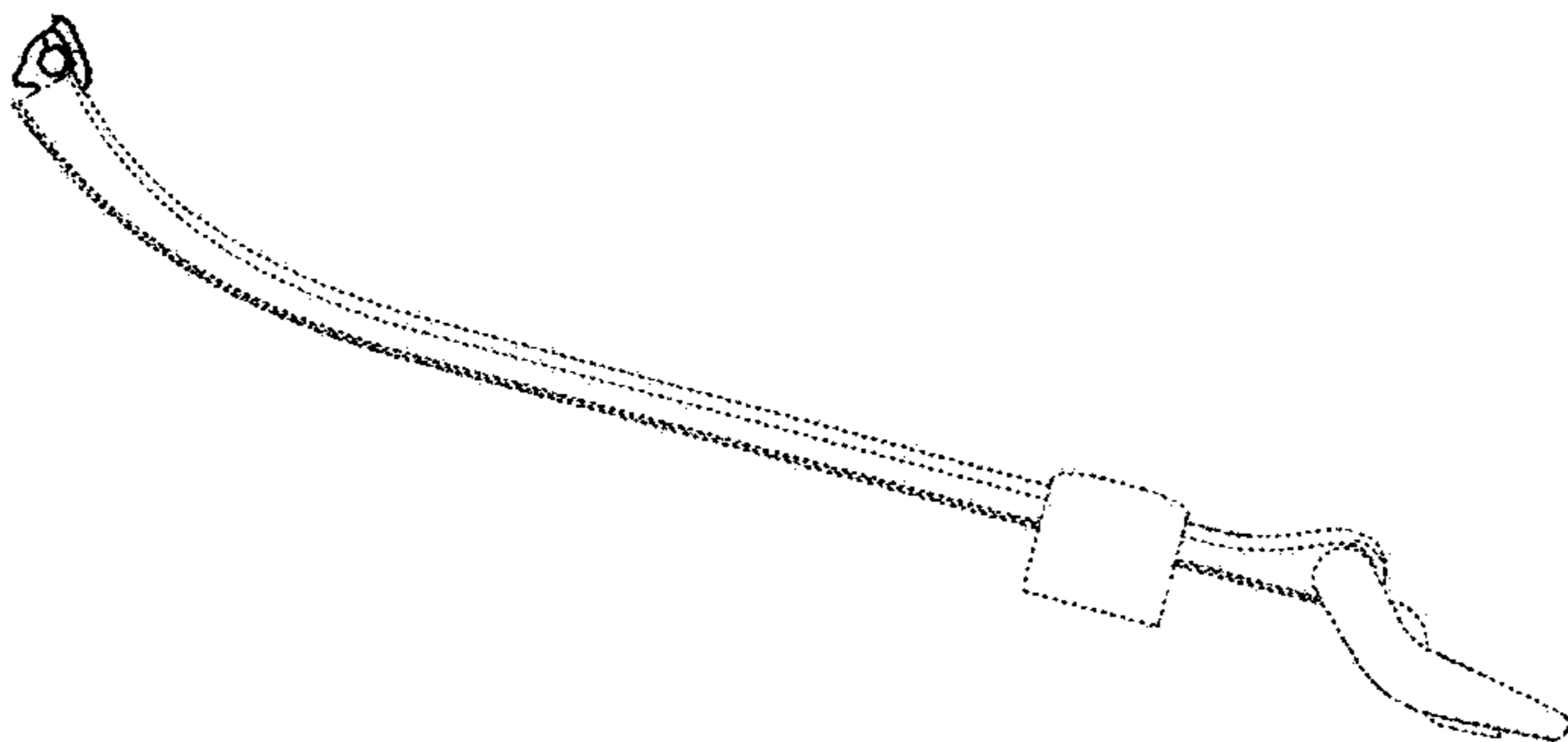


Figure 9

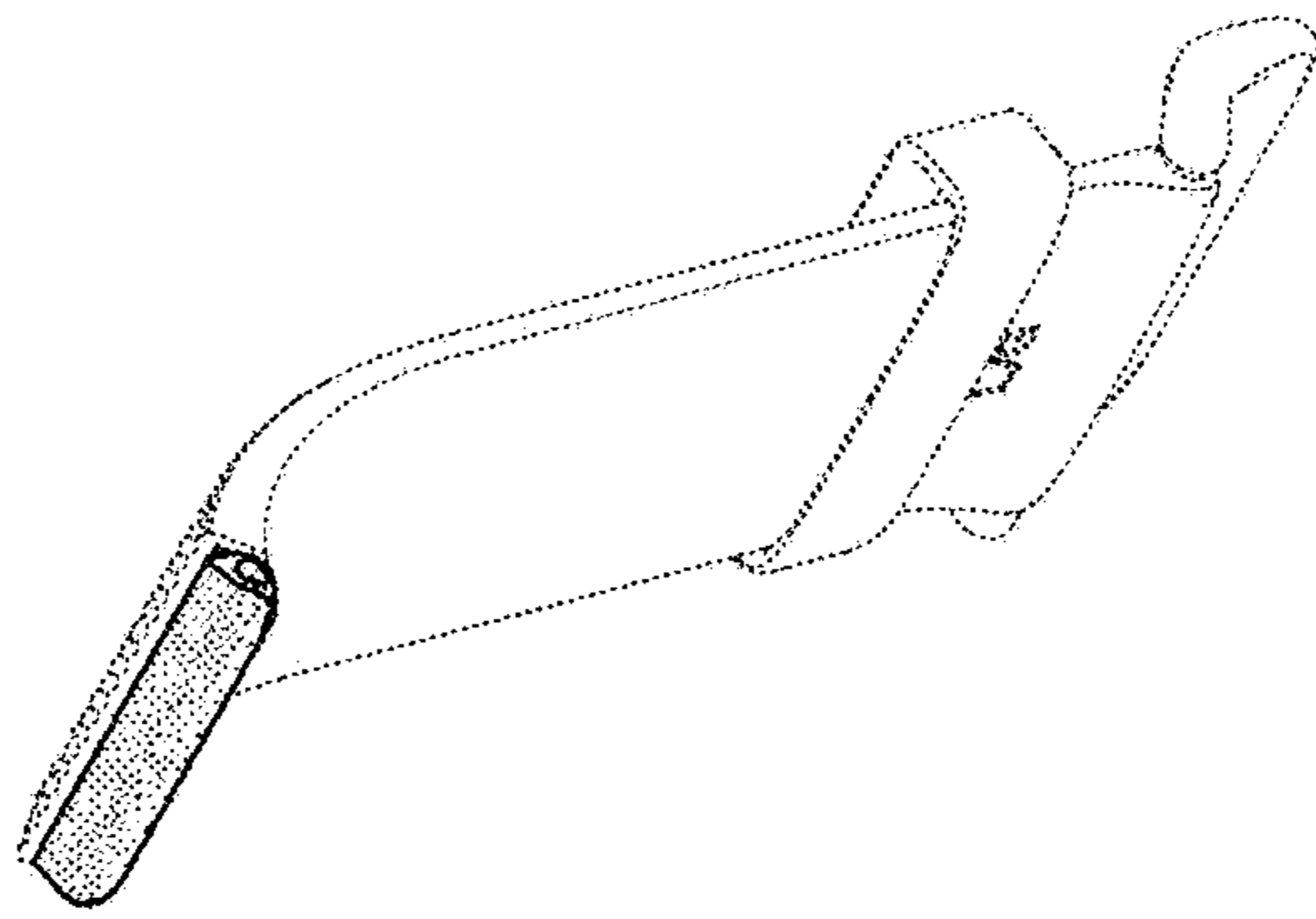


Figure 12