



US00D798185S

(12) **United States Design Patent**
Mai

(10) **Patent No.:** **US D798,185 S**

(45) **Date of Patent:** **** Sep. 26, 2017**

(54) **RING**
(71) Applicant: **Yongbo Mai**, FoShan (CN)
(72) Inventor: **Yongbo Mai**, FoShan (CN)
(**) Term: **15 Years**

D423,393 S * 4/2000 Morris D11/26
D637,511 S * 5/2011 Papadimitriou D11/35
D657,705 S * 4/2012 Guerrero, II D11/26
D689,789 S * 9/2013 Hardy D11/26
8,567,065 B2 * 10/2013 Mardkha A44C 9/00
29/401.1
2007/0151293 A1 * 7/2007 Essich A44C 17/02
63/3.1

(21) Appl. No.: **29/546,381**

* cited by examiner

(22) Filed: **Nov. 21, 2015**

Primary Examiner — Ralf Seifert
(74) *Attorney, Agent, or Firm* — WPAT, P.C., Intellectual
Property Attorneys; Anthony King

(30) **Foreign Application Priority Data**

Jul. 10, 2015 (CN) 2015 3 0247396

(51) **LOC (10) Cl.** **11-01**

(52) **U.S. Cl.**
USPC **D11/34**

(58) **Field of Classification Search**
USPC D11/1–5, 26–39, 91–92; 63/15,
63/15.1–15.7, 32
CPC A44C 5/00; A44C 9/00; A44C 17/02
See application file for complete search history.

(57) **CLAIM**

The ornamental design for a ring set, as shown and described.

DESCRIPTION

FIG. 1 is a front view of the ring;
FIG. 2 is a right view of the ring of FIG. 1, the left side view being a mirror image thereof;
FIG. 3 is a perspective view of the ring of FIG. 1;
FIG. 4 is a top view of the ring of FIG. 1,
FIG. 5 is a bottom view of the ring of FIG. 1; and,
FIG. 6 is a rear view of the ring of FIG. 1.
The ring is typically used as a piece of jewelry, and is placed on the fingers of individuals primarily for decorative purposes. The ring is comprised of a hollow circular body with a jewel centerpiece set on the ring.

(56) **References Cited**

U.S. PATENT DOCUMENTS

D203,551 S * 1/1966 Tranfield 63/15
D291,423 S * 8/1987 Lajoie D11/26
D419,102 S * 1/2000 Mestrum D11/26
D421,405 S * 3/2000 Mestrum D11/26

1 Claim, 6 Drawing Sheets



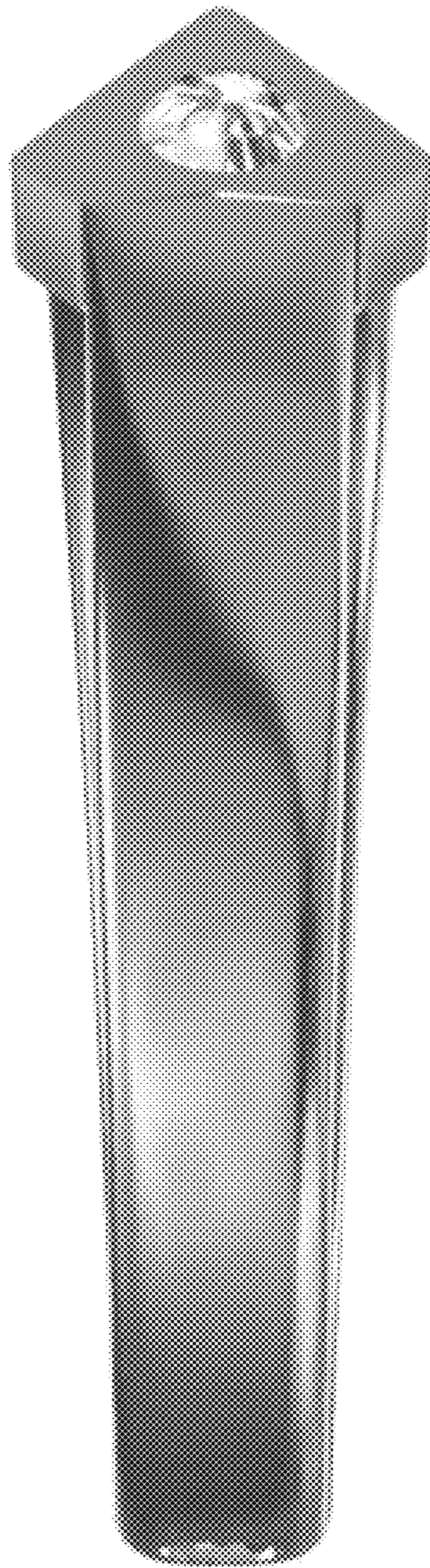


FIG. 1



FIG. 2



FIG. 3

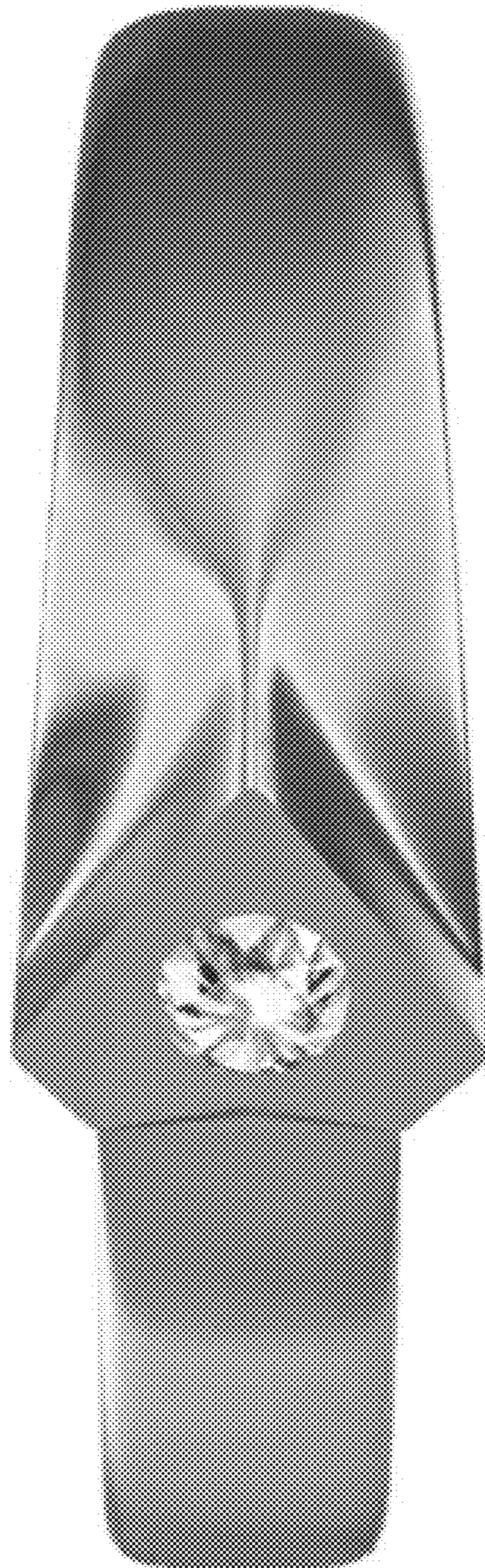


FIG. 4

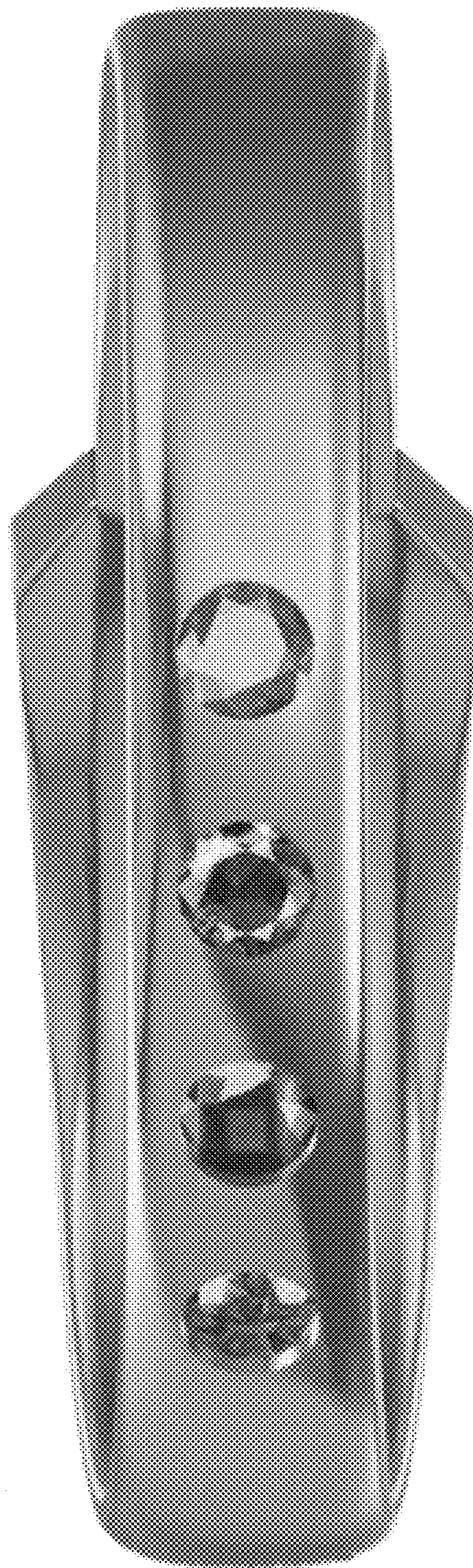


FIG. 5

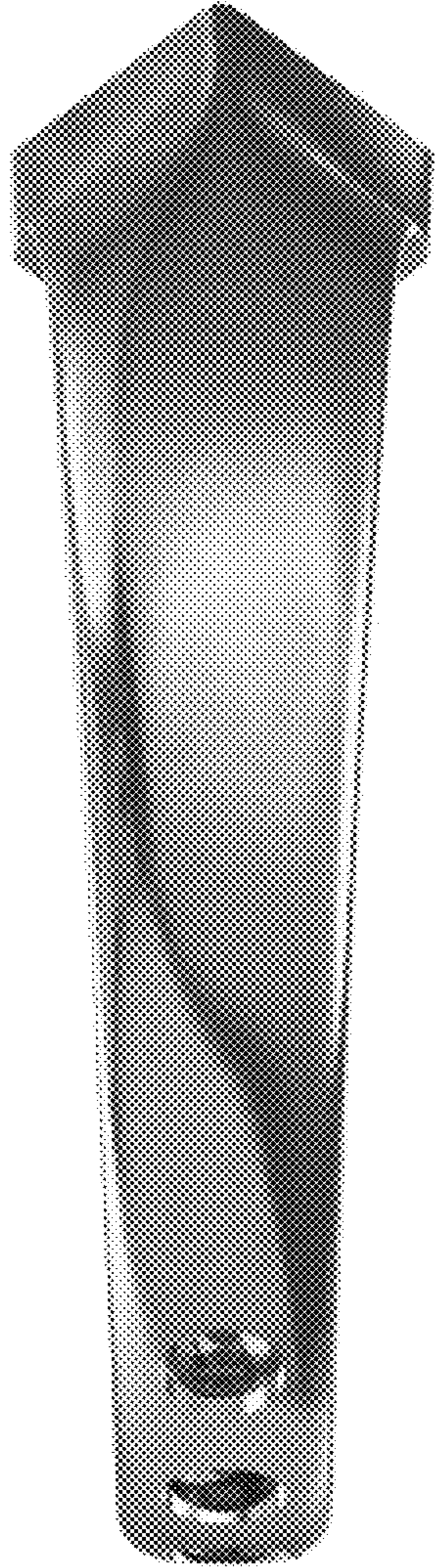


FIG. 6