



US00D798177S

(12) **United States Design Patent** (10) **Patent No.:** **US D798,177 S**
Siminoff et al. (45) **Date of Patent:** **** Sep. 26, 2017**

(54) **AUDIO/VIDEO DOORBELL**

- (71) Applicant: **BOT Home Automation, Inc.**, Santa Monica, CA (US)
- (72) Inventors: **James Siminoff**, Pacific Palisades, CA (US); **John Modestine**, Los Angeles, CA (US); **Christopher Loew**, Palo Alto, CA (US)
- (73) Assignee: **Ring Inc.**, Santa Monica, CA (US)
- (**) Term: **15 Years**

(21) Appl. No.: **29/577,668**

(22) Filed: **Sep. 14, 2016**

(51) **LOC (10) Cl.** **10-05**

(52) **U.S. Cl.**
USPC **D10/118.2**

(58) **Field of Classification Search**
USPC D10/116.1, 118, 118.2, 121, 122, 123, D10/124, 126; D16/202, 203, 208, 209, D16/215
CPC ... G08B 3/00; G08B 3/10; G08B 7/00; G08B 7/06
See application file for complete search history.

(56) **References Cited**

U.S. PATENT DOCUMENTS

D450,043 S *	11/2001	Mosebrook	D13/164
D531,160 S *	10/2006	Yukikado	D14/159
D562,306 S *	2/2008	Jeong	D14/159
D616,321 S *	5/2010	Skaf	D10/104.1
D706,729 S *	6/2014	Joshi	D10/106.8
D707,186 S *	6/2014	Sloan	D10/106.8
D707,188 S *	6/2014	Joshi	D10/106.8
D746,711 S *	1/2016	Li	D10/106.1
D765,530 S *	9/2016	Scalisi	D10/118.2

OTHER PUBLICATIONS

U.S. Appl. No. 29/558,148, filed Mar. 15, 2016 (pending unpublished U.S. Patent Application).
Website Printout from <https://ring.com/elite> (first published Sep. 2016).

* cited by examiner

Primary Examiner — George D Kirschbaum
Assistant Examiner — Joseph Kukella

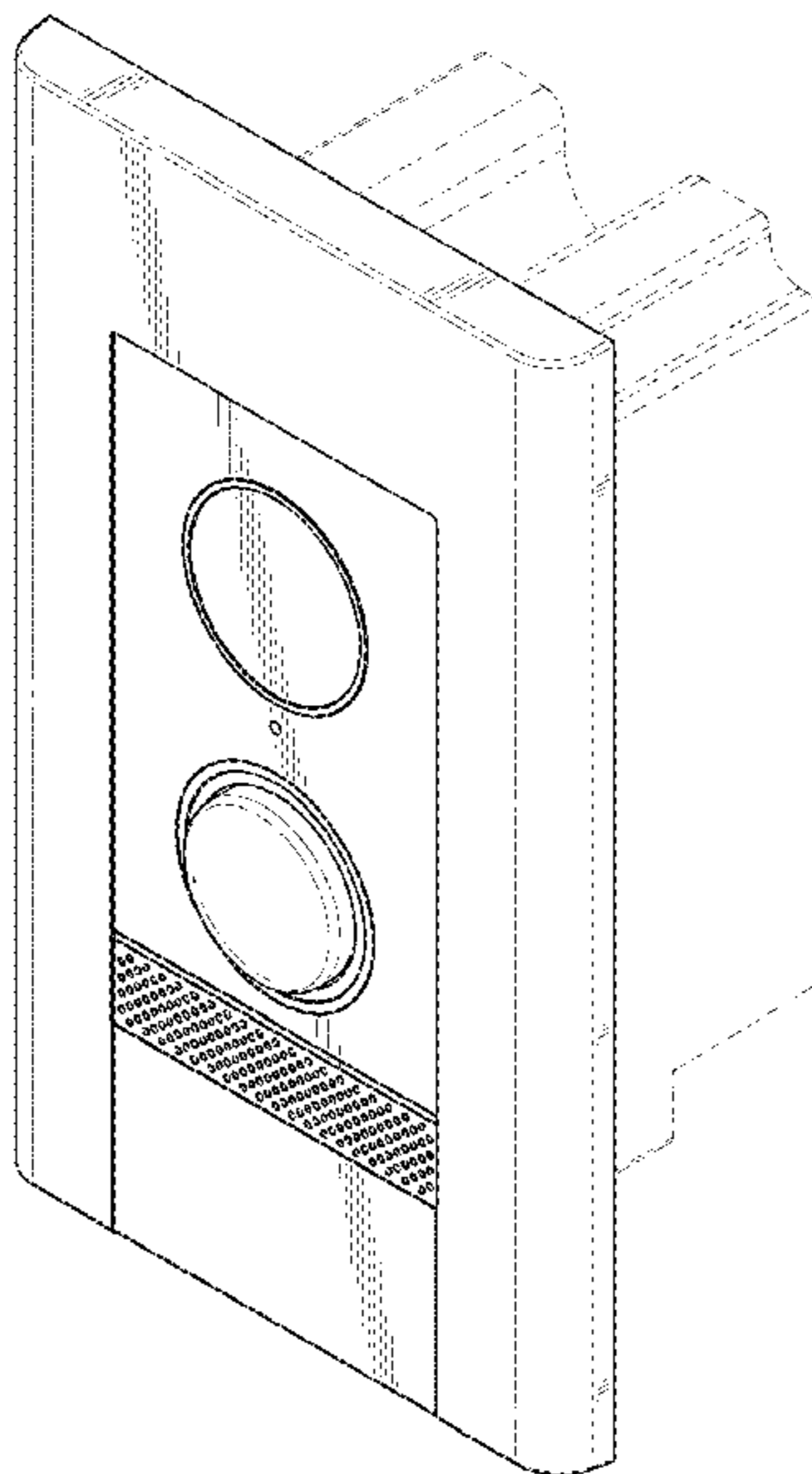
(57) **CLAIM**

The ornamental design for an audio/visual doorbell, as shown and described.

DESCRIPTION

FIG. 1 is a front perspective view of the A/V doorbell according to the present design;
FIG. 2 is a front elevational view of the A/V doorbell of FIG. 1;
FIG. 3 is a rear elevational view of the A/V doorbell of FIG. 1;
FIG. 4 is a right-side elevational view of the A/V doorbell of FIG. 1;
FIG. 5 is a left-side elevational view of the A/V doorbell of FIG. 1;
FIG. 6 is a top plan view of the A/V doorbell of FIG. 1;
FIG. 7 is a bottom plan view of the A/V doorbell of FIG. 1; and,
FIG. 8 is a front perspective view of the A/V doorbell of FIG. 1 engaged with a junction box, which is shown only to illustrate an example environment for the A/V doorbell.
In the drawings, the broken lines depict environmental subject matter only and form no part of the claimed design.

1 Claim, 7 Drawing Sheets



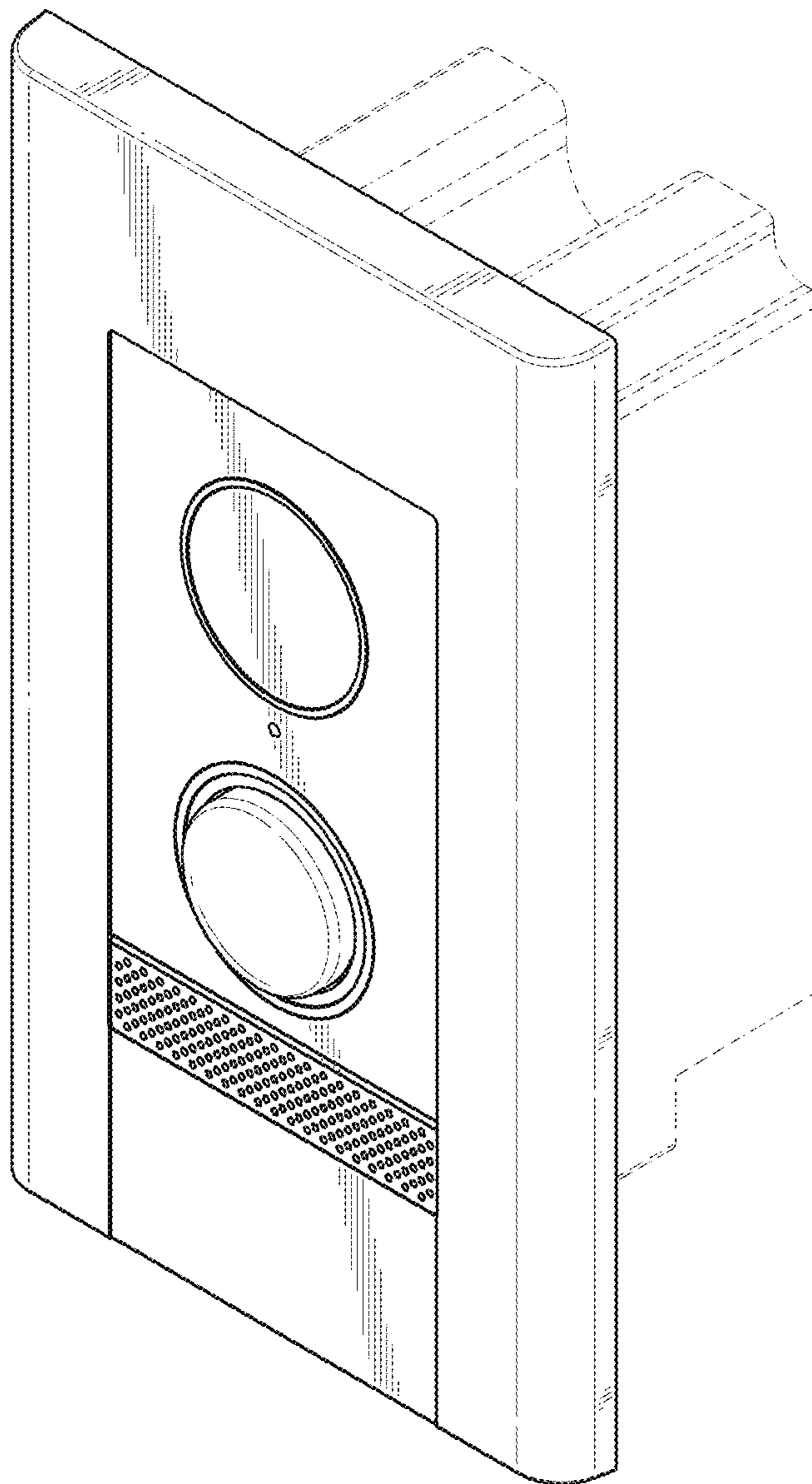


FIG. 1

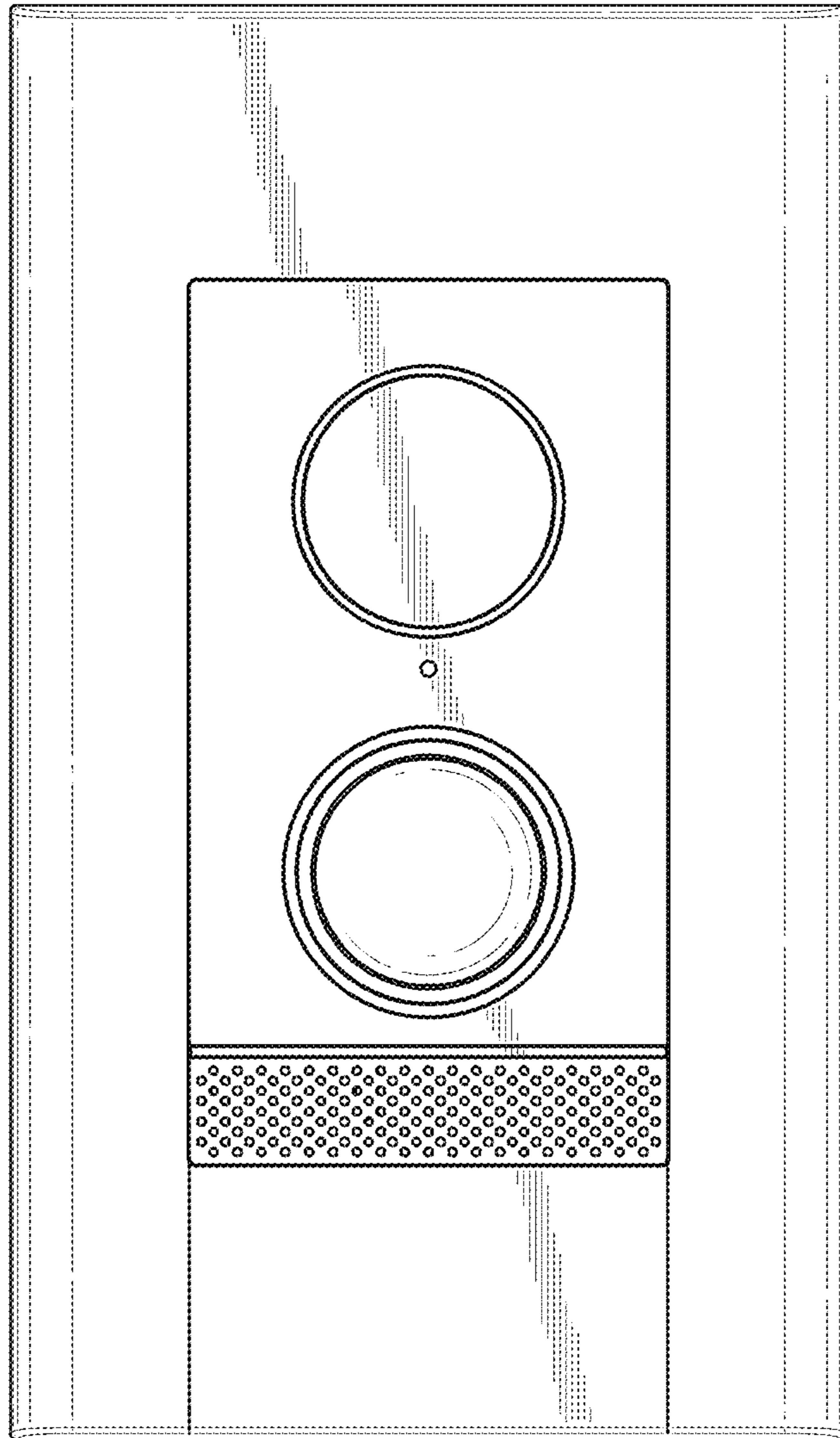


FIG. 2

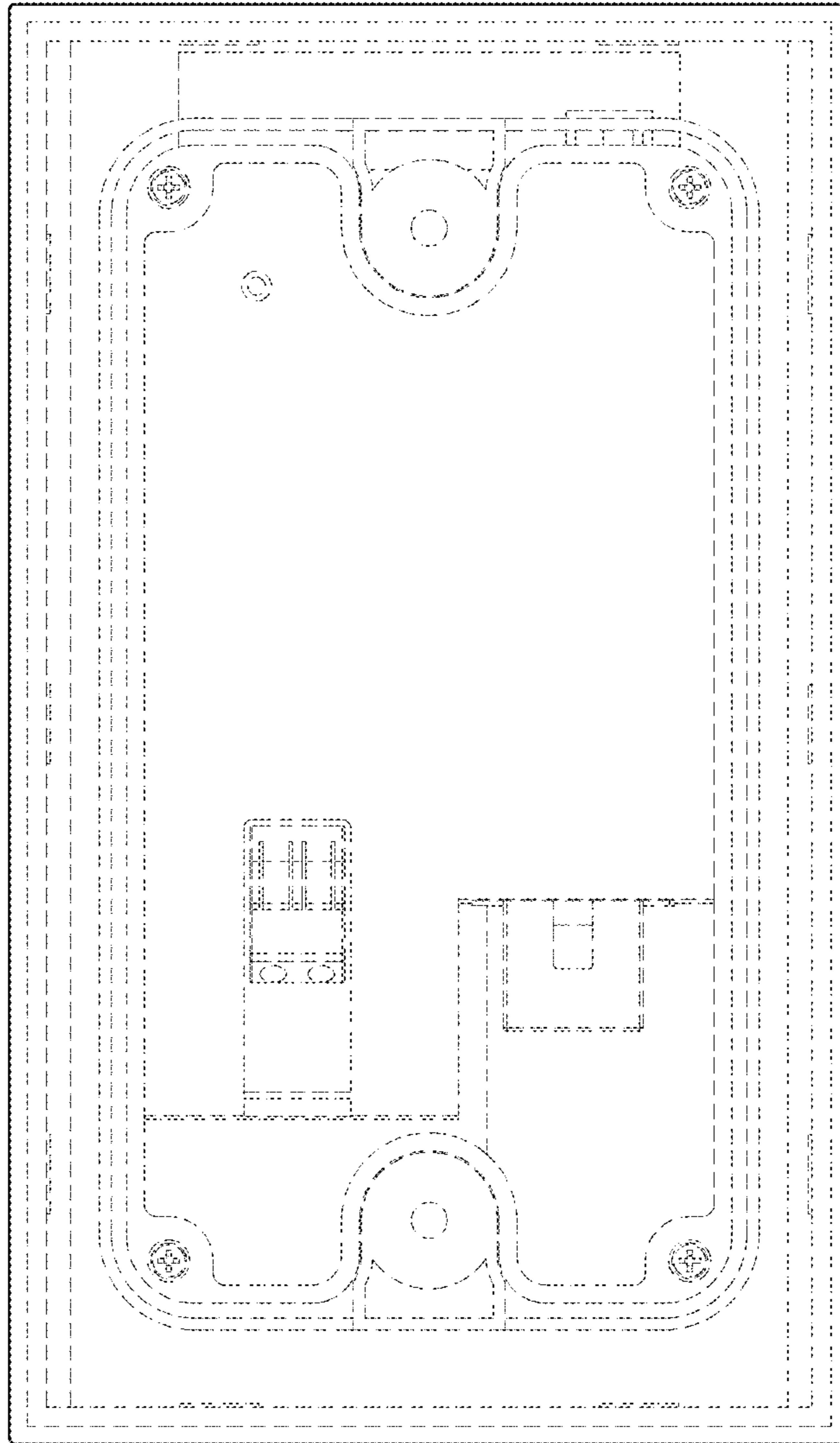


FIG. 3

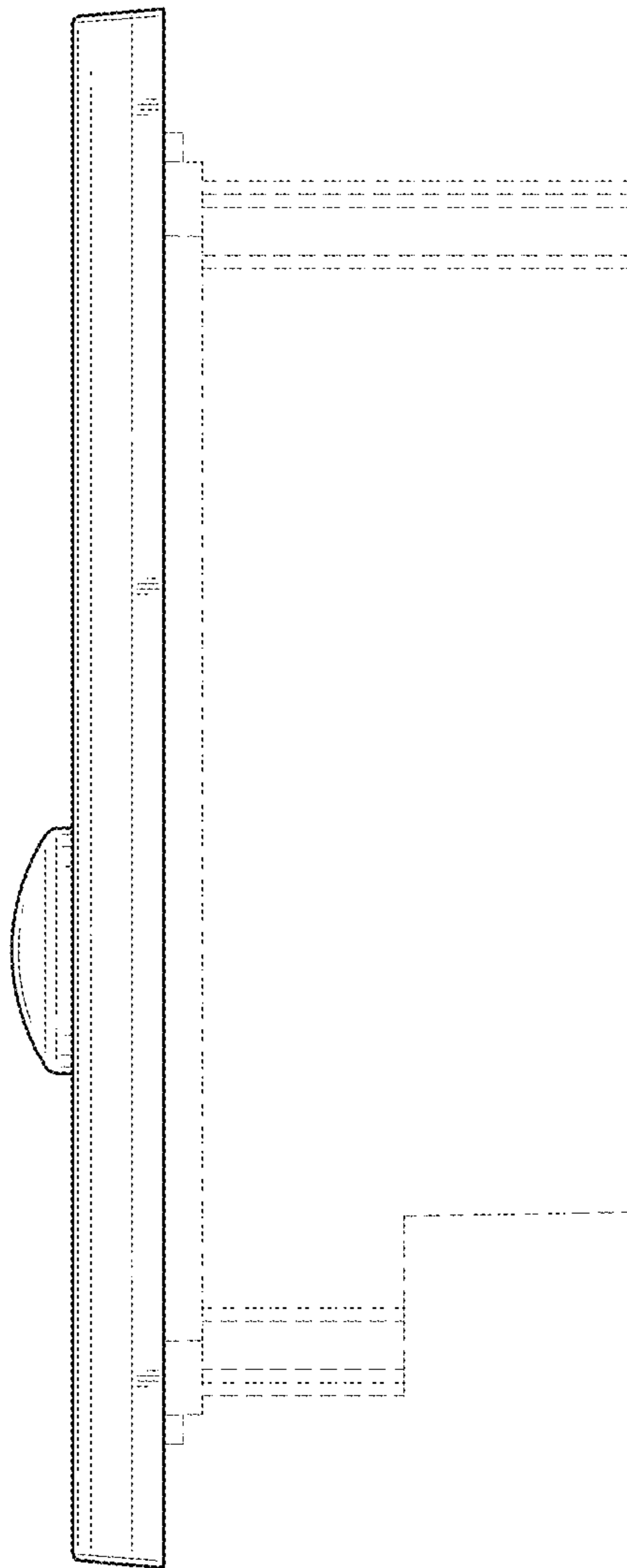


FIG. 4

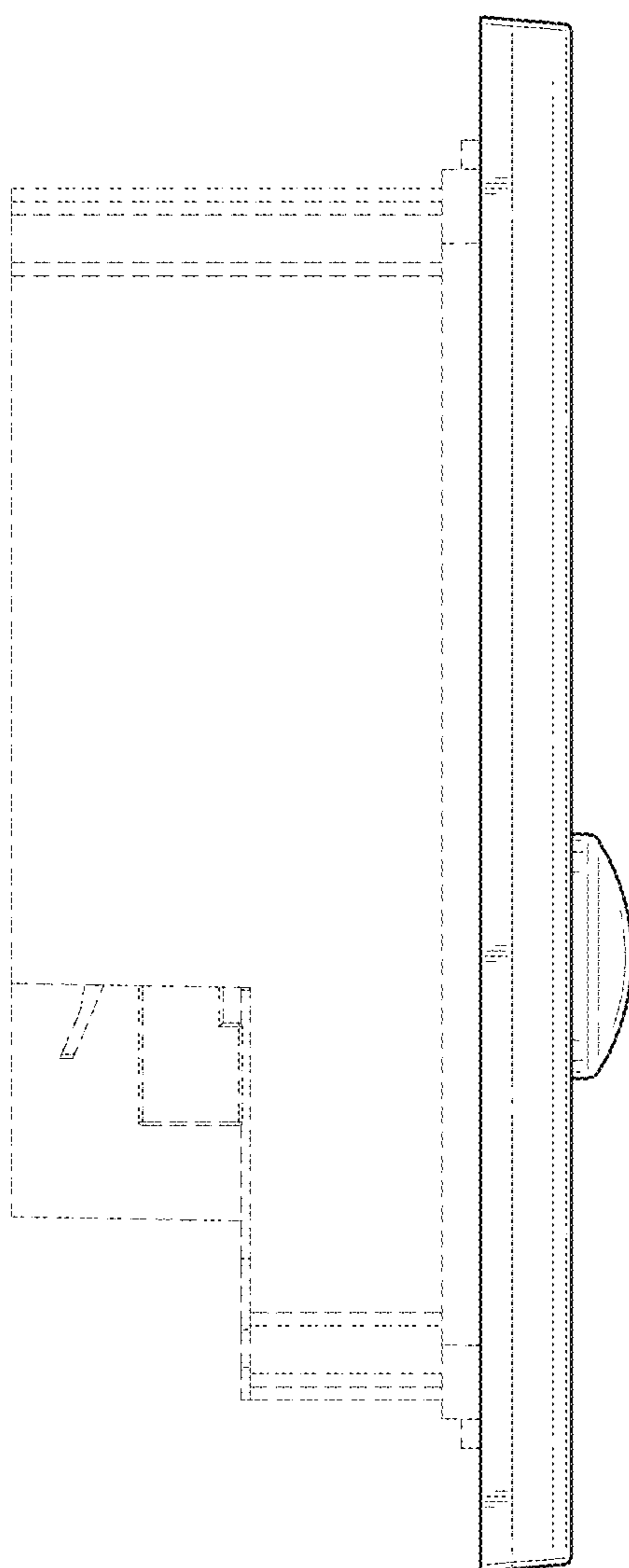


FIG. 5

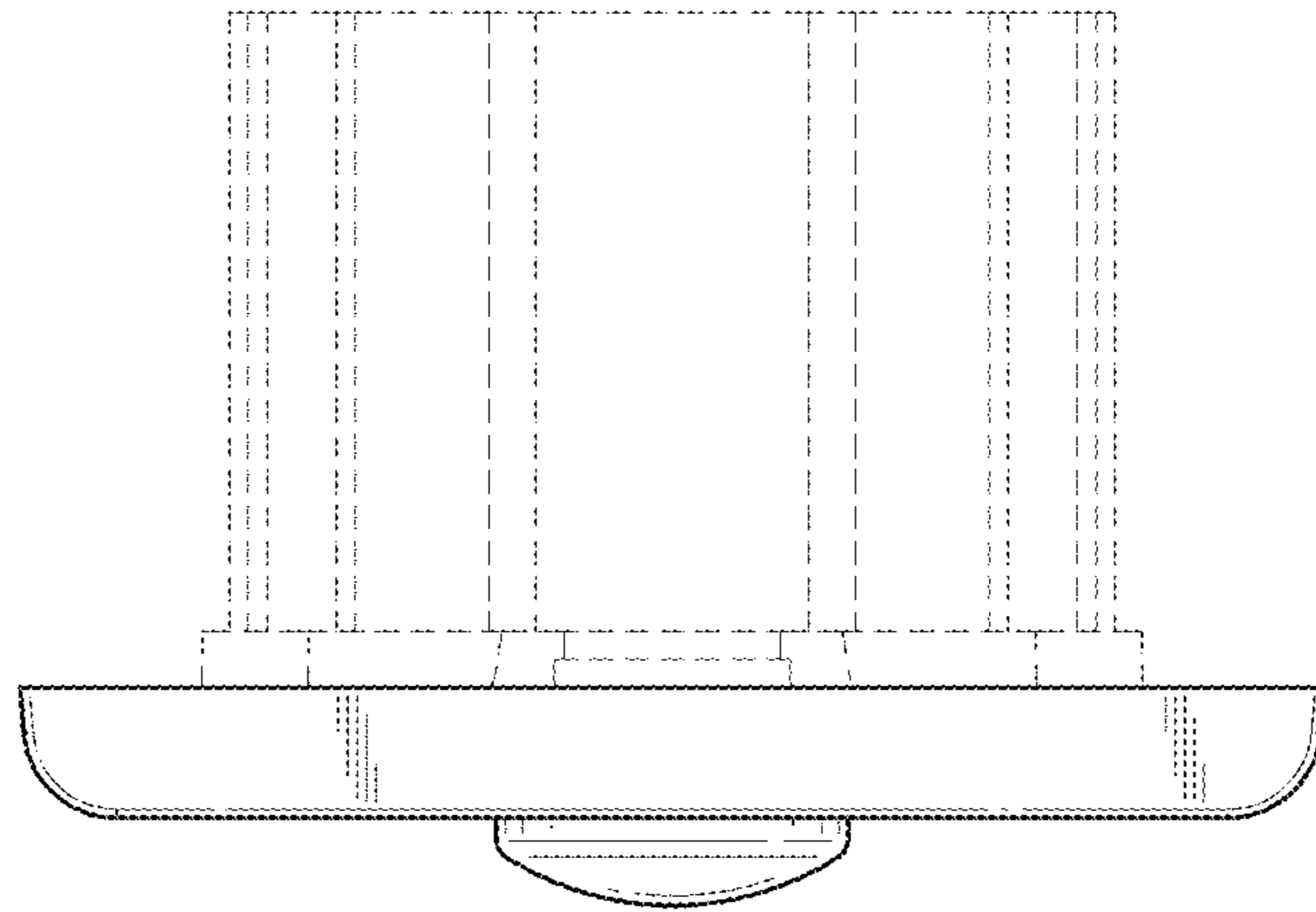


FIG. 6

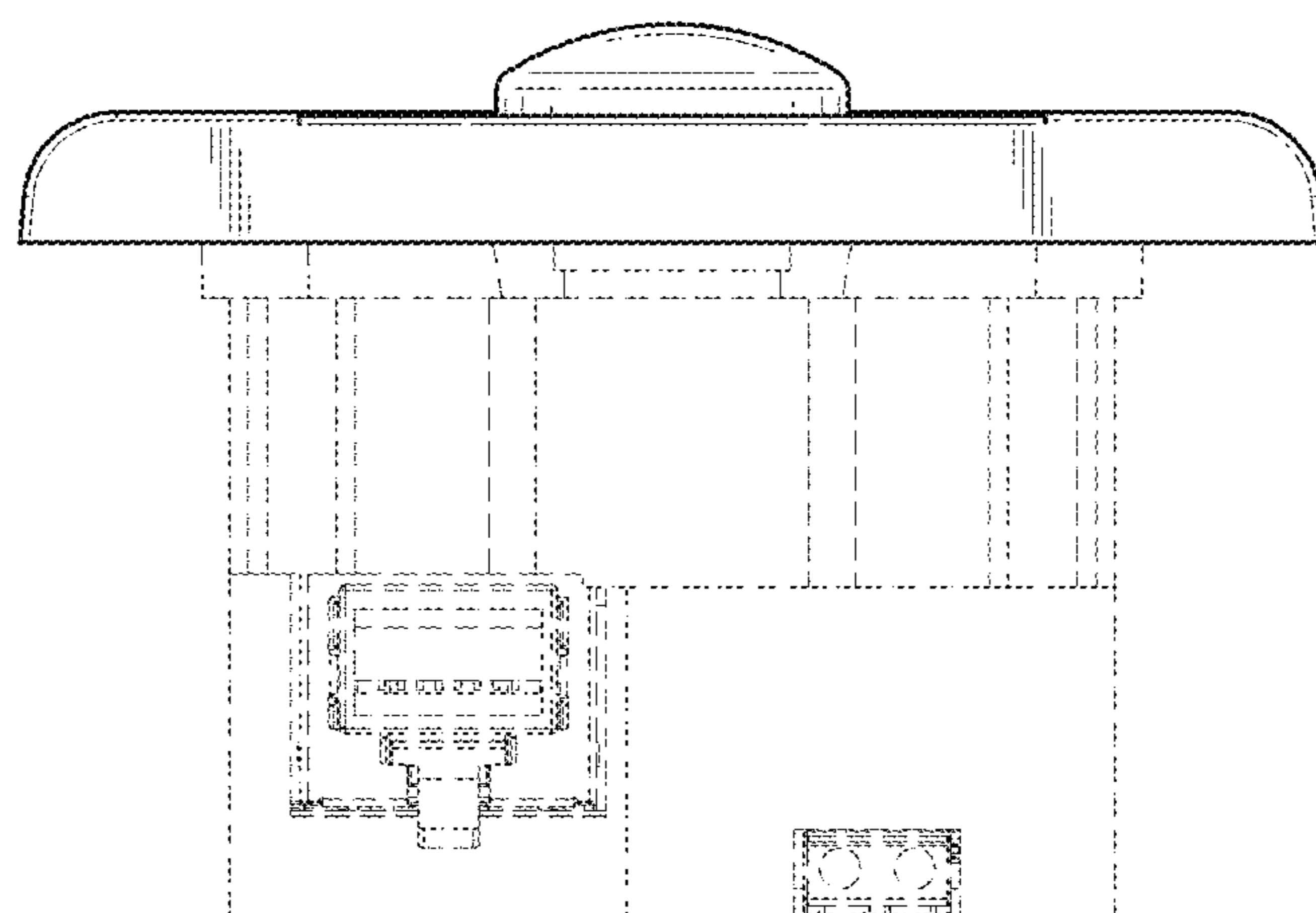


FIG. 7

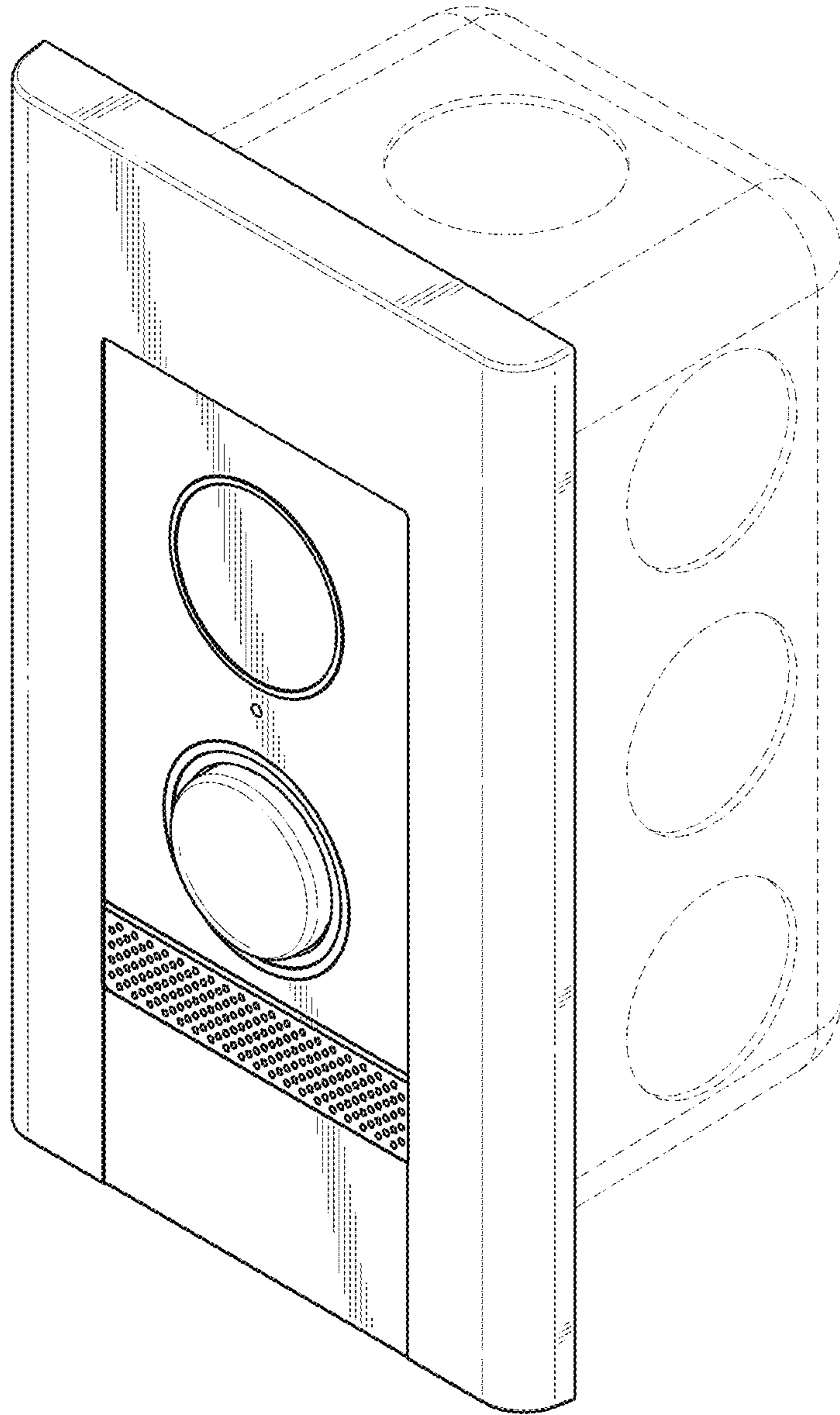


FIG. 8