



US00D798176S

(12) **United States Design Patent**
Gordon

(10) **Patent No.:** **US D798,176 S**

(45) **Date of Patent:** **** Sep. 26, 2017**

(54) **TOOL POST MOUNTED INDICATOR ASSEMBLY**

5,979,069 A * 11/1999 Hayashida G01B 3/22

33/556

D592,087 S * 5/2009 Ohtani D10/102

(71) Applicant: **Sean Edward Gordon**, Tucson, AZ
(US)

* cited by examiner

(72) Inventor: **Sean Edward Gordon**, Tucson, AZ
(US)

Primary Examiner — Antoine D Davis

(74) *Attorney, Agent, or Firm* — Lyman Moulton, Esq.

(**) Term: **15 Years**

(57) **CLAIM**

(21) Appl. No.: **29/561,470**

The ornamental design for a tool post mounted indicator assembly, as shown and described.

(22) Filed: **Apr. 15, 2016**

(51) **LOC (10) Cl.** **10-04**

(52) **U.S. Cl.** **D10/102**
USPC

(58) **Field of Classification Search**
USPC D10/46, 102
CPC G01D 11/24; G01D 11/245; G01D 11/26
See application file for complete search history.

DESCRIPTION

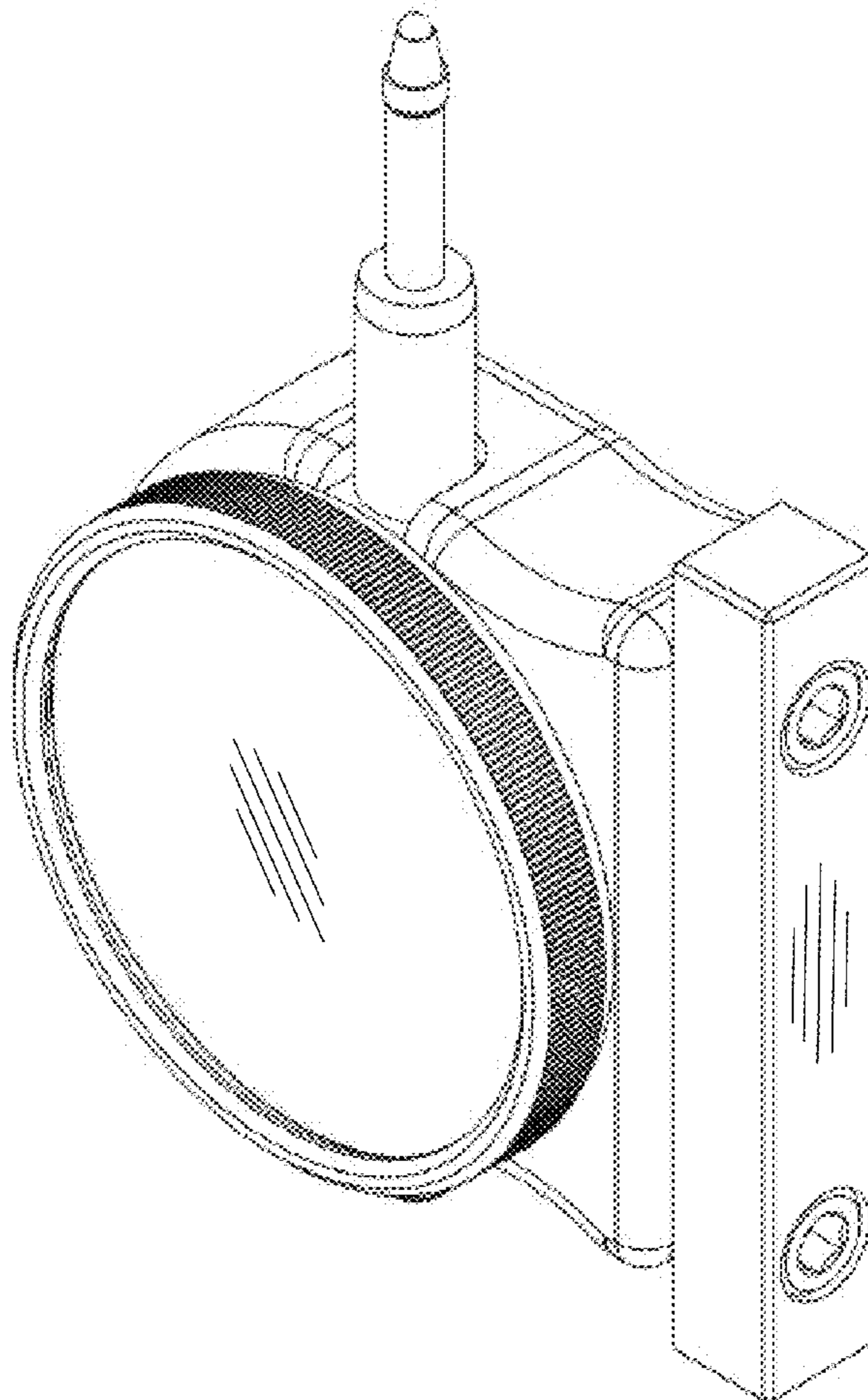
FIG. 1 is a top right perspective view of a tool post mounted indicator assembly showing my new design; FIG. 2 is a front elevational view thereof; FIG. 3 is a back elevational view thereof; FIG. 4 is a left elevational view thereof; FIG. 5 is a right elevational view thereof; FIG. 6 is a top elevational view thereof; and, FIG. 7 is a bottom elevational view thereof.

(56) **References Cited**

U.S. PATENT DOCUMENTS

4,748,861 A * 6/1988 Matsumoto G01D 11/24
73/866.3

1 Claim, 5 Drawing Sheets



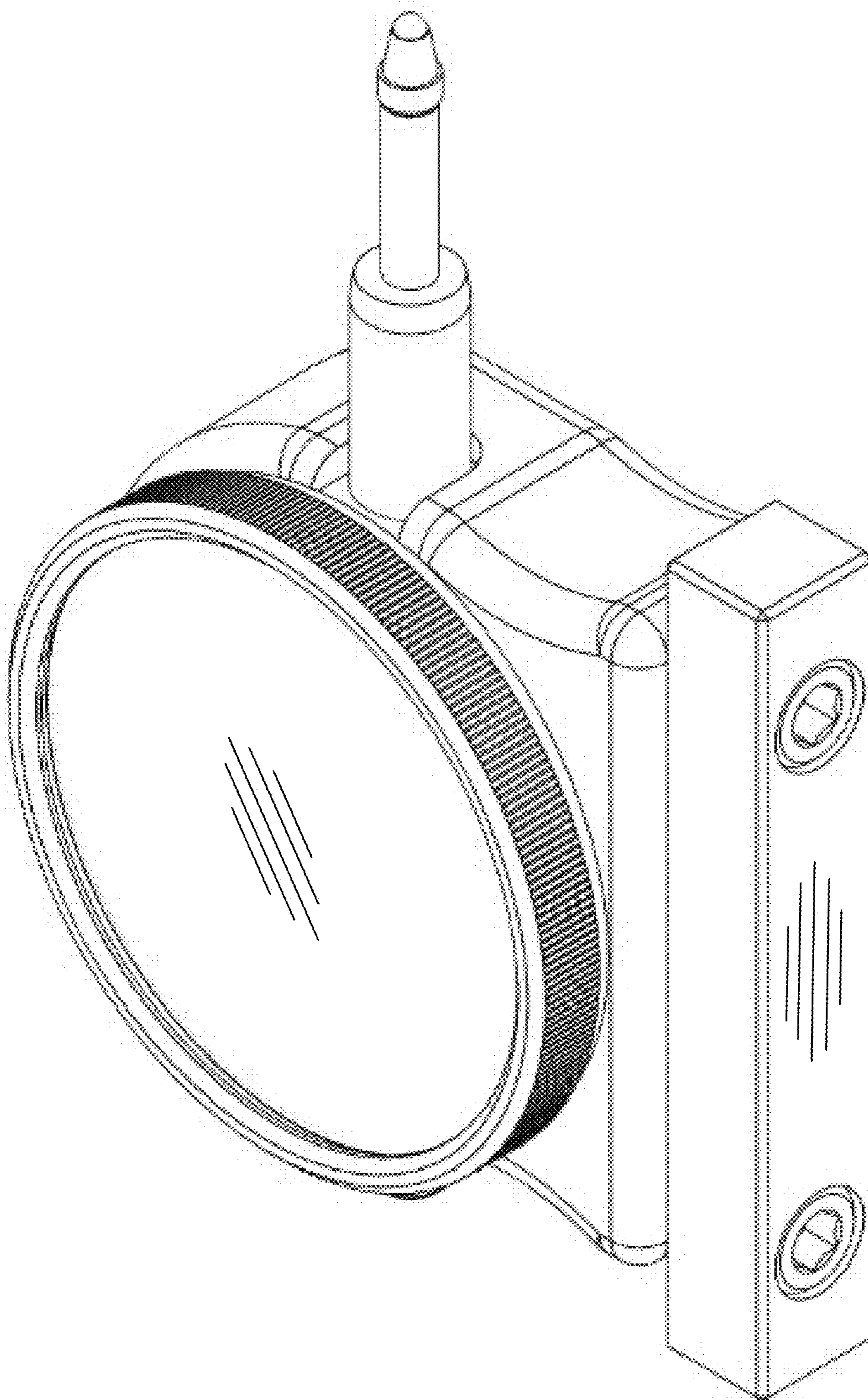


FIG. 1

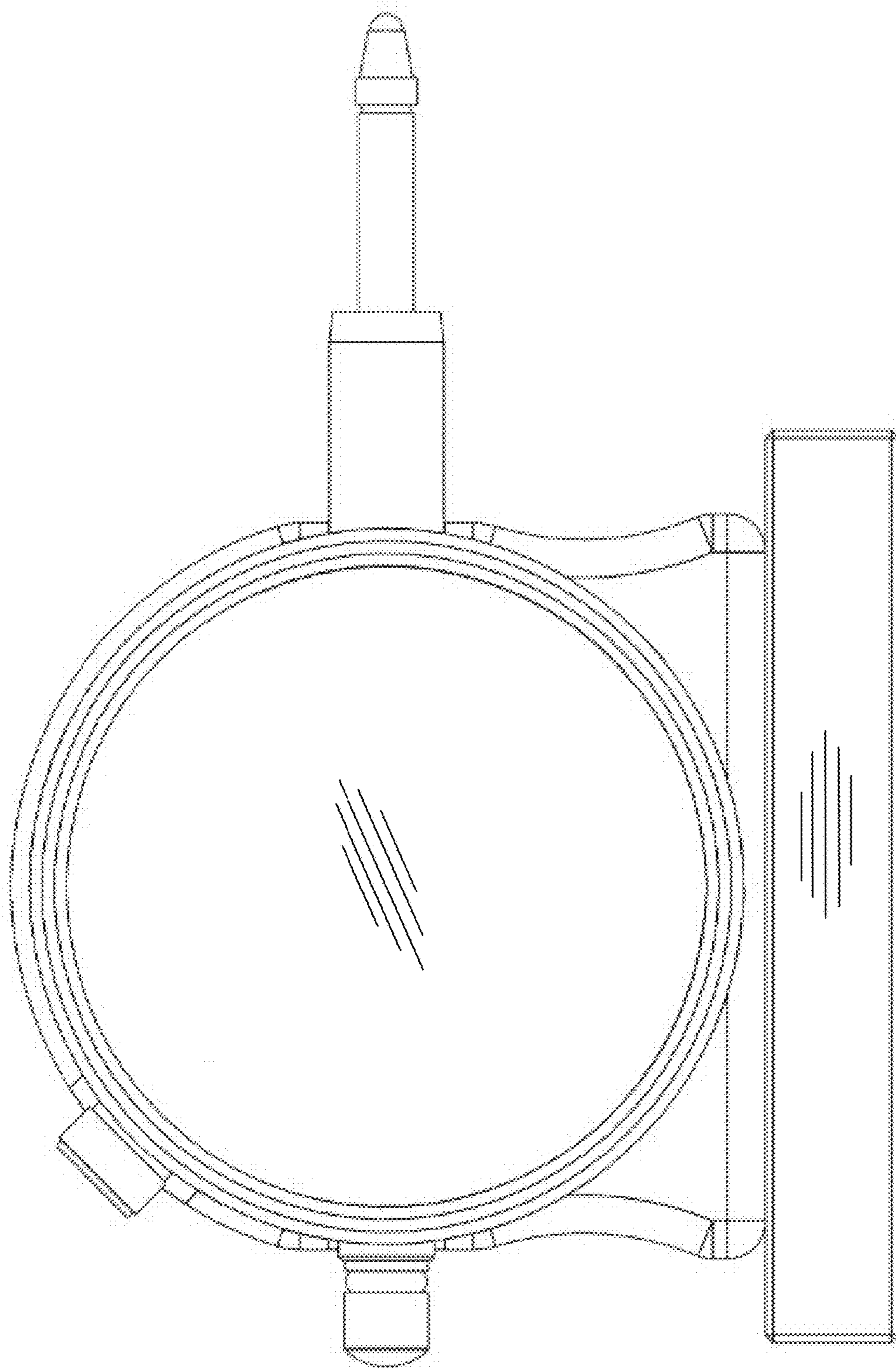


FIG. 2

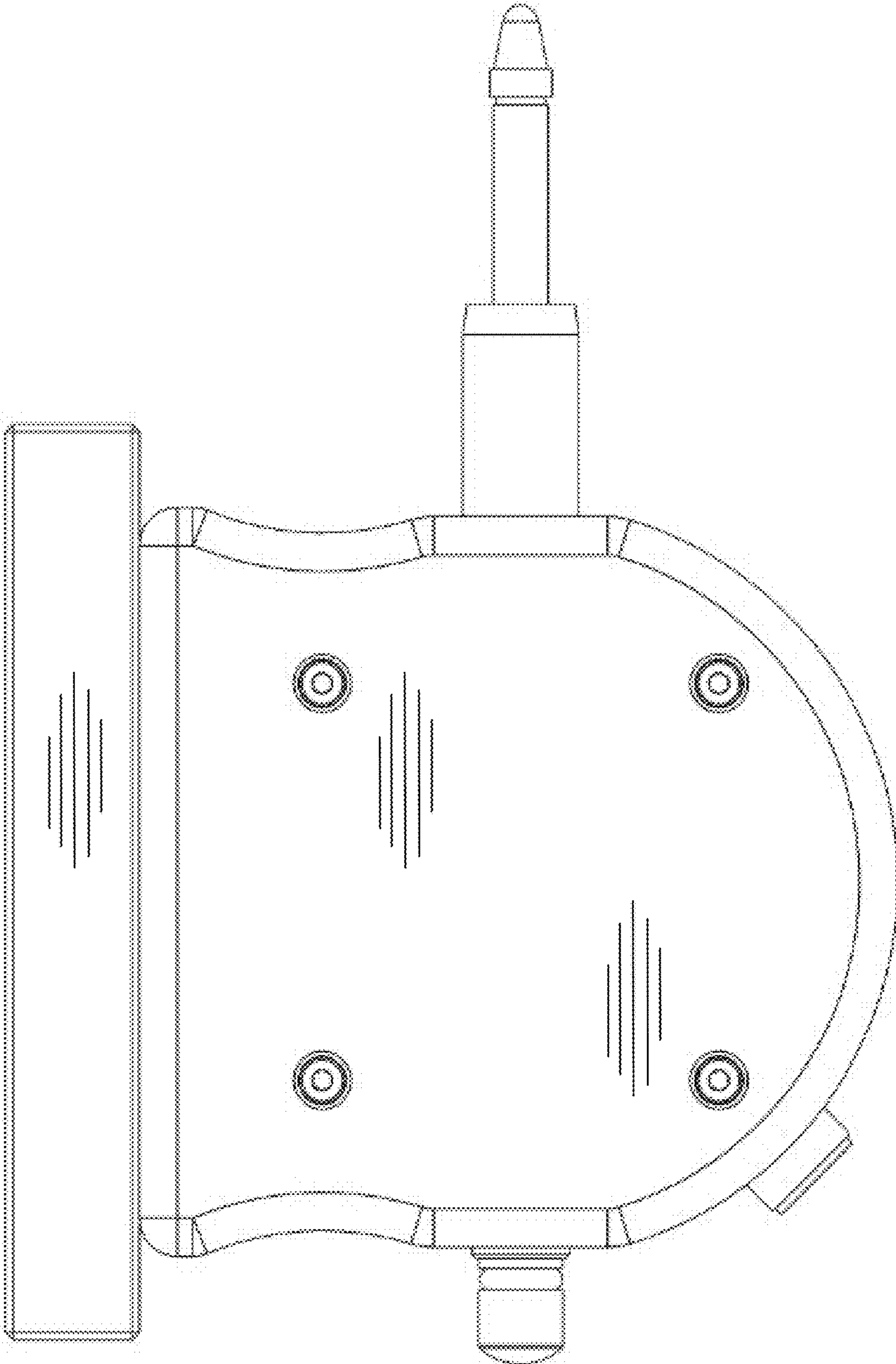


FIG. 3

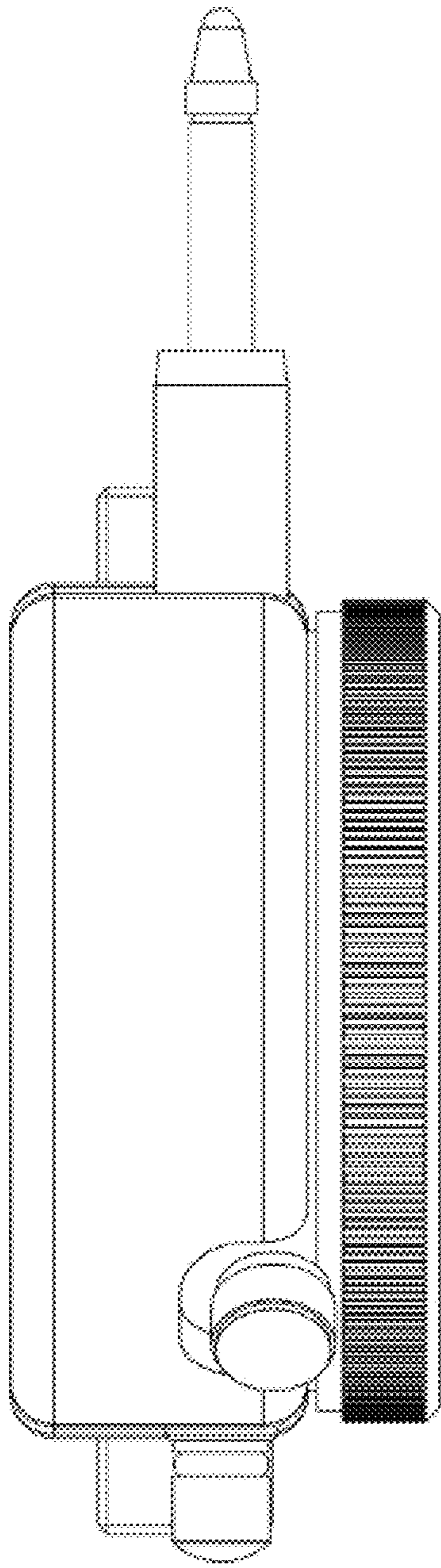


FIG. 4

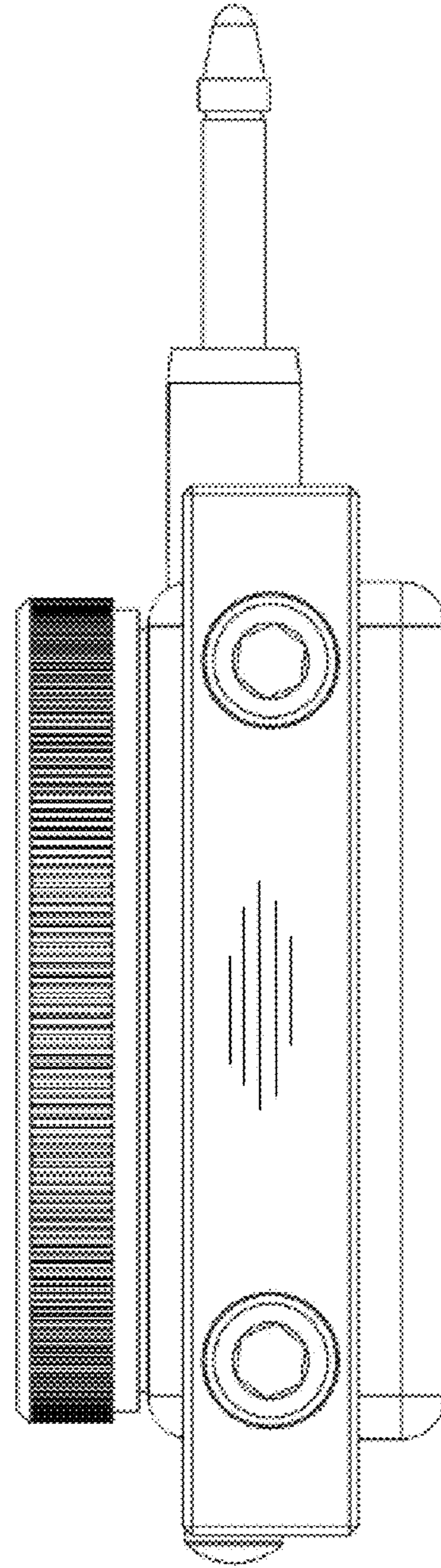


FIG. 5

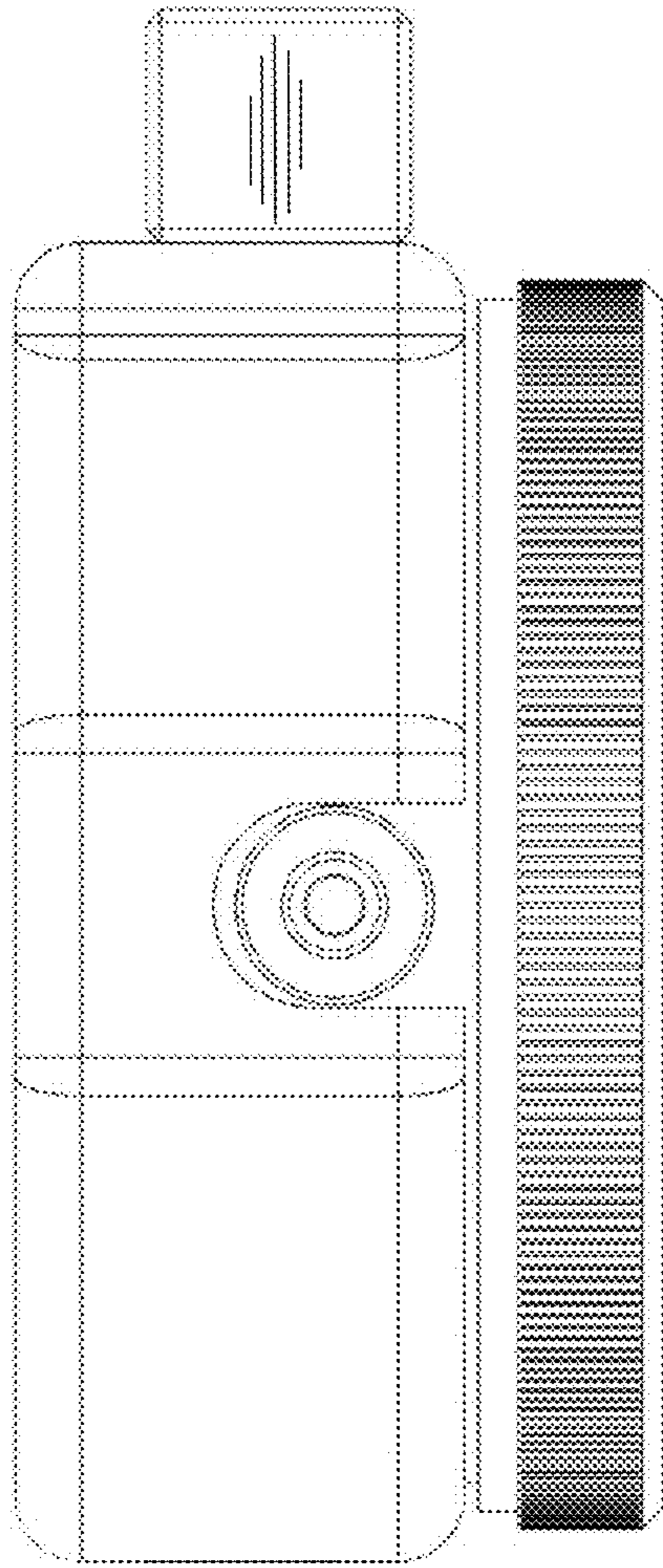


FIG. 6

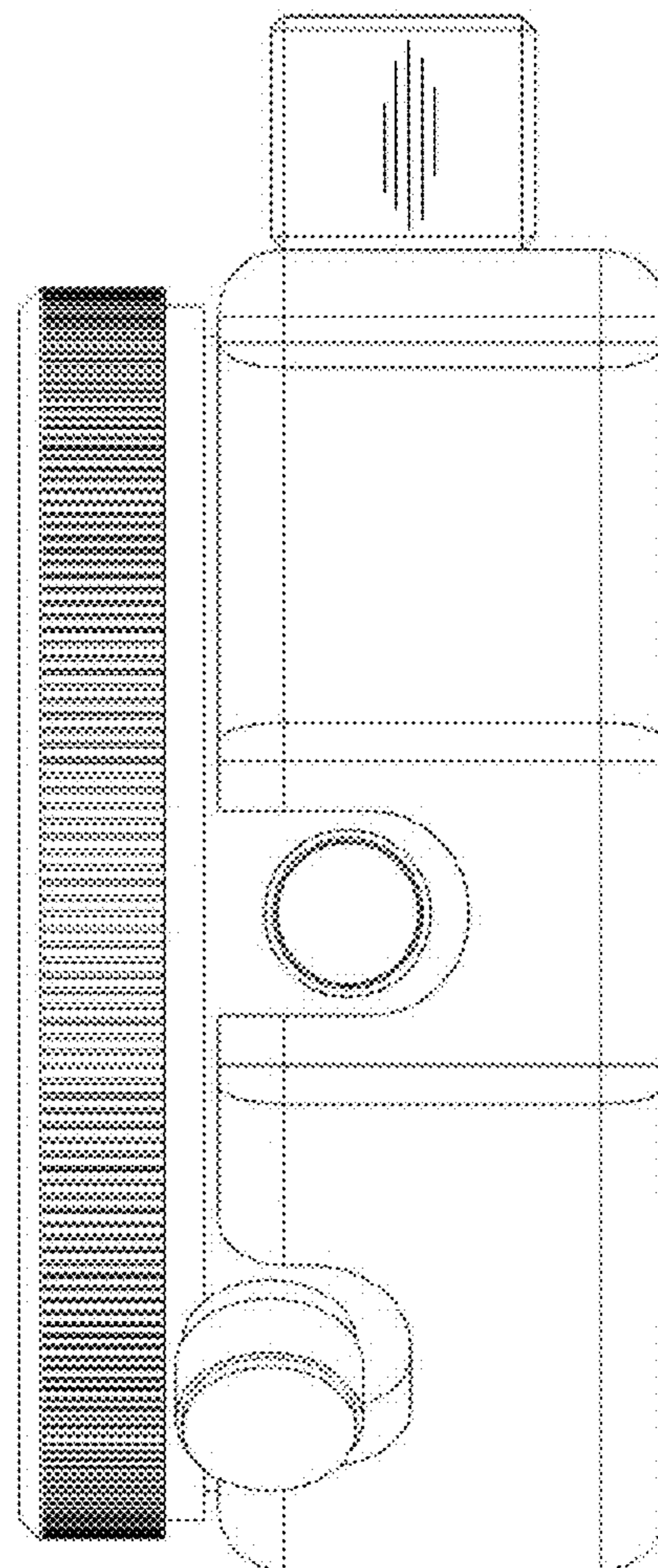


FIG. 7