



US00D798175S

(12) **United States Design Patent** (10) **Patent No.:** **US D798,175 S**
Donovick et al. (45) **Date of Patent:** **** Sep. 26, 2017**

(54) **BLUETOOTH WEIGHING SCALE**

OTHER PUBLICATIONS

(71) Applicants: **David Donovanick**, Seattle, WA (US);
Dana Donovanick, Seattle, WA (US)

https://cdn.shopify.com/s/files/1/0369/8533/products/Omron_HBF-206IT_Weight_Scales.png?v=1428016009.
<http://scene7.targetimg1.com/is/image/Target/46790468?wid=480&hei=480>.
<http://sc01.alicdn.com/kf/HTB1.M4jLFXXXXtXXXXq6xXFXXxi/180kg-400lb-Digital-Bluetooth-Weighing-Scale-Free.jpg>.
https://cdn.shopify.com/s/files/1/0369/8533/products/FORA_W310b.png?v=1428016091.

(72) Inventors: **David Donovanick**, Seattle, WA (US);
Dana Donovanick, Seattle, WA (US)

(**) Term: **15 Years**

* cited by examiner

(21) Appl. No.: **29/567,325**

(22) Filed: **Jun. 8, 2016**

Primary Examiner — Antoine D Davis

(51) **LOC (10) Cl.** **10-04**

(74) *Attorney, Agent, or Firm* — Raj Abhyanker, P.C.

(52) **U.S. Cl.**
USPC **D10/92**

(57) **CLAIM**

(58) **Field of Classification Search**
USPC D10/92
CPC G01G 19/44; G01G 19/445; G01G 19/46;
G01G 19/48; G01G 19/50; G01G 21/28;
G01G 21/44
See application file for complete search history.

The ornamental design for a bluetooth weighing scale, as shown and described.

DESCRIPTION

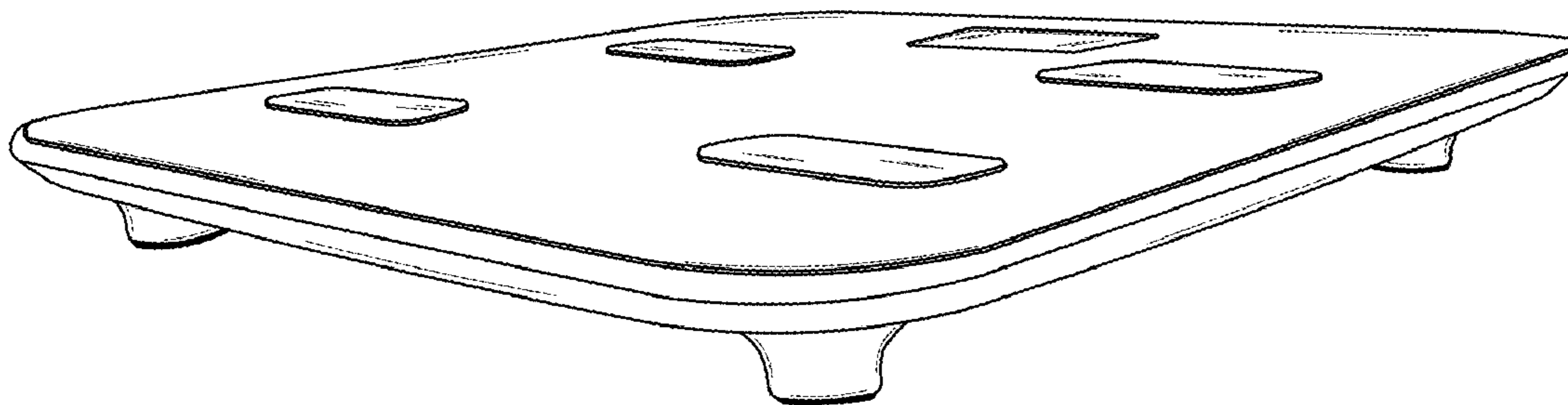
(56) **References Cited**

FIG. 1 is a front, top, right side perspective view for a bluetooth weighing scale, showing my new design; FIG. 2 is a rear, top, right side perspective view thereof; FIG. 3 is a top plan view thereof; FIG. 4 is a bottom plan view thereof; FIG. 5 is a front elevational view thereof; FIG. 6 is a rear elevational view thereof; FIG. 7 is a left side elevational view thereof; and, FIG. 8 is a right side elevational view thereof.

U.S. PATENT DOCUMENTS

D576,898 S	9/2008	Kousuge et al.	
D655,214 S	3/2012	Ogihara et al.	
D680,456 S	4/2013	Ogihara et al.	
D700,092 S	* 2/2014	Ogihara	D10/92
D718,162 S	* 11/2014	Kobayakawa	D10/92

1 Claim, 5 Drawing Sheets



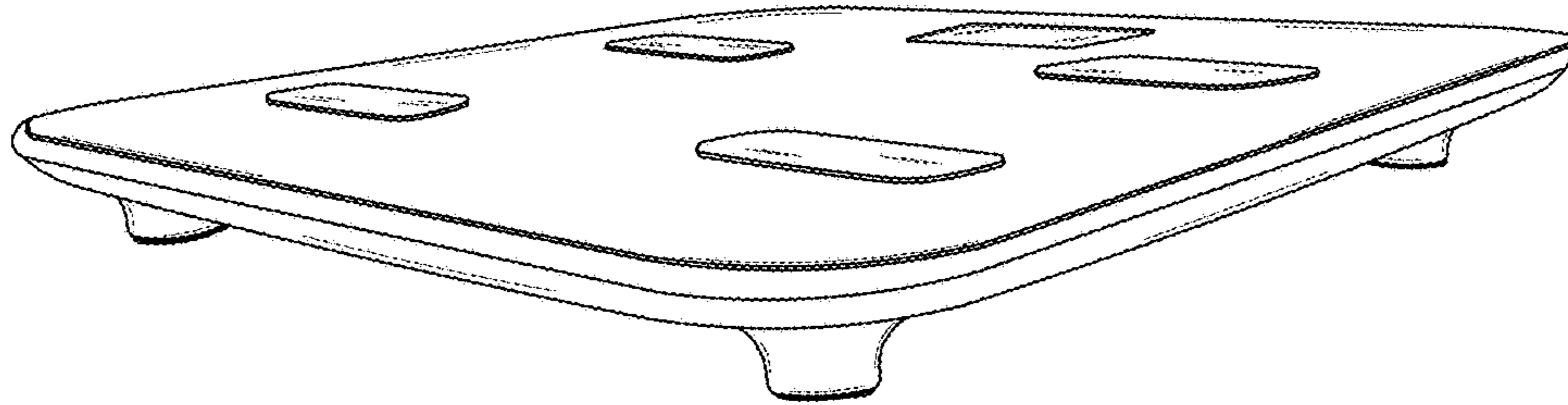


FIG. 1

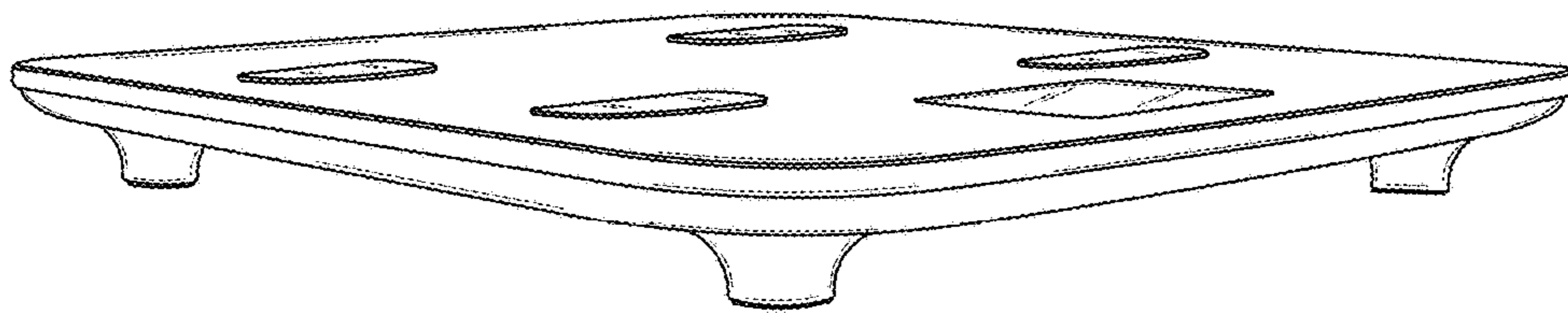


FIG. 2

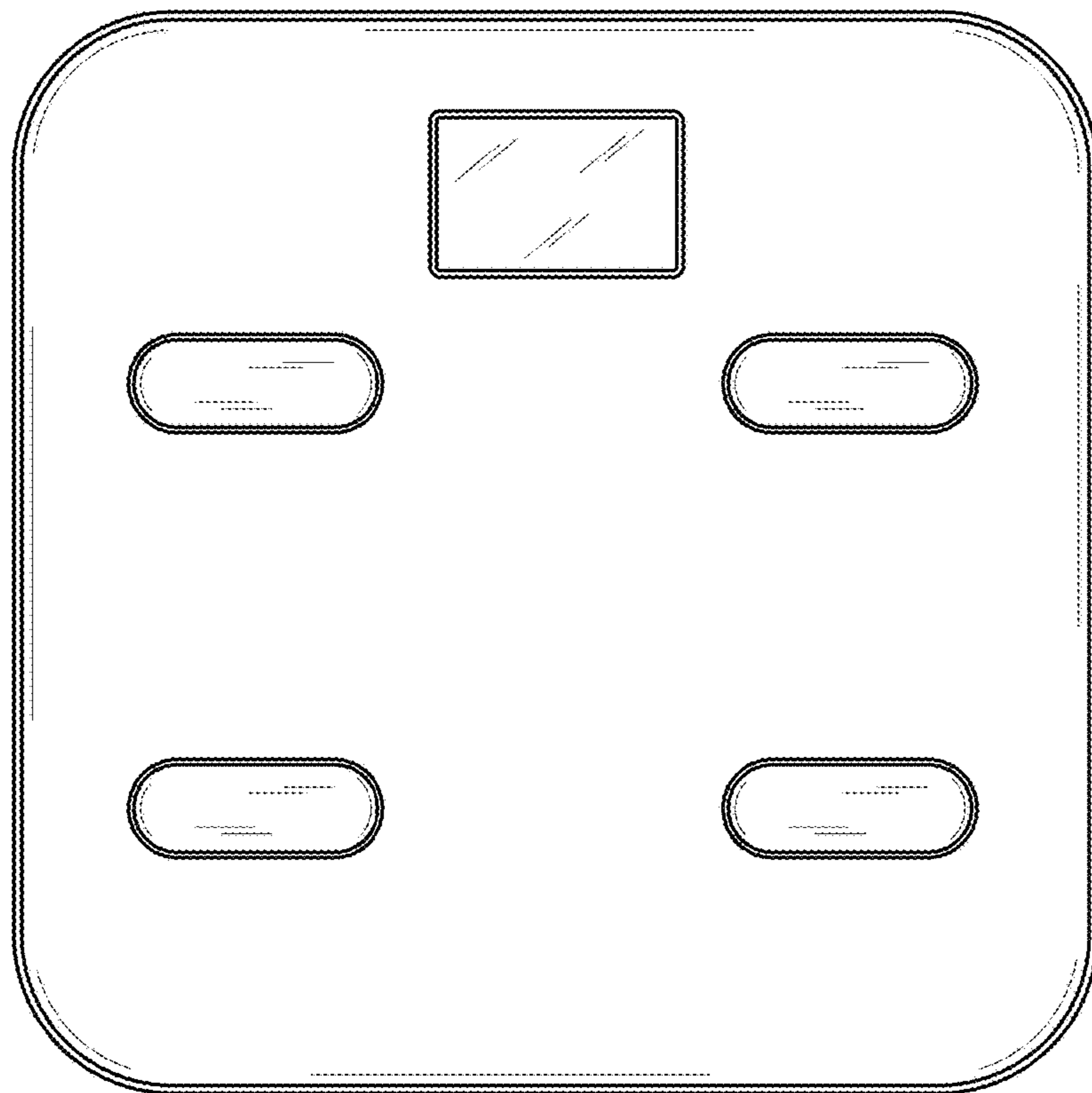


FIG. 3

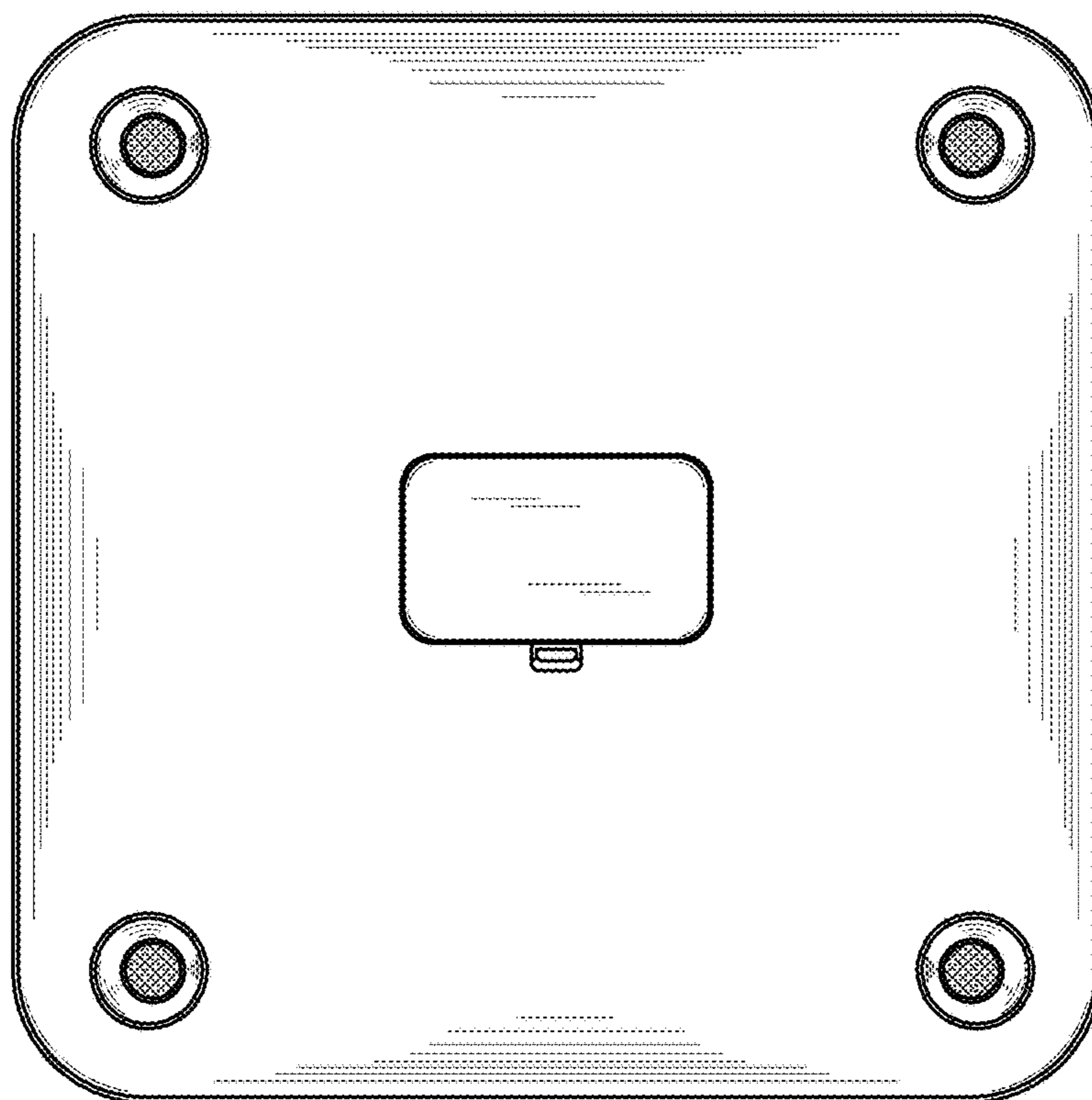


FIG. 4

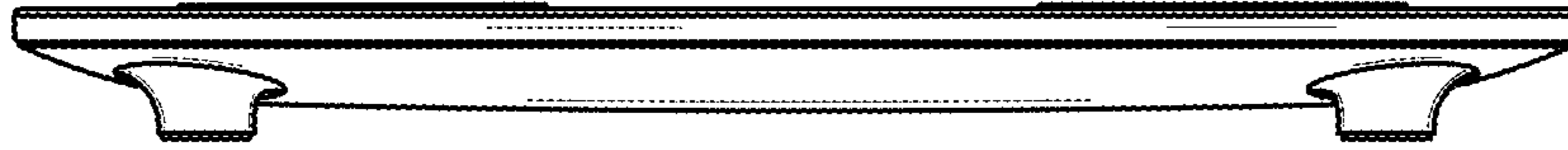


FIG. 5

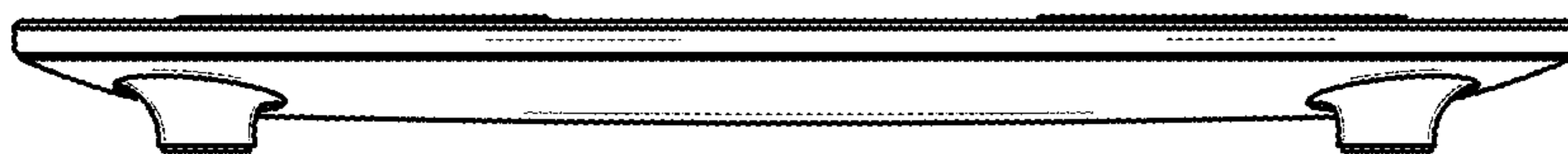


FIG. 6



FIG. 7

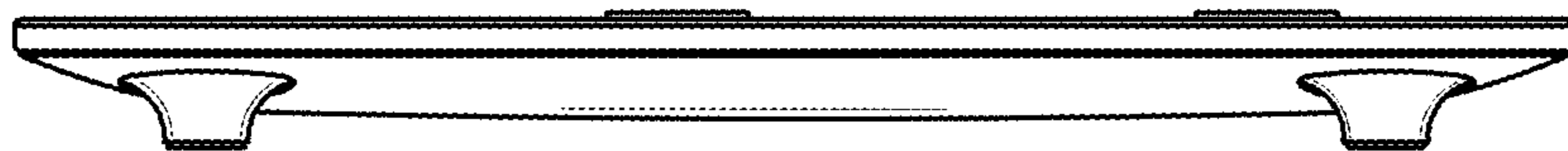


FIG. 8