



US00D798174S

(12) **United States Design Patent**  
**Tian**

(10) **Patent No.:** **US D798,174 S**

(45) **Date of Patent:** **\*\* Sep. 26, 2017**

(54) **LUGGAGE SCALE WITH PORTABLE POWER SOURCE**

D743,283 S \* 11/2015 Sheikh ..... D10/89  
D766,764 S \* 9/2016 Little ..... D10/89

\* cited by examiner

(71) Applicant: **Lijuan Tian**, Zhuzhou (CN)

*Primary Examiner* — Antoine D Davis

(72) Inventor: **Lijuan Tian**, Zhuzhou (CN)

(74) *Attorney, Agent, or Firm* — Schmeiser, Olsen & Watts, LLP

(\*\*) Term: **15 Years**

(21) Appl. No.: **29/565,227**

(57) **CLAIM**

(22) Filed: **May 18, 2016**

The ornamental design for a luggage scale with portable power source, as shown and described.

(51) **LOC (10) Cl.** ..... **10-04**

**DESCRIPTION**

(52) **U.S. Cl.**

USPC ..... **D10/89**

(58) **Field of Classification Search**

USPC ..... D10/87-89

CPC ..... G01G 19/414; G01G 19/58; G01G 19/14;

G01G 19/16; G01G 19/18; G01G 19/20

See application file for complete search history.

FIG. 1 is a Front elevational view of a luggage scale with portable power source showing my new design; FIG. 2 is a Rear elevational view thereof; FIG. 3 is a Left side view thereof; FIG. 4 is a Right side view thereof; FIG. 5 is a Top plan view thereof; FIG. 6 is a Bottom plan view thereof; and, FIG. 7 is a perspective view thereof.

The broken lines in the drawing depict portions of the luggage scale with portable power source that form no part of the claimed design.

(56) **References Cited**

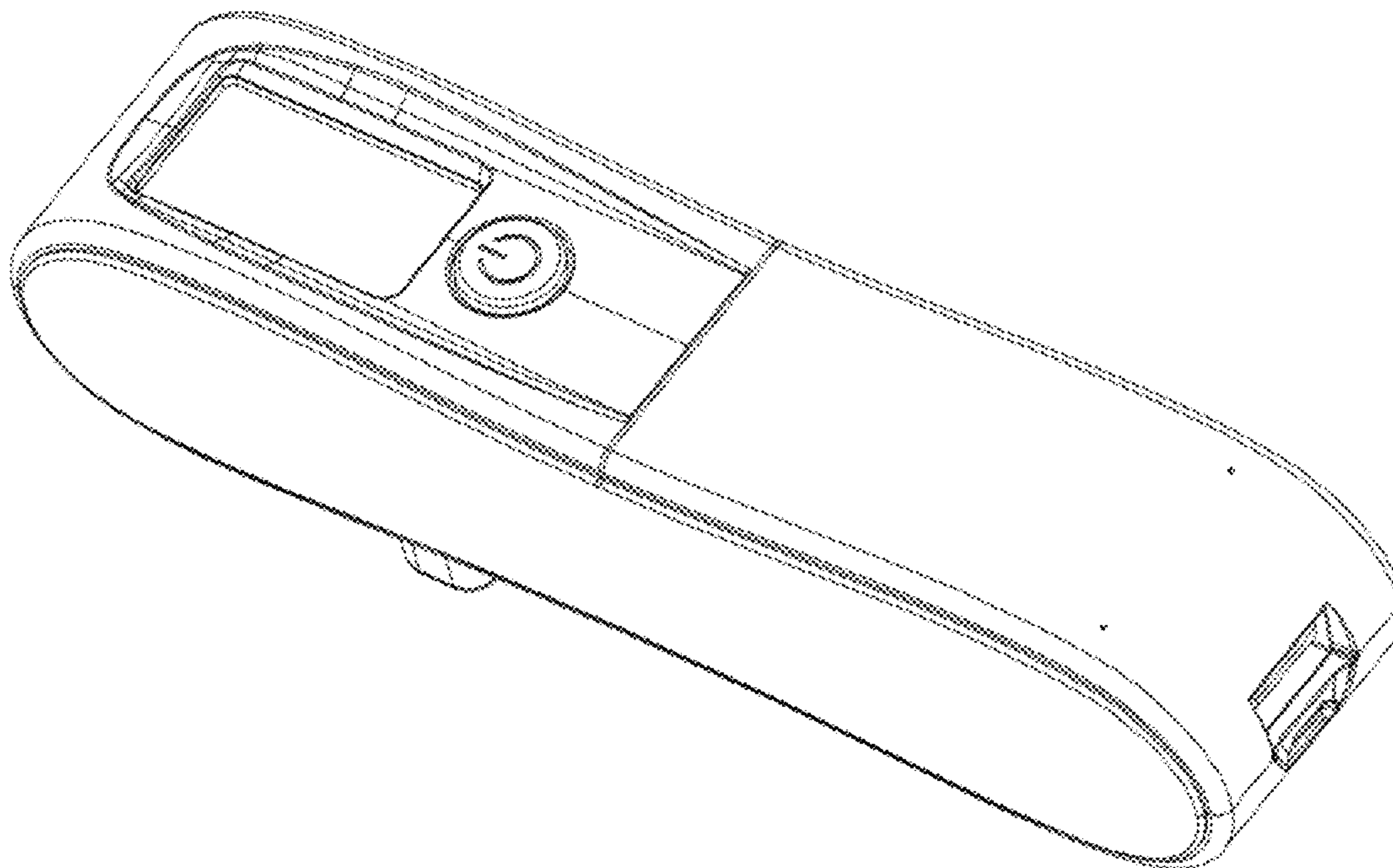
**U.S. PATENT DOCUMENTS**

D653,135 S \* 1/2012 Sheikh ..... D10/89

8,884,170 B2 \* 11/2014 Sheikh ..... G01G 19/414

177/148

**1 Claim, 7 Drawing Sheets**



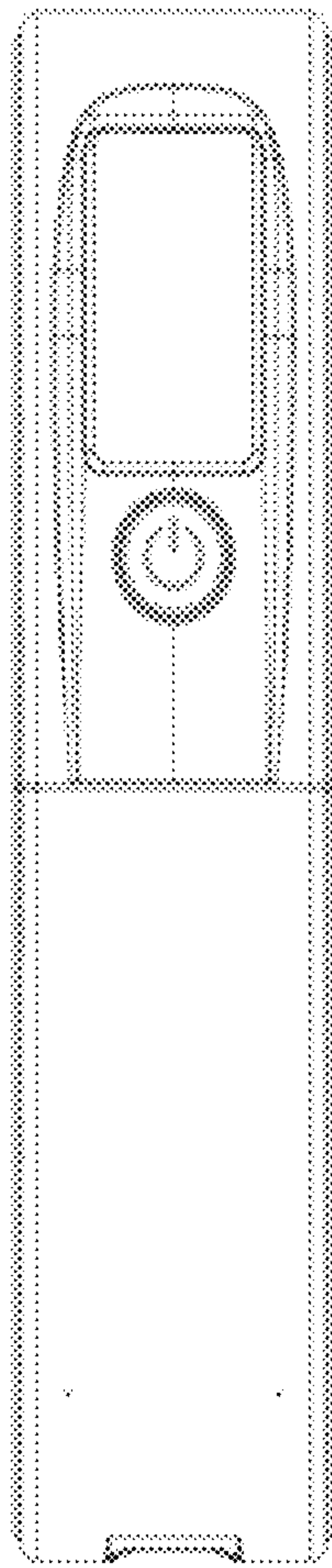


Figure 1

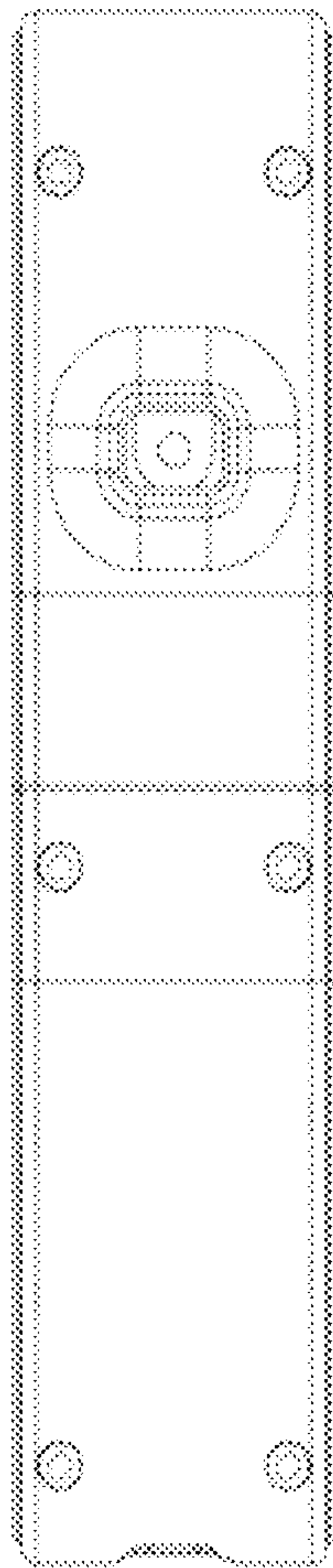


Figure 2

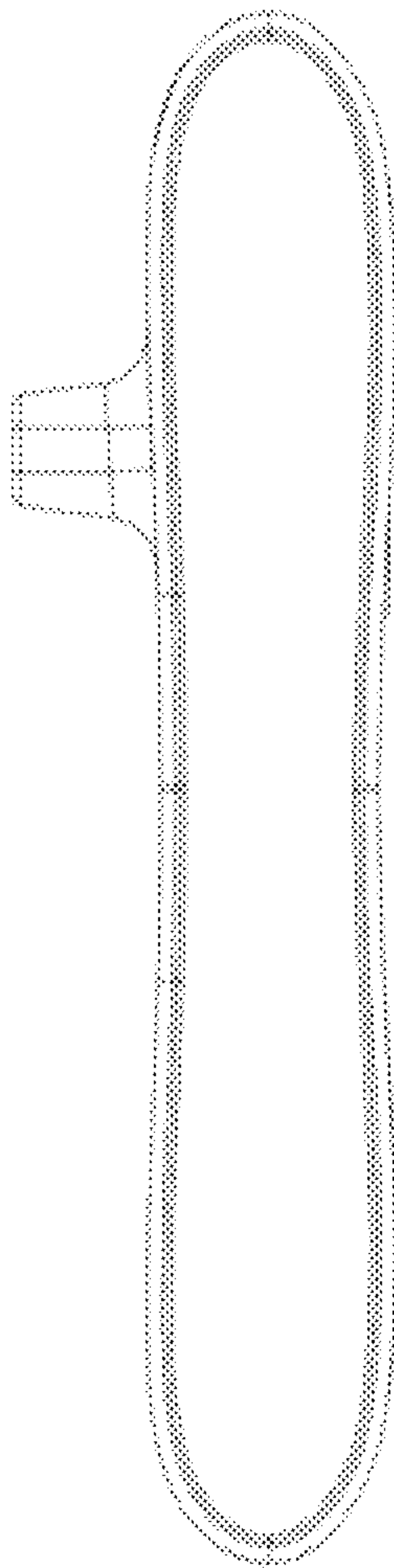


Figure 3

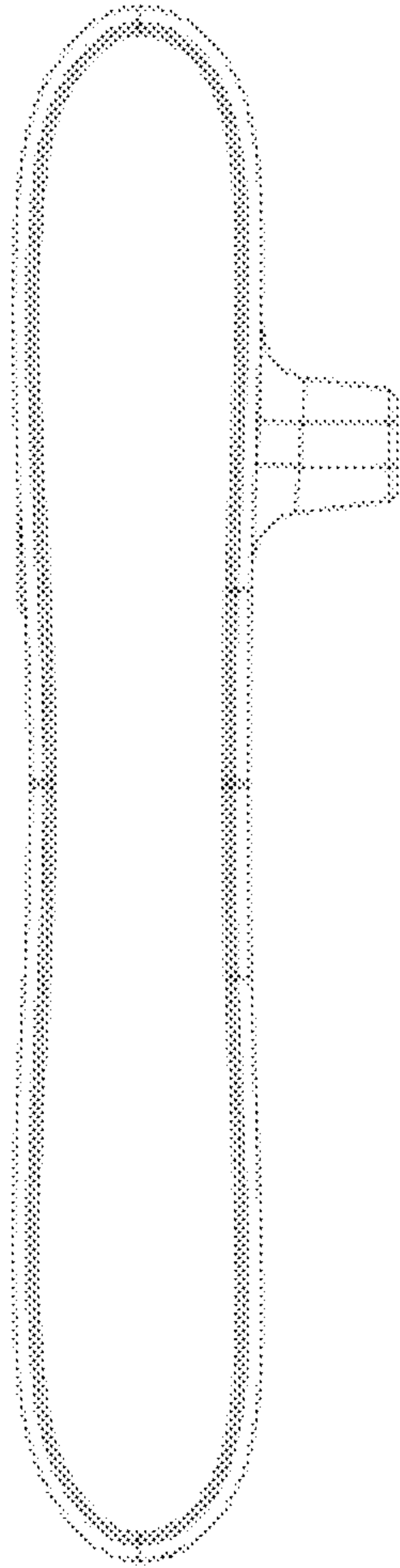


Figure 4

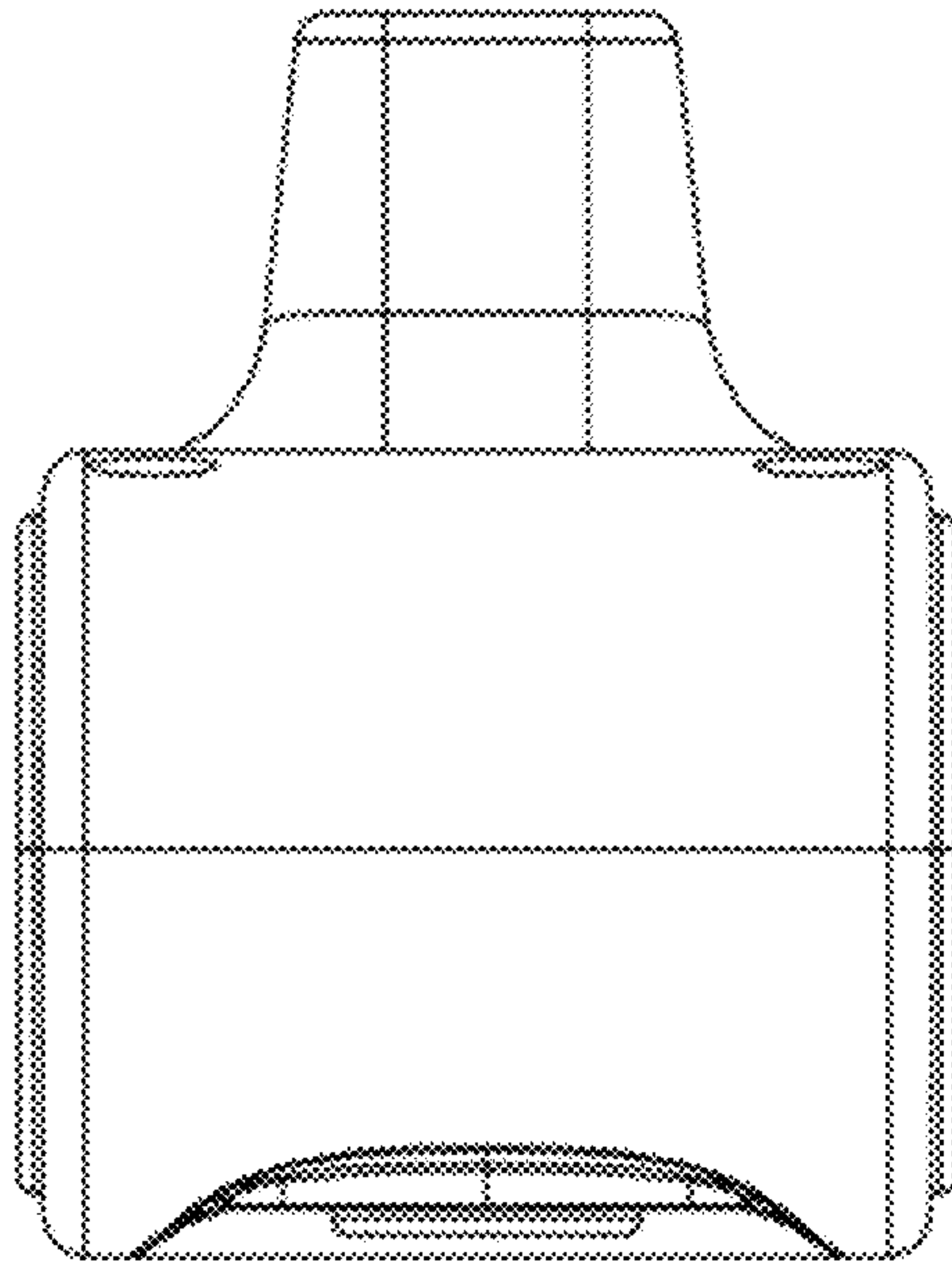


Figure 5

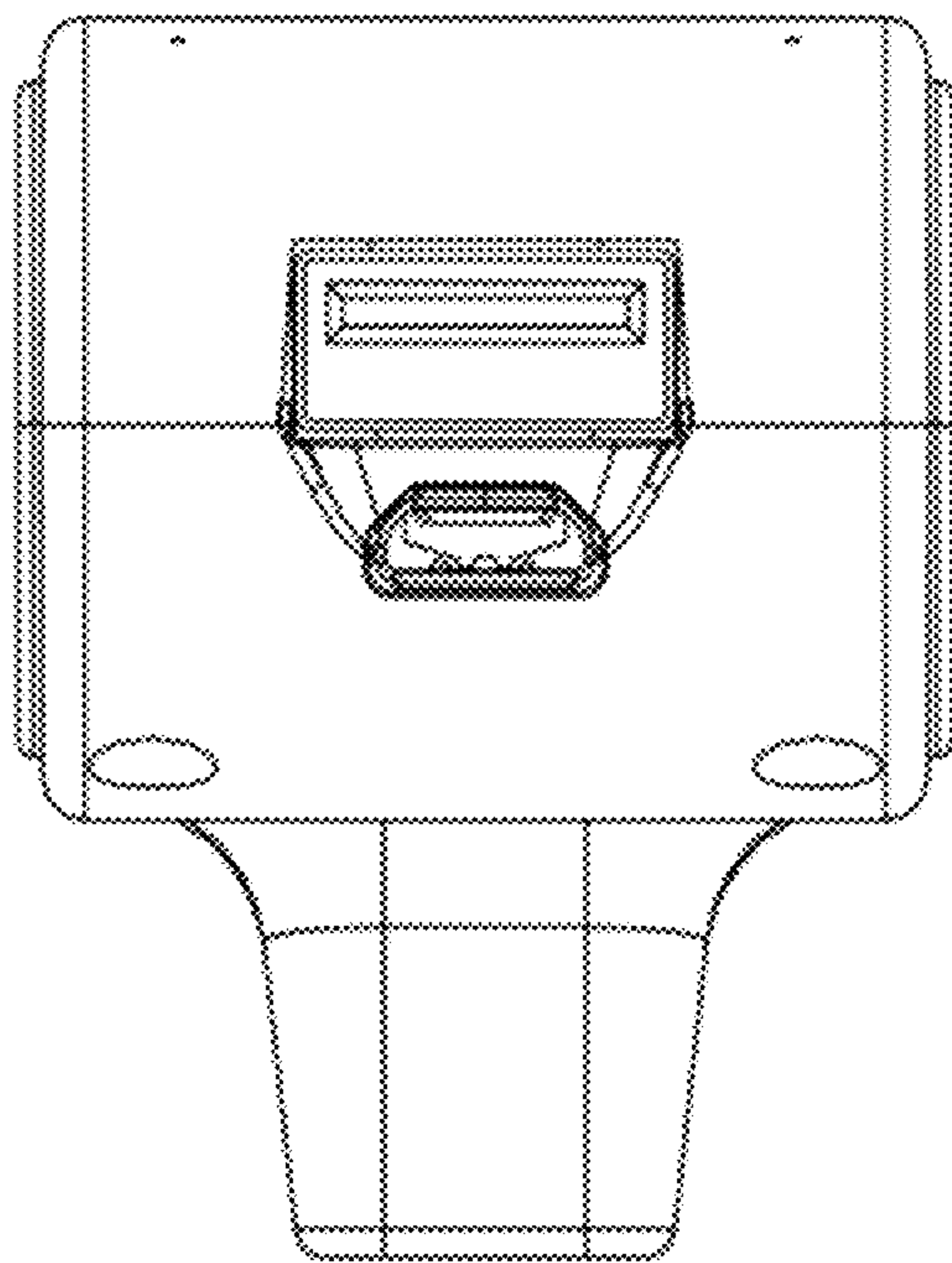


Figure 6



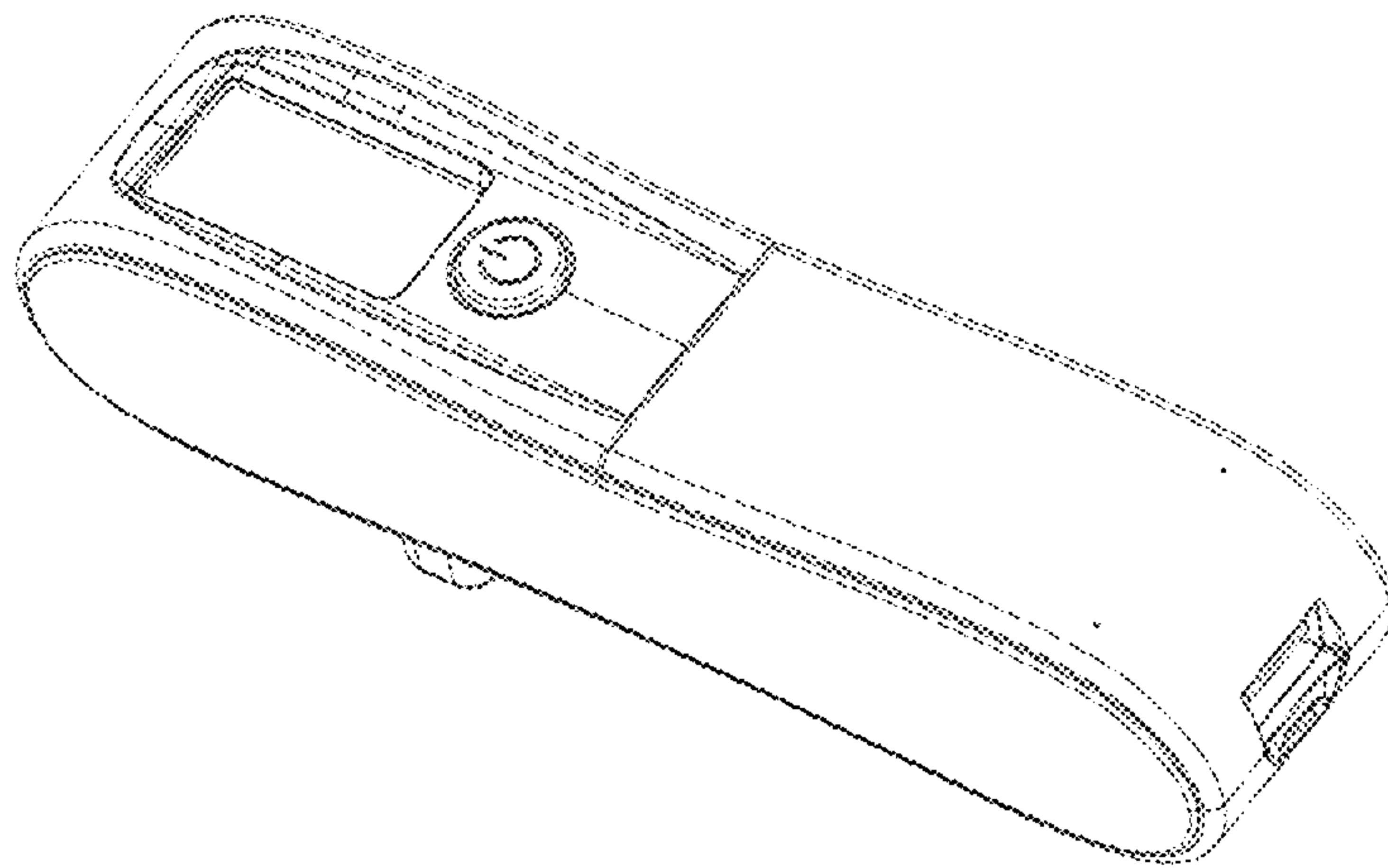


Figure 7