



US00D798172S

(12) **United States Design Patent** (10) **Patent No.:** **US D798,172 S**
Kessler et al. (45) **Date of Patent:** **** Sep. 26, 2017**

(54) **GRADING LAMP**

(71) Applicant: **Sy Kessler Sales, Inc.**, Dallas, TX (US)

(72) Inventors: **Daniel L. Kessler**, Dallas, TX (US);
Henry M. Kessler, Dallas, TX (US)

(73) Assignee: **Sy Kessler Sales, Inc.**, Dallas, TX (US)

(**) Term: **15 Years**

(21) Appl. No.: **29/569,584**

(22) Filed: **Jun. 29, 2016**

(51) **LOC (10) Cl.** **10-04**

(52) **U.S. Cl.**
USPC **D10/81**

(58) **Field of Classification Search**
USPC D10/46
CPC G01N 21/87; G01N 21/88; G01N 21/8803;
G01N 21/8806; G01N 2021/8854; G01N
2021/8858; G01N 33/381; G01N
2223/05; G01J 3/46; G01J 3/461; G01J
3/462; G01J 3/463; G01J 3/465; G01J
2003/466; G01J 2003/467; G01J
2003/468; G01J 3/50; G01J 3/501; G01J
3/502; G01J 2003/503; G01J 3/504; G01J
3/505; G01J 3/506; G01J 2003/507; G01J
3/508; G01J 3/51; G01J 3/513; G01J
2003/516; G01J 4/00; G01J 2004/001;
G01J 2004/002; G01J 2004/004; G01J
2004/005; G01J 2004/007; G01J
2005/0077

See application file for complete search history.

(56) **References Cited**

U.S. PATENT DOCUMENTS

D318,245 S * 7/1991 Sierra D10/81
D333,992 S * 3/1993 Anderson D10/81
5,369,494 A * 11/1994 Bowden G01J 3/02
356/402
9,222,893 B2 * 12/2015 Hornabrook G01N 21/87

* cited by examiner

Primary Examiner — Antoine Duval Davis

(74) *Attorney, Agent, or Firm* — Scott T. Griggs; Griggs
Bergen LLP

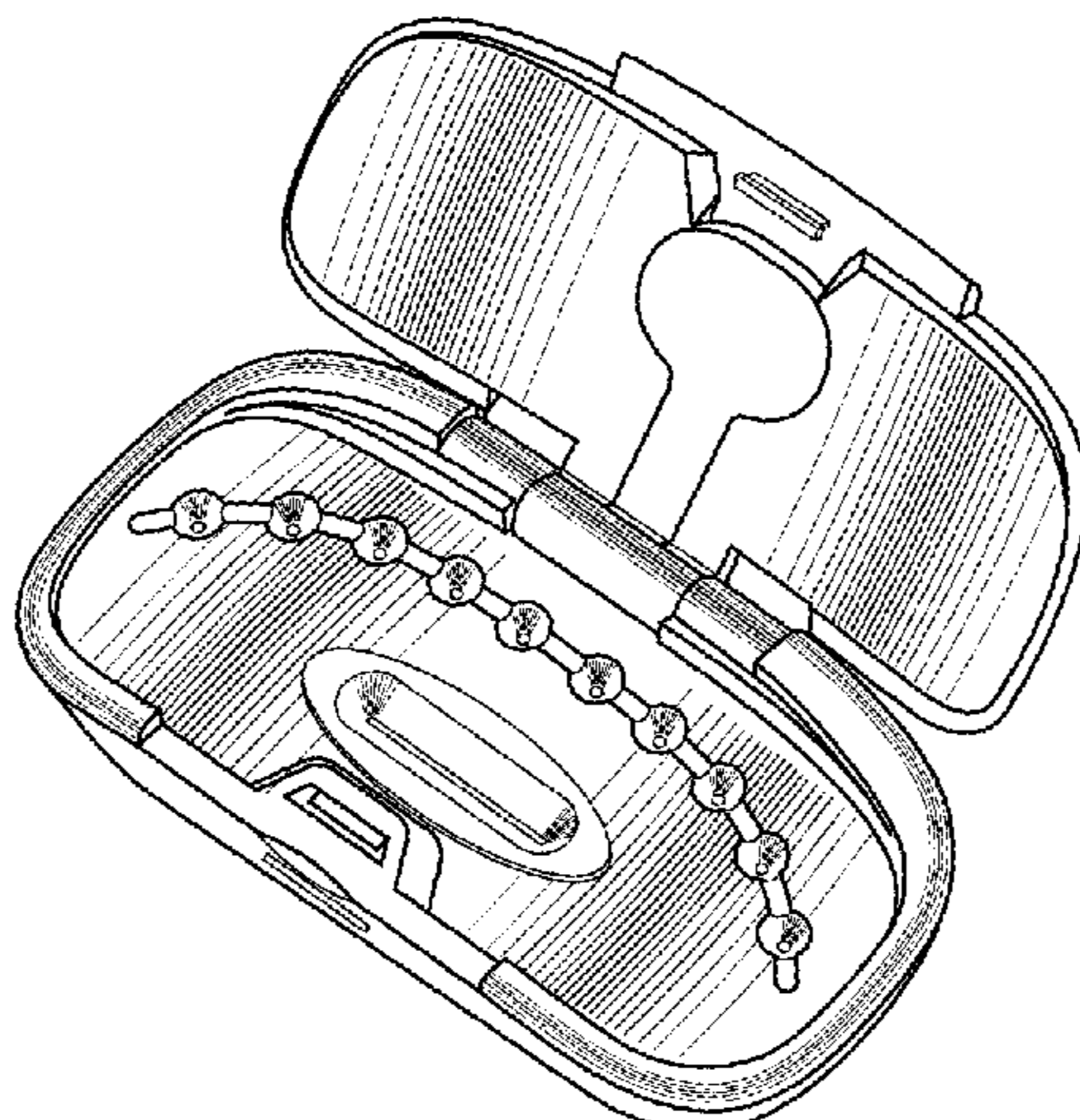
(57) **CLAIM**

The ornamental design for a grading lamp, as shown and
described.

DESCRIPTION

FIG. 1 is a front top perspective view of a grading lamp in
an open position;
FIG. 2 is a front top perspective view of the grading lamp as
shown in FIG. 1 in a closed position;
FIG. 3 is a top plan of the grading lamp as shown in FIG. 1
in an open position;
FIG. 4 is a bottom plan view of the grading lamp as shown
in FIG. 1 in an open position;
FIG. 5 is a top plan view of the grading lamp as shown in
FIG. 1 in a closed position;
FIG. 6 is a bottom plan view of the grading lamp as shown
in FIG. 1 in a closed position;
FIG. 7 is a front elevation view of the grading lamp as shown
in FIG. 1 in an open position;
FIG. 8 is a rear elevation view of the grading lamp as shown
in FIG. 1 in an open position;
FIG. 9 is a front elevation view of the grading lamp as shown
in FIG. 1 in a closed position;
FIG. 10 is a rear elevation view of the grading lamp as
shown in FIG. 1 in a closed position;
FIG. 11 is a left side elevation view of the grading lamp as
shown in FIG. 1 in an open position, which includes
left-right symmetry; and,
FIG. 12 is a right side elevation view of the grading lamp as
shown in FIG. 1 in a closed position.
The dashed and dotted lines shown are provided for envi-
ronmental purposes only and form no part of the claimed
design.

1 Claim, 2 Drawing Sheets



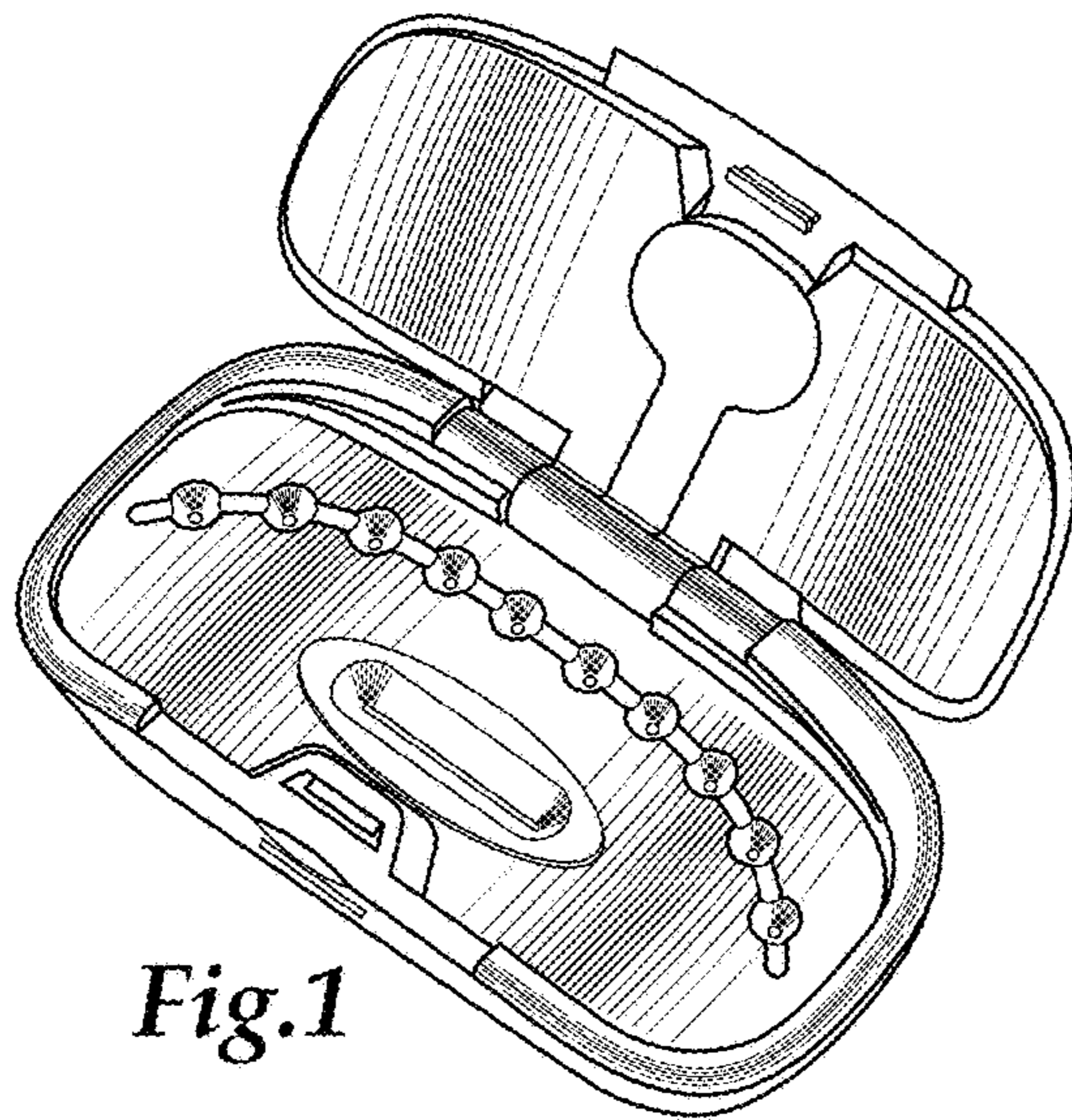


Fig.1

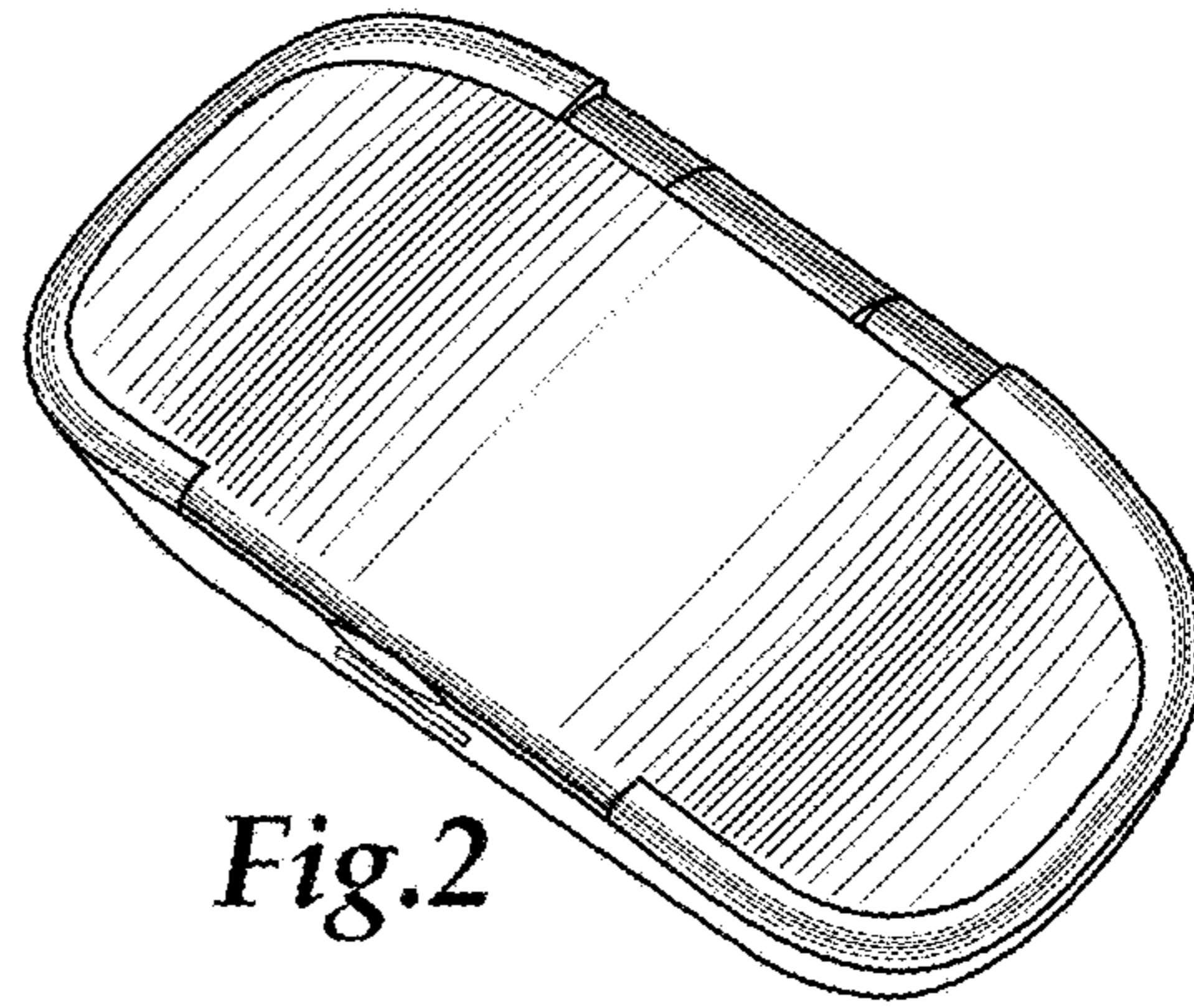


Fig.2

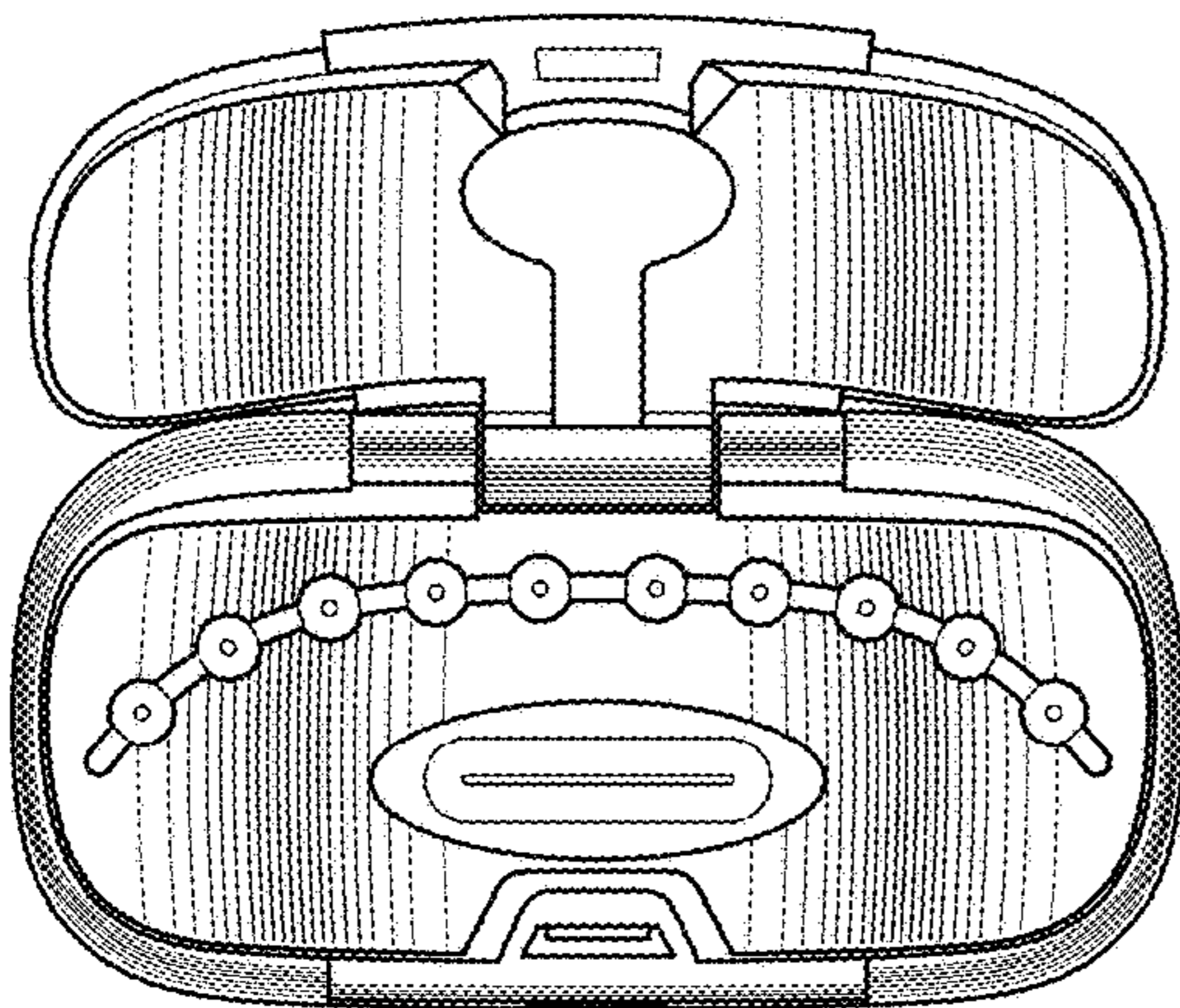


Fig.3

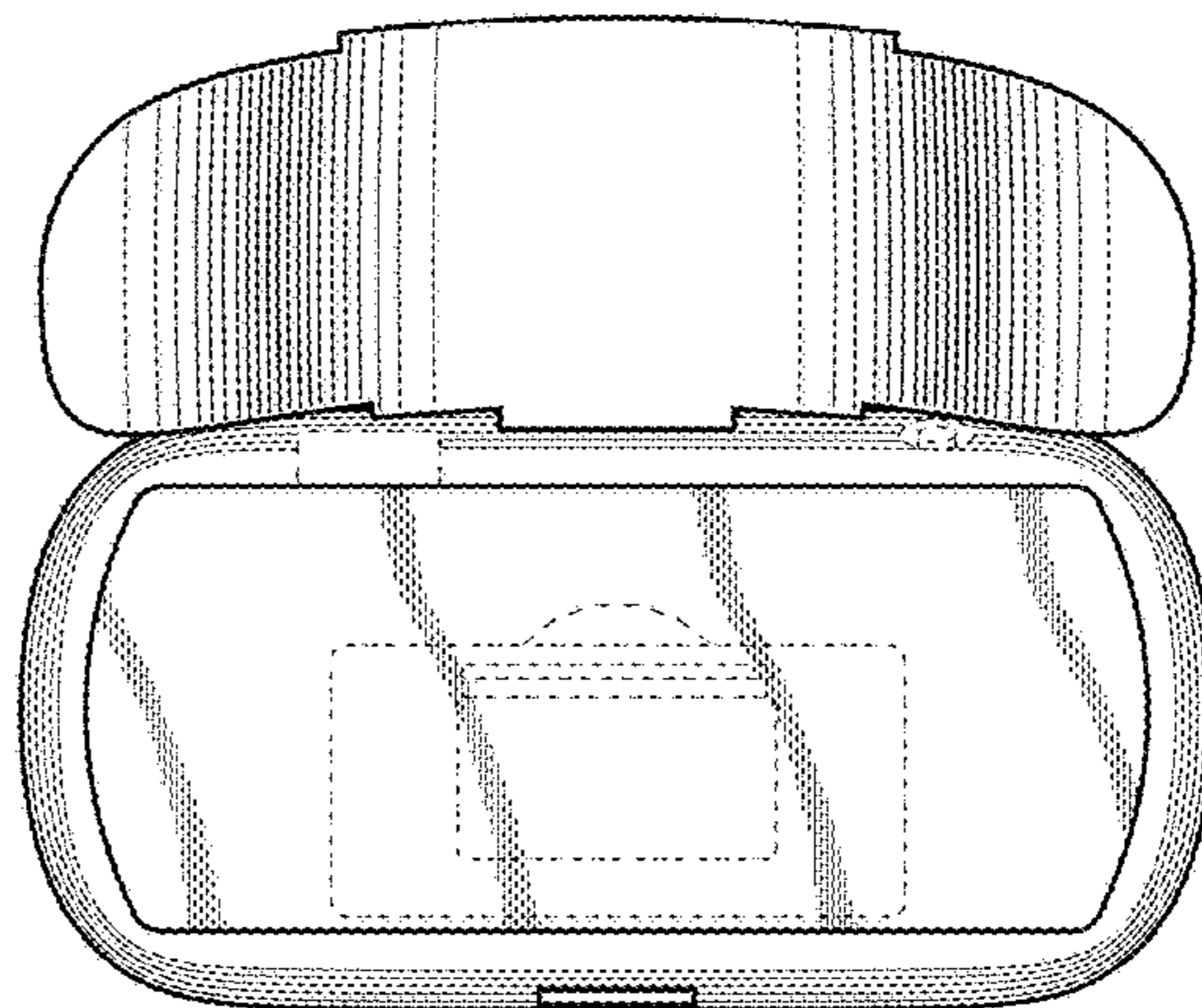


Fig.4

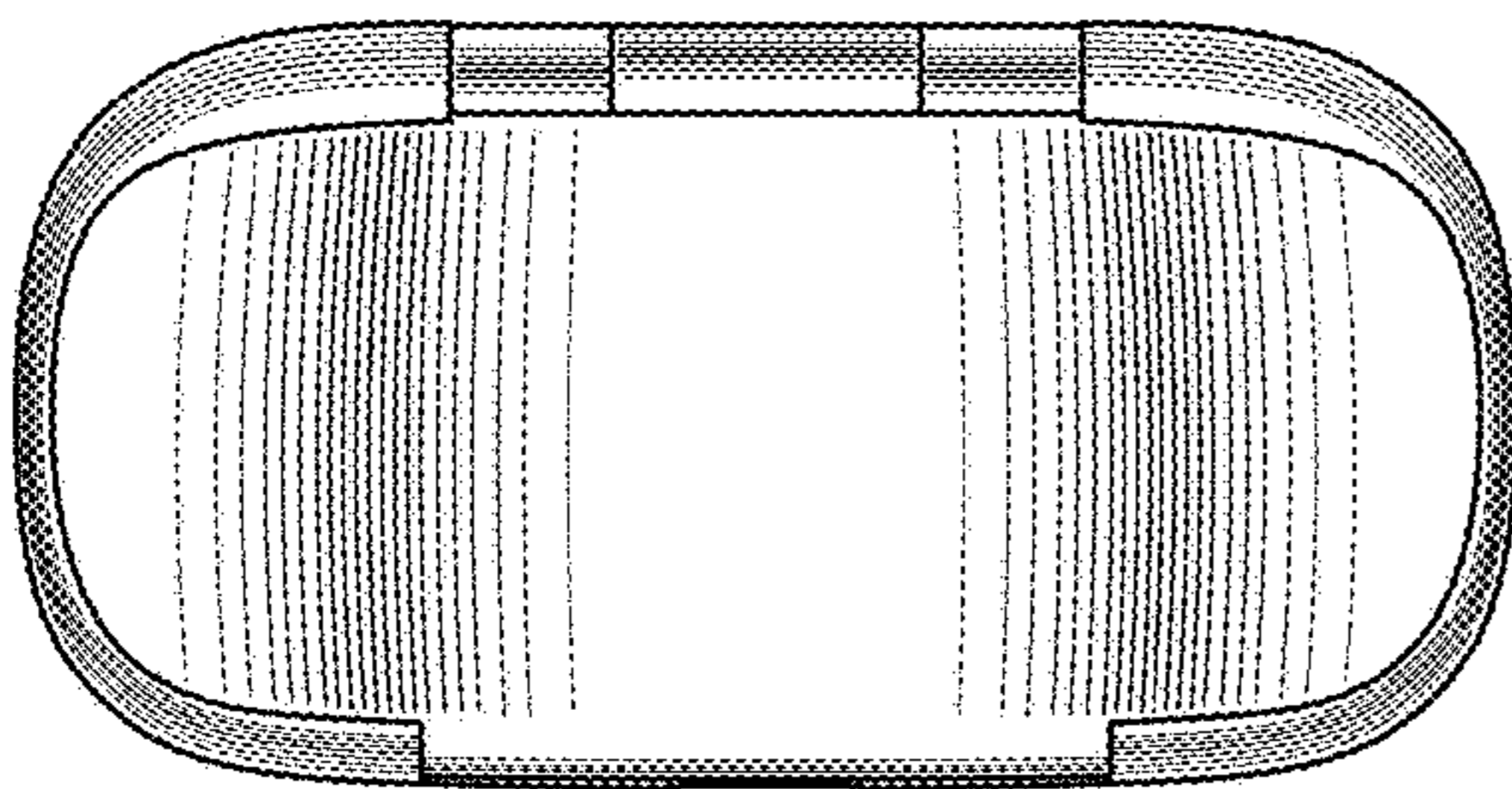


Fig.5

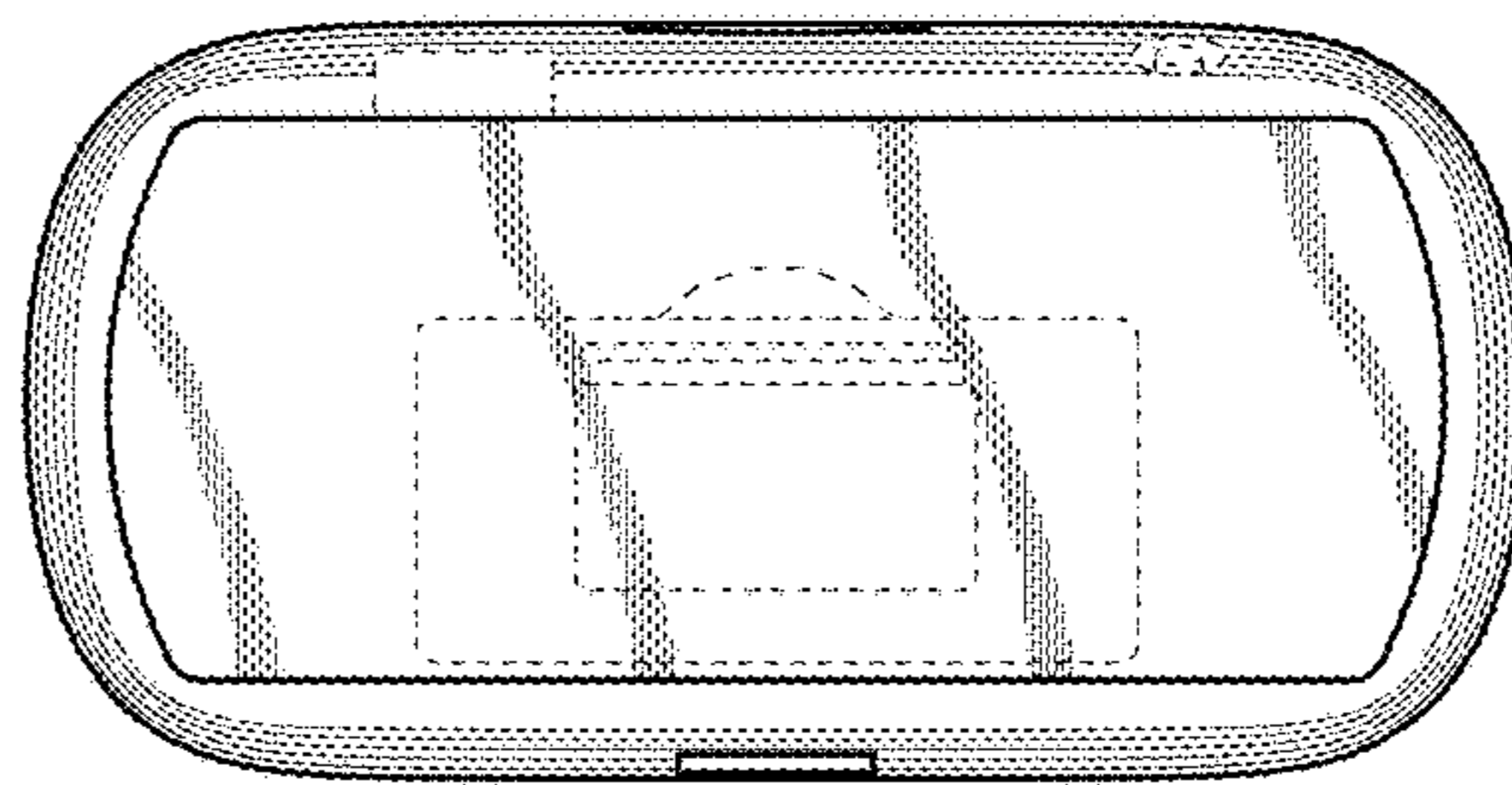


Fig.6

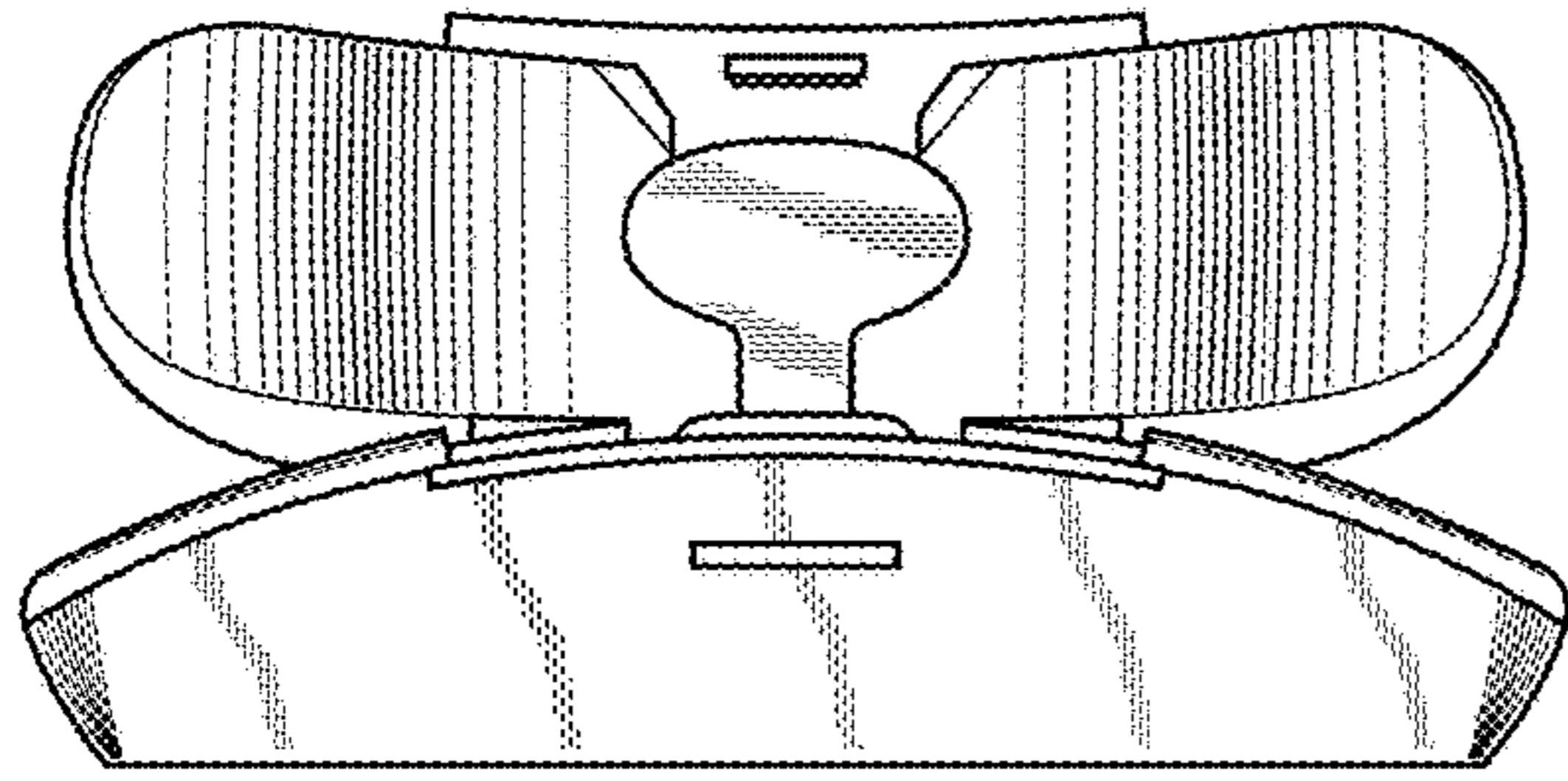


Fig.7

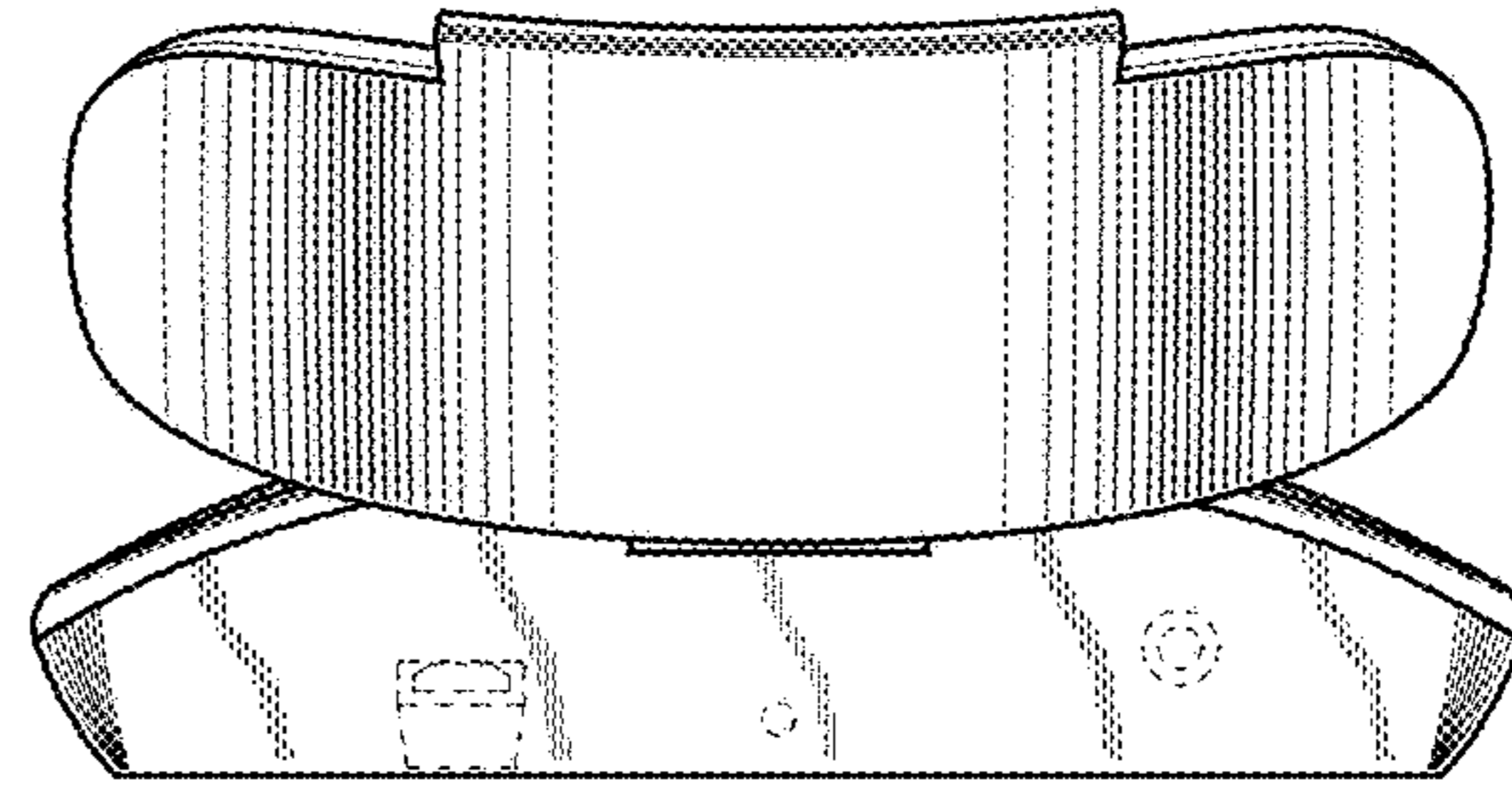


Fig.8

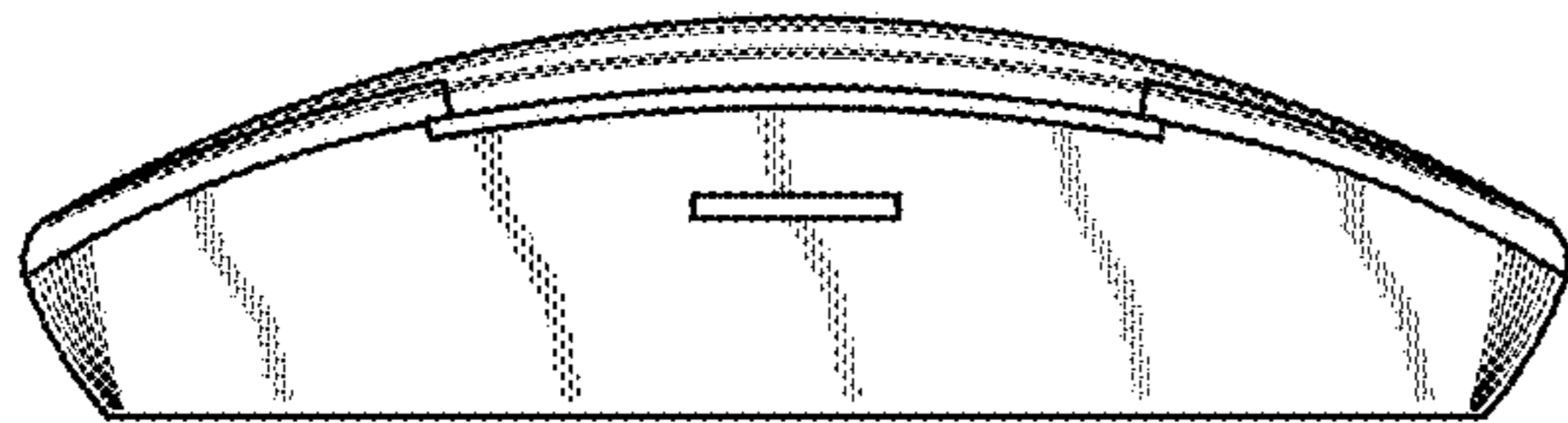


Fig.9

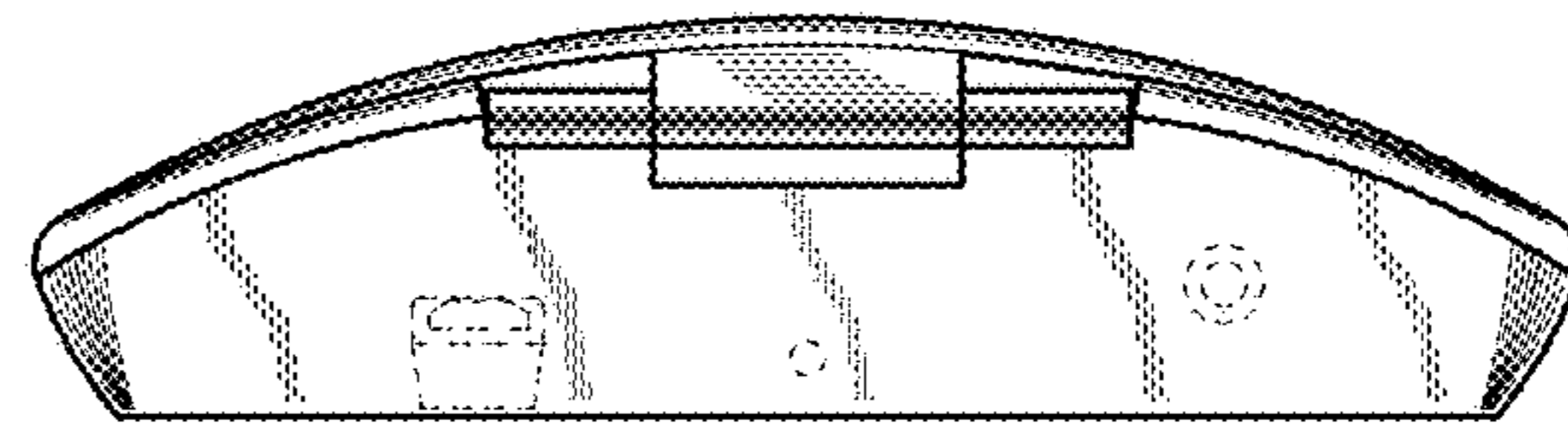


Fig.10

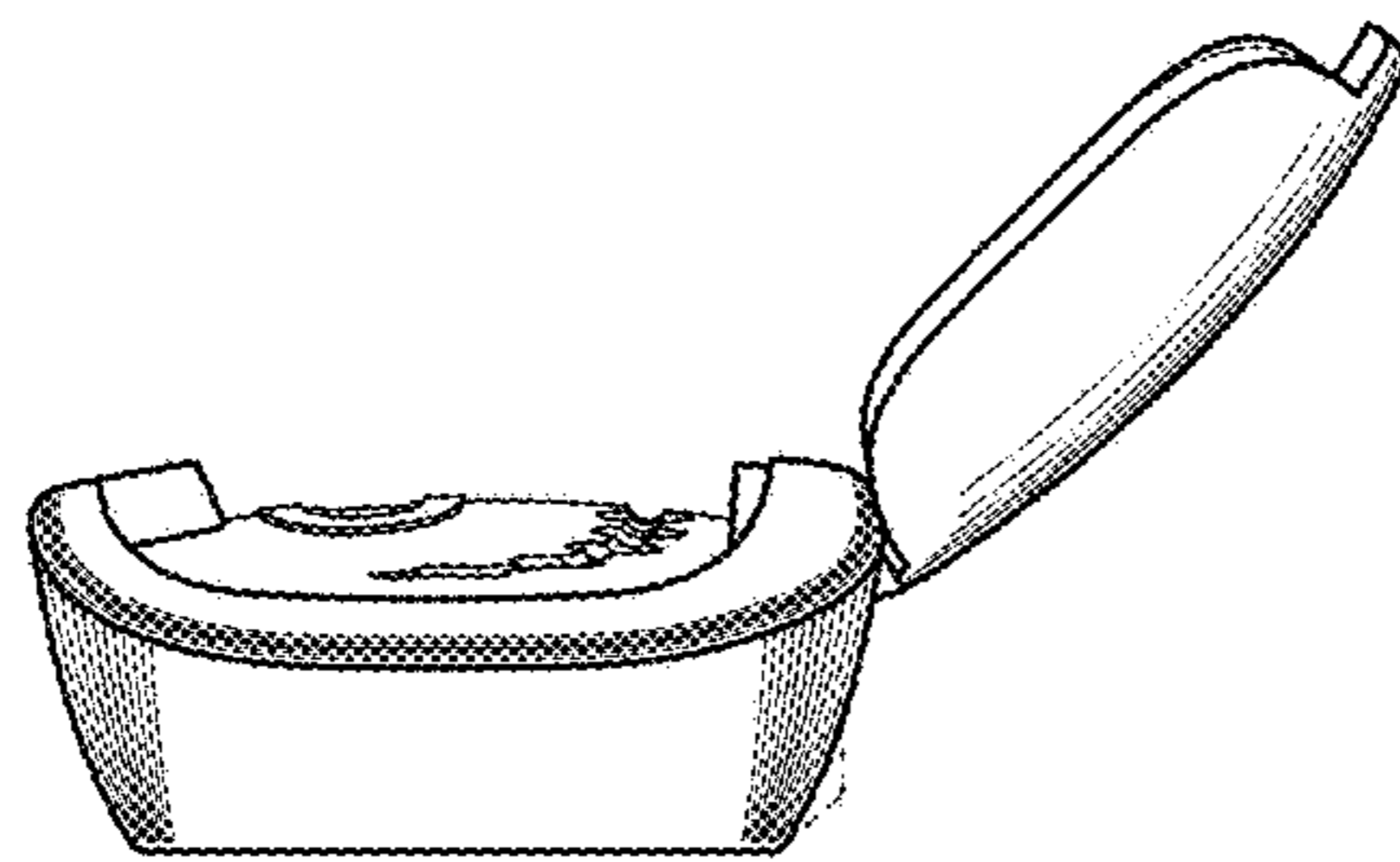


Fig.11

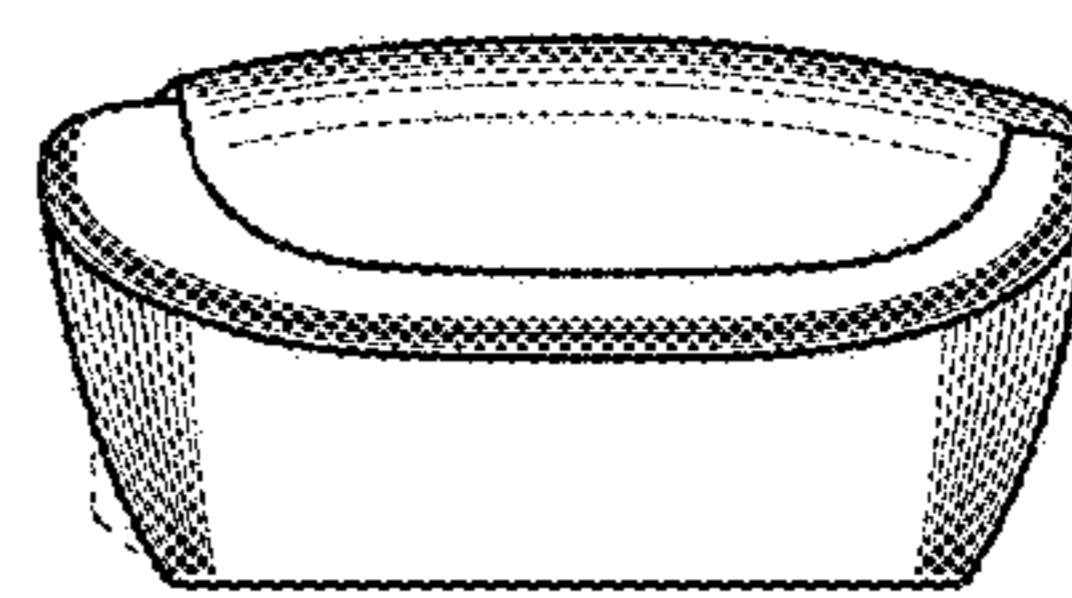


Fig.12