



US00D798169S

(12) **United States Design Patent** (10) **Patent No.:** **US D798,169 S**
Tinius (45) **Date of Patent:** **** Sep. 26, 2017**

(54) **MEASURING INSTRUMENTS, APPARATUS AND DEVICES, CHECKING DEVICES**

(71) Applicant: **Binder GmbH**, Tuttlingen (DE)

(72) Inventor: **Michael Tinius**, Elchingen (DE)

(73) Assignee: **Binder GmbH**, Tuttlingen (DE)

(**) Term: **15 Years**

(21) Appl. No.: **29/547,719**

(22) Filed: **Dec. 7, 2015**

(30) **Foreign Application Priority Data**

Jun. 8, 2015 (EM) 002 714 683-0002

(51) **LOC (10) Cl.** **10-04**

(52) **U.S. Cl.**

USPC **D10/64**; D10/65; D18/2

(58) **Field of Classification Search**

USPC D10/49, 50, 64, 65; D18/2; D13/123,
D13/133, 152, 154, 158, 162, 162.1, 177,
D13/184, 199

CPC B43L 7/02; B43L 7/027; B43L 7/0275;
B43L 7/033; B43L 7/10

See application file for complete search history.

(56) **References Cited**

U.S. PATENT DOCUMENTS

D651,685 S 1/2012 Honzelka
D667,804 S * 9/2012 Binder D13/199
D717,675 S * 11/2014 Lin D10/65

FOREIGN PATENT DOCUMENTS

CN 301308150 8/2010
CN 301334695 9/2010
CN 301335836 9/2010
CN 301335837 9/2010

EM 001058721-0001 12/2008
EM 001108625-0001 3/2009
EM 001108625-0002 3/2009
EM 01507492-0001 5/2009
EM 001899816-0001 8/2011
EM 02714683-0001 6/2015
EM 003165315-0001 6/2016
IN 222367 4/2009
IN 223937 7/2009
IN 224247 8/2009

(Continued)

OTHER PUBLICATIONS

Binder, "Binder Scientific, Product Highlights," 2012, document of 8 pages.

(Continued)

Primary Examiner — Antoine D Davis

(74) *Attorney, Agent, or Firm* — Akerman LLP; Peter A. Chiabotti

(57) **CLAIM**

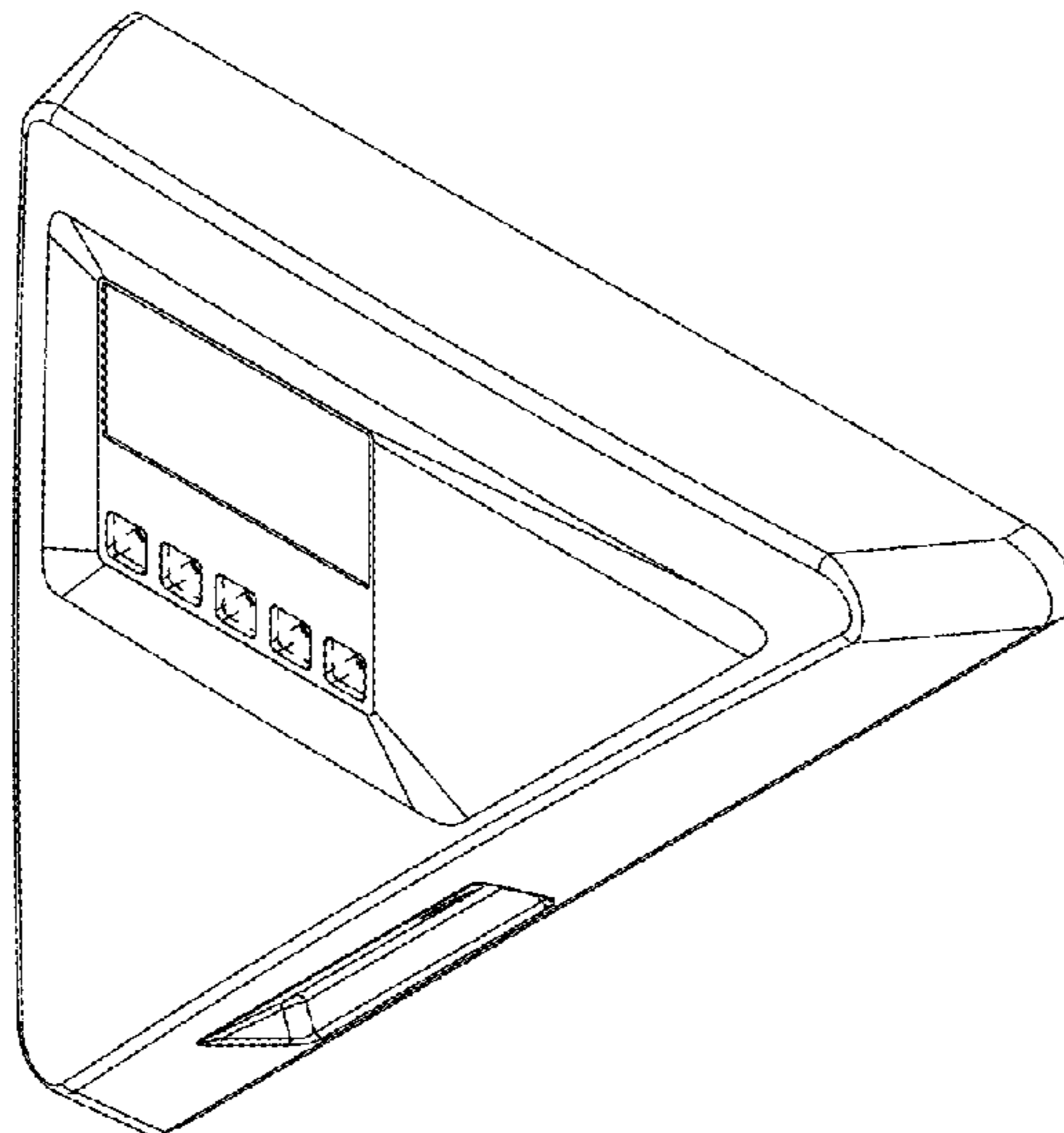
The ornamental design for measuring instruments, apparatus and devices, checking devices, as shown and described.

DESCRIPTION

FIG. 1 is a front view of the ornamental design;
FIG. 2 is a rear view of the ornamental design of FIG. 1;
FIG. 3 is a right side elevation view of the ornamental design of FIG. 1;
FIG. 4 is a left side elevation view of the ornamental design of FIG. 1;
FIG. 5 is a bottom view of the ornamental design of FIG. 1;
FIG. 6 is a top view of the ornamental design of FIG. 1; and,
FIG. 7 is a perspective view of the ornamental design of FIG. 1.

The portions shown in broken lines form no part of the claimed design.

1 Claim, 7 Drawing Sheets



(56)

References Cited

FOREIGN PATENT DOCUMENTS

IN	224248	8/2009
JP	1383200	3/2010
JP	1411257	4/2011
RU	74735	5/2010
RU	75107	6/2010
RU	77227	1/2011

OTHER PUBLICATIONS

Binder, "Binder Scientific, Product Catalog," 2011, document of 148 pages.

Binder, "The Right Oven For Every Application" 2012, product flyer, document of 2 pages.

Binder, "Perfect Climes, Make Binder Your Ovens and Incubators Destination," advertisement, document of 1 page.

EUIPO, "Abstract of European Union Trademark Application No. 007597149, filed Feb. 12, 2009," document of 5 pages.

EUIPO, "Abstract of European Union Trademark Application No. 007597263, filed Feb. 12, 2009," document of 5 pages.

EUIPO, "Abstract of European Union Trademark Application No. 008289407, filed May 8, 2009," document of 4 pages.

USPTO, "TESS Status Report for U.S. Trademark Registration No. 3,979,936, dated Jun. 21, 2011," document of 2 pages.

USPTO, "TESS Status Report for U.S. Trademark Registration No. 3,895,928, dated Dec. 28, 2010," document of 2 pages.

USPTO, "TESS Status Report for U.S. Trademark Registration No. 3,979,937, dated Jun. 21, 2011," document of 2 pages.

USPTO, TESS Status Report for of U.S. Trademark Registration No. 4,481,324, dated Feb. 11, 2017, document of 2 pages.

USPTO, TESS Status Report for of U.S. Trademark Registration No. 2,606,702, dated Aug. 13, 2002, document of 2 pages.

* cited by examiner

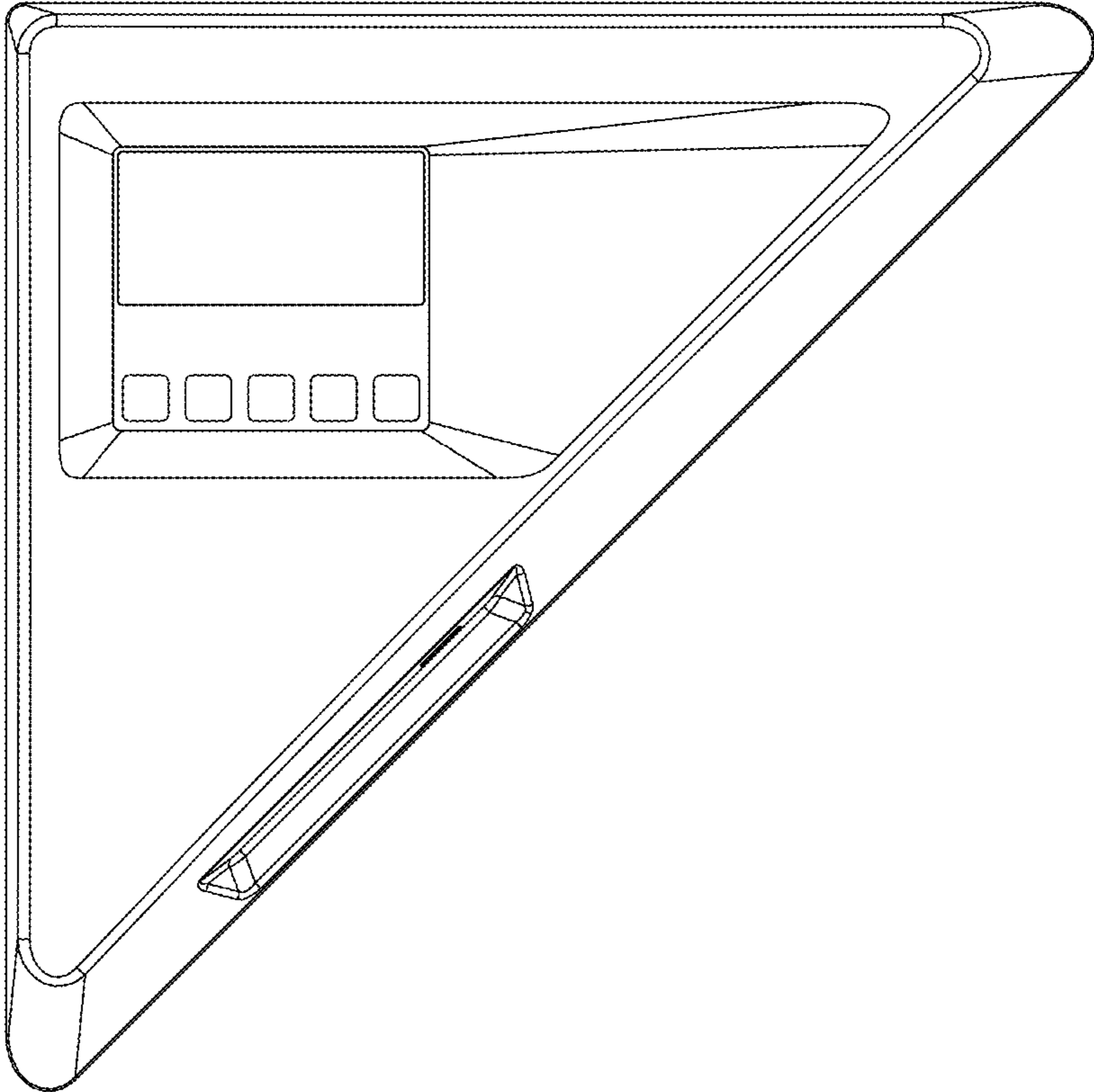


Figure 1

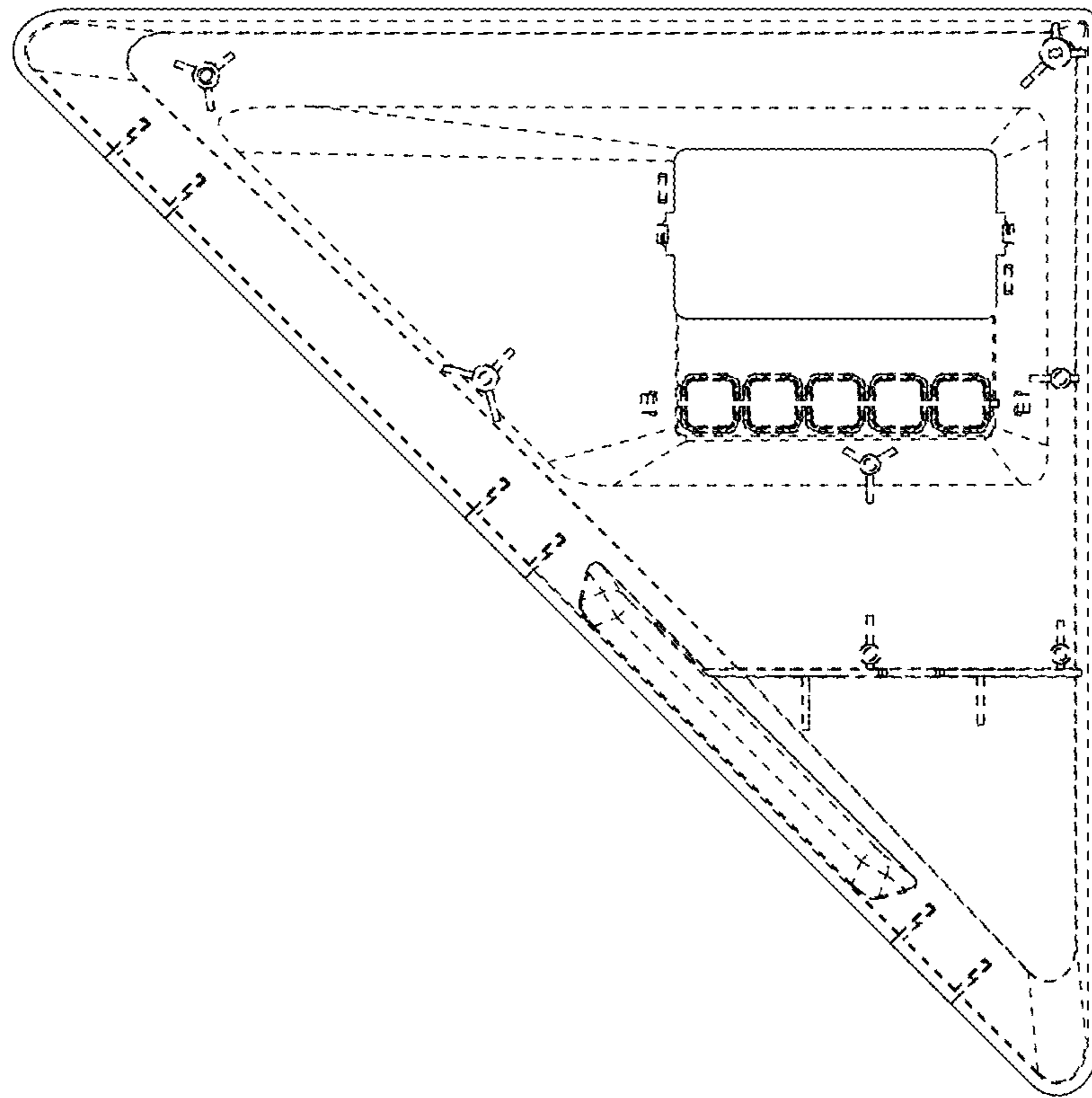


Figure 2

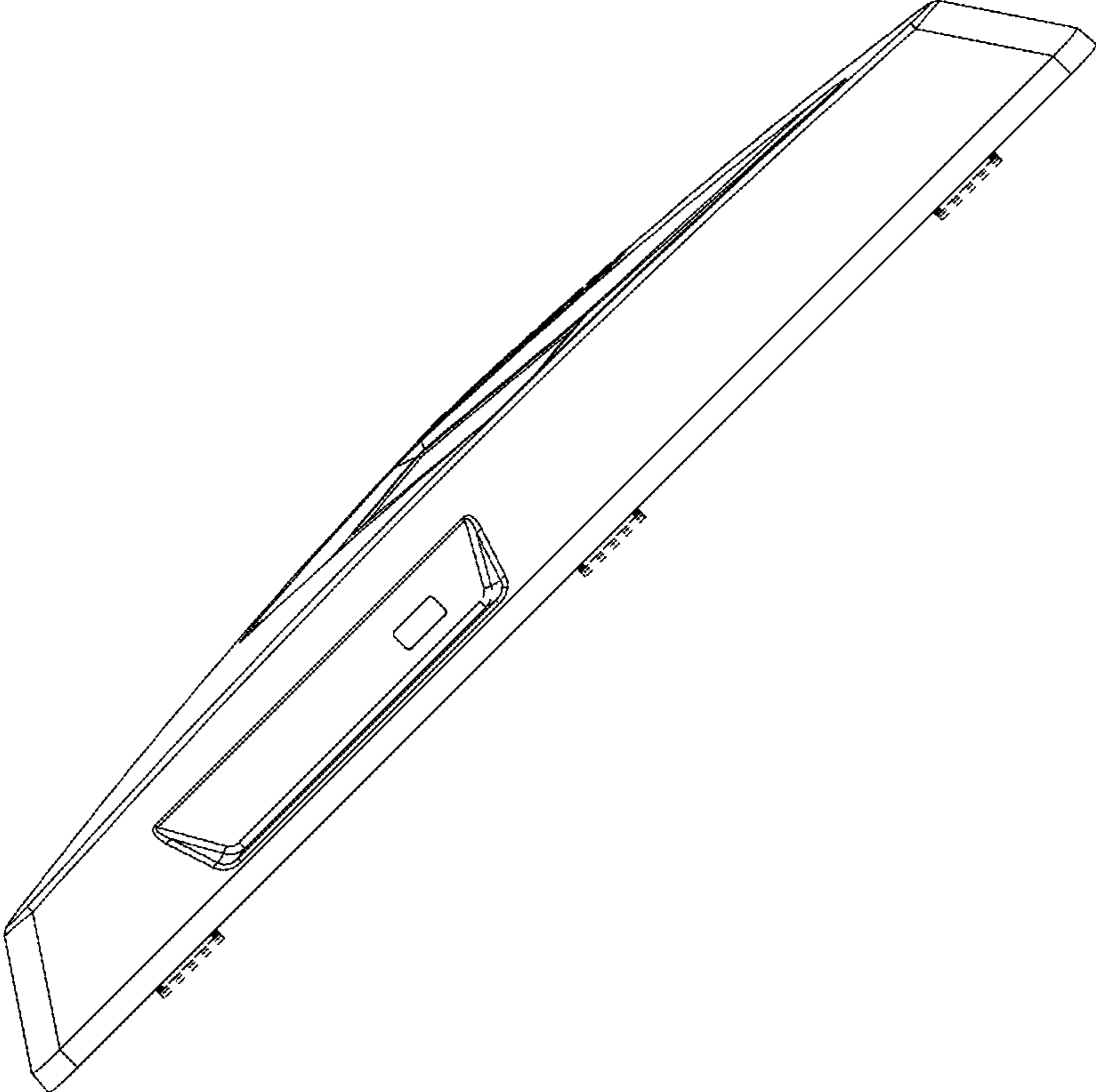


Figure 3

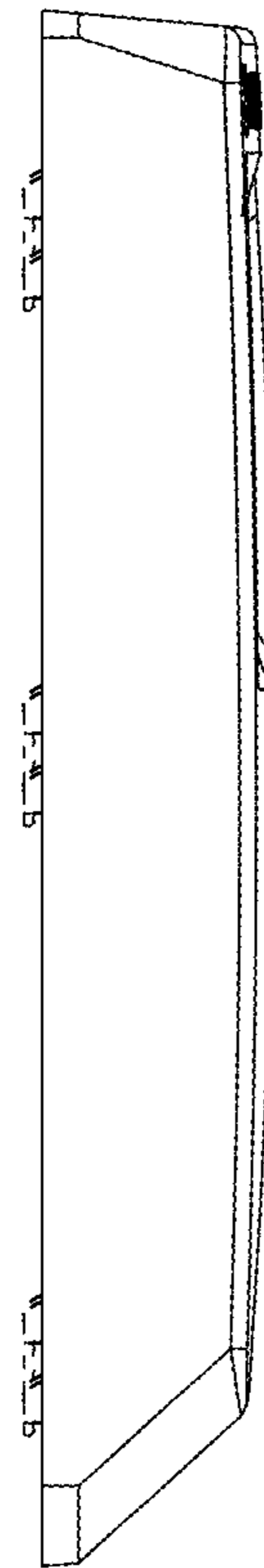


Figure 4

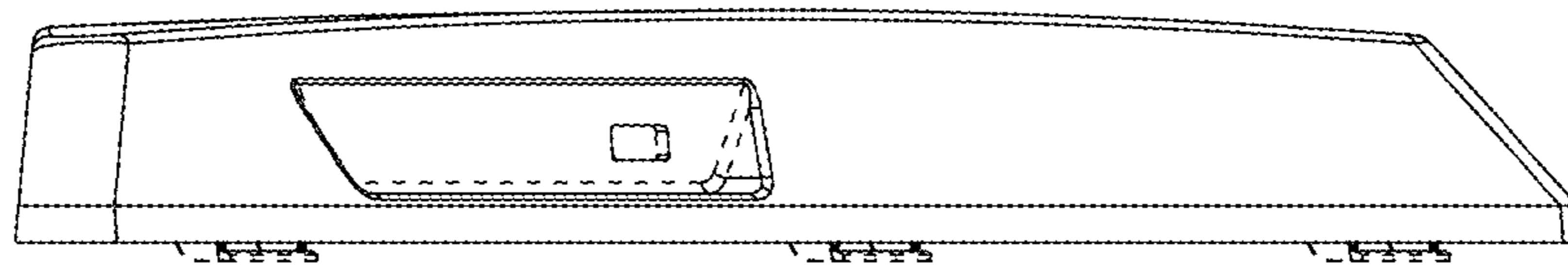


Figure 5

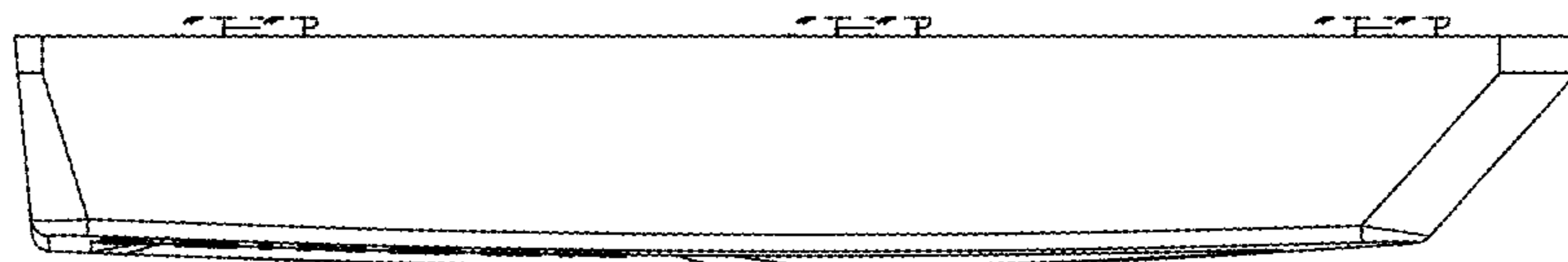


Figure 6

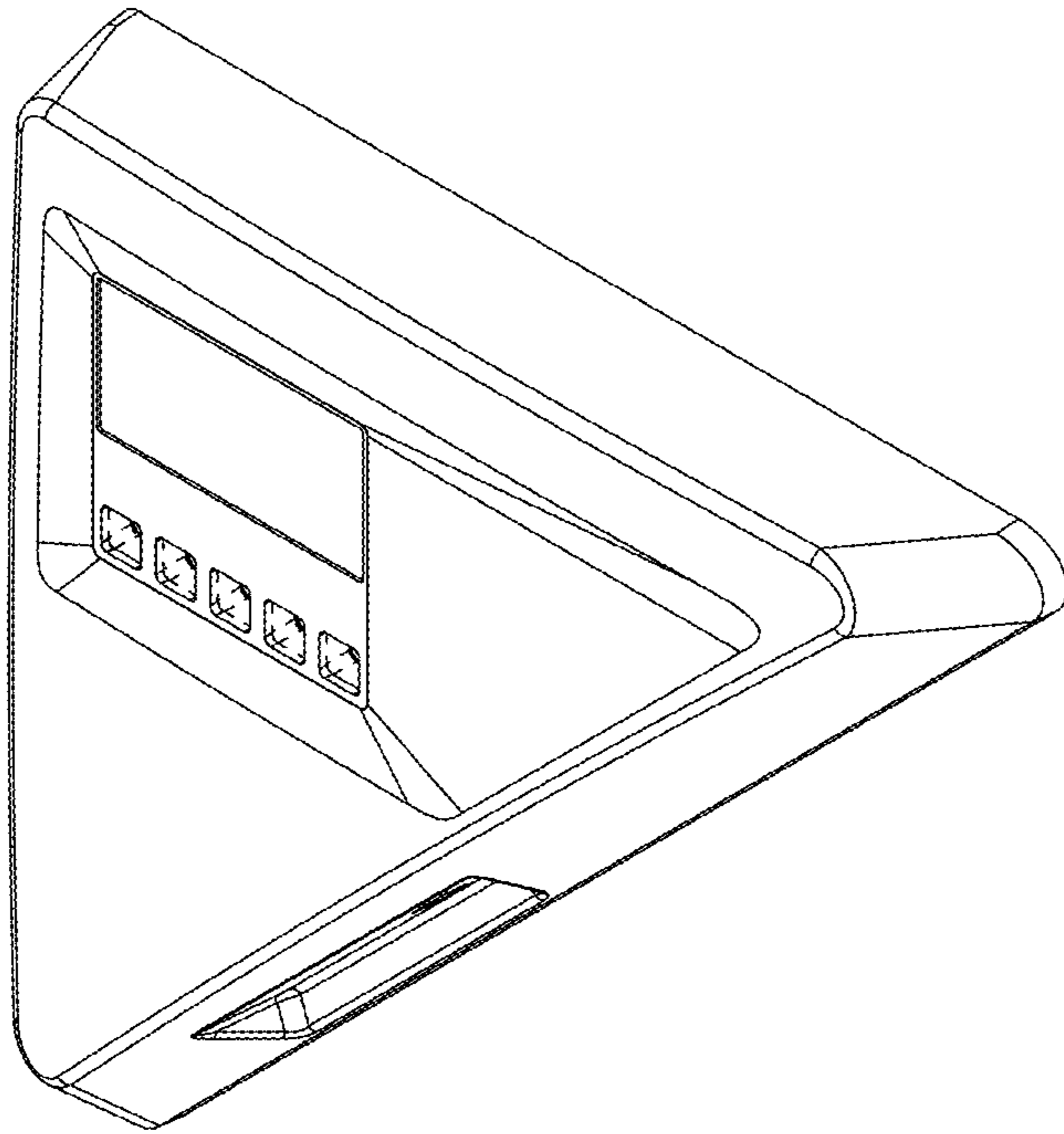


Figure 7