



US00D798168S

(12) **United States Design Patent**
Laucella

(10) **Patent No.:** **US D798,168 S**

(45) **Date of Patent:** **** Sep. 26, 2017**

(54) **WATCH**

(71) Applicant: **MONTRES BREGUET S.A.**,
L'Abbaye (CH)

(72) Inventor: **Vincent Laucella**, La Brassus (CH)

(73) Assignee: **MONTRES BREGUET S.A.**,
L'Abbaye (CH)

(**) Term: **15 Years**

(21) Appl. No.: **29/572,869**

(22) Filed: **Aug. 1, 2016**

(30) **Foreign Application Priority Data**

Feb. 1, 2016 (WO) DM/089 203

(51) **LOC (10) Cl.** **10-02**

(52) **U.S. Cl.**
USPC **D10/30**

(58) **Field of Classification Search**

USPC D10/1-39, 122-132

CPC G04B 17/00; G04B 17/02; G04B 17/005;

G04B 17/285; G04B 37/00; G04B 37/00;

G04B 37/0058; G04B 45/00; G04B

45/02; G04B 45/038; G04B 45/0069;

G04B 45/0076; G04B 29/00

See application file for complete search history.

(56) **References Cited**

U.S. PATENT DOCUMENTS

D573,902 S * 7/2008 Modolo D10/39

D637,106 S * 5/2011 Babyak D11/1

D650,708 S * 12/2011 Laucella D10/39
D650,709 S * 12/2011 Duport D10/39
D655,631 S * 3/2012 Ruefenacht D10/39
D679,199 S * 4/2013 Mille D10/39
D710,714 S * 8/2014 Monachon D10/39
D727,754 S * 4/2015 Laucella D10/39
D732,413 S * 6/2015 Sirmakes D10/123
D766,743 S * 9/2016 Laucella D10/30
D767,417 S * 9/2016 Laucella D10/39

* cited by examiner

Primary Examiner — Sheryl Lane

Assistant Examiner — Calvin E Vansant

(74) *Attorney, Agent, or Firm* — Donald J. Ranft; Collen IP

(57) **CLAIM**

The ornamental design for a watch, as shown.

DESCRIPTION

FIG. 1 is a front right perspective view of a watch showing my new design;

FIG. 2 is a rear left perspective view thereof;

FIG. 3 is a front view thereof;

FIG. 4 is a rear view thereof;

FIG. 5 is a left side view thereof;

FIG. 6 is a right side view thereof;

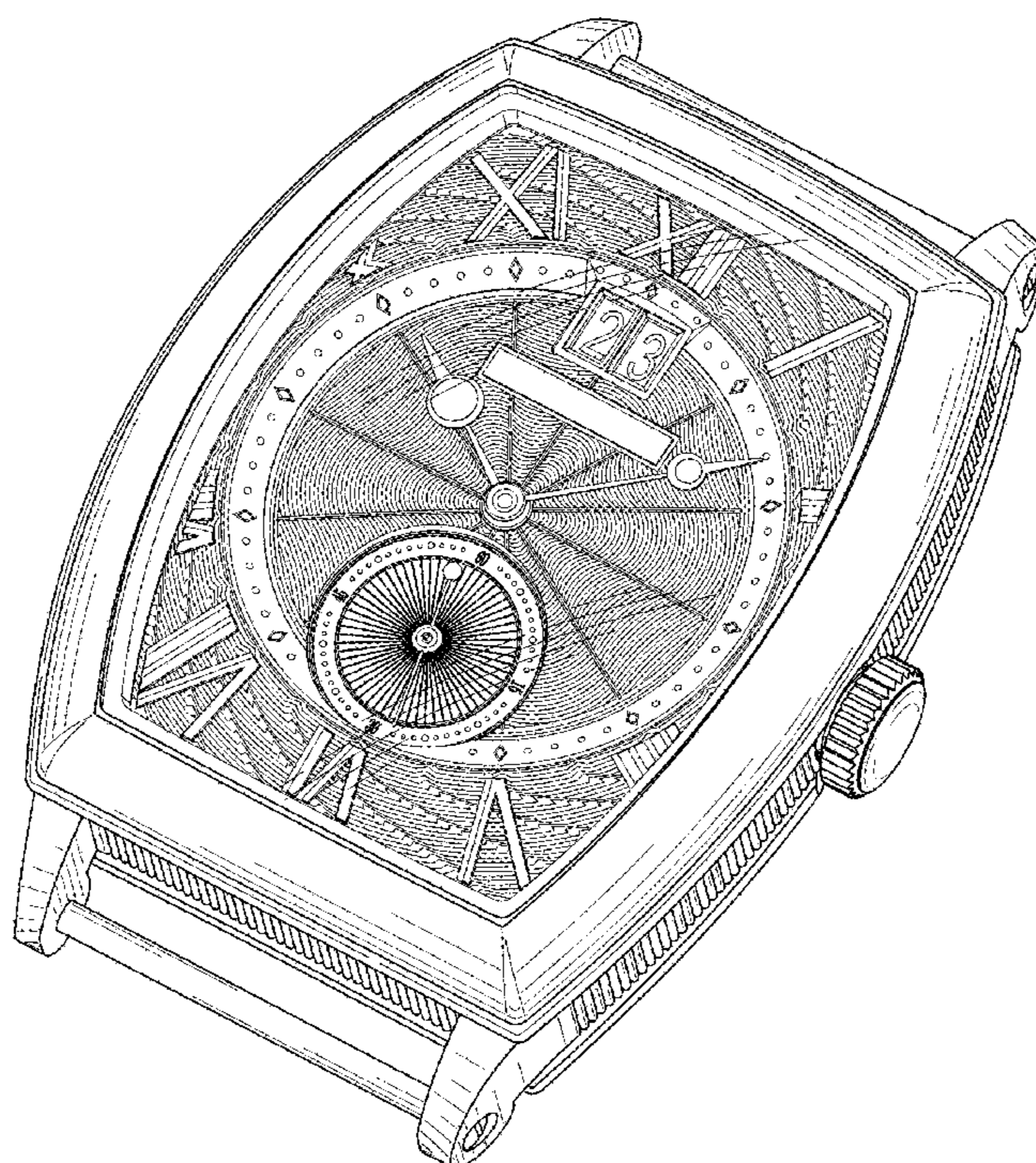
FIG. 7 is a top view thereof;

FIG. 8 is a bottom view thereof;

FIG. 9 is a front left perspective view thereof; and,

FIG. 10 is a rear right perspective view thereof.

1 Claim, 8 Drawing Sheets



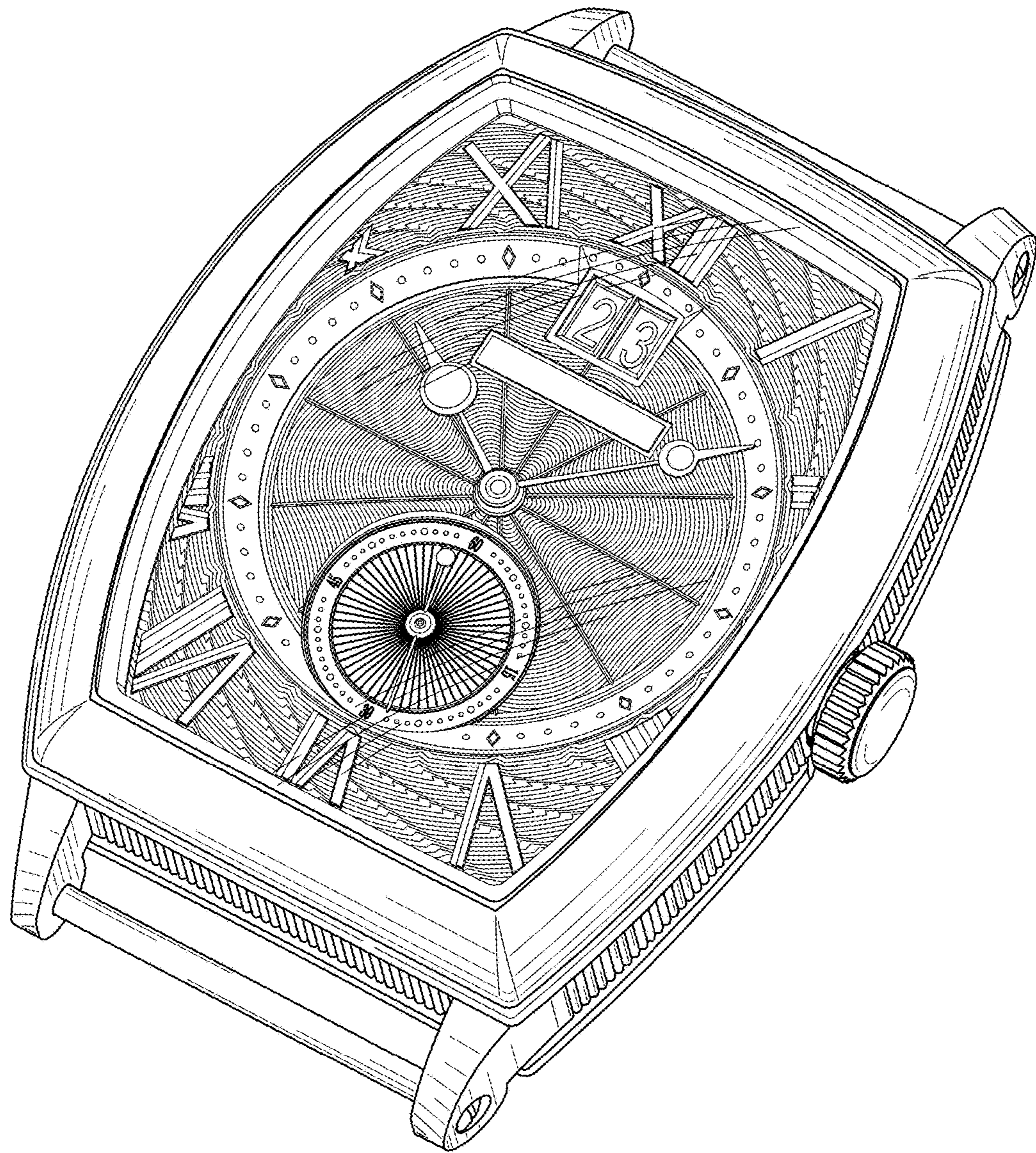


FIG. 1

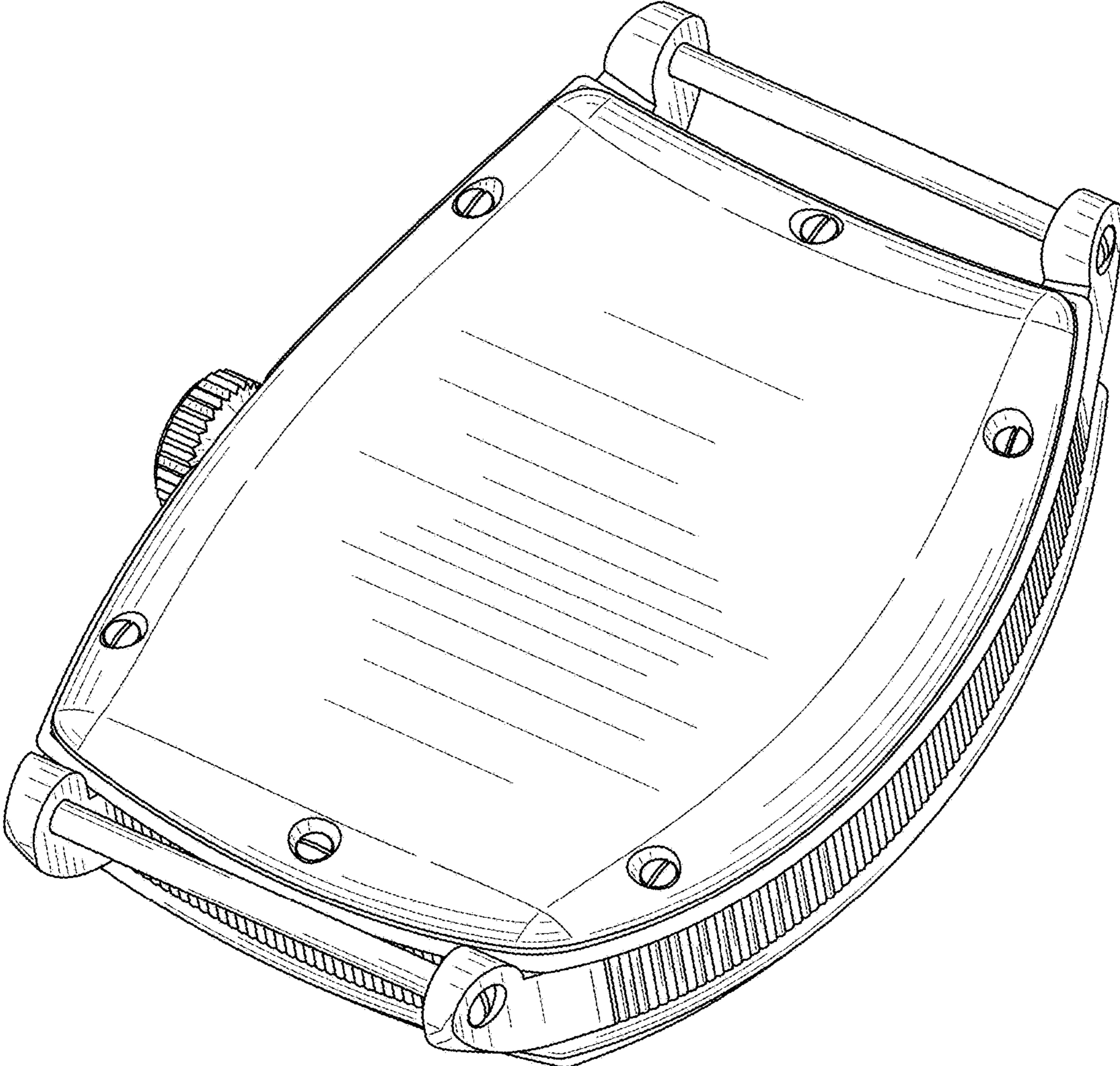


FIG. 2

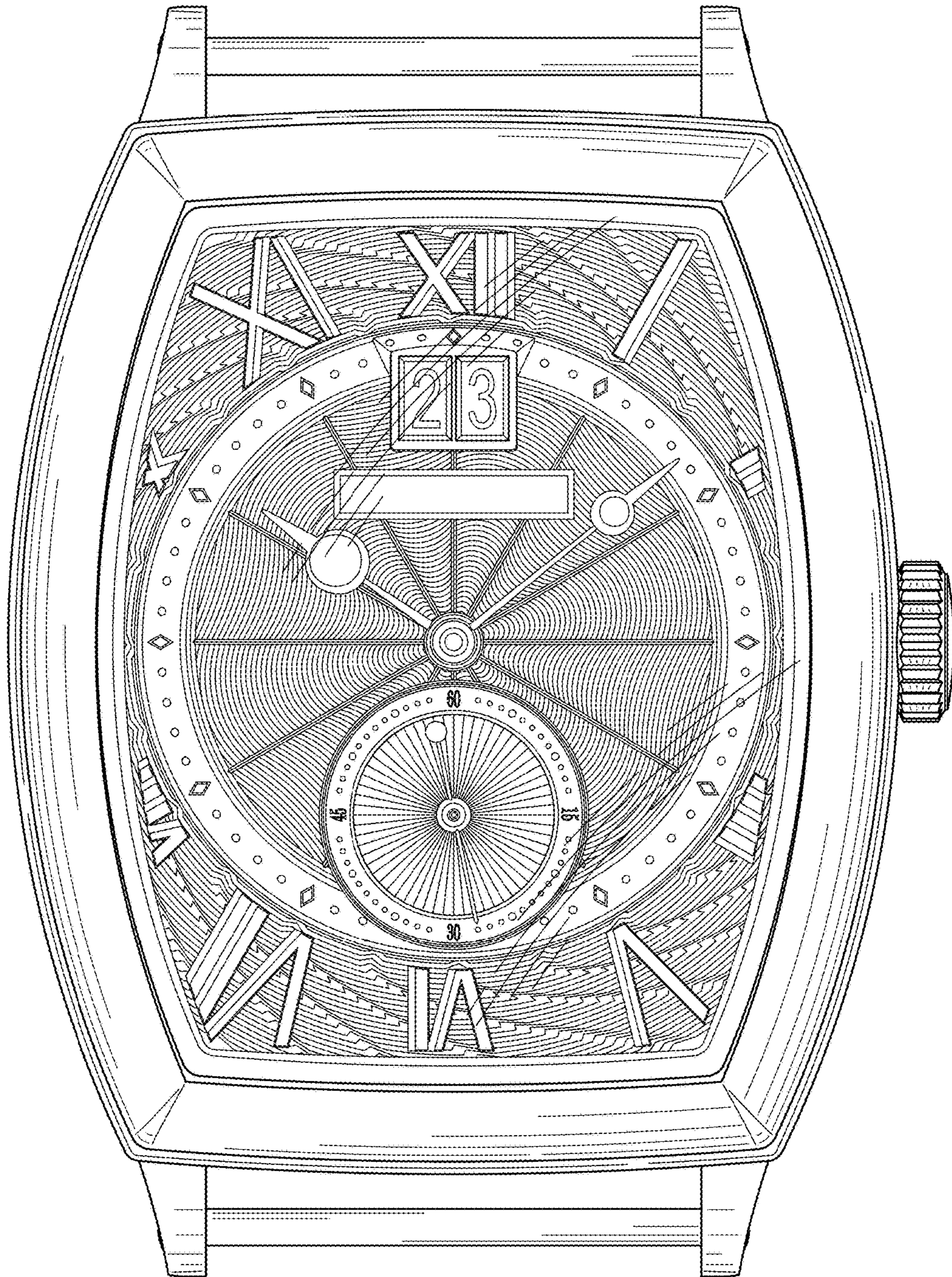


FIG. 3

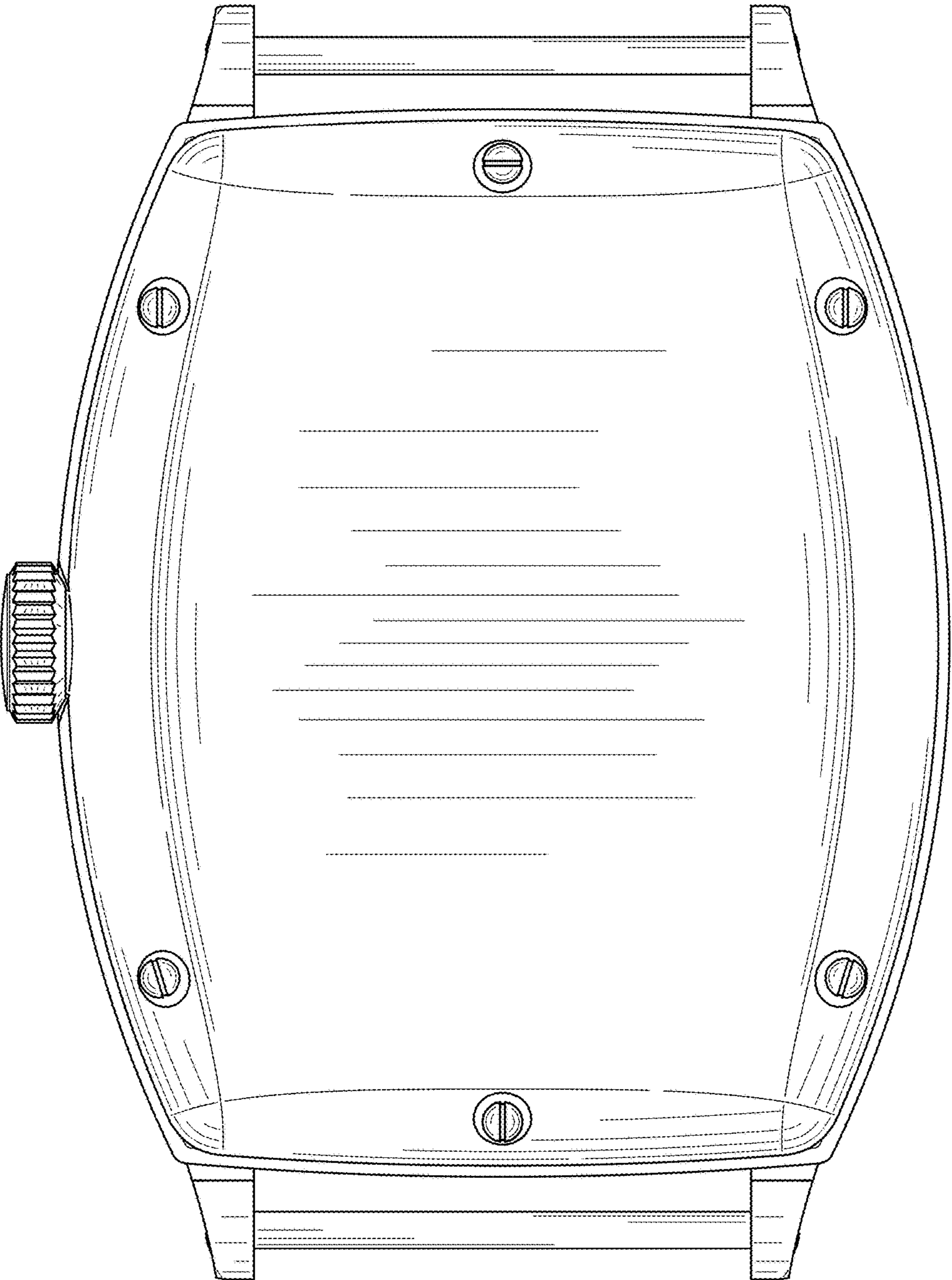


FIG. 4

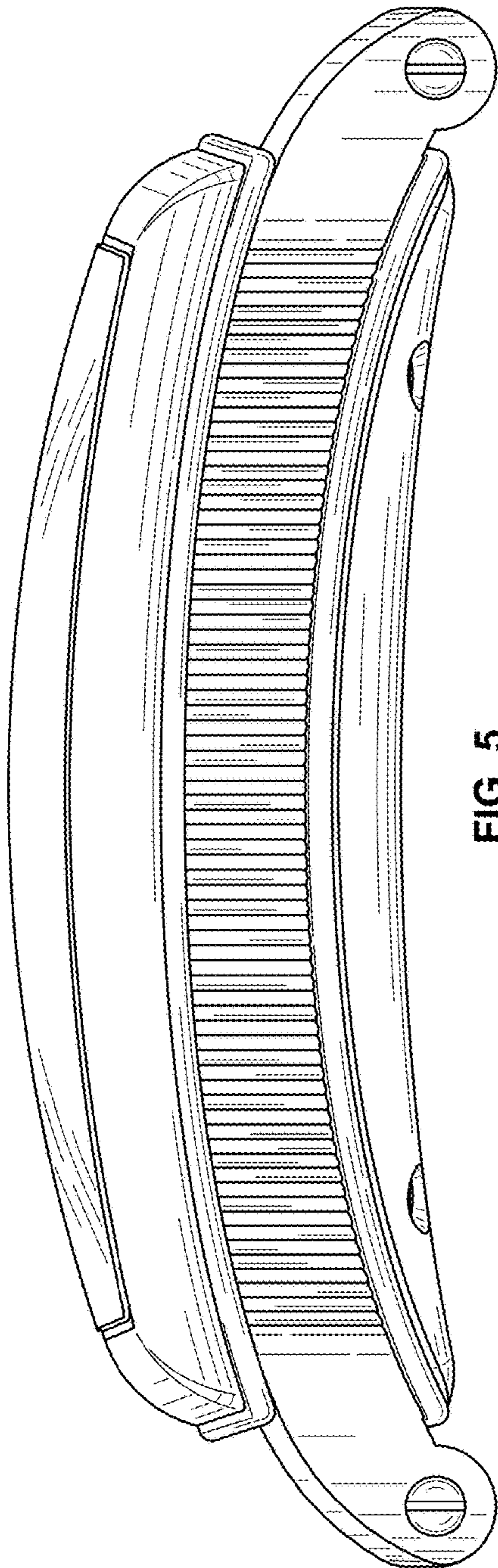


FIG. 5

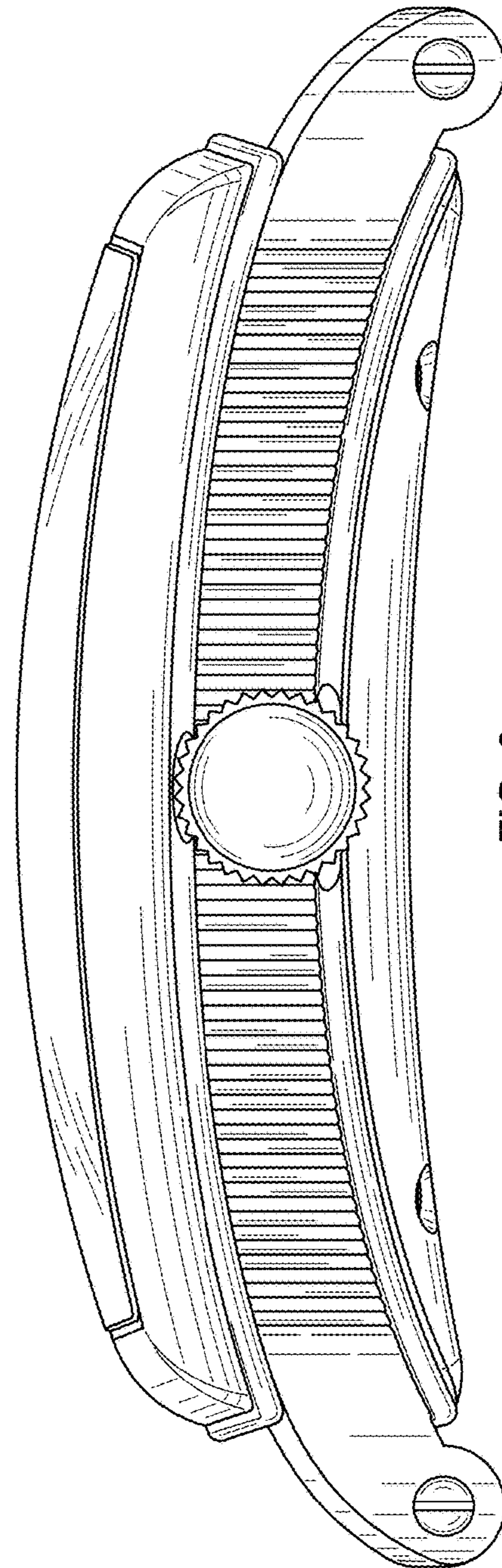


FIG. 6

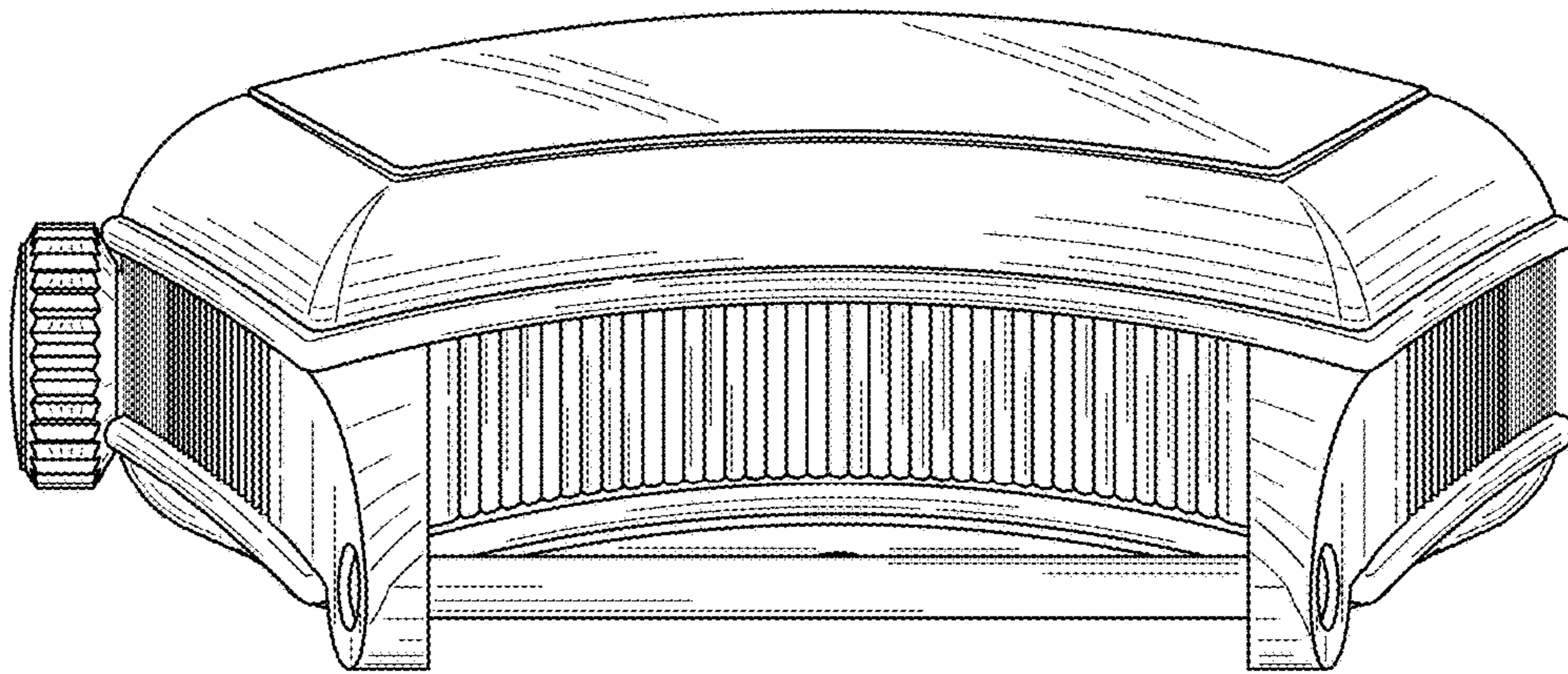


FIG. 7

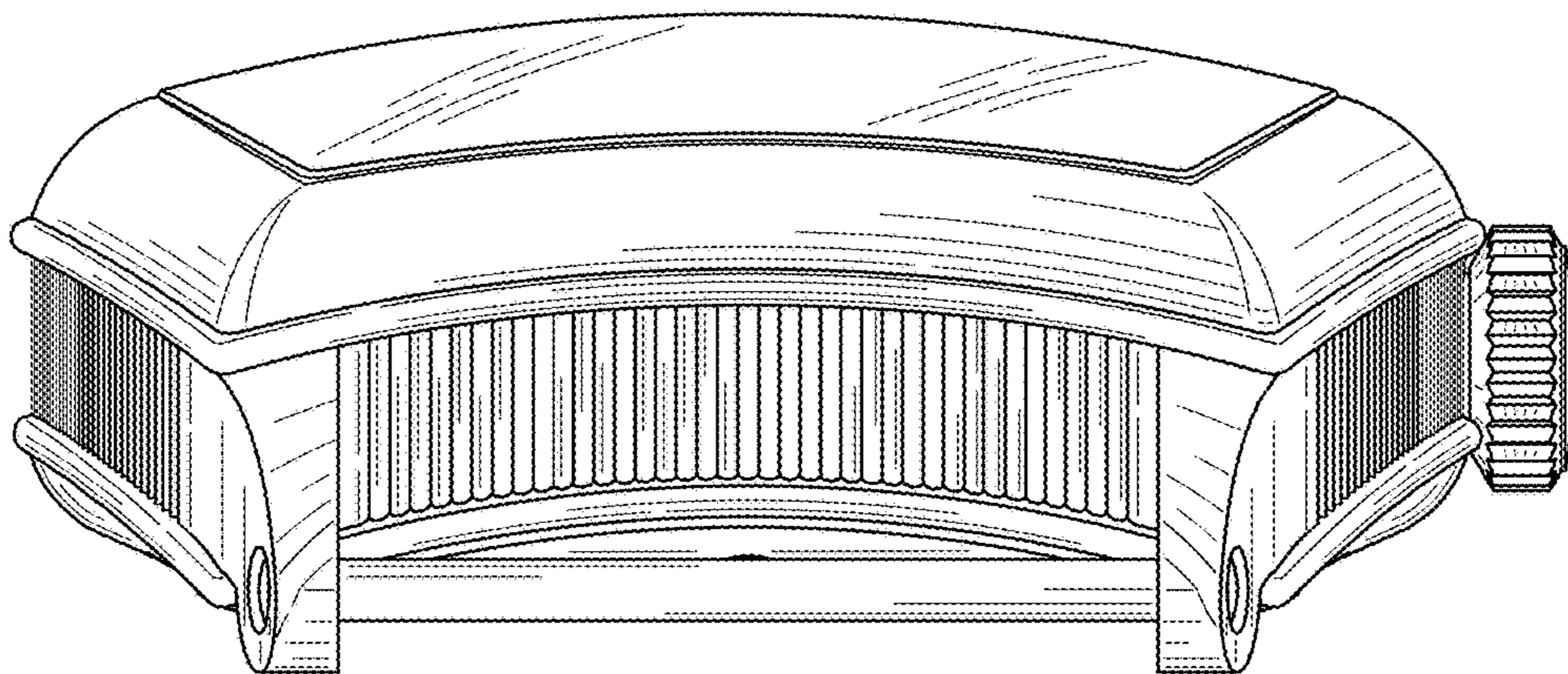


FIG. 8

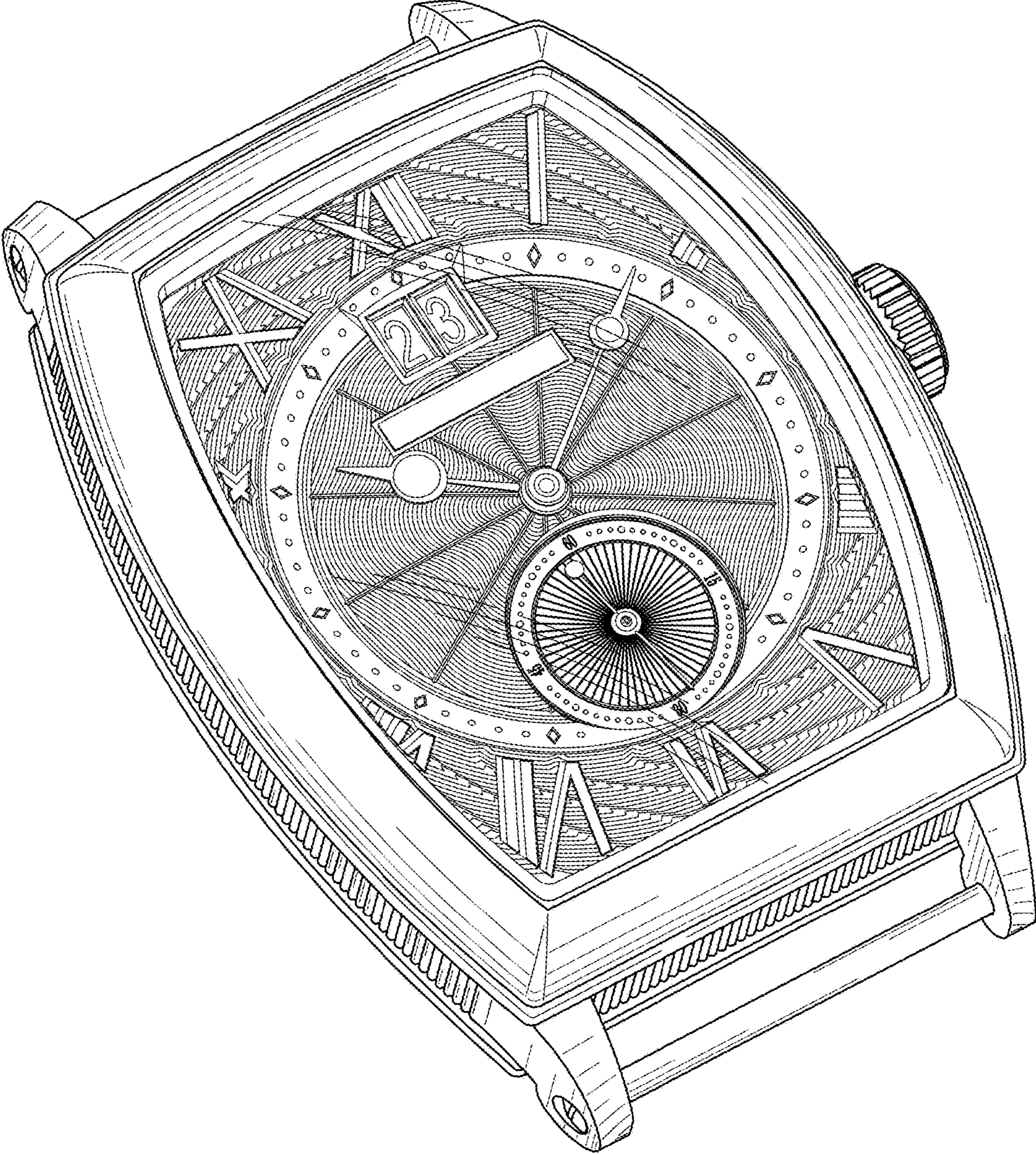


FIG. 9

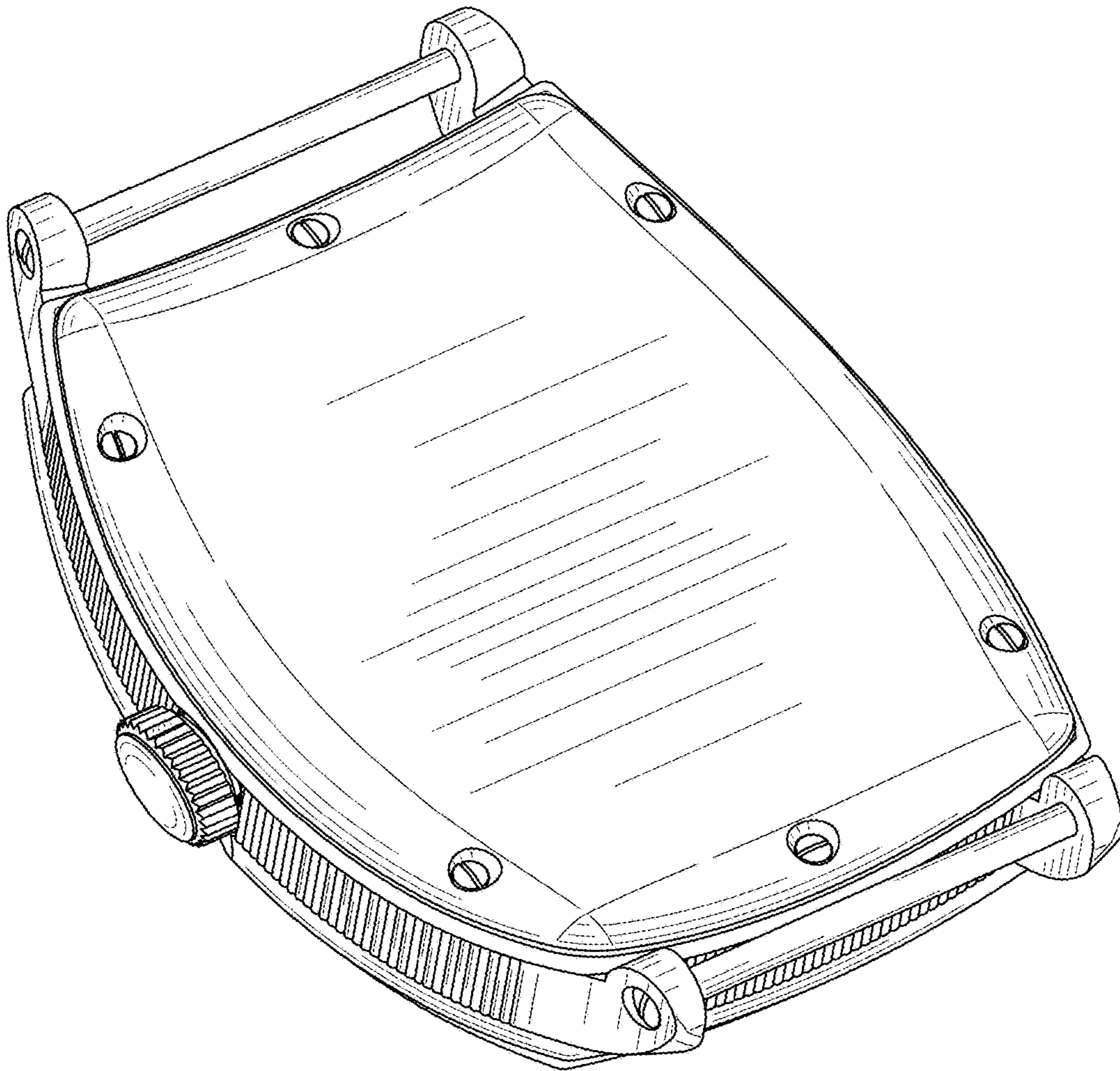


FIG. 10