



US00D798167S

(12) **United States Design Patent** (10) **Patent No.:** **US D798,167 S**  
**Bennett** (45) **Date of Patent:** **\*\* Sep. 26, 2017**

(54) **FIVE-PARTITION CONTAINER FOR EGGS AND COMESTIBLES**

(71) Applicant: **Ronald Bennett**, Booneville, IN (US)

(72) Inventor: **Ronald Bennett**, Booneville, IN (US)

(\*\*) Term: **15 Years**

(21) Appl. No.: **29/573,412**

(22) Filed: **Aug. 5, 2016**

(51) **LOC (10) Cl.** ..... **09-03**

(52) **U.S. Cl.**  
USPC ..... **D9/762**

(58) **Field of Classification Search**

USPC ..... D9/341, 347, 414-432, 440, 444, 447, D9/449, 450-454, 503, 504, 737, 759, D9/761; D7/672, 601, 550.1, 551.1, D7/551.2, 551.3, 552.1, 552.2, 553.1, D7/553.2, 553.3, 553.4, 553.5, 553.7, D7/553.8, 554.1, 554.3, 555, 557, 602, D7/629, 630, 538-542, 612-615, 584, D7/586, 587, 392.1, 709, 608, 622, 701, D7/703, 543-549, 317-319, 391, 392, D7/396.2, 510, 511; D3/273, 201-206, D3/276, 283, 284, 295, 274, 302; 229/107, 406, 120, 125.17; 220/669-673, 220/675, 574, 575, 573.1, 4.21, 660, 326, 220/236, 780-806, 4.24, 288, 260, 266, 220/306, 352, 356, 523, 23.8, 23.2, 23.83, 220/23.4, 662, 792-799, 700, 805, 701, 220/703, 711, 713-715, 719; 426/106; 206/216, 217, 541-550, 518, 557, 558, 206/561, 564, 223, 467; 215/211, 200, 215/224, 243; D11/143; 249/126, 134  
CPC ..... A47G 19/00; A47G 19/02; B65D 1/34; B65D 21/00; B65D 1/00; B65D 21/0204

See application file for complete search history.

(56) **References Cited**

U.S. PATENT DOCUMENTS

D285,638	S	*	9/1986	Trivison	.....	D7/557
5,593,062	A	*	1/1997	Martin	.....	A47G 19/065
						220/556
D419,869	S	*	2/2000	Loew	.....	D9/761
D426,110	S	*	6/2000	Schmidt	.....	D7/549
6,446,828	B1	*	9/2002	Casteel	.....	A47G 19/065
						220/23.83
6,752,288	B1	*	6/2004	Swift	.....	A47G 23/06
						220/551
D515,874	S	*	2/2006	Aalberts	.....	D7/590
D524,662	S	*	7/2006	Fager	.....	B65D 1/24
						D9/756
D546,127	S	*	7/2007	Vovan	.....	D7/552.2
D572,540	S	*	7/2008	Shew	.....	D7/629
D609,973	S	*	2/2010	Shew	.....	D7/540
D648,635	S	*	11/2011	Golota	.....	D9/424
D648,636	S	*	11/2011	Golota	.....	D9/424
D653,963	S	*	2/2012	Golota	.....	D9/737

(Continued)

*Primary Examiner* — Cathron Brooks

*Assistant Examiner* — Teddy Falloway

(74) *Attorney, Agent, or Firm* — C. John Brannon;  
Brannon Sowers & Cracraft PC

(57) **CLAIM**

The ornamental design for the five-partition container for eggs and comestibles, as shown and described.

**DESCRIPTION**

FIG. 1 is a front perspective view of a five-partition container for eggs and other comestibles showing my new design.

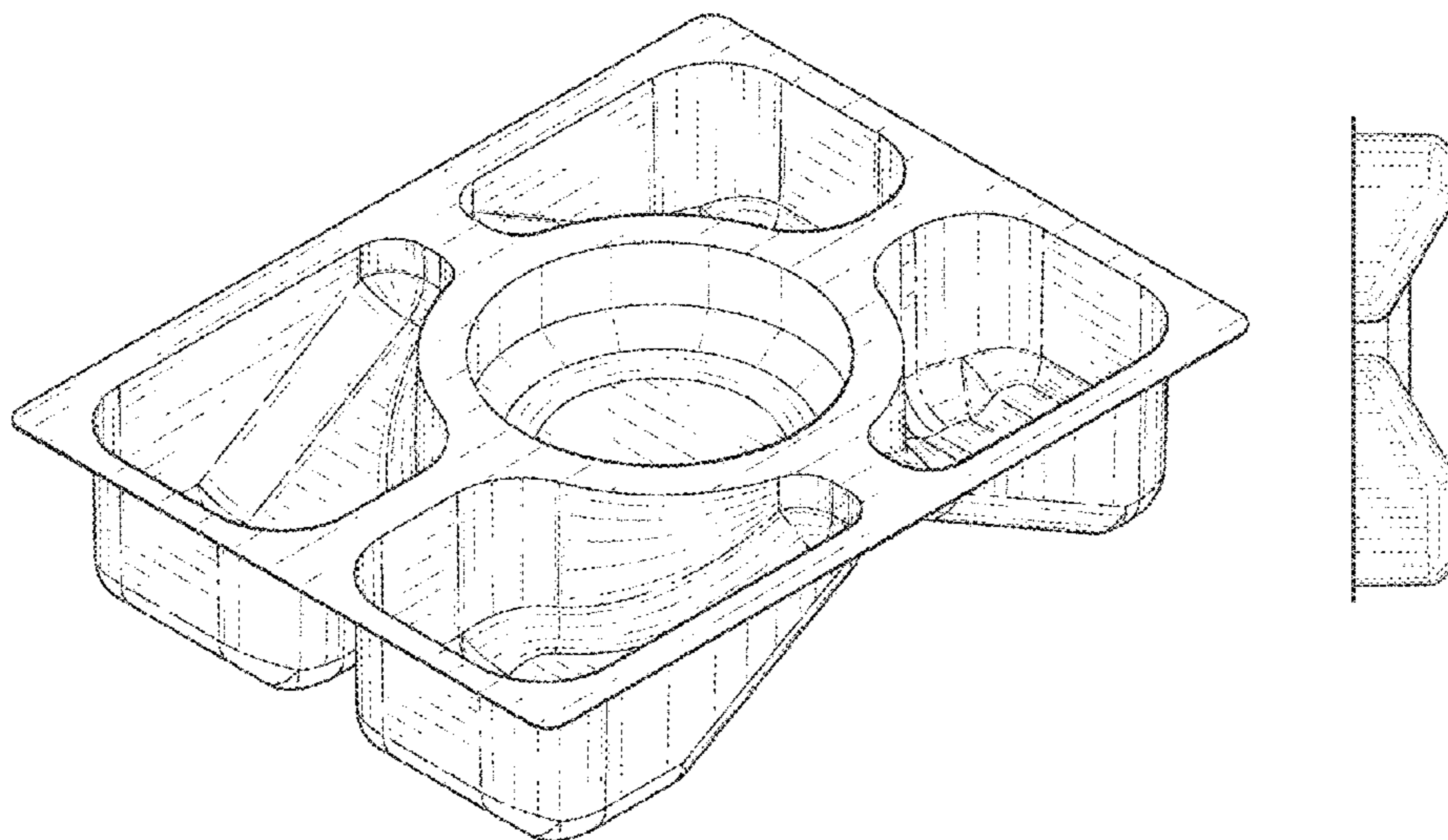
FIG. 2 is a top plan view thereof;

FIG. 3 is an end view thereof, with both ends being mirror images of one another;

FIG. 4 is a right side view thereof, with the left side being a mirror image; and,

FIG. 5 is a bottom plan view thereof.

**1 Claim, 2 Drawing Sheets**



(56)

References Cited

U.S. PATENT DOCUMENTS

D665,675	S *	8/2012	Wu	.....	D7/629
D695,077	S *	12/2013	Chase	.....	D7/555
D695,107	S *	12/2013	Clements	.....	D9/425
D698,665	S *	2/2014	Sifuentes	.....	D9/425
D698,666	S *	2/2014	Sifuentes	.....	D9/425
D698,667	S *	2/2014	Snedden	.....	D9/425
D701,567	S *	3/2014	Abdullah	.....	D19/77
D723,391	S *	3/2015	Snedden	.....	D9/425
D723,392	S *	3/2015	Sifuentes	.....	D9/425
D728,383	S *	5/2015	Sifuentes	.....	D9/425
D729,588	S *	5/2015	Breton	.....	D7/553.2
D731,248	S *	6/2015	Breton	.....	D7/553.2
D734,098	S *	7/2015	Breton	.....	D7/553.6
D737,633	S *	9/2015	Breton	.....	D7/553.6
D747,151	S *	1/2016	Liming	.....	D7/553.6
D754,480	S *	4/2016	Chen	.....	D7/509
2006/0280842	A1 *	12/2006	Moncavage	.....	B65D 21/0206 426/106
2010/0326878	A1 *	12/2010	Mangino	.....	B65D 1/36 206/561
2013/0140314	A1 *	6/2013	Pinotti	.....	B65D 21/0206 220/556
2016/0302597	A1 *	10/2016	Cross	.....	A47G 19/02

\* cited by examiner

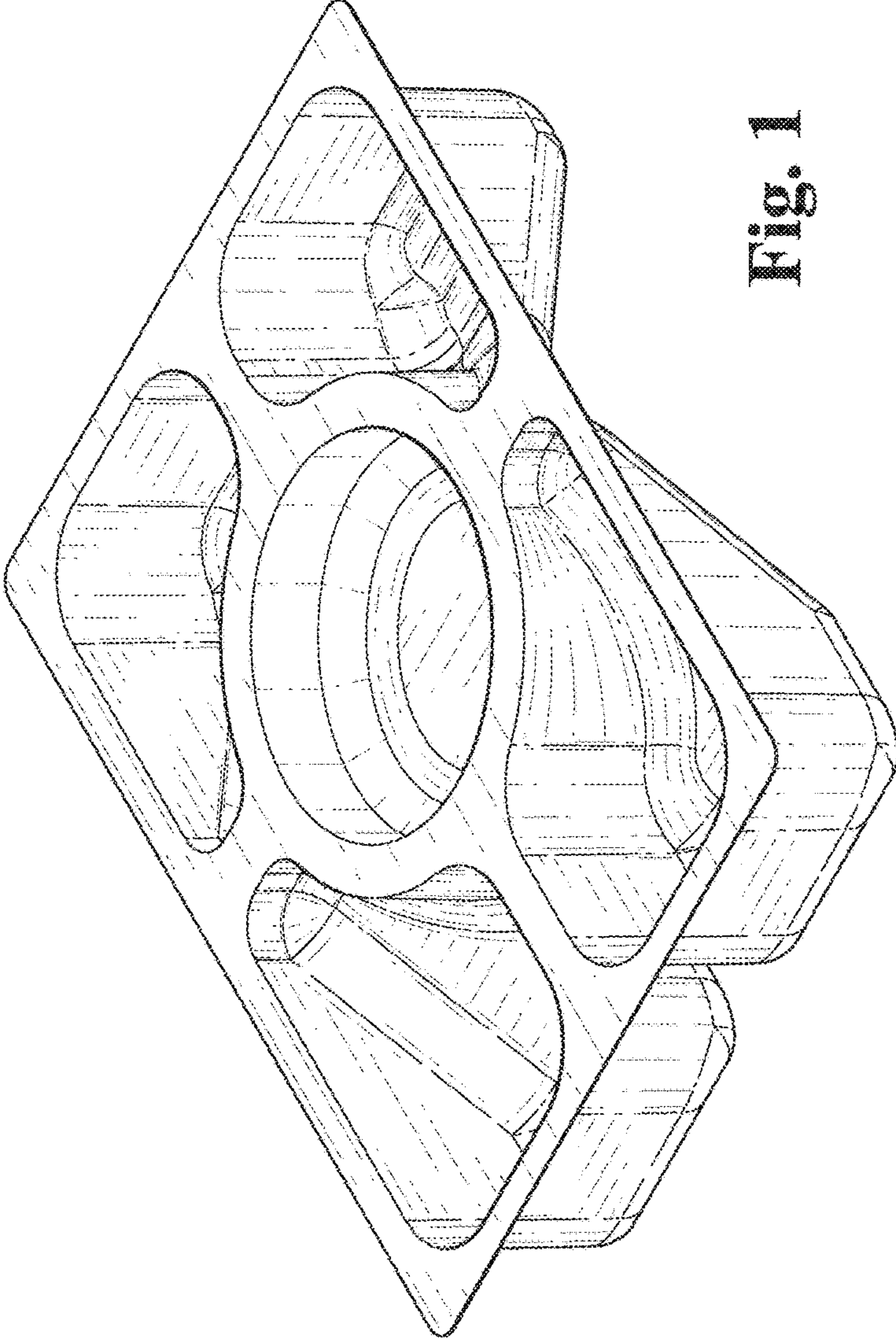


Fig. 1



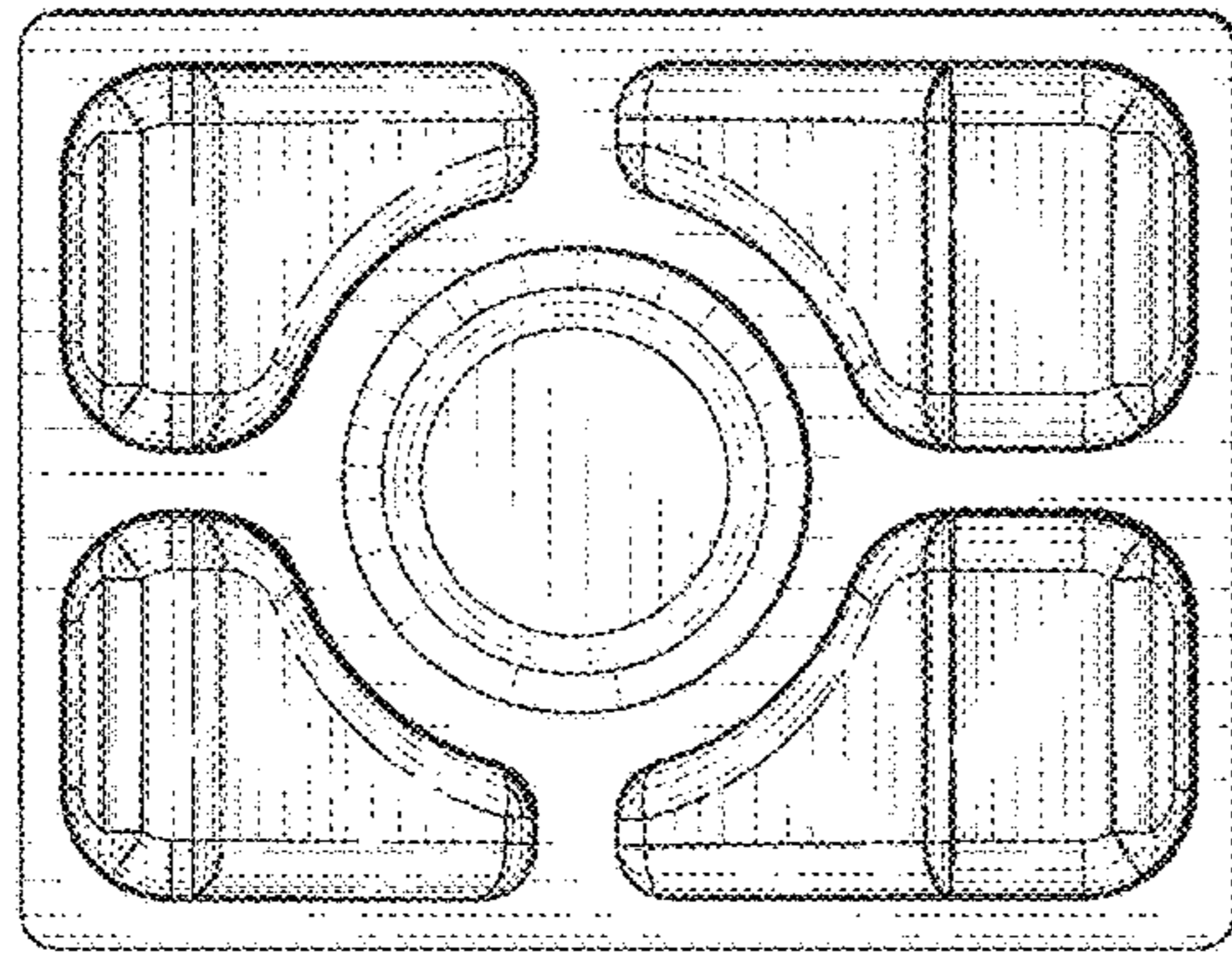


Fig. 5

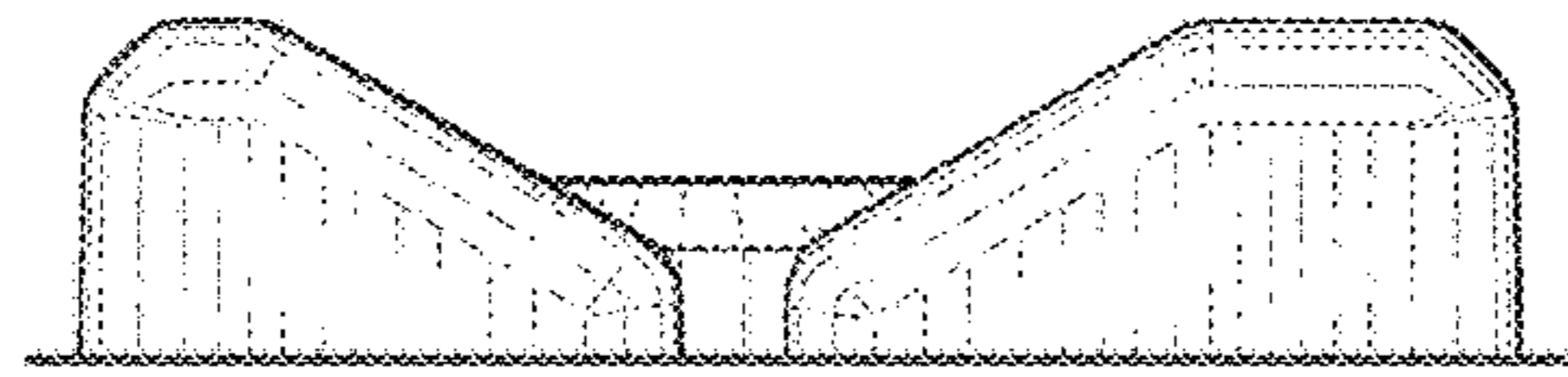


Fig. 4

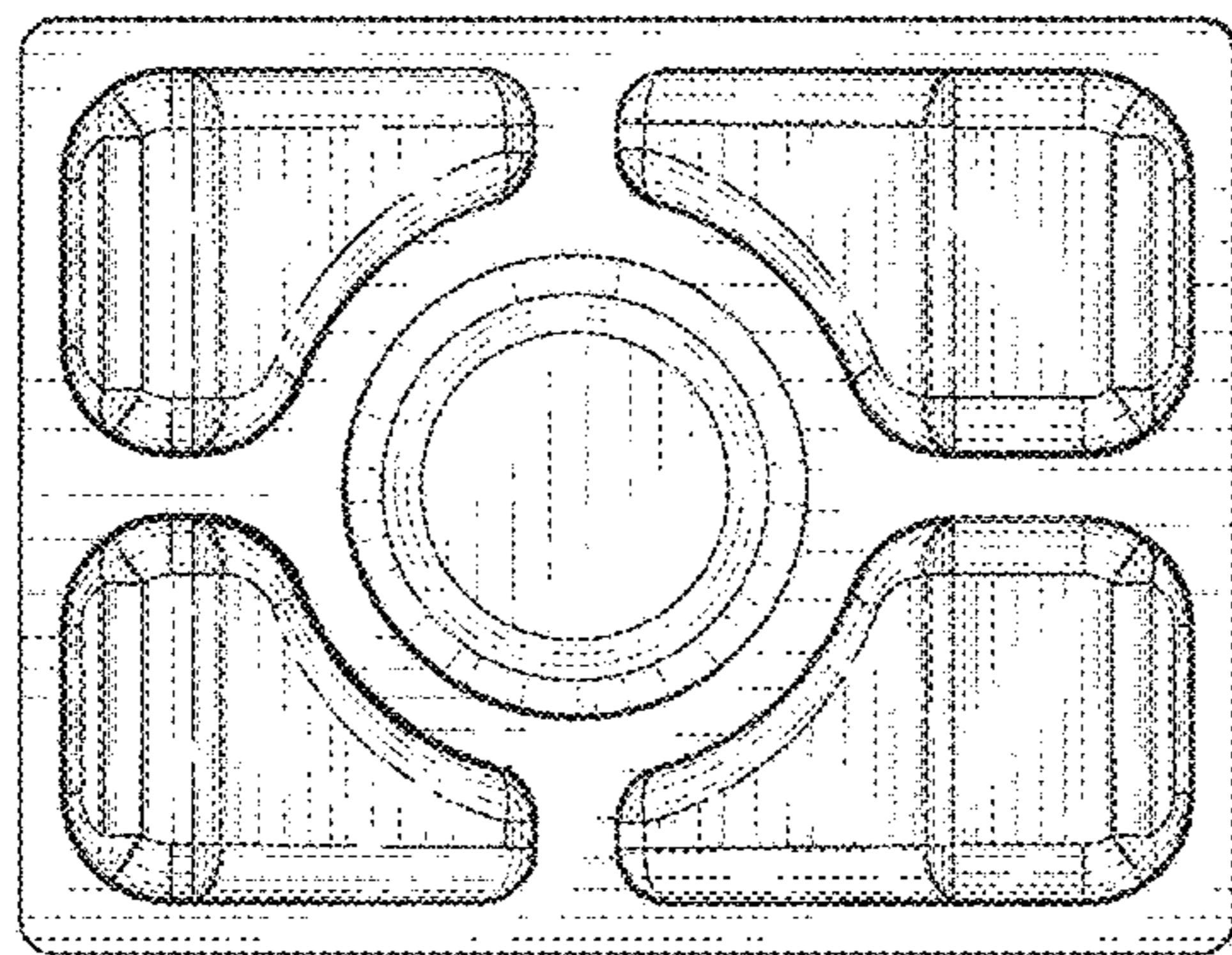


Fig. 2

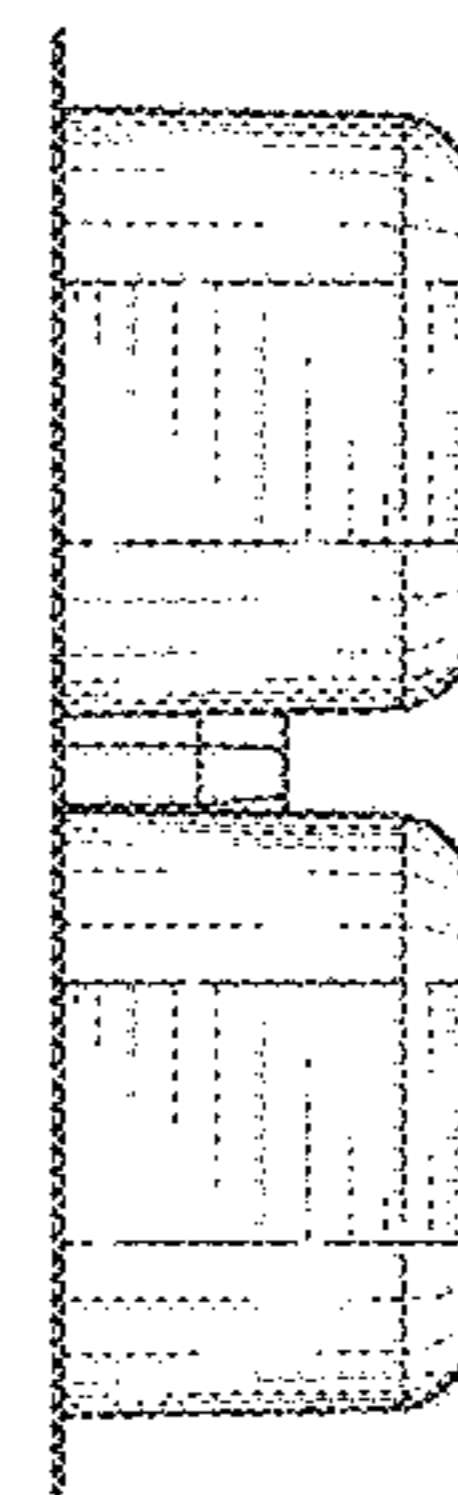


Fig. 3