



US00D798166S

(12) **United States Design Patent** (10) **Patent No.:** **US D798,166 S**  
**Tilahun et al.** (45) **Date of Patent:** **\*\* Sep. 26, 2017**

(54) **PACKAGE**

CPC ..... B65D 1/36; B65D 71/70; B65D 85/78;  
A23G 9/503

(71) Applicant: **Kraft Foods Group Brands LLC**,  
Chicago, IL (US)

See application file for complete search history.

(72) Inventors: **Muluken Tilahun**, Waunakee, WI  
(US); **Daniel Doucette**, DeForest, WI  
(US); **Daniel R. Feldmeier**, Waunakee,  
WI (US); **Paris Alexander Edwards**  
**Lowitz**, San Francisco, CA (US); **Stacy**  
**Alycia Thomas Castro**, Verona, WI  
(US)

(56) **References Cited**

U.S. PATENT DOCUMENTS

(73) Assignee: **Kraft Foods Group Brands LLC**,  
Chicago, IL (US)

(\*\*) Term: **15 Years**

(21) Appl. No.: **29/581,604**

(22) Filed: **Oct. 20, 2016**

4,653,685 A \* 3/1987 Leary ..... B65D 1/36  
220/4.21  
D293,767 S \* 1/1988 Powers ..... D7/553.3  
4,930,627 A \* 6/1990 Borst ..... B65D 75/366  
206/45.23  
5,119,940 A \* 6/1992 Grindrod ..... B65D 75/54  
206/561  
D335,821 S \* 5/1993 Detert ..... D9/761  
D337,048 S \* 7/1993 Detert ..... D9/761  
D337,268 S \* 7/1993 Detert ..... D9/761  
D381,264 S \* 7/1997 Lippincott ..... D9/425  
5,695,798 A \* 12/1997 Rozzano ..... B65D 21/0233  
206/518  
5,743,402 A \* 4/1998 Gics ..... B65D 77/0433  
206/459.5  
D395,392 S \* 6/1998 Lahm ..... D9/425  
D408,280 S \* 4/1999 Manley ..... D9/415  
D416,483 S \* 11/1999 Manley ..... D9/415  
D420,283 S \* 2/2000 Reichel ..... D9/759  
6,261,616 B1 \* 7/2001 Simpson ..... B65D 1/34  
206/541  
D463,977 S \* 10/2002 Castellanos ..... D9/425

(Continued)

**Related U.S. Application Data**

(62) Division of application No. 29/501,206, filed on Sep.  
2, 2014, now Pat. No. Des. 780,599, which is a  
division of application No. 29/440,709, filed on Dec.  
26, 2012, now Pat. No. Des. 714,660.

*Primary Examiner* — Mark Goodwin

(74) *Attorney, Agent, or Firm* — Fitch, Even, Tabin &  
Flannery LLP

(51) **LOC (10) Cl.** ..... **09-03**

(52) **U.S. Cl.**

USPC ..... **D9/737**

(58) **Field of Classification Search**

USPC ..... D9/737, 761, 414, 415, 424, 425,  
D9/430-432, 427; 426/108, 110, 119,  
426/122; 229/164.1; 206/45.24, 45.23,  
206/461, 545; 220/631

(57) **CLAIM**

The ornamental design for a package, as shown and  
described.

**DESCRIPTION**

FIG. 1 is a perspective view of a package showing our new  
design;  
FIG. 2 is a top plan view thereof, the bottom plan view being  
identical;  
FIG. 3 is a front elevation view thereof; and,

(Continued)

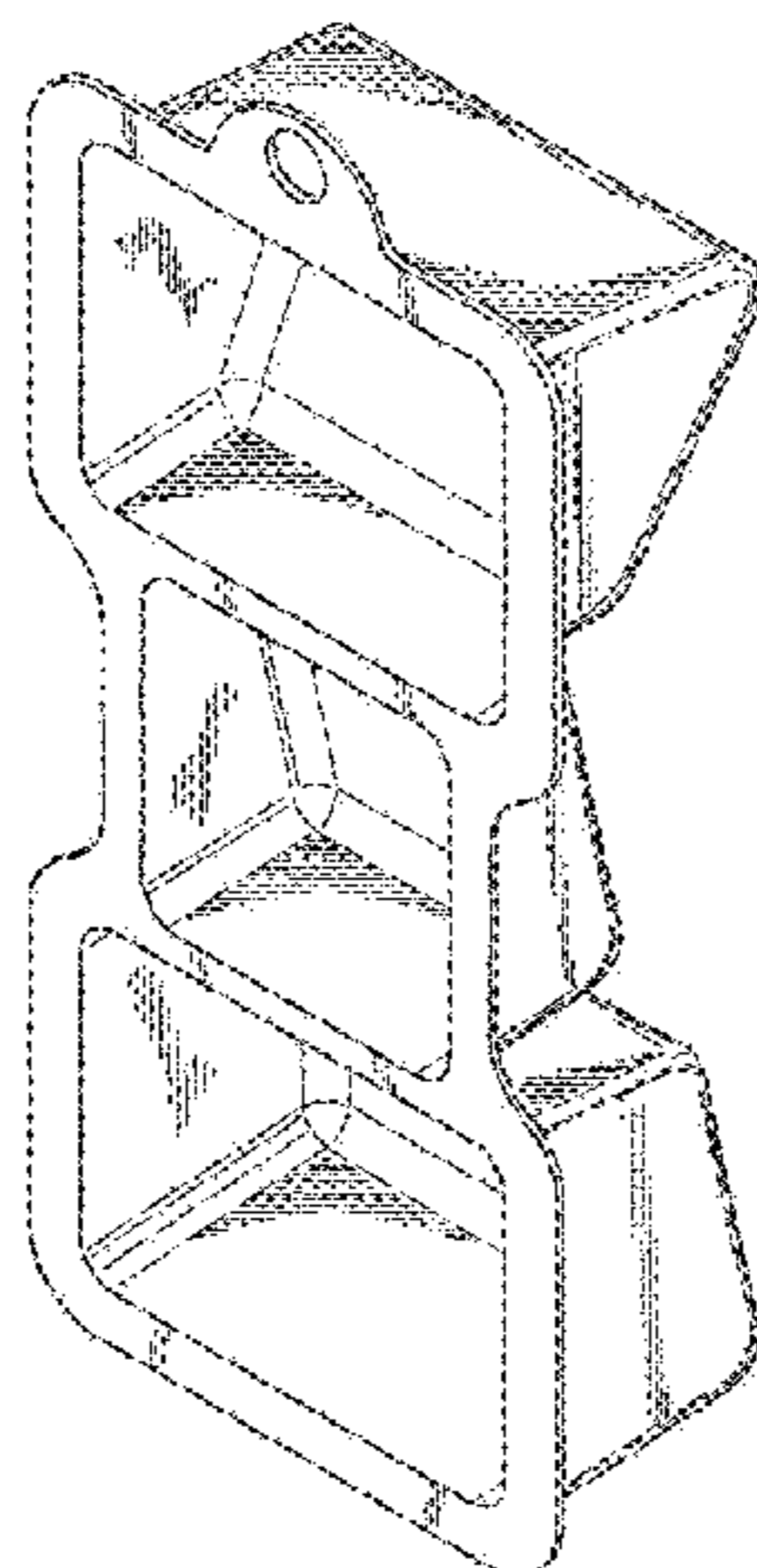


FIG. 4 is a right side elevation view thereof, the left side elevation view being a mirror image.

**1 Claim, 1 Drawing Sheet**

(56)

**References Cited**

U.S. PATENT DOCUMENTS

D474,687 S *	5/2003	Jones .....	D9/761
D492,593 S *	7/2004	Dutton .....	D9/760
D515,880 S *	2/2006	Lerner .....	D7/629
D531,054 S *	10/2006	Sagel .....	D9/424
D562,127 S *	2/2008	Croft .....	D9/415
D579,769 S *	11/2008	Lipinski .....	D9/759
D627,217 S *	11/2010	Marcinkowski .....	D9/415
D642,484 S *	8/2011	Birchmeier .....	D9/425
D642,937 S *	8/2011	Birchmeier .....	D9/425

\* cited by examiner

