

US00D798165S

(12) **United States Design Patent** (10) **Patent No.:** **US D798,165 S**
Snedden et al. (45) **Date of Patent:** **** *Sep. 26, 2017**

(54) **TRAY ASSEMBLY**
(71) Applicant: **Direct Pack, Inc.**, Sun Valley, CA (US)
(72) Inventors: **Craig R. Snedden**, La Canada Flintridge, CA (US); **Gandhi B. Sifuentes**, West Covina, CA (US); **Leonard Magana**, San Bernardino, CA (US); **Patrick Jude Nunan**, Alamo, CA (US)

220/4.21, 660, 326, 236, 780-806, 4.24, 220/288, 260, 266, 306, 352, 356, 523, 220/23.8, 23.2, 23.83, 23.4, 662, 675, 220/700, 701, 703, 711, 713-715, 719
CPC B65D 2543/00537; B65D 43/162; B65D 1/34; B65D 21/00; B65D 21/0204; A47G 19/00; A47G 19/02; A47G 19/065
See application file for complete search history.

(73) Assignee: **DIRECT PACK, INC.**, Azusa, CA (US)

(56) **References Cited**

(*) Notice: This patent is subject to a terminal disclaimer.

U.S. PATENT DOCUMENTS

(**) Term: **15 Years**

3,795,360 A * 3/1974 Bianchi B65D 43/0212
220/786
4,807,776 A * 2/1989 Cortopassi B65D 1/24
220/23.83
D682,676 S * 5/2013 Wintmolders D9/431
(Continued)

(21) Appl. No.: **29/541,233**

Primary Examiner — Cathron Brooks

(22) Filed: **Oct. 1, 2015**

Assistant Examiner — Teddy Falloway

(51) **LOC (10) Cl.** **09-03**

(74) *Attorney, Agent, or Firm* — Frost Brown Todd LLC

(52) **U.S. Cl.**
USPC **D9/737**; D9/418

(57) **CLAIM**

(58) **Field of Classification Search**

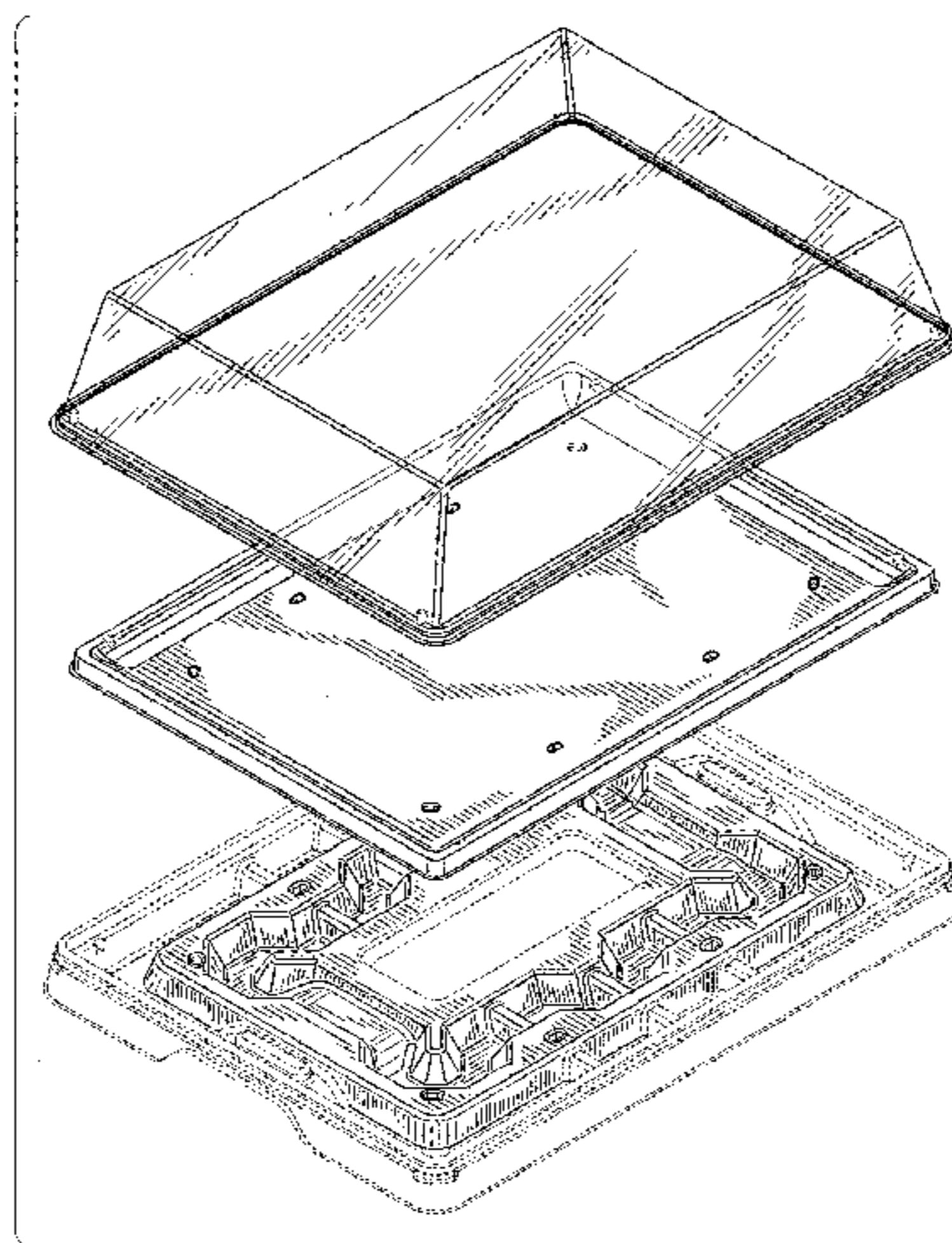
The ornamental design for a tray assembly, as shown and described.

USPC D9/341, 347, 414-432, 435, 440, 444, D9/447, 449, 450-454, 503, 504, 737, D9/759, 761; D7/354, 672, 601, 550.1, D7/551.1, 551.2, 551.3, 552.1, 552.2, D7/553.1, 553.2, 553.3, 553.4, 553.5, D7/553.7, 553.8, 554.1, 554.3, 555, 557, D7/602, 629, 630, 538-542, 612-615, D7/584, 586, 587, 392.1, 709, 502, 608, D7/622, 701, 703, 543-549, 317-319, D7/391, 392, 396.2, 510, 511; D3/273, D3/201-206, 276, 283, 284, 295, 274, D3/302; D11/155; 229/107, 406, 120, 229/125.17; 190/109, 110; 426/106; 206/216, 217, 541-550, 518, 557, 558, 206/561, 564, 223, 467; 215/211, 200, 215/224, 243; 249/126, 134; 220/4.23, 220/839, 810, 669-673, 574-575, 573.1,

DESCRIPTION

FIG. 1 is a top perspective exploded view of a tray assembly revealing the top side of the lid, tray and base, and showing our new design;
FIG. 2 is a left elevational view thereof;
FIG. 3 is a right elevational view thereof;
FIG. 4 is a front elevational view thereof;
FIG. 5 is a back elevational view thereof;
FIG. 6 is a top plan view thereof; and,
FIG. 7 is a bottom plan view thereof.
In the drawings, the broken lines are for the purpose of illustrating environment only and form no part of the claimed design.

1 Claim, 4 Drawing Sheets



(56)

References Cited

U.S. PATENT DOCUMENTS

D692,751 S	*	11/2013	Mastronardi	D9/427
D695,109 S	*	12/2013	Liu	D9/427
D698,666 S	*	2/2014	Sifuentes	D9/425
D737,102 S	*	8/2015	Hand	D7/542
D742,736 S	*	11/2015	Snedden	D9/418
D744,327 S	*	12/2015	Snedden	D9/418
D748,469 S	*	2/2016	Snedden	D9/425

* cited by examiner

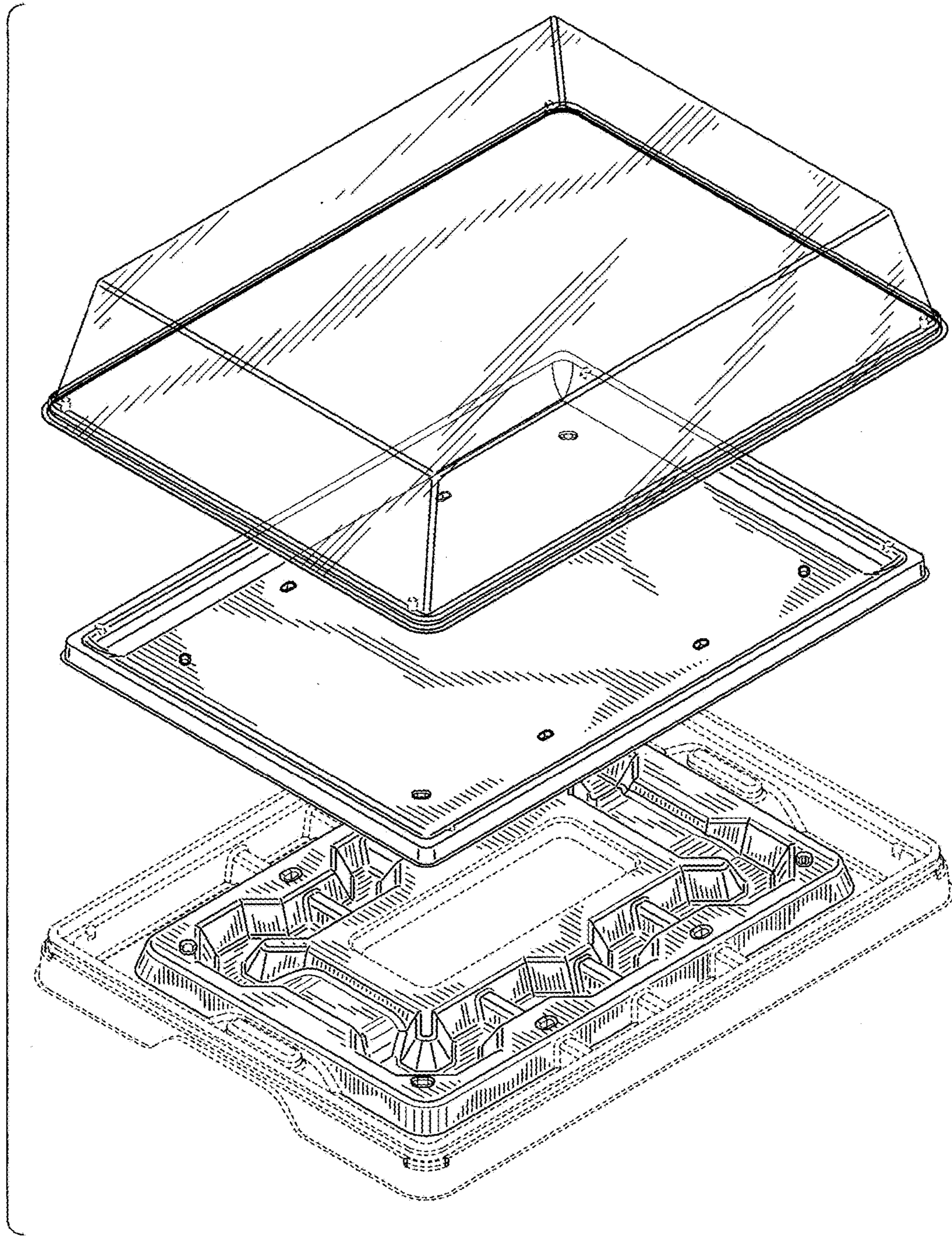


Fig. 1

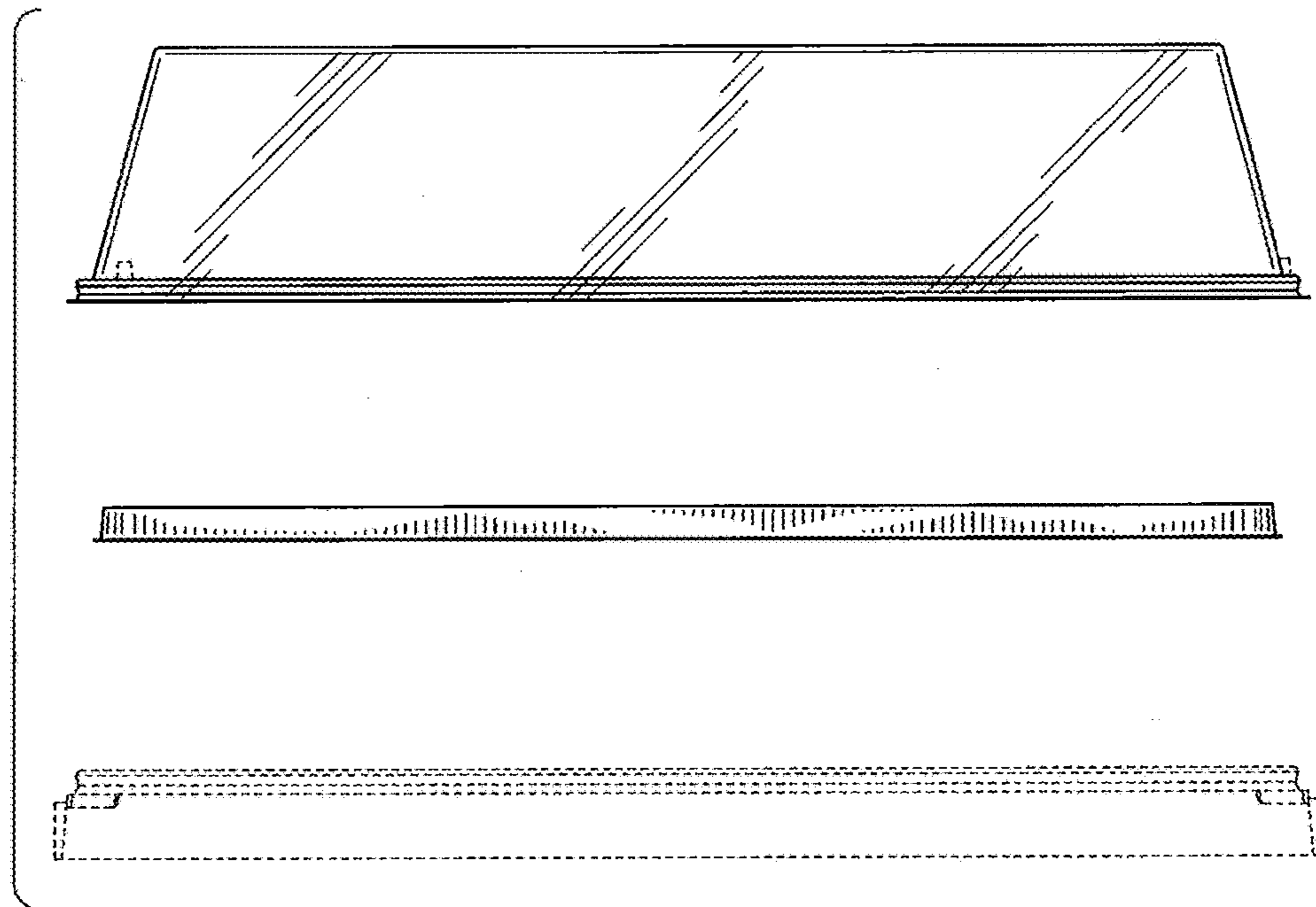


Fig.2

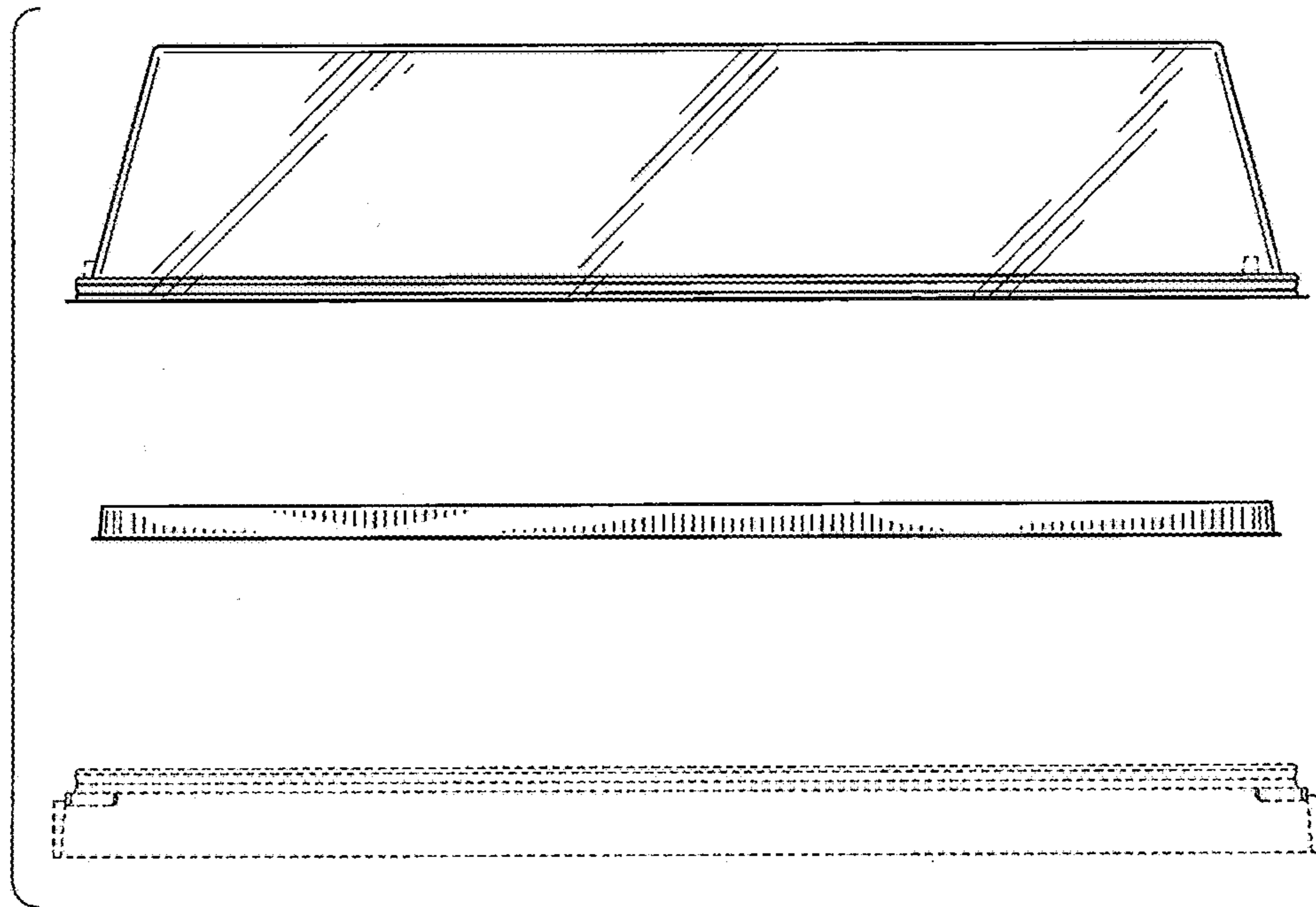


Fig.3

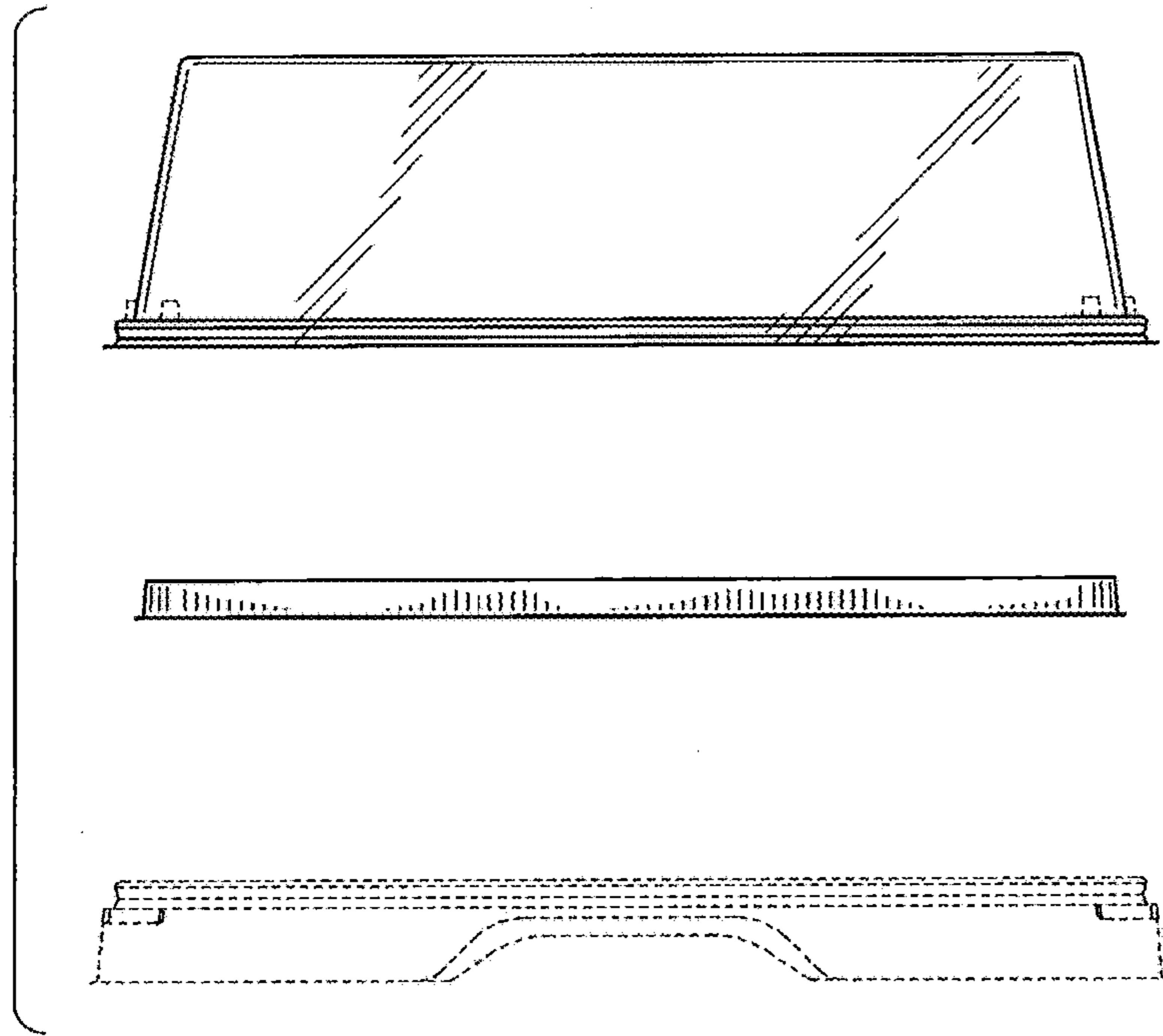


Fig.4

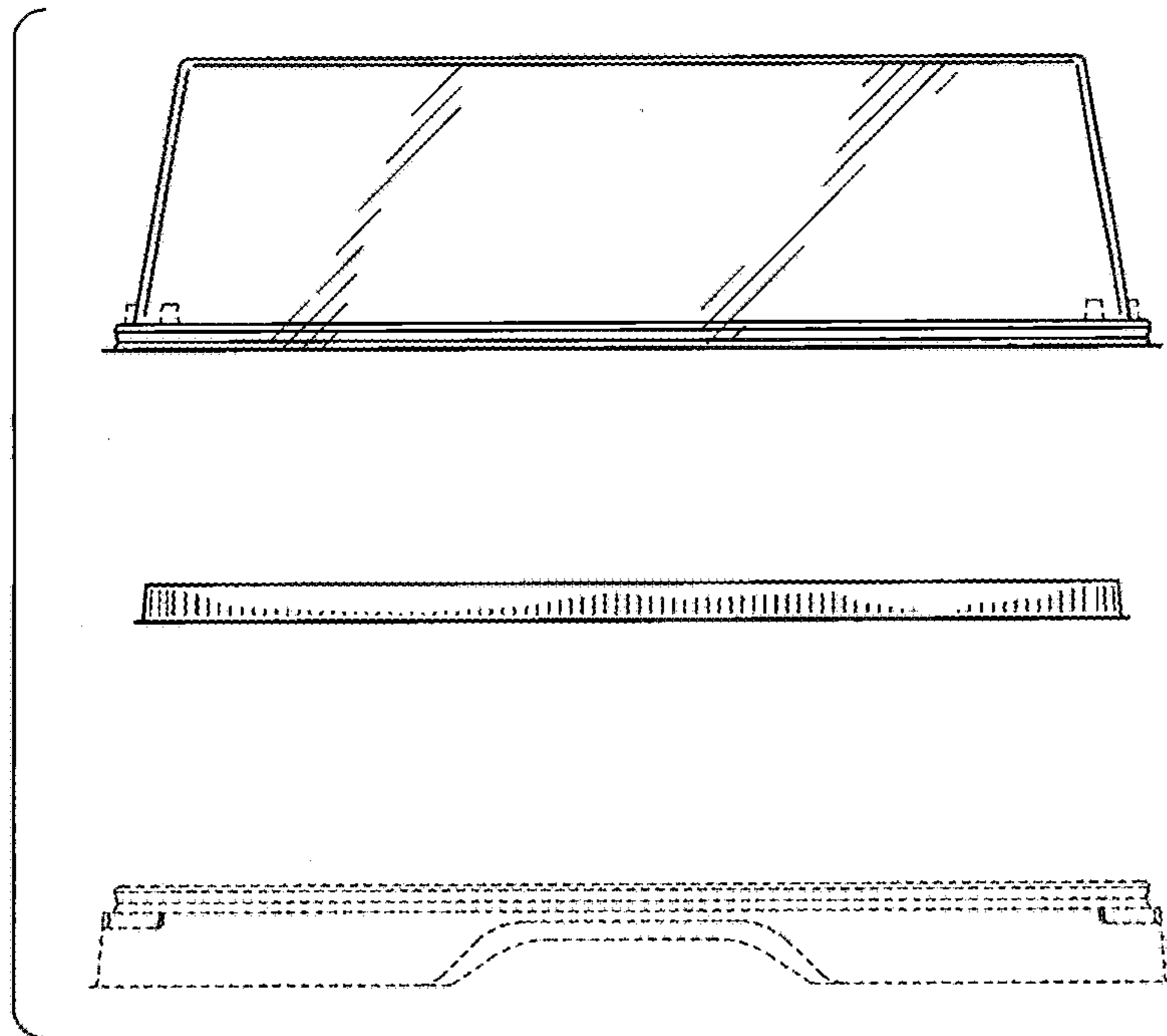


Fig.5

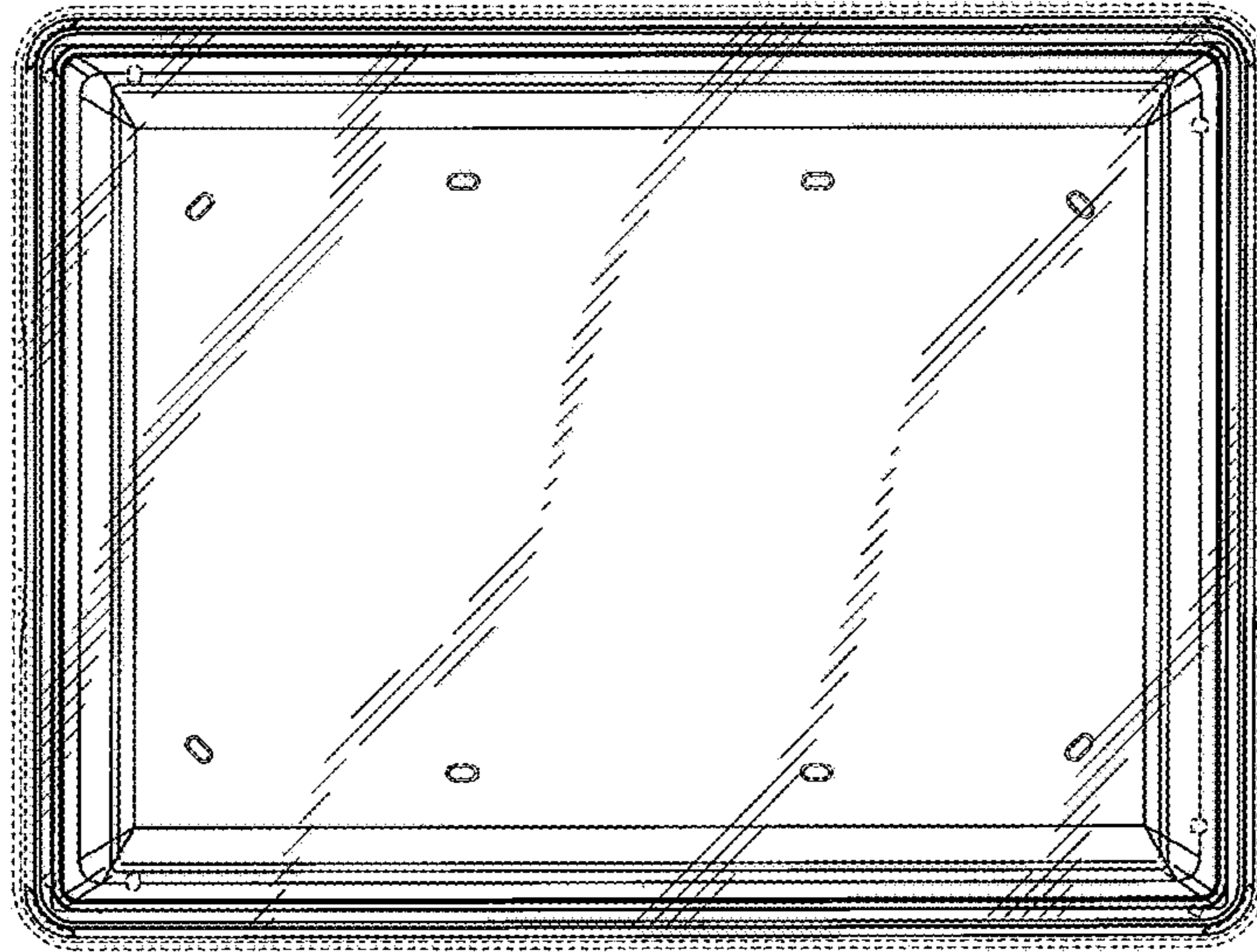


Fig. 6

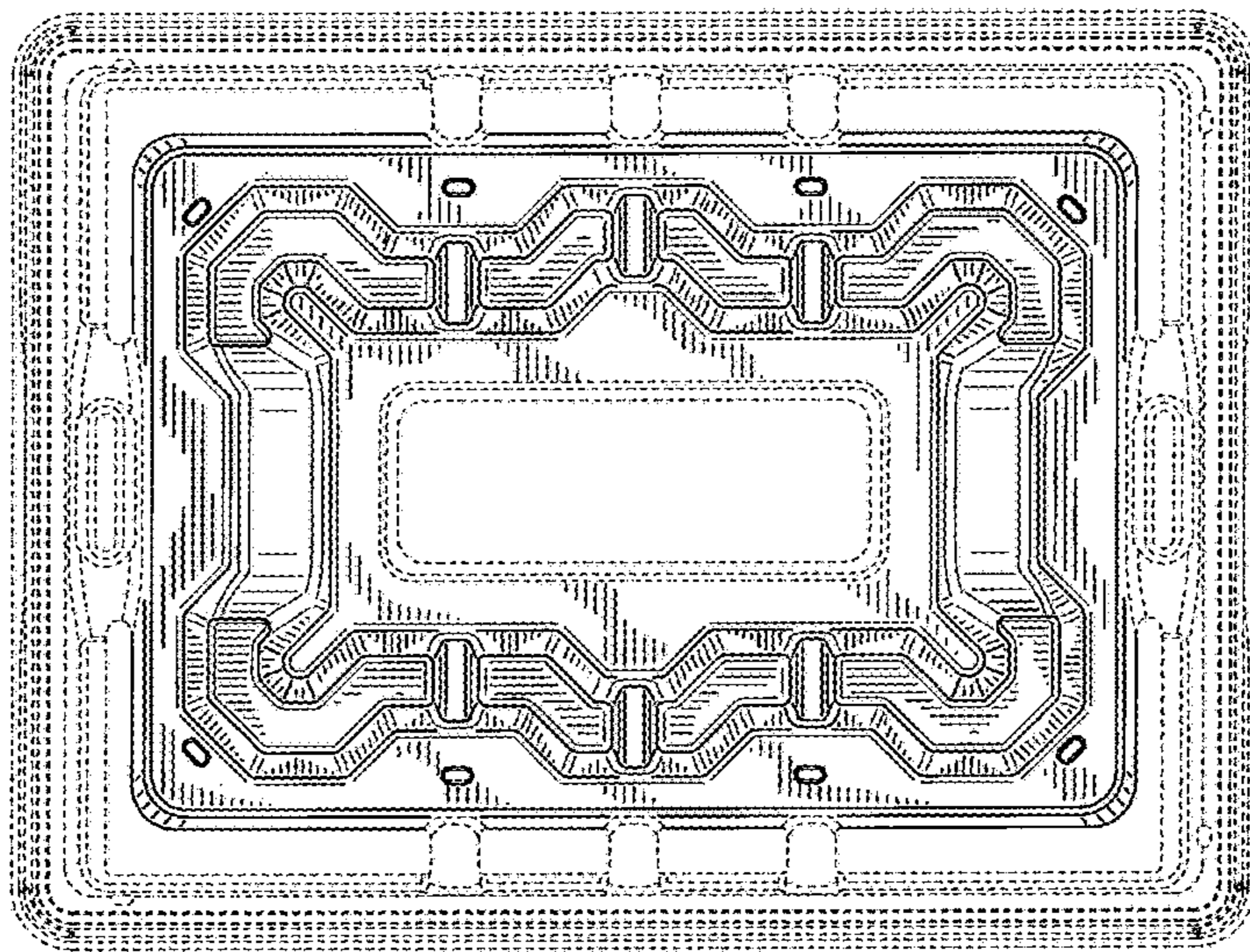


Fig. 7