



US00D798164S

(12) **United States Design Patent**
Kang

(10) **Patent No.:** **US D798,164 S**

(45) **Date of Patent:** **** Sep. 26, 2017**

(54) **FOOD PACKAGING CONTAINER**

(71) Applicant: **Kui Kang**, Beijing (CN)

(72) Inventor: **Kui Kang**, Beijing (CN)

(**) Term: **15 Years**

(21) Appl. No.: **29/573,120**

(22) Filed: **Aug. 2, 2016**

(51) **LOC (10) Cl.** **09-05**

(52) **U.S. Cl.**
USPC **D9/705**; D9/697

(58) **Field of Classification Search**
USPC D9/702-714, 695-699, 435, 440, 521,
D9/454, 544, 723-724, 499, 449,
D9/727-728, 442, 447, 504; 222/92, 96,
222/107, 527-529, 215, 491, 206,
222/212-213, 251, 95, 536; 206/438,
206/822; 220/DIG. 7, 669; 215/321,
215/381, 382, 316, 380; 141/114-115;
D28/91.1, 76-78, 82, 88; D4/114;
D24/114; D7/601-602; D3/202, 205
CPC B65D 35/00; B65D 35/28; B65D 35/02;
B65D 35/04; B65D 35/08; B65D 35/36;
B65D 1/00; B65D 1/32
See application file for complete search history.

(56) **References Cited**

U.S. PATENT DOCUMENTS

D338,397 S * 8/1993 Sun D9/697
D358,760 S * 5/1995 Sherman D9/449

D373,722 S * 9/1996 Kastberg D32/46
D376,100 S * 12/1996 Beaver D9/697
D532,701 S * 11/2006 Spencer D9/699
D558,061 S * 12/2007 Py D9/695
D614,405 S * 4/2010 Crossman D4/104
D626,428 S * 11/2010 Fallat, II D9/695
D642,931 S * 8/2011 Nickel D9/697

* cited by examiner

Primary Examiner — Abraham Bahta

(74) *Attorney, Agent, or Firm* — Wayne & Ken, LLC;
Tony Hom

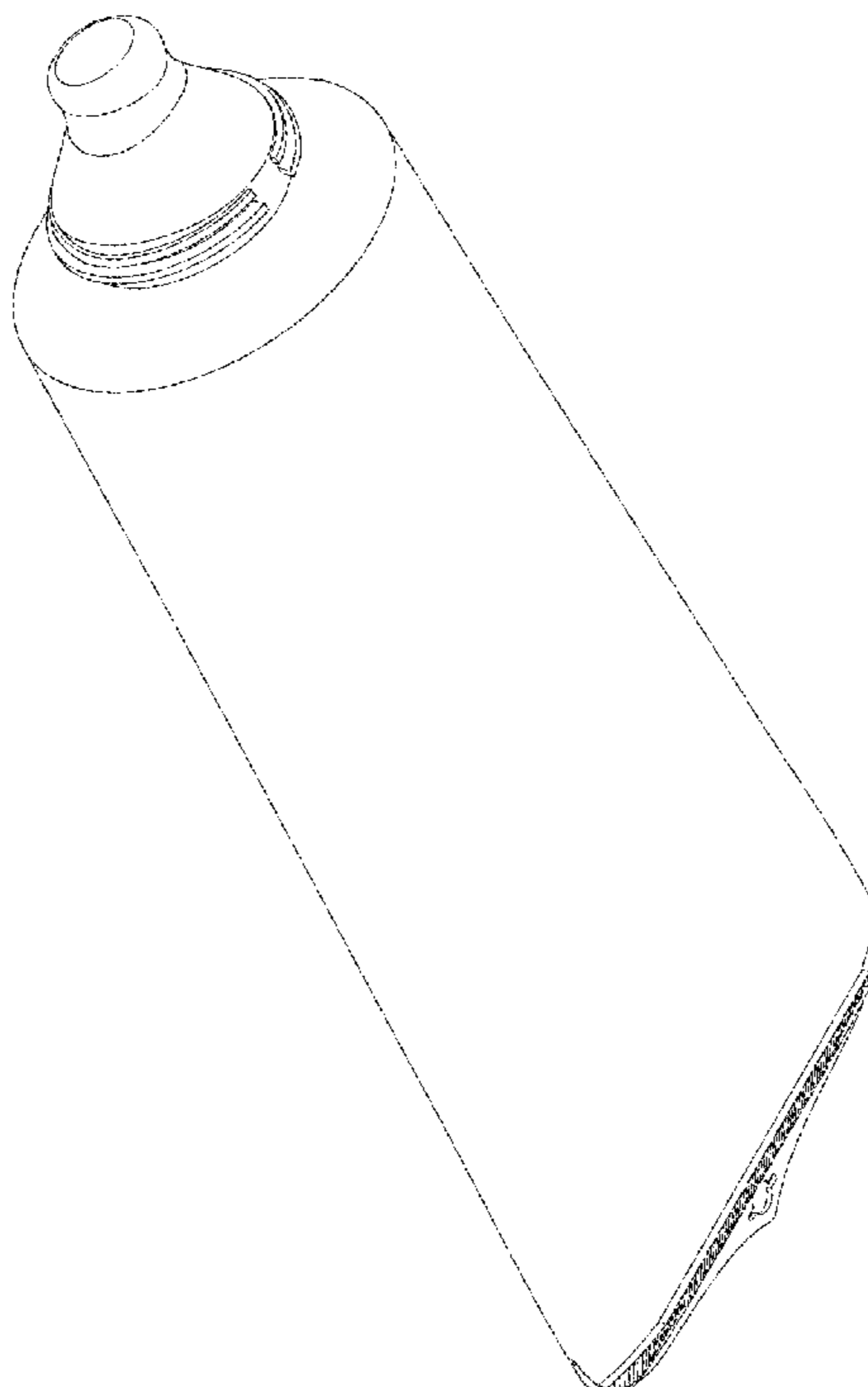
(57) **CLAIM**

The ornamental design for a food packaging container, as shown and described.

DESCRIPTION

FIG. 1 is a perspective view of a food packaging container showing my new design;
FIG. 2 is an exploded view of food packaging container shown in FIG. 1.
FIG. 3 is a front view thereof.
FIG. 4 is a rear view thereof.
FIG. 5 is a left side view thereof.
FIG. 6 is a right side view thereof.
FIG. 7 is a top plan view thereof; and,
FIG. 8 is a bottom plan view thereof.

1 Claim, 8 Drawing Sheets



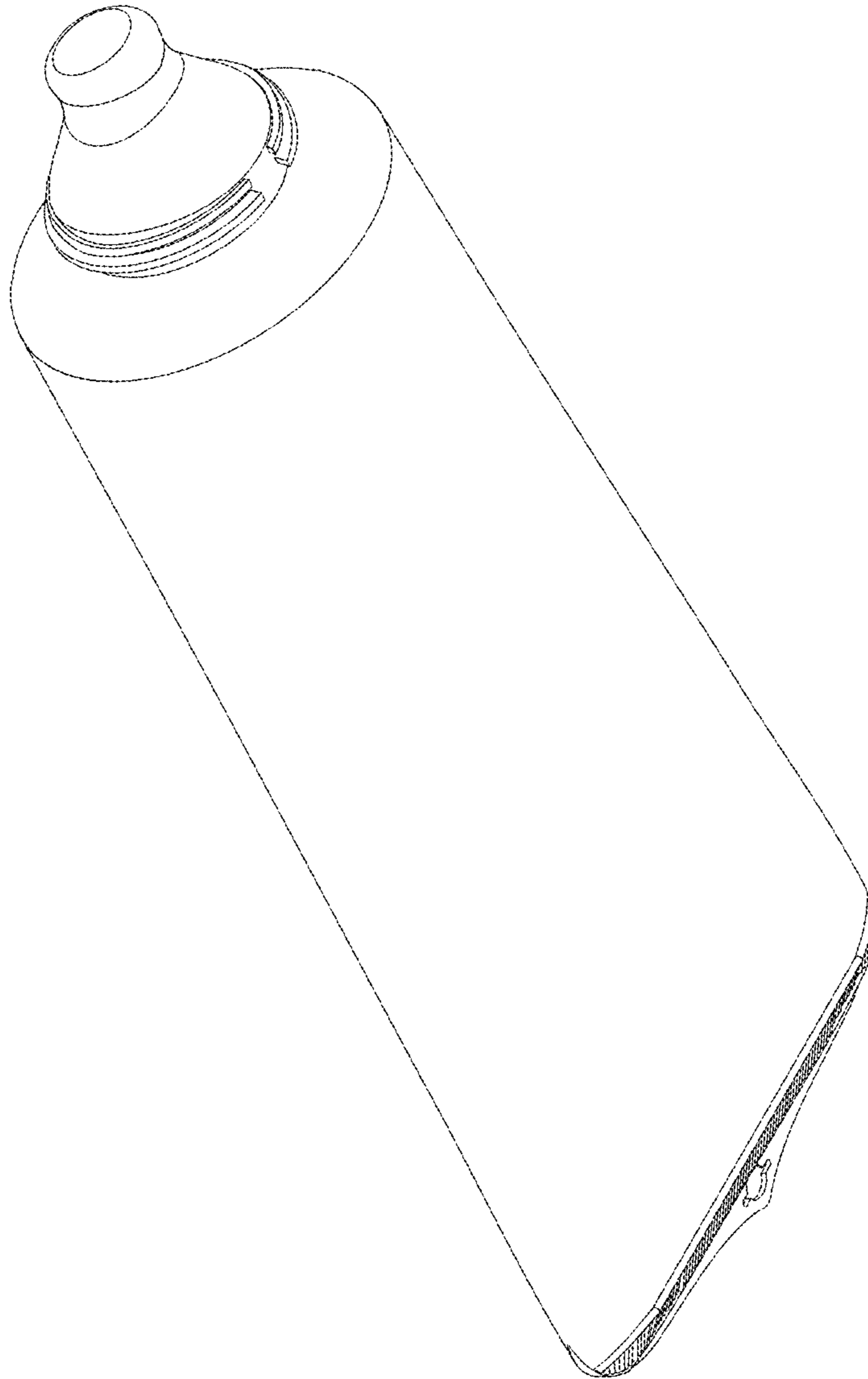


Fig. 1

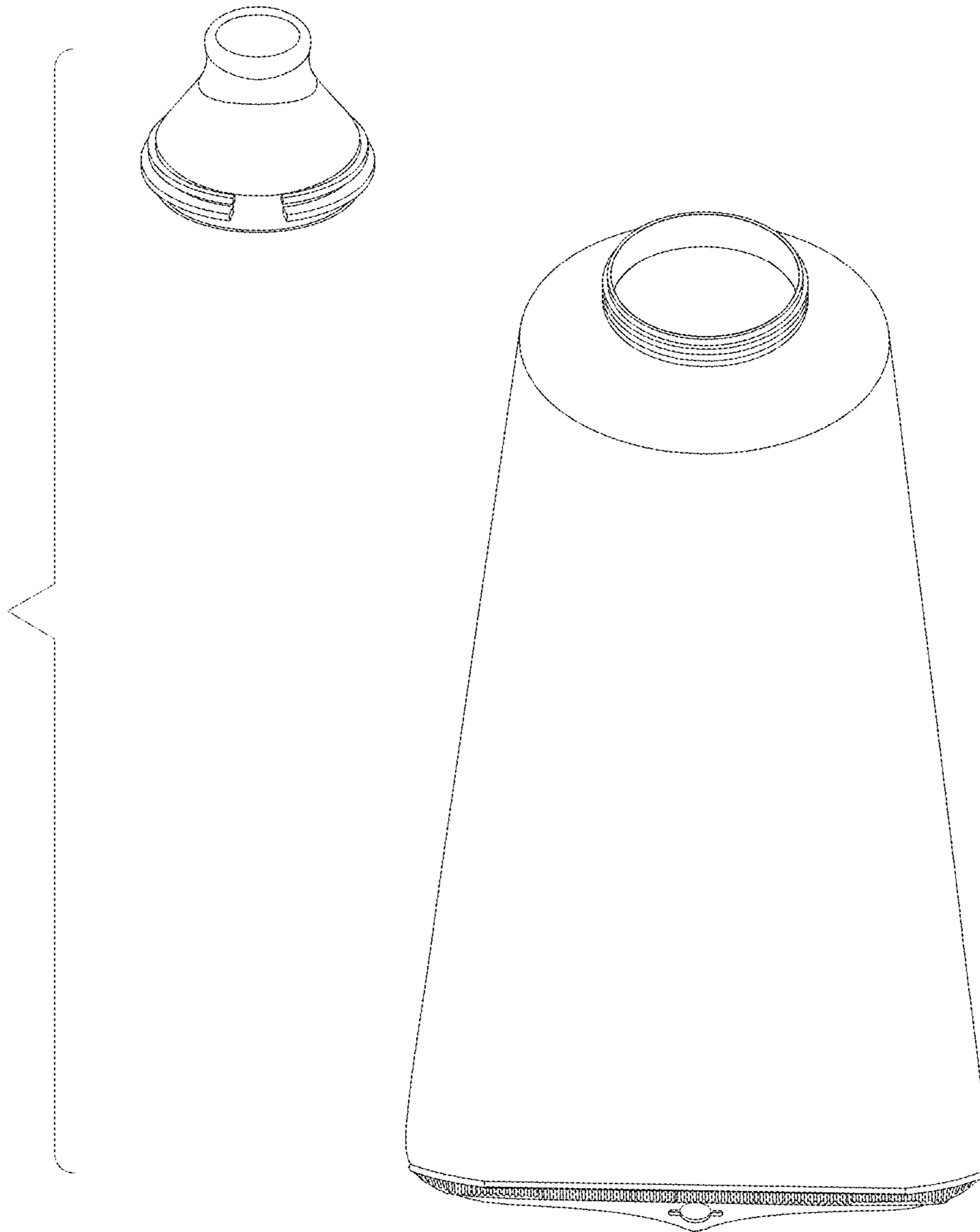


Fig. 2

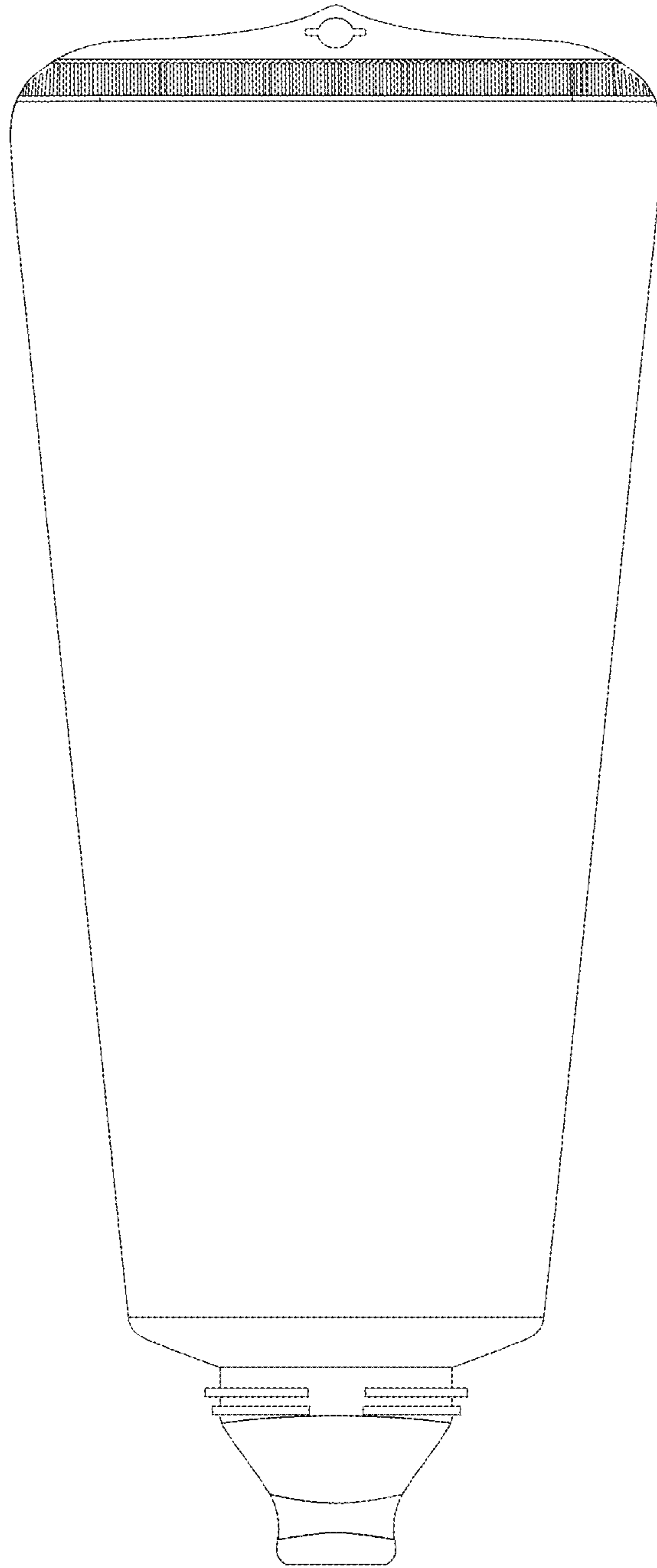


Fig. 3

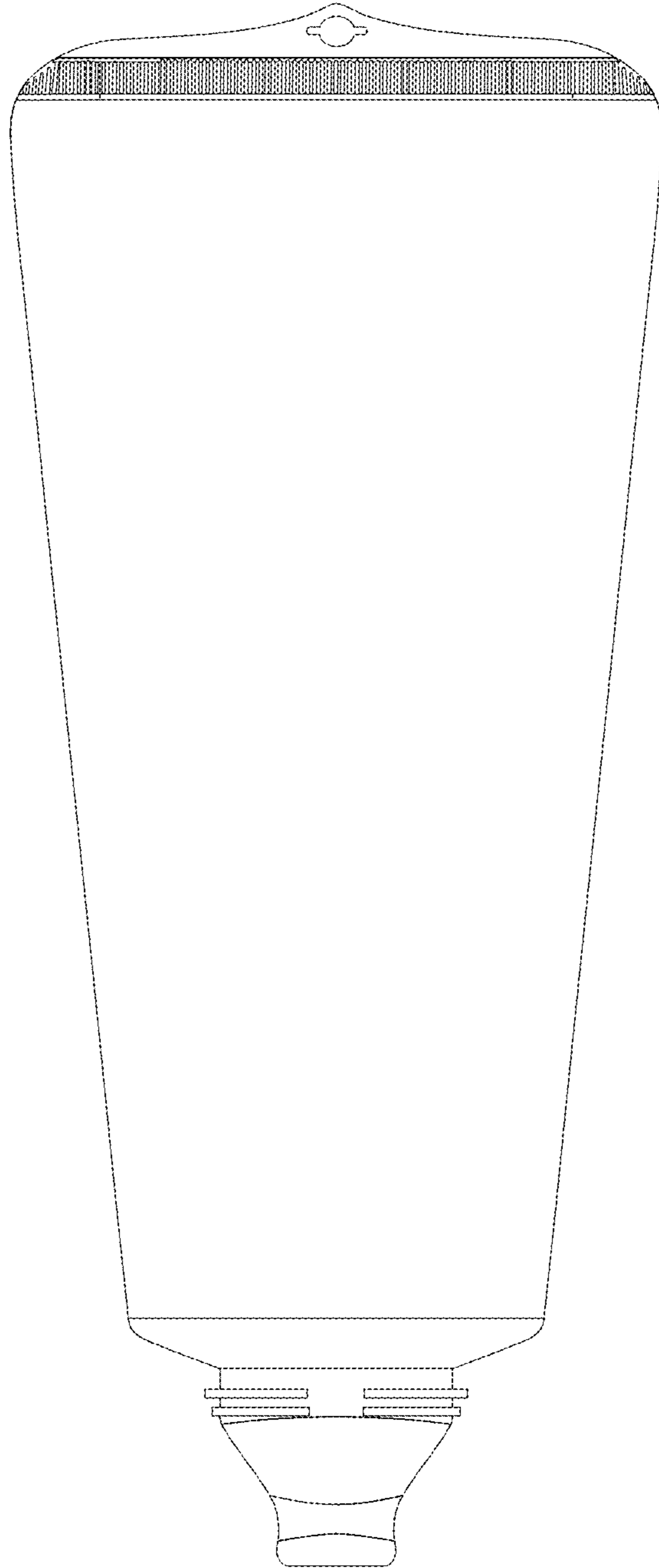


Fig. 4

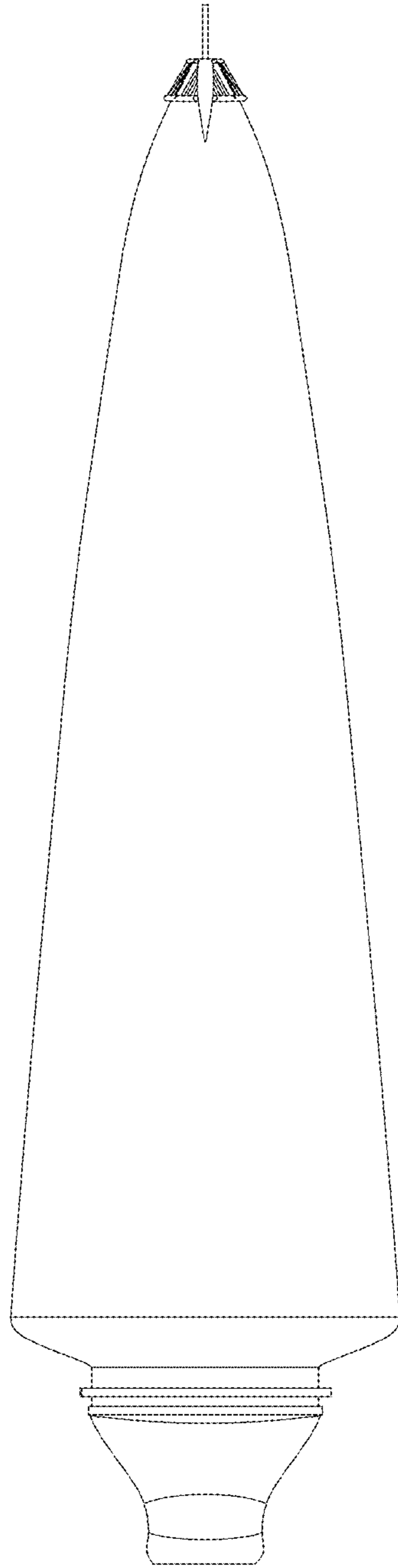


Fig.5

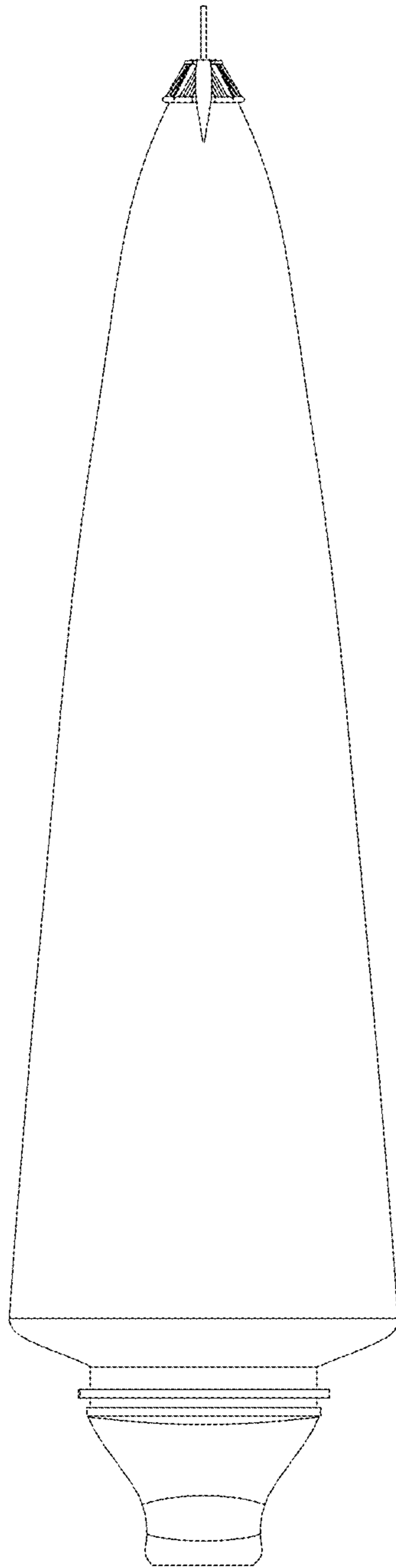


Fig. 6

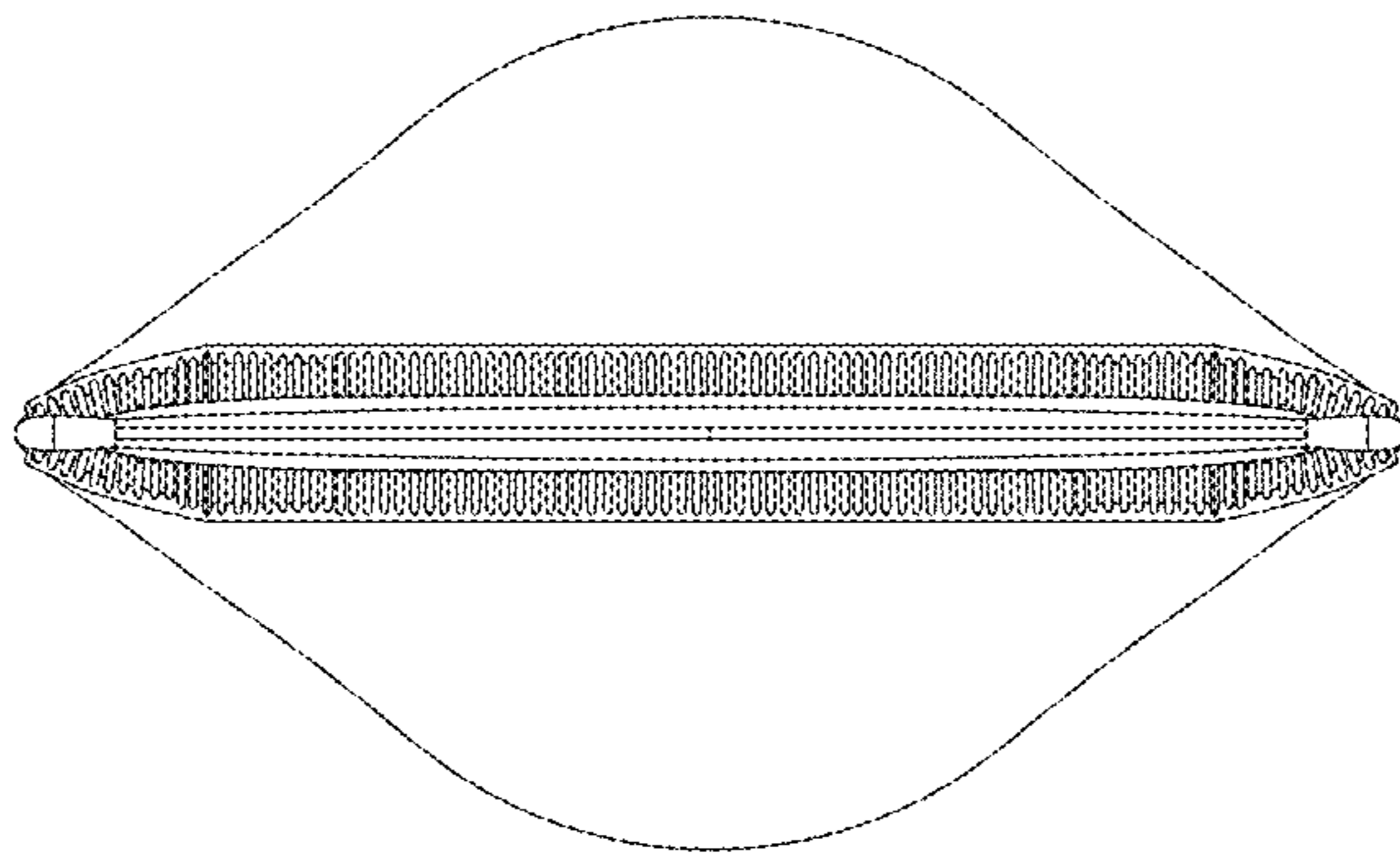


Fig. 7

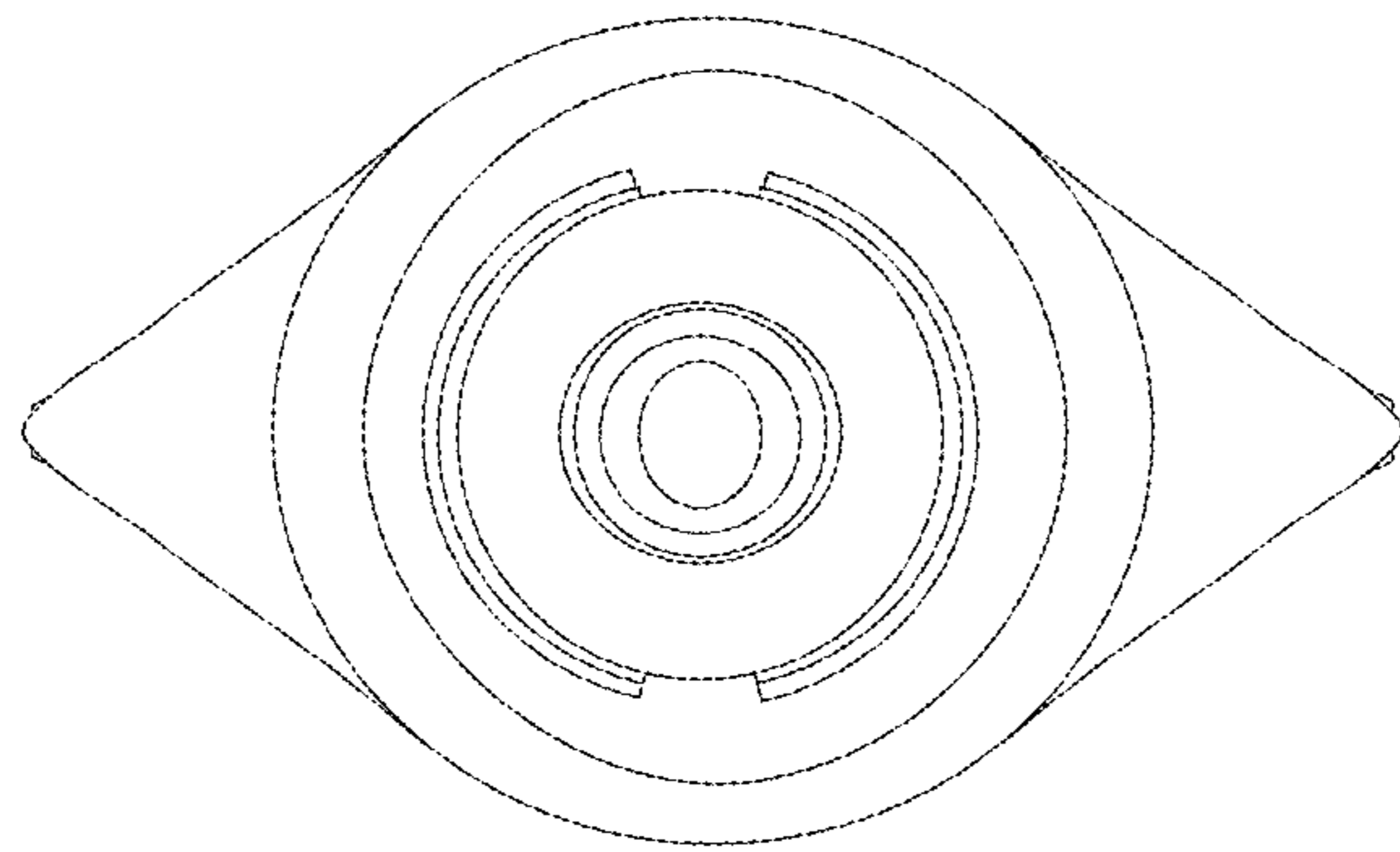


Fig. 8