



US00D798156S

(12) **United States Design Patent** (10) **Patent No.:** **US D798,156 S**  
**Robson** (45) **Date of Patent:** **\*\* Sep. 26, 2017**

(54) **CONTAINER**

(71) Applicant: **Michael Donald Robson**, Johannesburg (ZA)

(72) Inventor: **Michael Donald Robson**, Johannesburg (ZA)

(\*\*) Term: **14 Years**

(21) Appl. No.: **29/518,303**

(22) Filed: **Feb. 23, 2015**

(30) **Foreign Application Priority Data**

Aug. 25, 2014 (EM) ..... 002524264

(51) **LOC (10) Cl.** ..... **09-01**

(52) **U.S. Cl.**  
USPC ..... **D9/523**; D9/569; D18/56

(58) **Field of Classification Search**  
USPC ..... D9/516, 523, 524, 528, 530, 559, 560, D9/564, 568, 569, 572, 575, 715, 719, D9/737, 738, 741, 770; D7/301, 302, D7/598, 619.1, 619.2; D18/56  
CPC . B65D 85/00; B65D 1/02; B65D 1/12; B65D 1/18; B65D 1/20; B65D 21/0237  
See application file for complete search history.

(56) **References Cited**

**U.S. PATENT DOCUMENTS**

D32,027 S \* 12/1899 Kronkosky ..... D9/563  
D94,496 S \* 2/1935 Kihn ..... D9/568  
D163,595 S \* 6/1951 Gale ..... D9/544  
D341,781 S \* 11/1993 Sanyal ..... D9/516  
D368,275 S \* 3/1996 Sakurai ..... D18/56

D455,079 S \* 4/2002 Kratko ..... D9/520  
D458,140 S \* 6/2002 Hutchins ..... D9/523  
D472,975 S \* 4/2003 Iori ..... D24/216  
D521,391 S \* 5/2006 Andoh ..... D9/522  
D540,857 S \* 4/2007 Hattori ..... 347/86  
D618,723 S \* 6/2010 Tamaki ..... D18/56  
D634,362 S \* 3/2011 Inoue ..... D18/56  
D646,974 S \* 10/2011 Latour ..... D9/452  
D704,259 S \* 5/2014 Lecheheb ..... D18/56  
D709,127 S \* 7/2014 Boyd ..... D18/56  
D762,261 S \* 7/2016 Takagiwa ..... D18/56  
D774,407 S \* 12/2016 Khattak ..... D10/81  
2015/0191960 A1\* 7/2015 Robson ..... B65D 85/00  
109/25

\* cited by examiner

*Primary Examiner* — Ian Simmons

*Assistant Examiner* — Keith Frank

(74) *Attorney, Agent, or Firm* — Tutunjian & Bitetto, P.C.

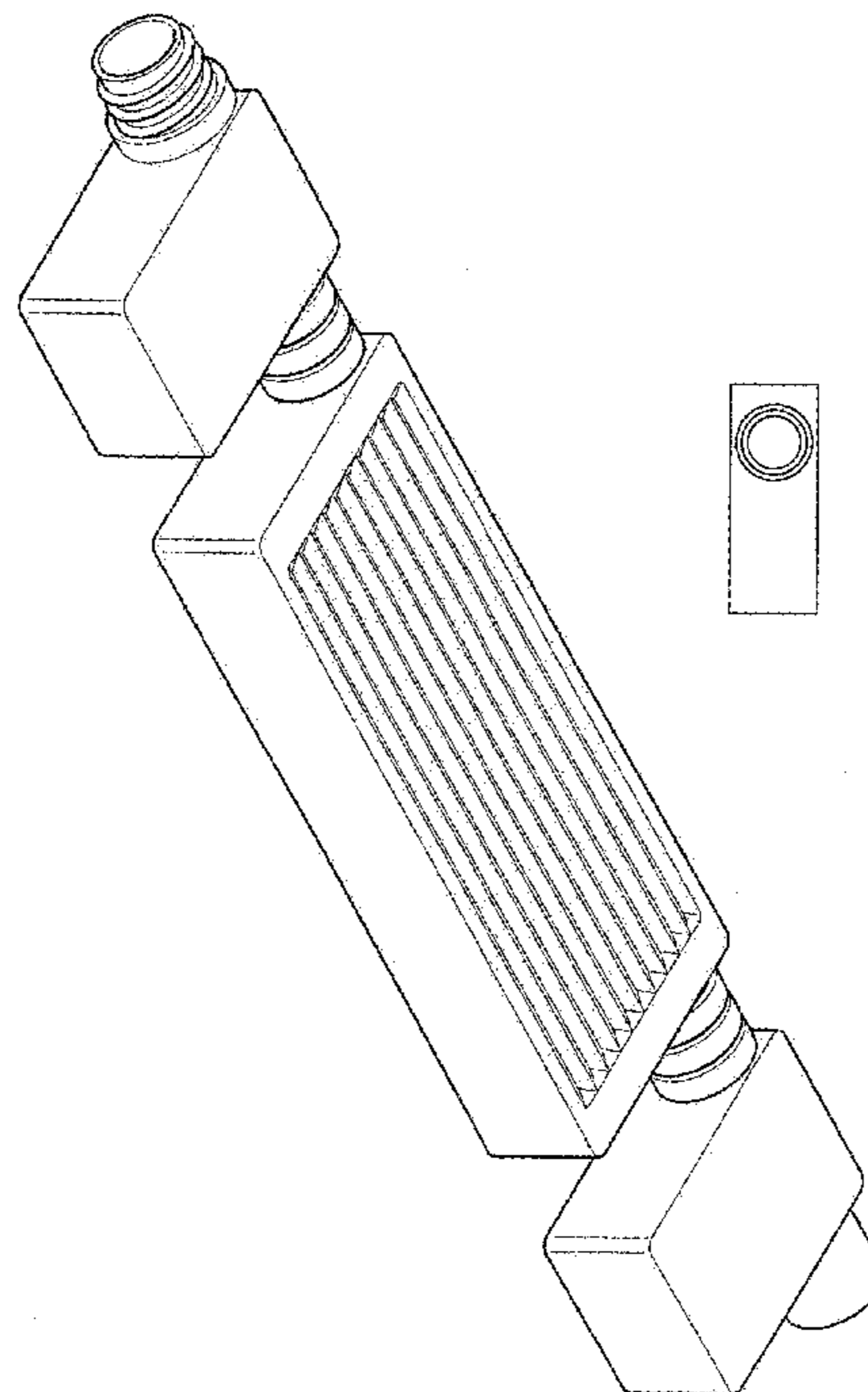
(57) **CLAIM**

The ornamental design for a container, as shown and described.

**DESCRIPTION**

FIG. 1 is a perspective view of the container showing my new design;  
FIG. 2 is a top view thereof;  
FIG. 3 is a bottom view thereof;  
FIG. 4 is a left side view thereof;  
FIG. 5 is a right side view thereof;  
FIG. 6 is a front view thereof; and,  
FIG. 7 is a rear view thereof.  
The broken lines in the drawings illustrate the portions of the container that form no part of the claimed design.

**1 Claim, 3 Drawing Sheets**



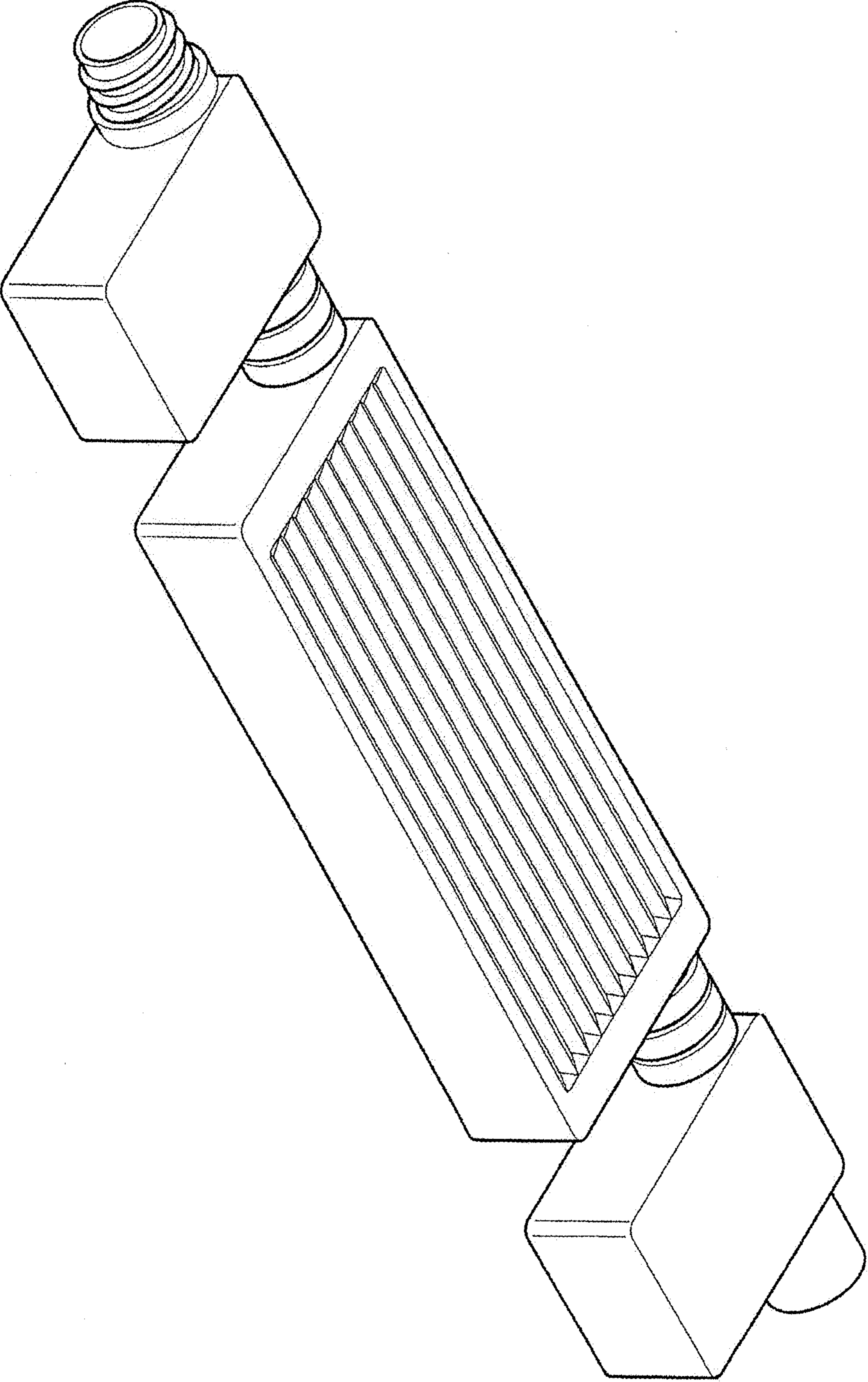


FIGURE 1

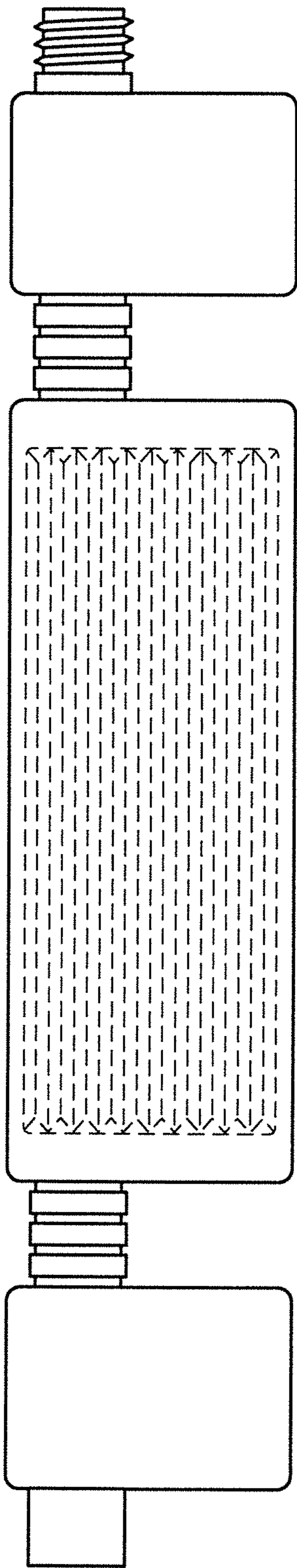


FIGURE 2

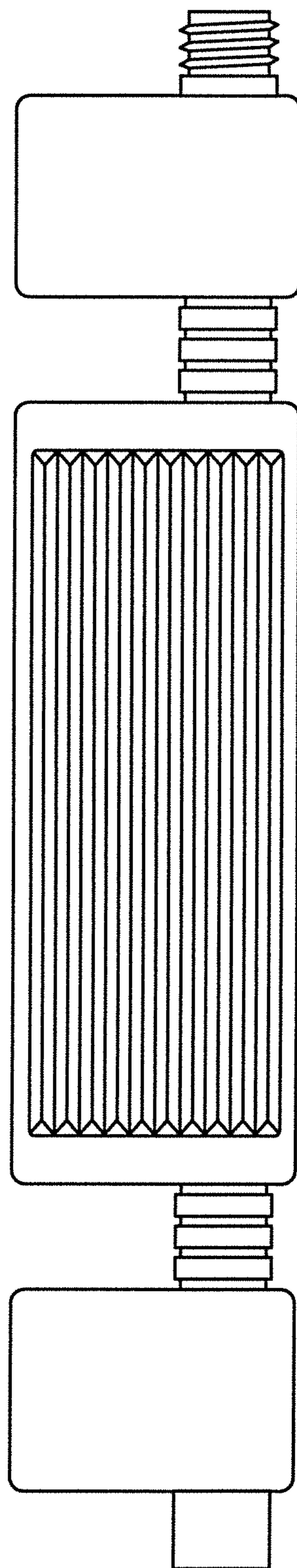


FIGURE 3

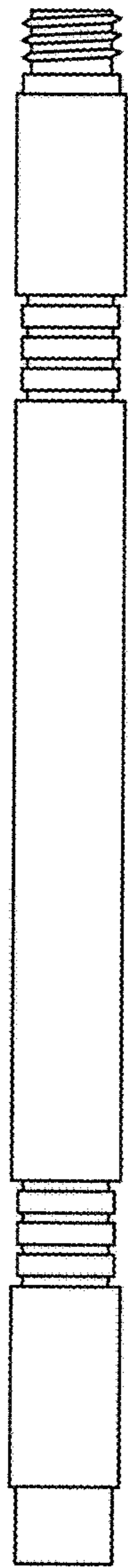


FIGURE 4

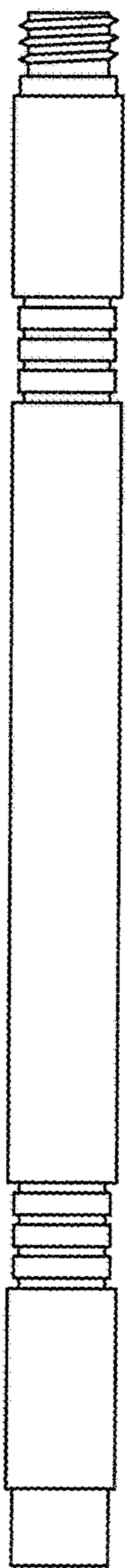


FIGURE 5

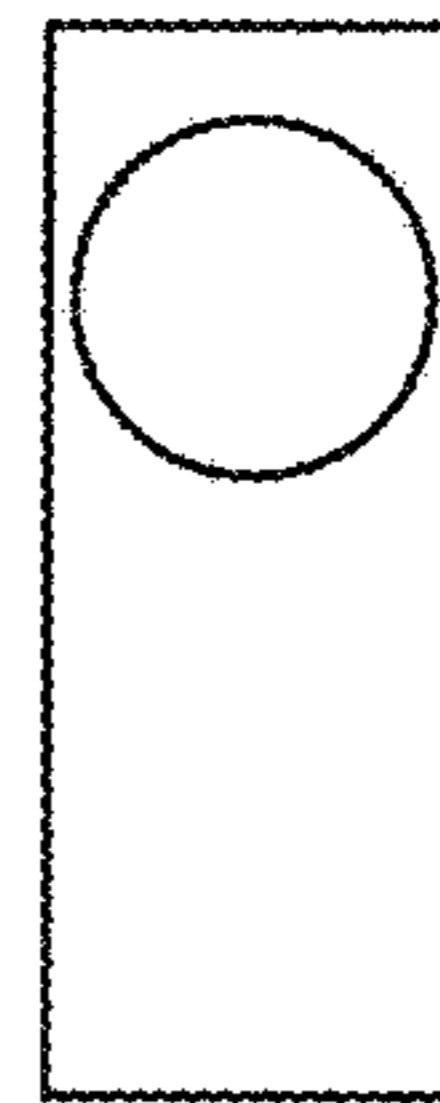


FIGURE 6



FIGURE 7