



US00D798154S

(12) **United States Design Patent** (10) **Patent No.:** **US D798,154 S**
D'Anglade et al. (45) **Date of Patent:** **** Sep. 26, 2017**

- (54) **PROTECTIVE CARDBOARD CORNER** 4,201,138 A * 5/1980 Cox B65D 71/0096
108/55.1
- (71) Applicant: **ABZAC CANADA INC.,** 5,758,470 A 6/1998 Lancaster, III
Drummondville (CA) D399,125 S * 10/1998 Blanchard D8/354
6,012,587 A 1/2000 McCullough
D455,219 S * 4/2002 Ohanesian D25/124
(72) Inventors: **Pierre-Michel D'Anglade,** Montréal D460,263 S * 7/2002 Bradford D3/318
(CA); **Laurent Dudoit,** St Bruno de 6,519,906 B2 * 2/2003 Yost E04B 2/8635
Montarville (CA); **Edward A Dauer,** 249/18
Newcastle, WA (US) 7,216,765 B2 * 5/2007 Markert B65D 81/053
206/320

(73) Assignee: **ABZAC CANADA INC.,**
Drummondville (Québec) (CA)

(**) Term: **15 Years**

(21) Appl. No.: **29/546,611**

(22) Filed: **Nov. 24, 2015**

(51) **LOC (10) Cl.** **09-07**

(52) **U.S. Cl.**
USPC **D9/456**

(58) **Field of Classification Search**
USPC D9/415, 434, 435, 440, 446-450, 452,
D9/453, 454, 455-457, 499; D7/387,
D7/388, 396.2, 396.4, 396.6, 398, 403,
D7/509, 510, 511; D3/202, 203.2, 247,
D3/294, 304, 318; D28/91.1; D8/343,
D8/346, 352, 382, 397, 399; D25/102,
D25/122, 199
CPC .. A61J 1/00; A61J 1/1412; B65D 1/00; B65D
1/02; B65D 1/10; B65D 1/46; B65D
2585/56; B65D 41/00; B65D 41/56;
B65D 41/62; B65D 47/06; B65D 47/08;
B65D 2543/00046; B65D 2543/00092;
B65D 2543/00296

See application file for complete search history.

(56) **References Cited**

U.S. PATENT DOCUMENTS

- 2,050,791 A * 8/1936 Graham B65D 5/445
206/521
- D140,286 S * 2/1945 Dee D9/434

(Continued)

Primary Examiner — Karen S Acker

Assistant Examiner — Wendy Arminio

(74) *Attorney, Agent, or Firm* — Baker & Hostetler LLP

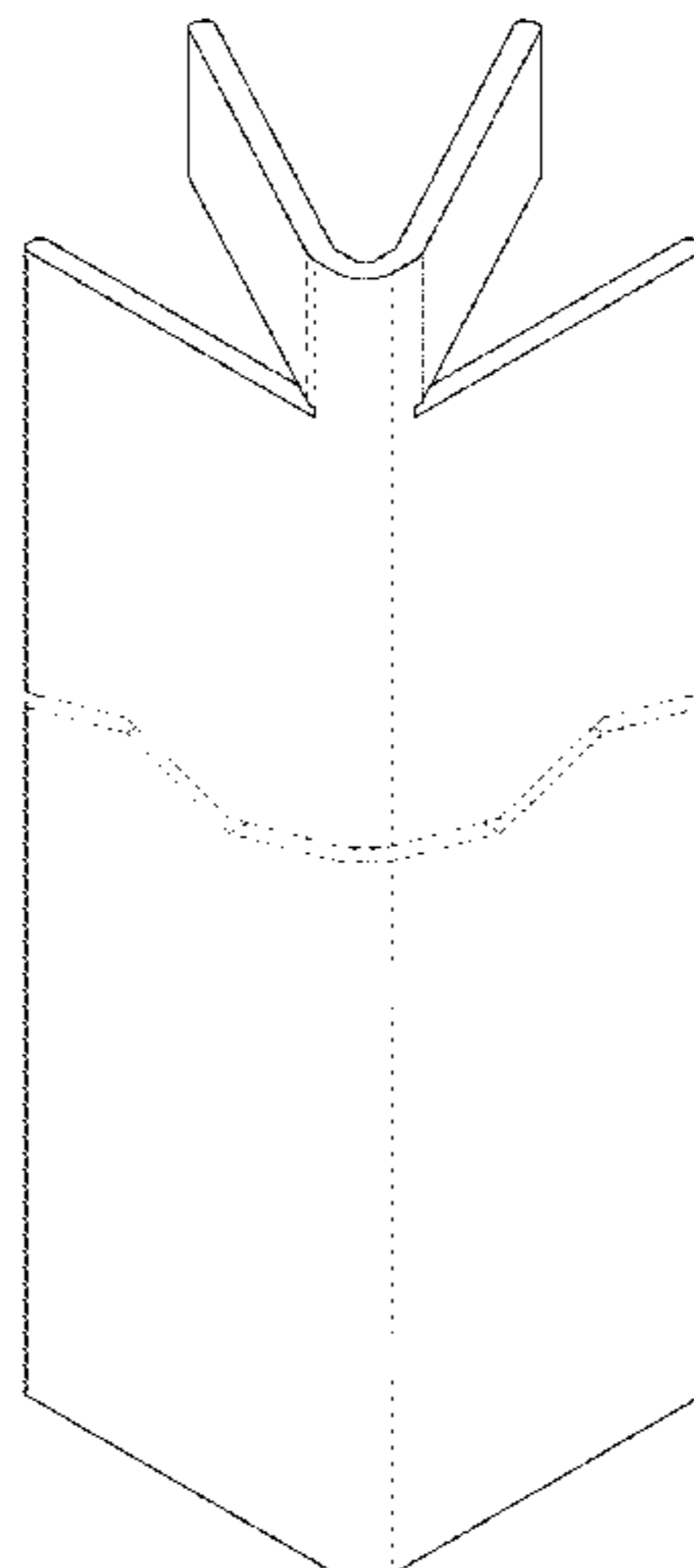
(57) **CLAIM**

The ornamental design for a protective cardboard corner, as shown and described.

DESCRIPTION

FIG. 1 is a perspective view of a protective cardboard corner showing our design.
 FIG. 2 is a rear view of the protective cardboard corner of FIG. 1.
 FIG. 3 is a front view of the protective cardboard corner of FIG. 1.
 FIG. 4 is a right-side view of the protective cardboard corner of FIG. 1.
 FIG. 5 is a left-side view of the protective cardboard corner of FIG. 1.
 FIG. 6 is a top view of the protective cardboard corner of FIG. 1; and,
 FIG. 7 is a view showing the underside of the protective cardboard corner of FIG. 1.
 The protective cardboard corner is shown with a symbolic break in its length. The jagged break lines and the appearance of any portion of the article between the jagged break lines forms no part of the claimed design.

1 Claim, 6 Drawing Sheets



(56)

References Cited

U.S. PATENT DOCUMENTS

D564,880	S *	3/2008	Chang	D9/456
D603,263	S *	11/2009	Chaimberg	D8/403
8,083,203	B2 *	12/2011	Fournier	B65D 19/20 249/114.1
D661,817	S *	6/2012	Fournier	D25/102
D692,755	S *	11/2013	Curnutt	D9/434
D714,149	S *	9/2014	Cedeno	D7/504
2005/0087663	A1 *	4/2005	Schroeder	B65D 81/053 248/345.1
2006/0280891	A1 *	12/2006	Swannell	B65D 71/0096 428/40.1
2007/0003726	A1 *	1/2007	Swannell	B65D 71/0096 428/40.1
2009/0029130	A1 *	1/2009	Stubing	B65D 81/053 428/213
2009/0179137	A1 *	7/2009	Fournier	B65D 19/20 249/48
2010/0151203	A1 *	6/2010	Good	E04F 19/028 428/156
2011/0180450	A1	7/2011	Hainer	
2011/0278198	A1	11/2011	Hazell	
2013/0320030	A1	12/2013	Ulrich	
2014/0069842	A1 *	3/2014	D'Anglade	B65D 81/054 206/586
2015/0307230	A1 *	10/2015	Ulrich	B65D 81/054 53/399
2016/0059433	A1 *	3/2016	Ulrich	B26F 1/12 29/897

* cited by examiner

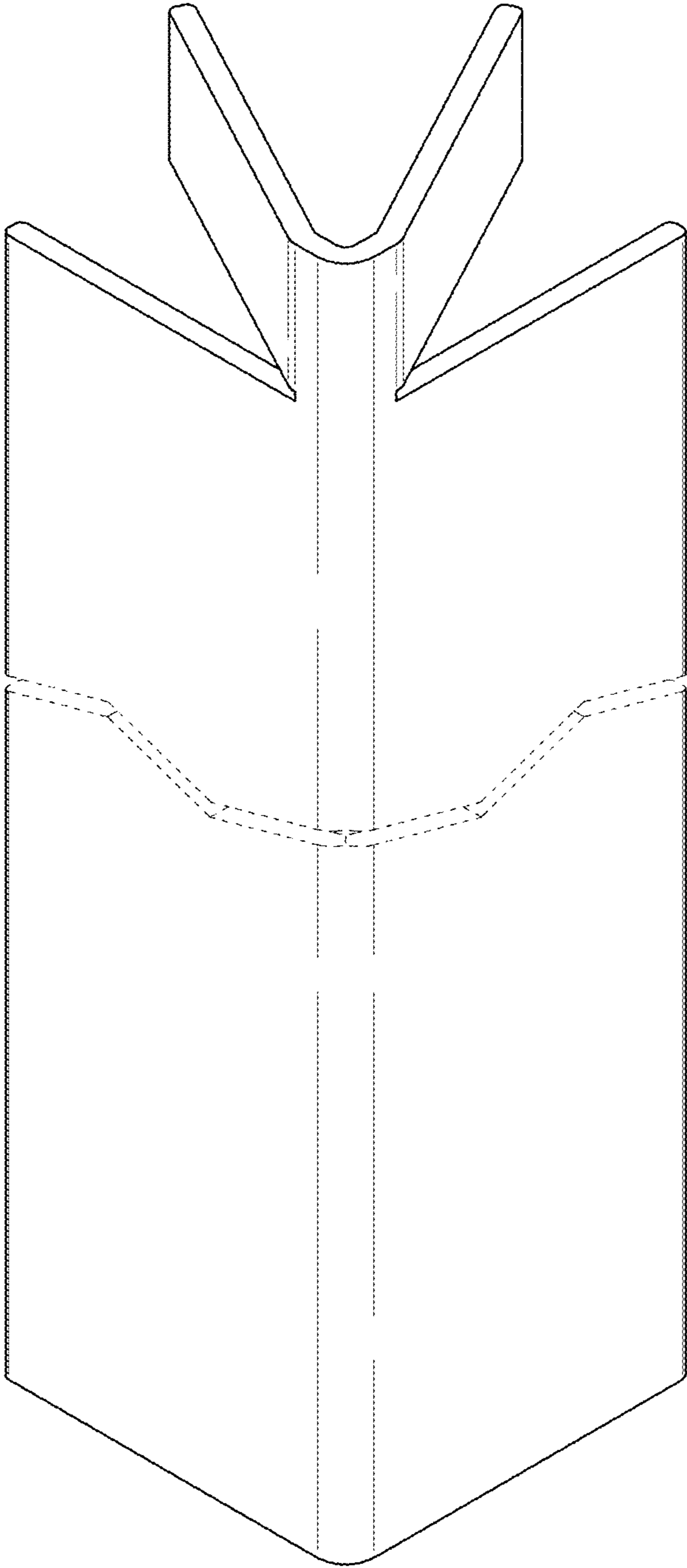


FIG. 1

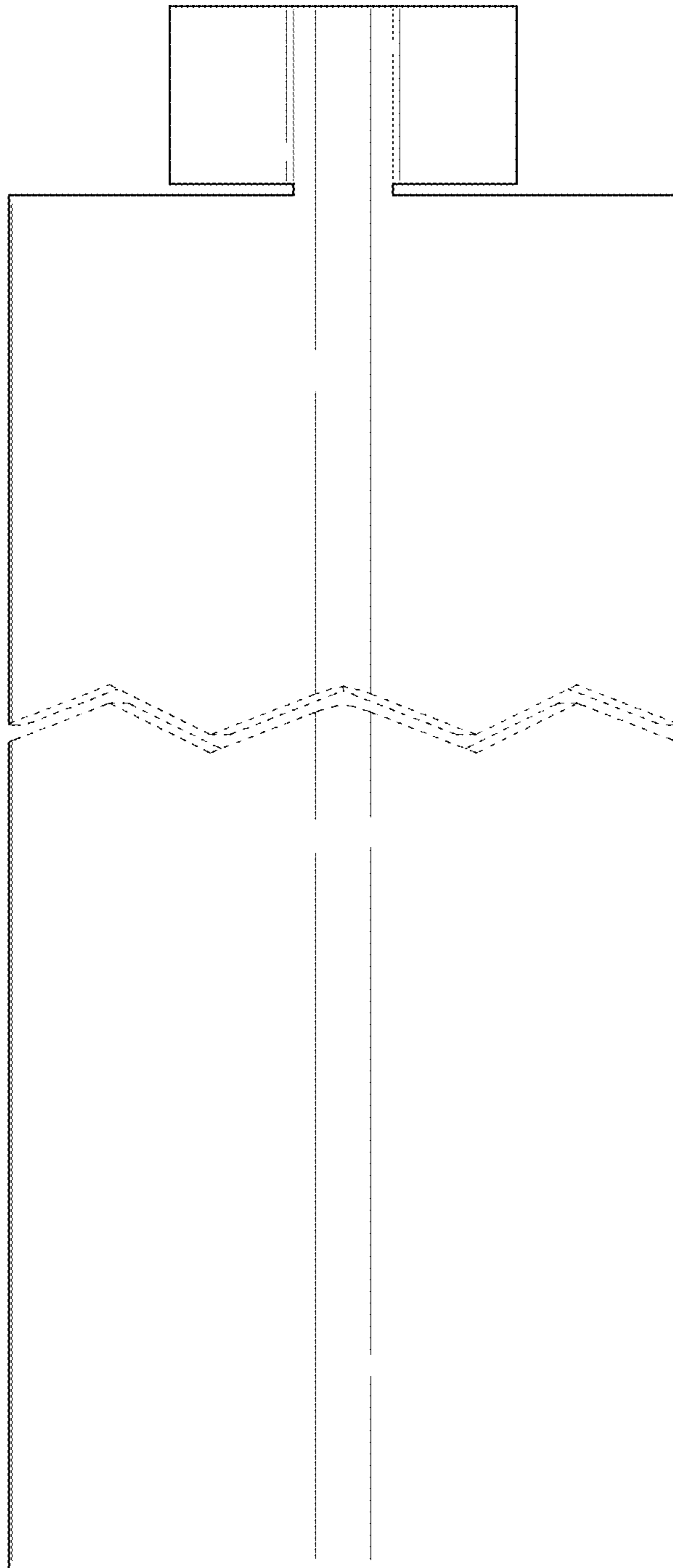


FIG. 2

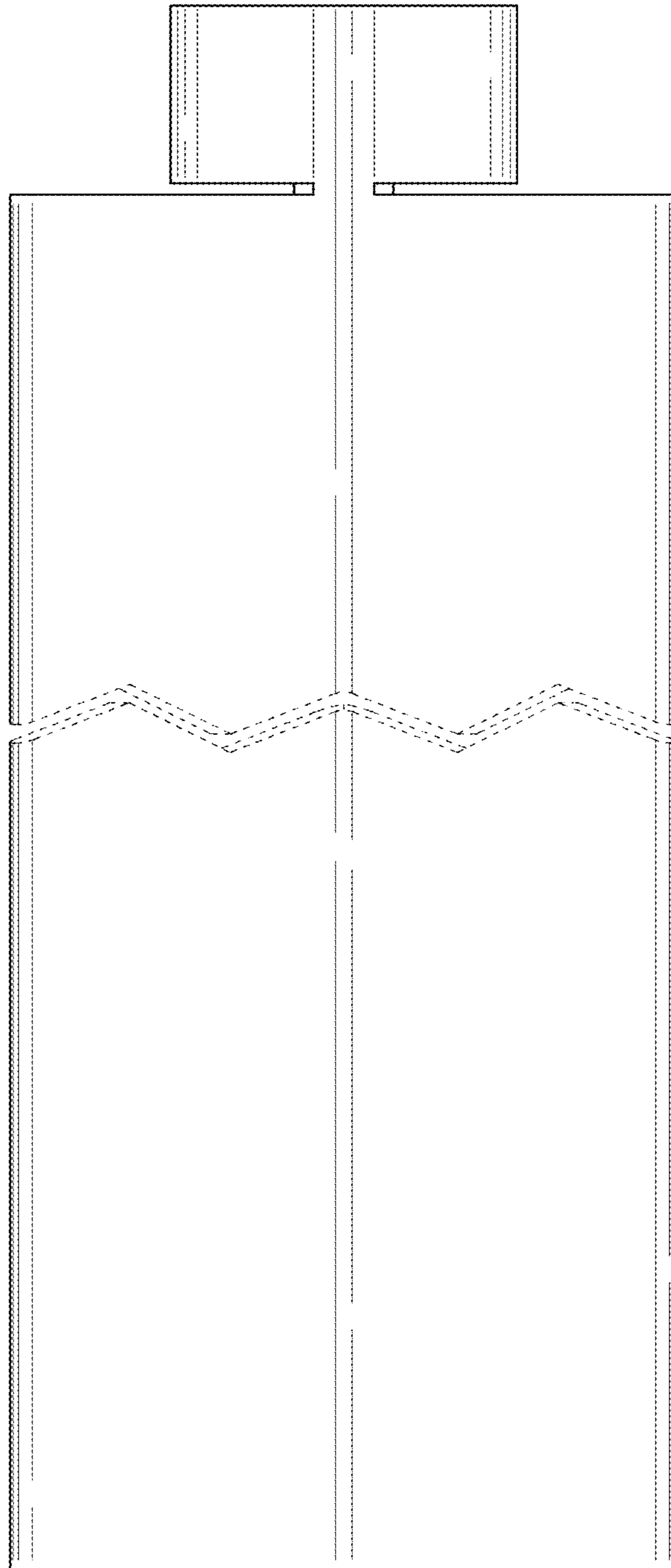


FIG. 3

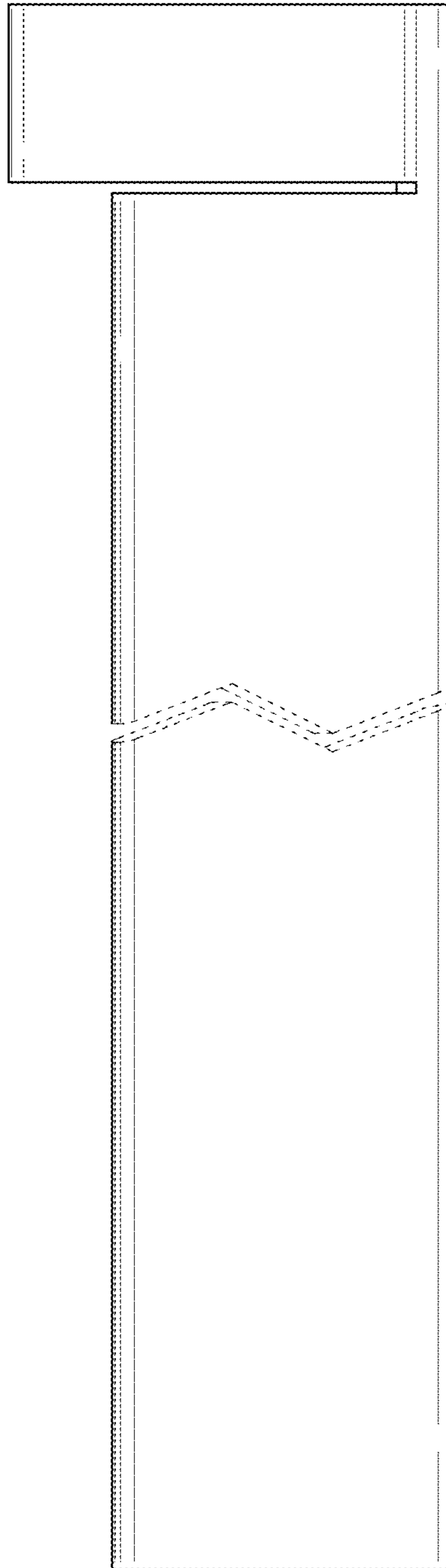


FIG. 4

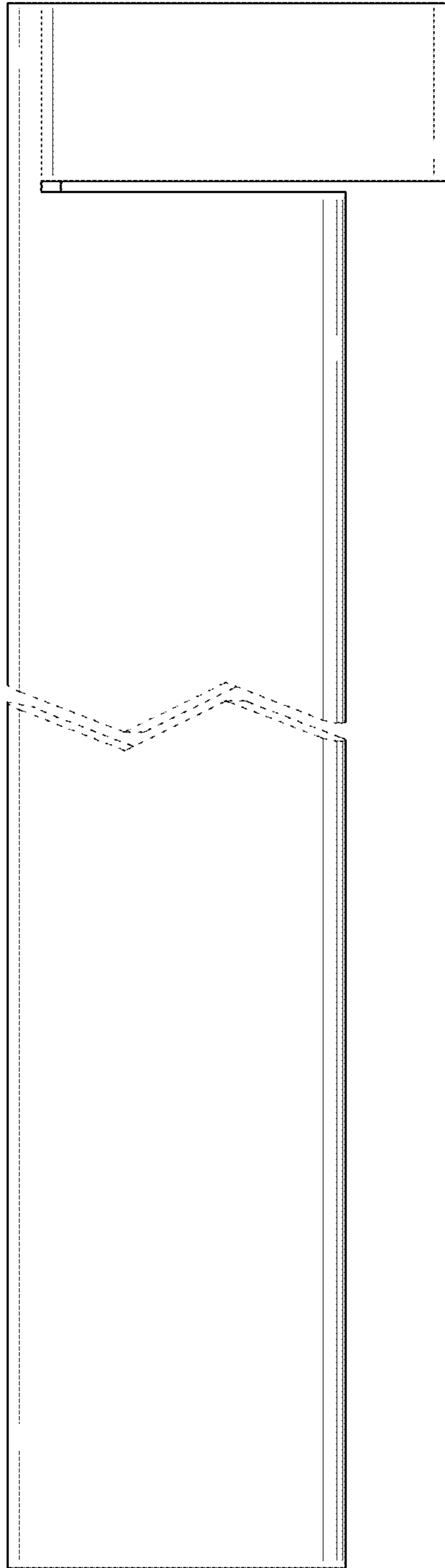


FIG. 5

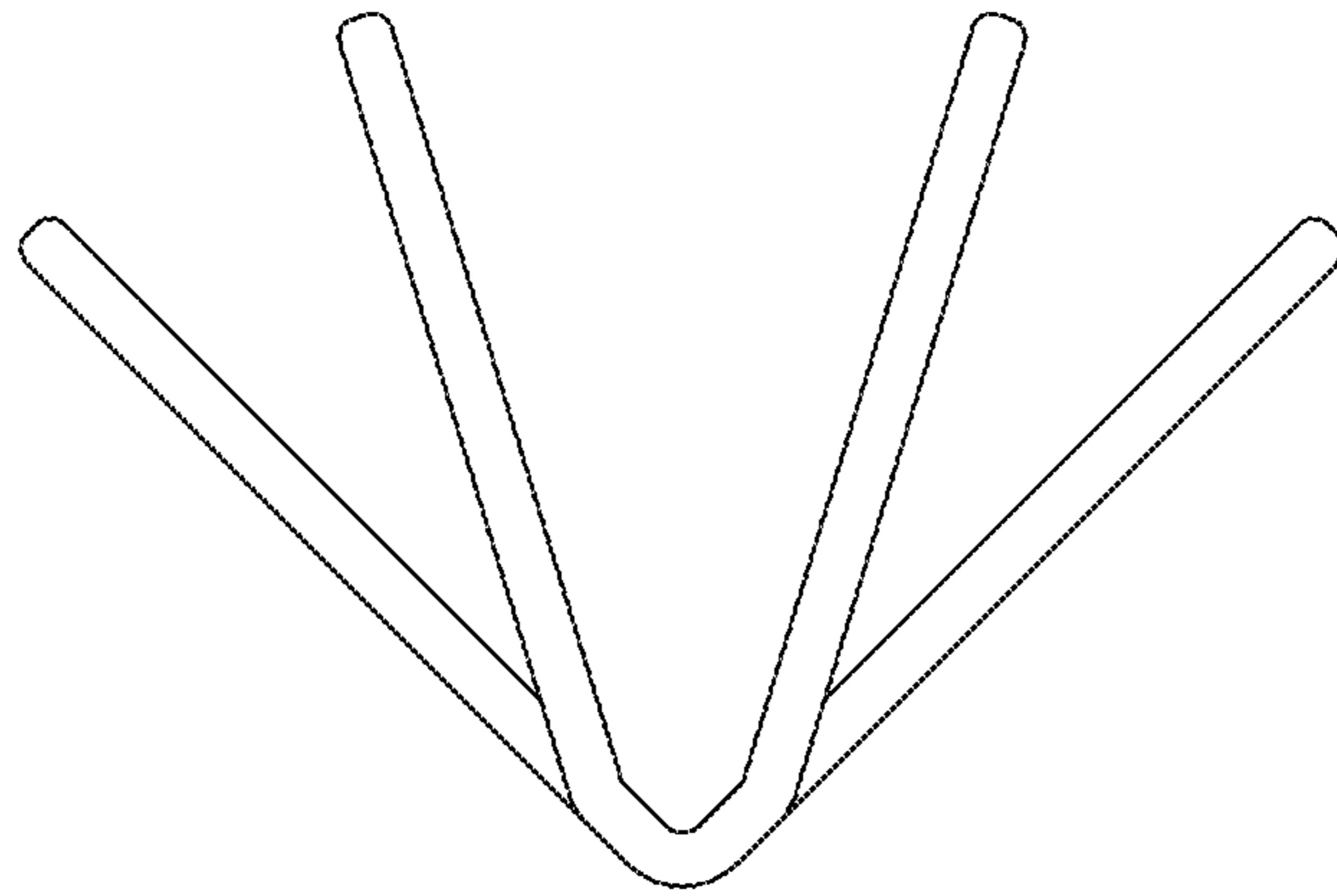


FIG. 6

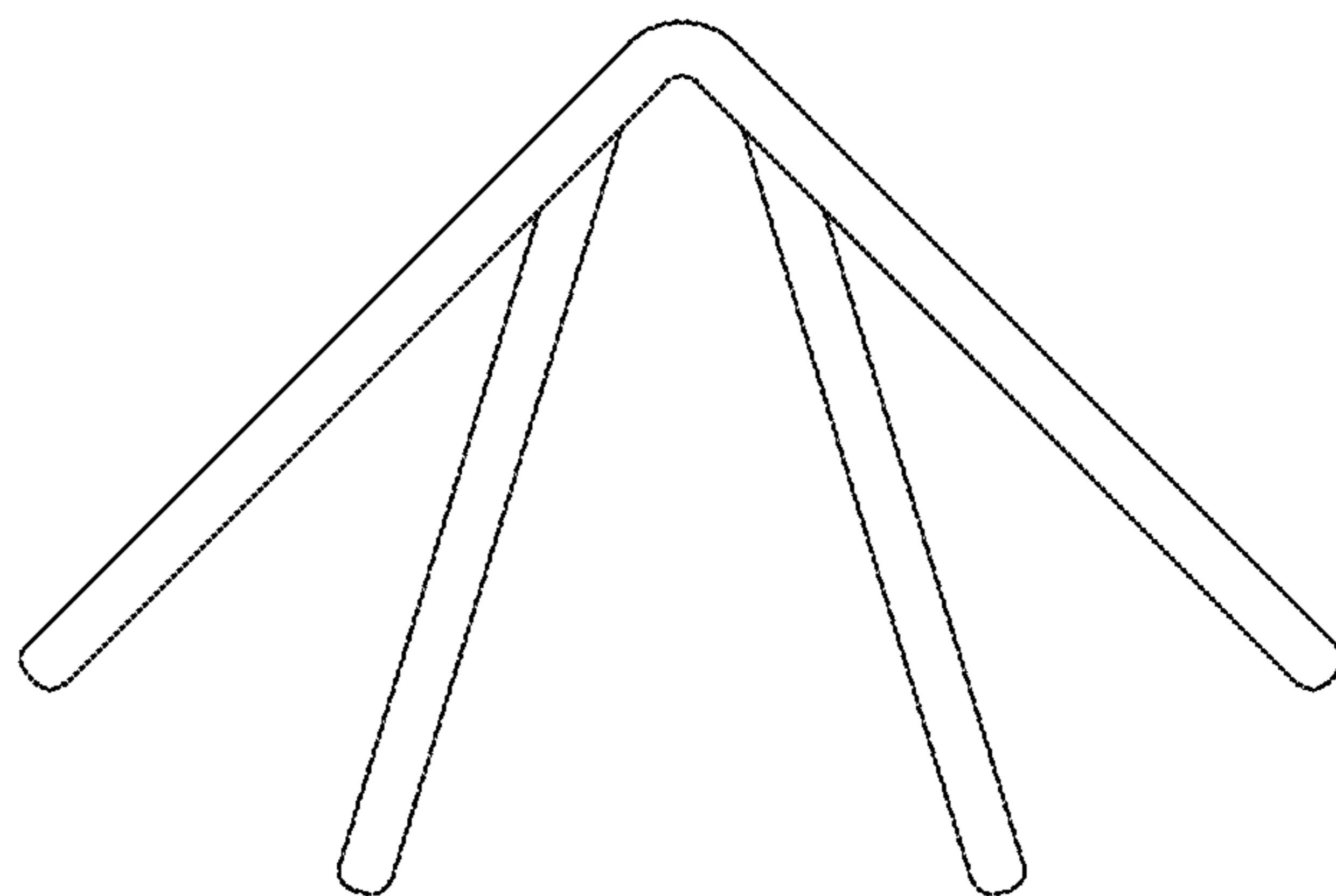


FIG. 7